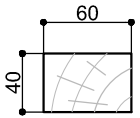

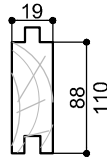
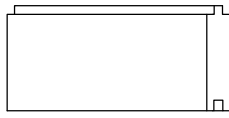
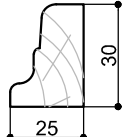





OPTION

Dim.	Skizze, sketch	Pos.	Länge, Length, mm	Qte.	Name	Ref.
		Ⓐ	1910	4	Fundamentbalken Foundation beam	283074
		Ⓑ	2840	16		283073
		Ⓓ	400	10		283084
				Ⓒ	3730	65+1 (52+1)
		Ⓔ	3750 (1880)	4 (8)	Bodenleiste Baseboard	283258
		Ⓕ	3940 (1970)	1 (2)	Bodenleiste Baseboard	283313
		Ⓖ	1750	1	Bodenleiste Baseboard	283314
		Ⓗ	2200	2	Bodenleiste Baseboard	283300

	Pos.	Dim	Qté.
		Ø5.0 x 100	56
		Ø3.5 x 40	50
		Ø2.0 x 50	520