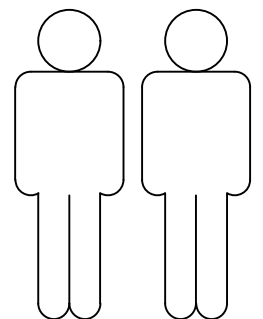
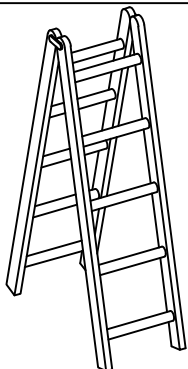
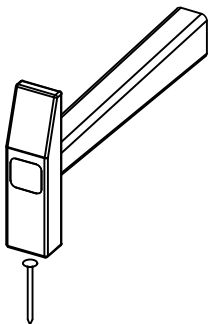
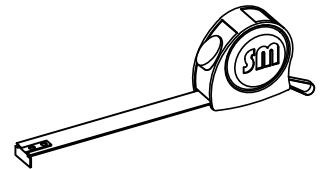
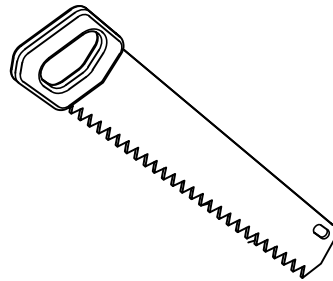
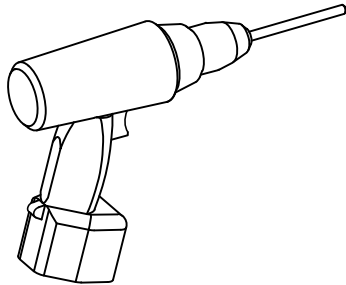
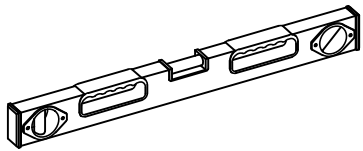
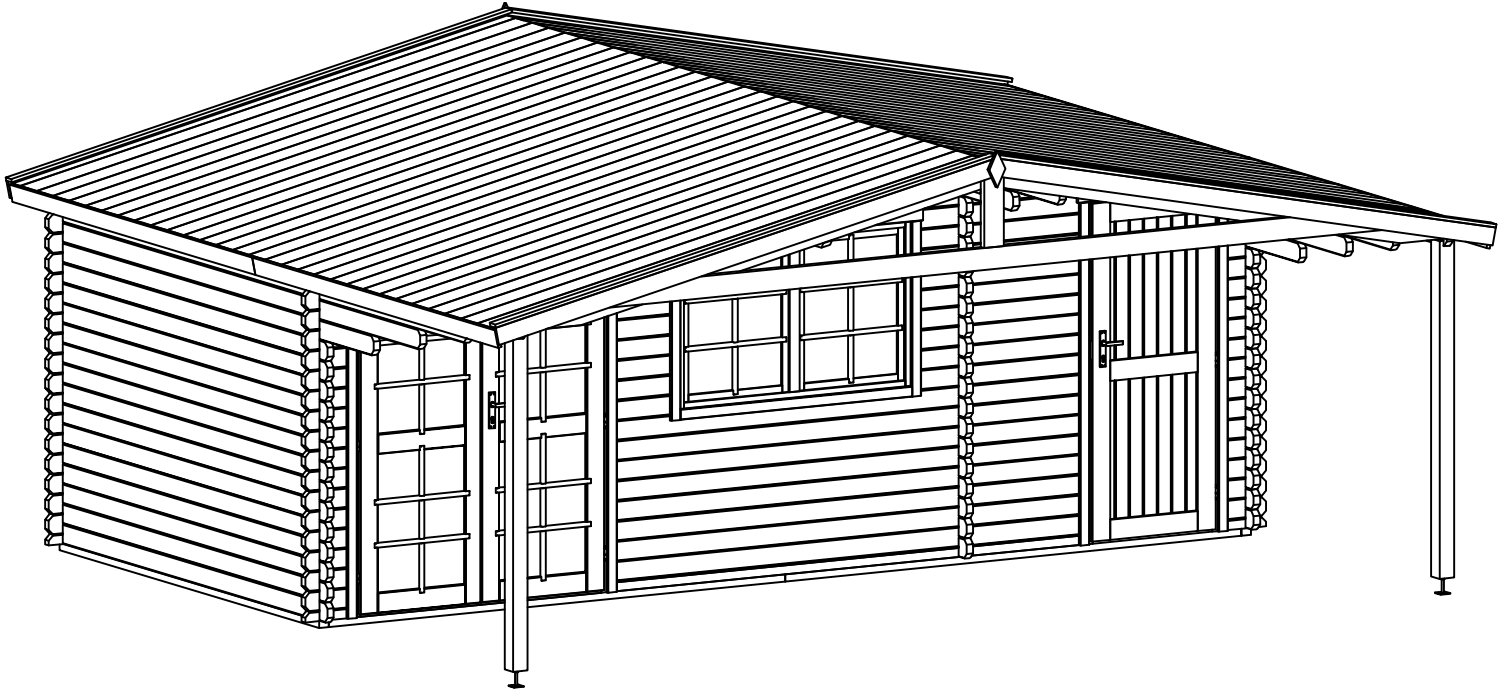


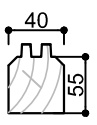
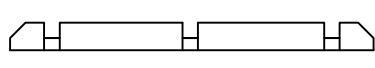
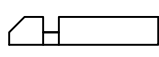
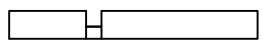
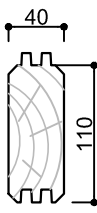
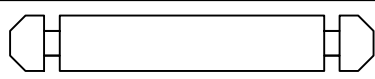
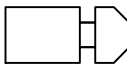
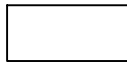
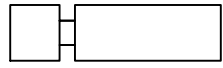
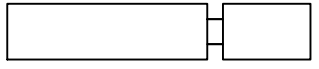
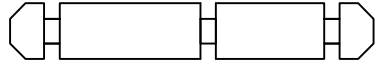
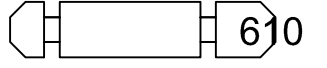
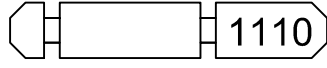
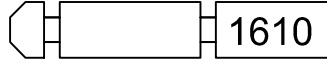
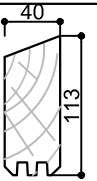
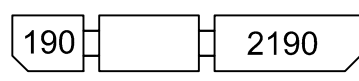
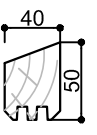
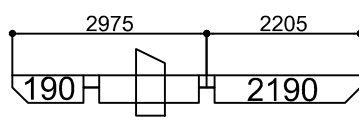
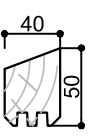
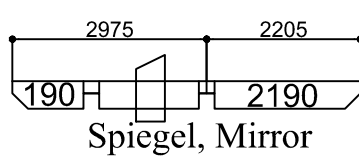
→||←40mm

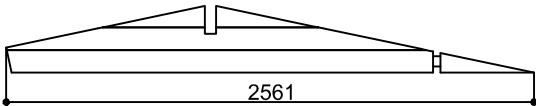
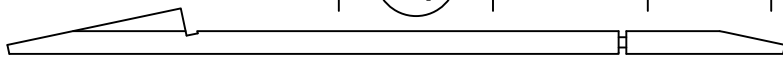
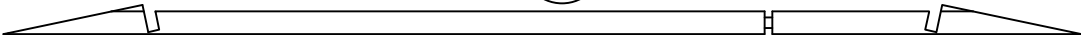
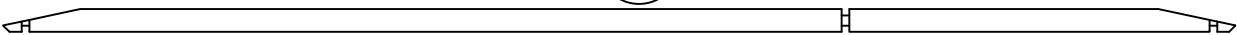
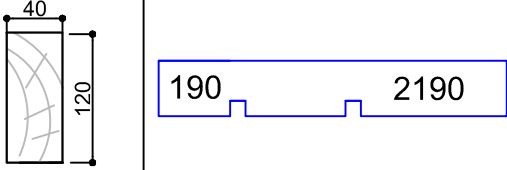
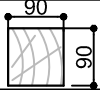
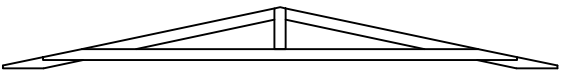
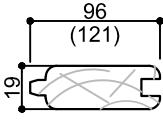
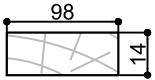
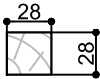
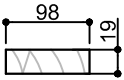
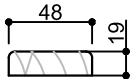
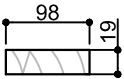
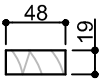
5,98 x 2,98+2,1

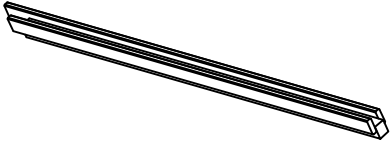
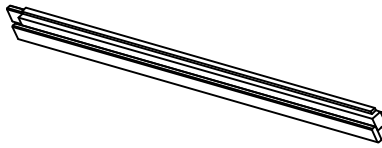

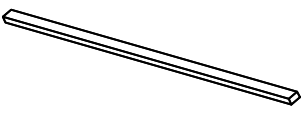
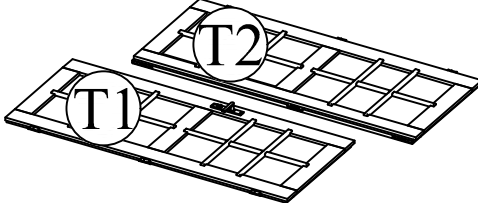
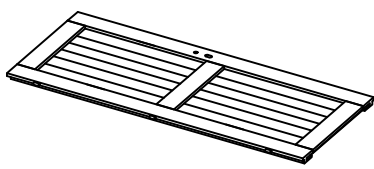
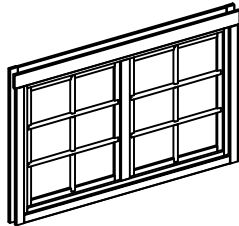
40057

DE  
ENG

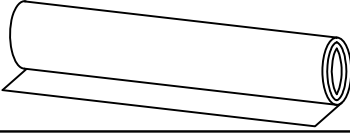
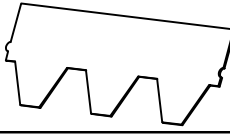


Dim.	Skizze, sketch	Pos.	Länge, Length, mm	Qte.	Name	Ref.
		①	5980	1	Zurück Brett Back board	400384
		②	285	2	Front Brett Front board	400038
		③	2935	1	Front Brett Front board	400388
		④	2980	46+1	Seiten Brett Side board	400121
		⑤	285	34	Front Brett Front board	400039
		⑥	390	9	Front Brett Front board	400253
		⑦	1035	9	Front Brett Front board	400386
		⑧	2935	8	Zurück Brett Back board	400387
		⑨	5980	17+1	Zurück Brett Back board	400385
		⑩	3500	3	Seiten Brett Side board	400163
		⑪	4000	3	Seiten Brett Side board	400164
		⑫	4500	3	Seiten Brett Side board	400165
		⑬a	5180	1	Seiten Brett Side board	401026
		⑬b	5180	1		401027
		⑭	2975	1	Seiten Brett Side board	401063
		⑭a	2205	1	Seiten Brett Side board (Spiegel, Mirror)	401064
		⑭ <sup>M</sup>	2975	1	Seiten Brett Side board	401065
		⑭a <sup>M</sup>	2205	1	Seiten Brett Side board (Spiegel, Mirror)	401066

	18	2560	2	Front/Zurück Brett Front/Back board	402054
	17	3775	2	Front/Zurück Brett Front/Back board	402055
	16	5230	2	Front/Zurück Brett Front/Back board	402056
	15	5980	2	Front/Zurück Brett Front/Back board	402057
	19	5180	4	Sparren Rafter	404034
	20	1960	2	Pfosten Post	287103
	21	660 x5980	1	Wandpaneel Wall panel	402014
	22	3150	118+2 (94+2)	Dach Bretter Roof board	284510
	23a	2590	4	Leiste Latte	286065
	23b	2590	4	Leiste Latte	286066
	24	3180	4	Wind Brett Wind board	285015
	25	3180	4	Wind Brett Wind board	286511
	26	200	2	Dekor Decor	286990
	27	2100	4	Wind Brett Wind board	286801

	(TR1)	1963	1	Türrahmen links Door frame left	409224
	(TR5)	1963	1		409228
	(TR6)	1963	1	Türrahmen rechts Door frame right	409225
	(TR2)	1963	1		409225
	(TR3)	1700	1	Über Türrahmen Door frame top	409226
	(TR7)	945	1		409229
	(TR4)	1500	1	Türstufe Door frame bottom	409227
	(TR8)	745	1		409230
	(T1)	1850x 765	1	Tür Doors	289006
	(T2)	1850x 765	1		289006
	(T3)	1850x 765	1	Tür Doors	289015
	(F1)	1576x 1076	1	Fenster Window	409102

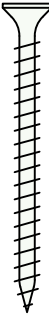
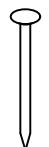
**OPTION**

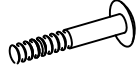


	(28)		7	Rubberoid Black bitumen	285519
	(28)		14	Bitumen Schindeln Shingle	285520

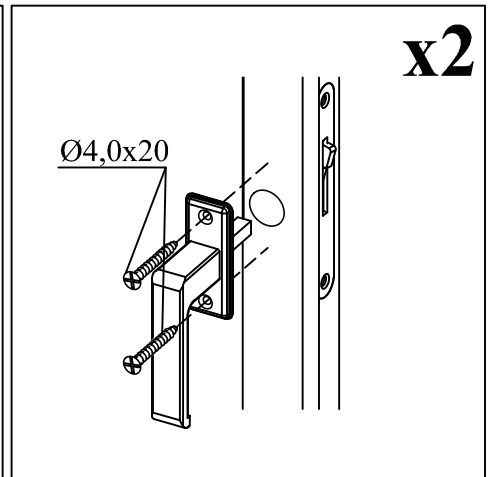
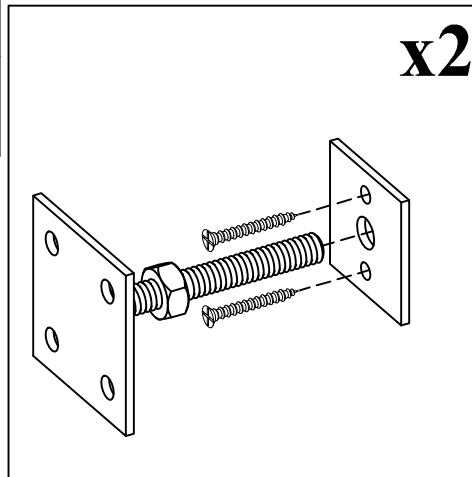
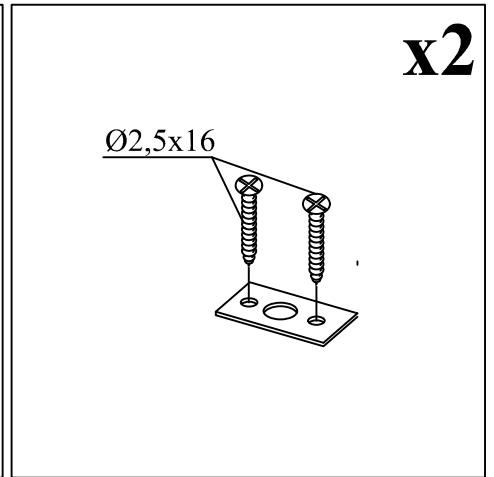
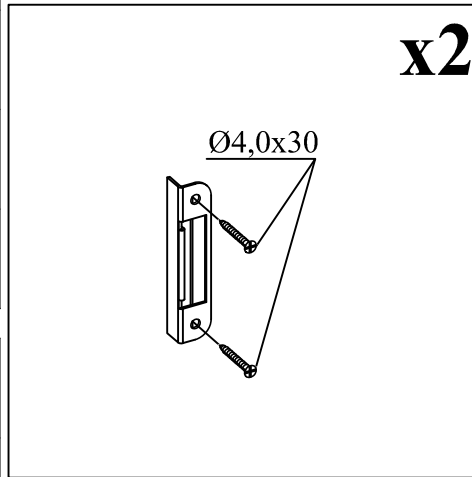
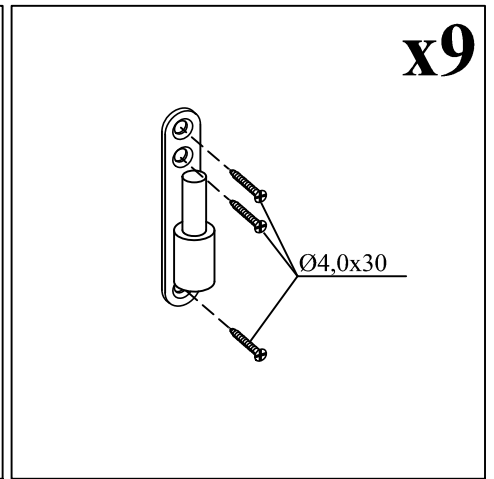
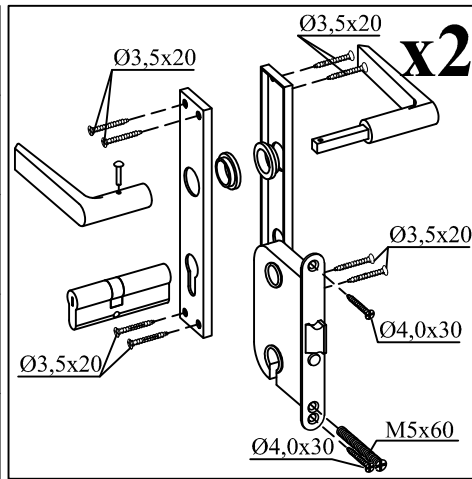
→||←40mm

5,98 x 2,98+2,1

**40057**

	Pos.	Dim	Qté.
		Ø5.0 x 100	8
		Ø3.5 x 40	94
		Ø5.0 x 120	12
		Ø4.0 x 60	8
		Ø2.0 x 40	480

	M6 x 80	4
		8
	M6	4

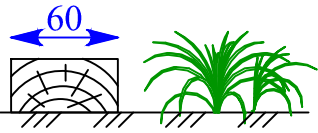


**OPTION**

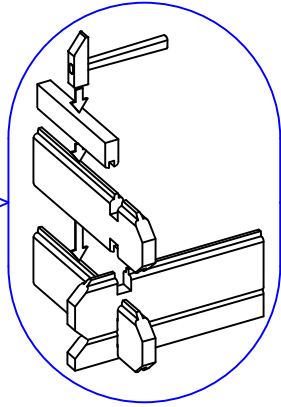
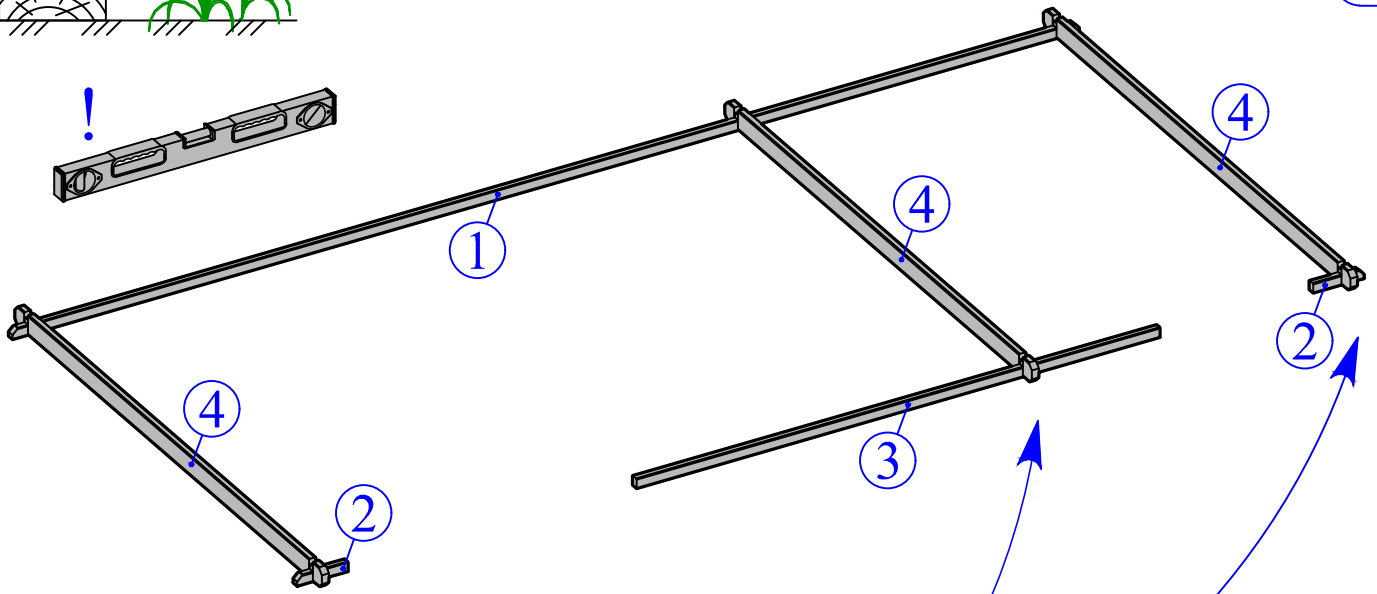
→||←40mm

5,98 x 2,98+2,1

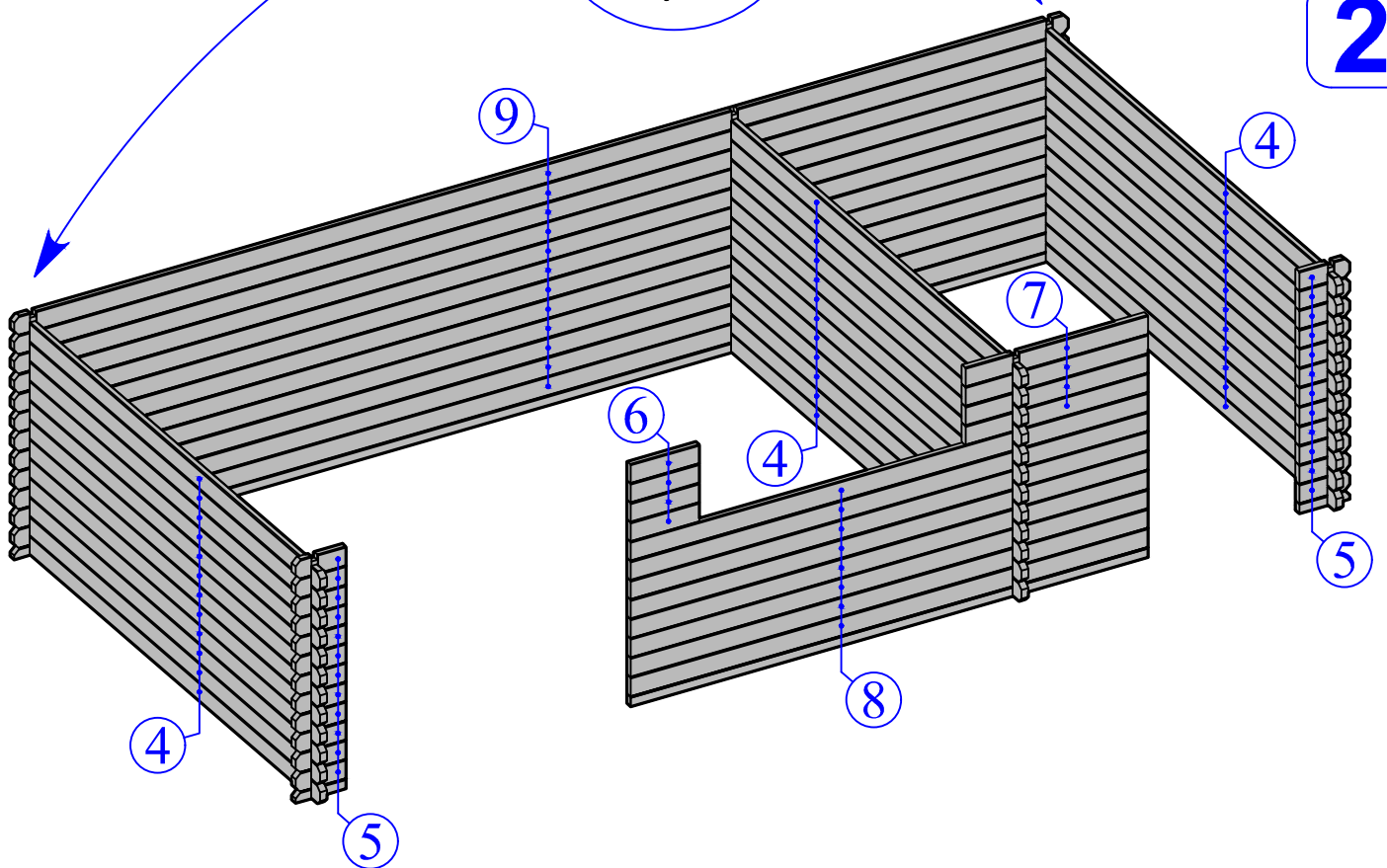
**40057**



**1**



**2**



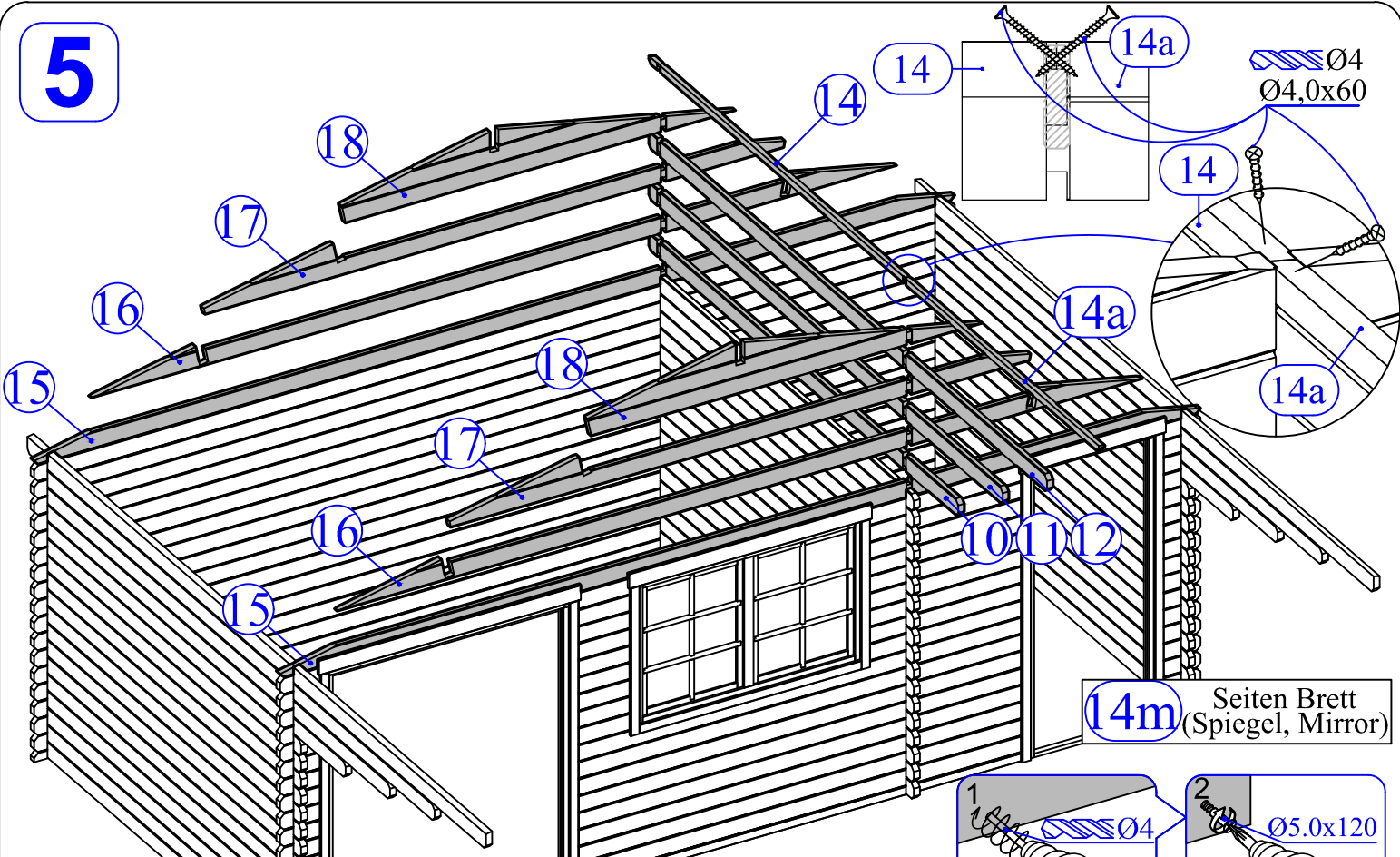


→||←40mm

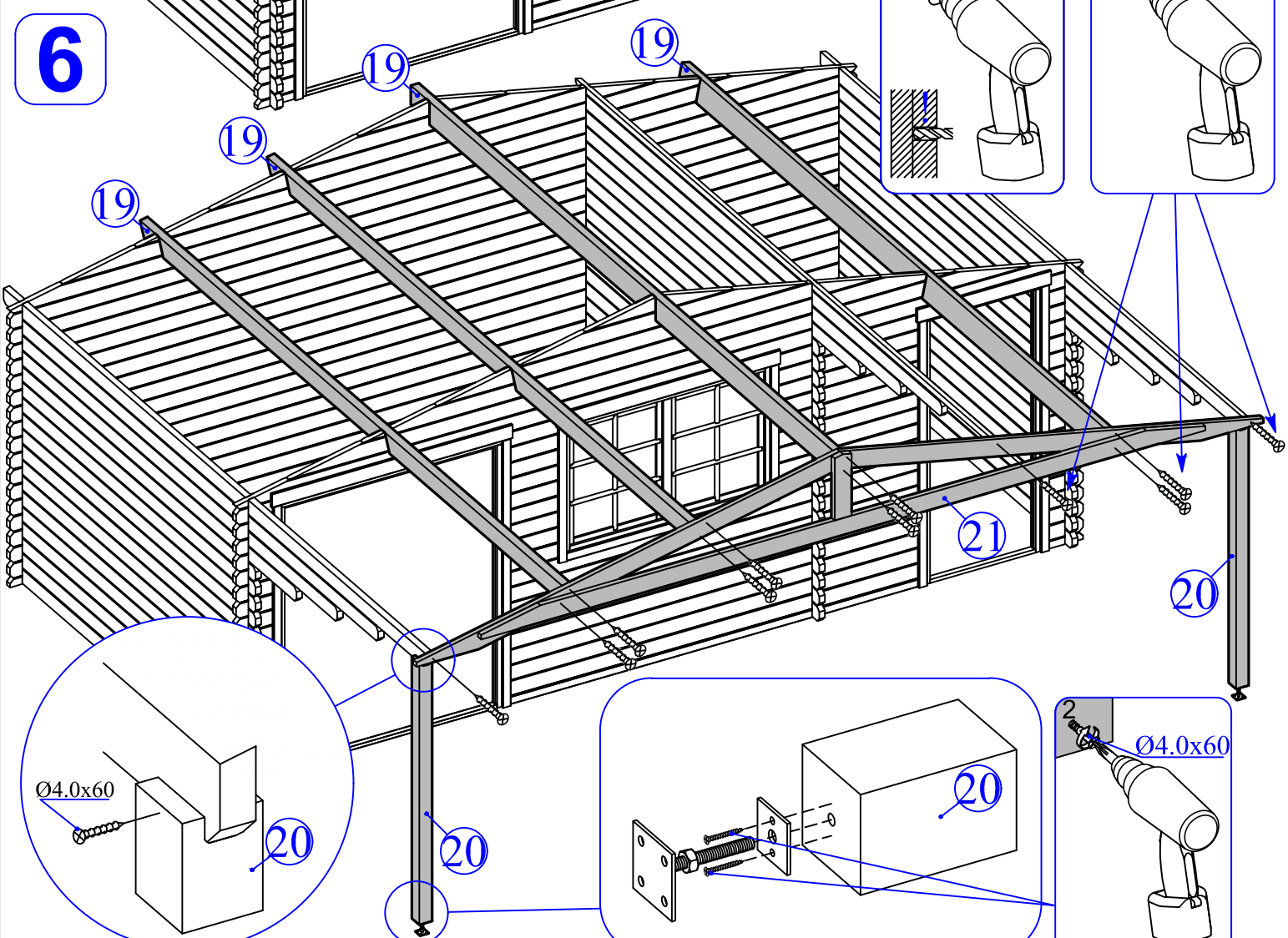
5,98 x 2,98+2,1

**40057**

**5**



**6**

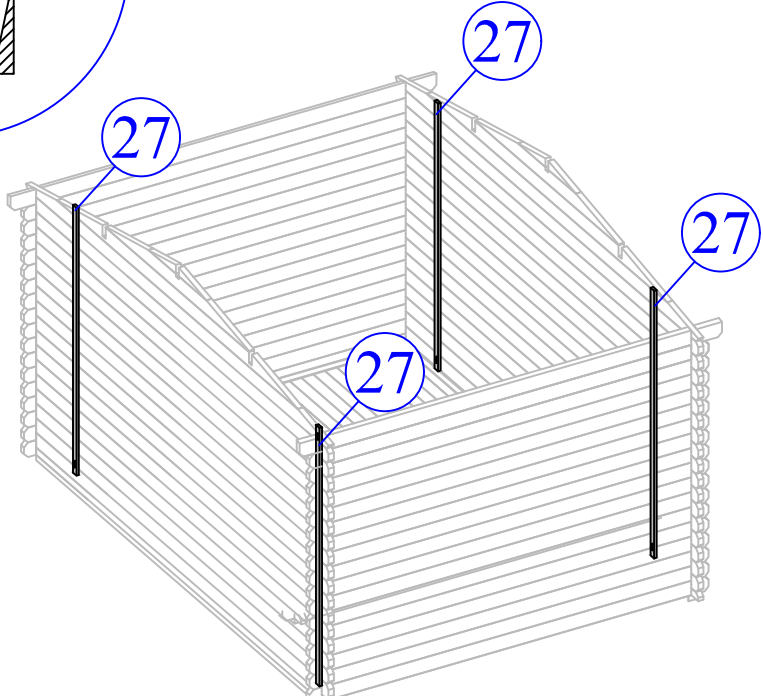
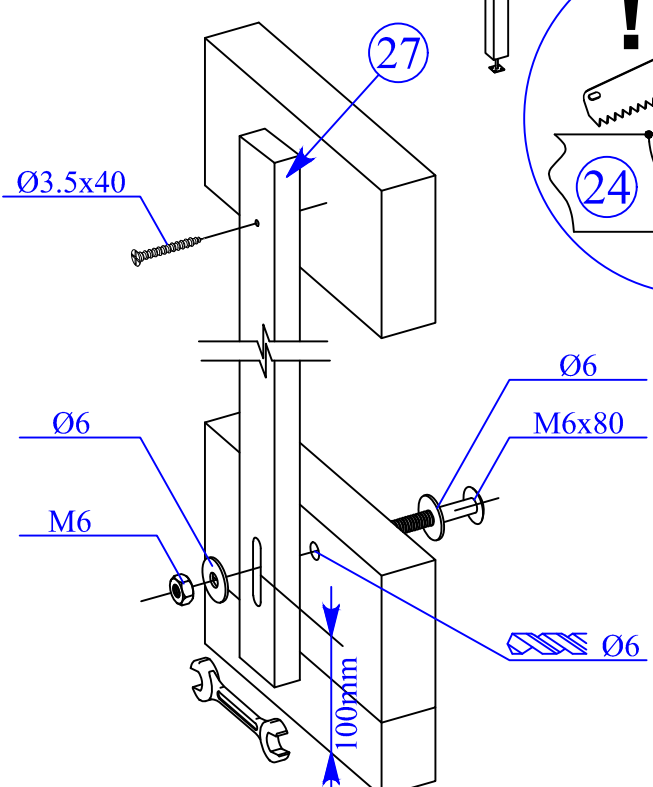
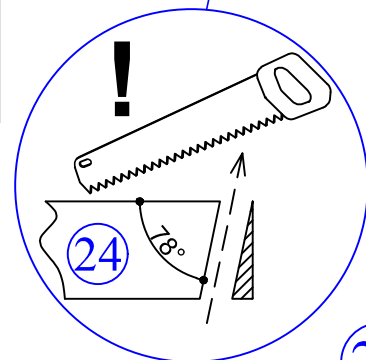
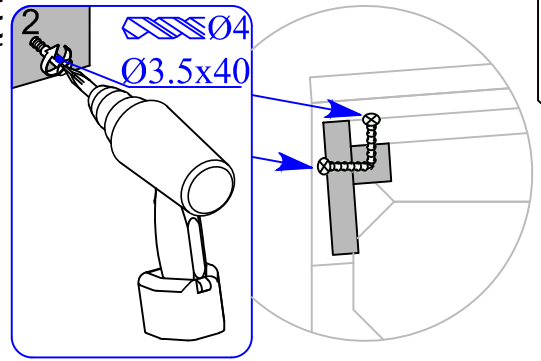
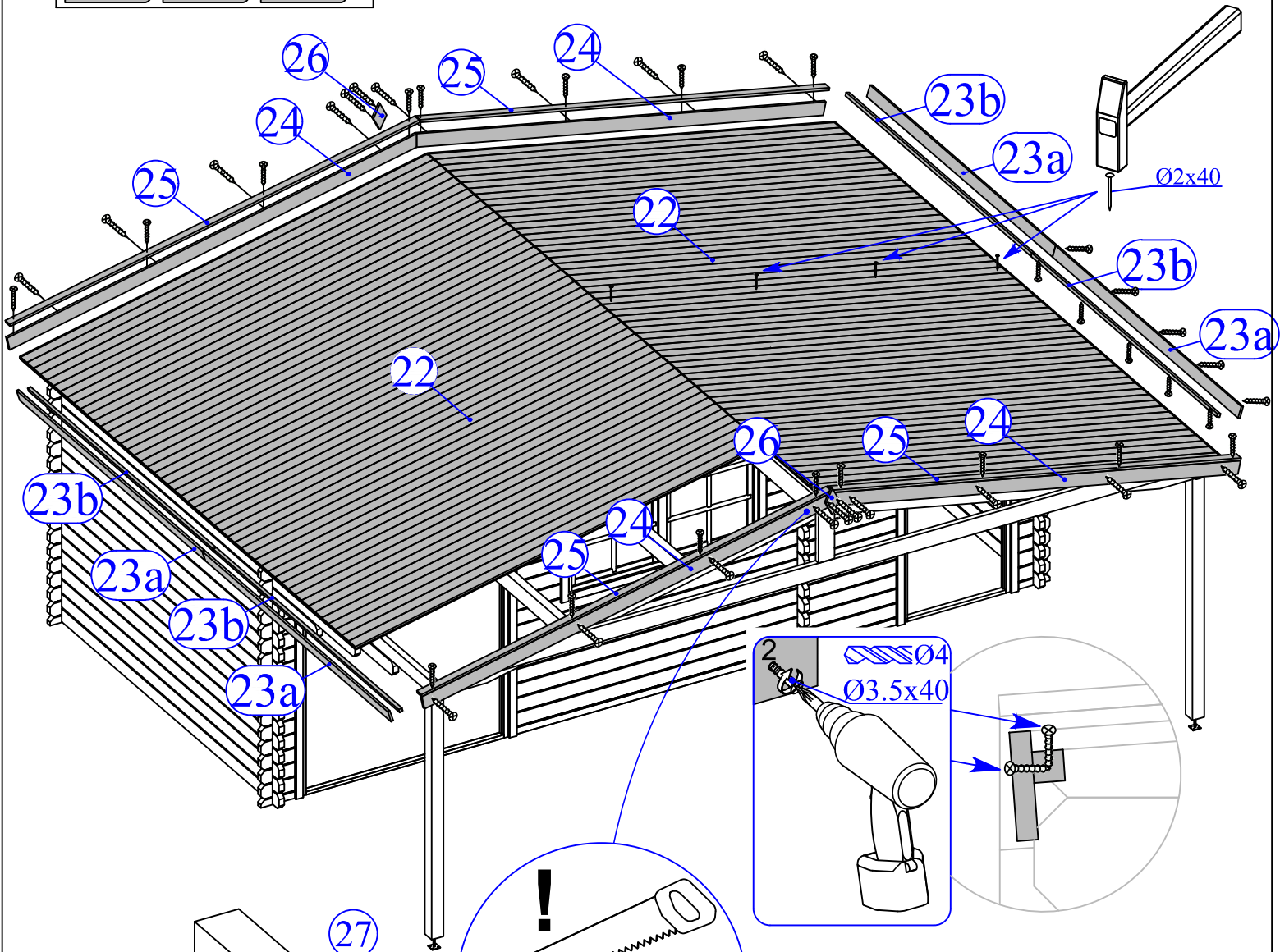
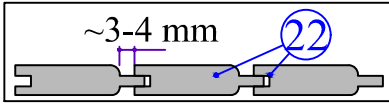


→||←40mm

5,98 x 2,98+2,1

40057

7





→ || ← 40mm

5,98 x 2,98+2,1

40057

