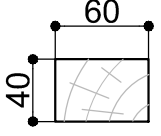

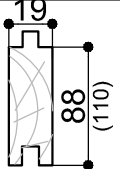
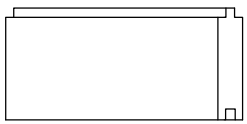
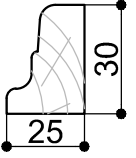
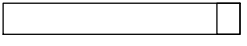
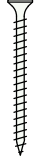



## OPTION

Dim.	Skizze	Pos.	Länge	Quantity	Name
		Ⓐ	3720	2	Fundamentbalken Foundation beam
		Ⓑ	3600	8	
		Ⓒ	3650	42+1 (34+1)	Boden Bretter Floor board
		Ⓓ	3670	2	Bodenleiste Baseboard
		Ⓔ	1615	1	
		Ⓕ	425	1	
		Ⓖ	3670	1	

	Pos.	Dim	Qté.
		Ø5.0 x 100	16
		Ø3.5 x 40	20
		Ø2.0 x 50	250