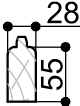
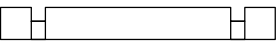
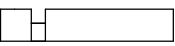
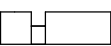
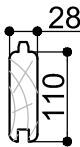
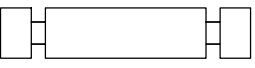
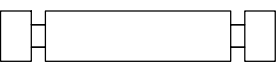
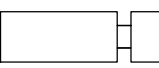
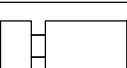
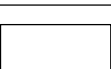
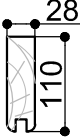
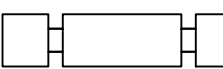
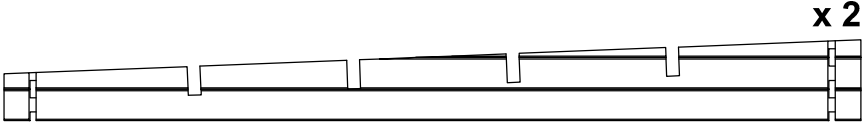
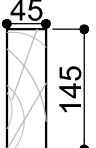
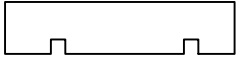
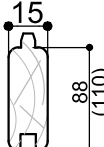
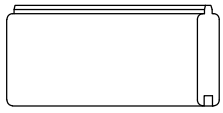
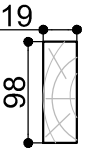
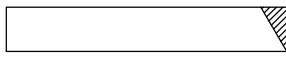
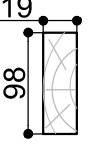
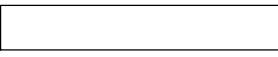
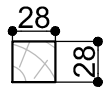
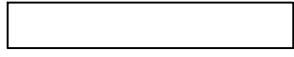
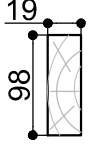
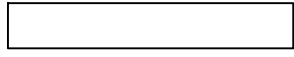
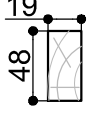
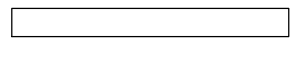
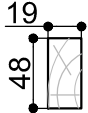
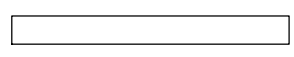
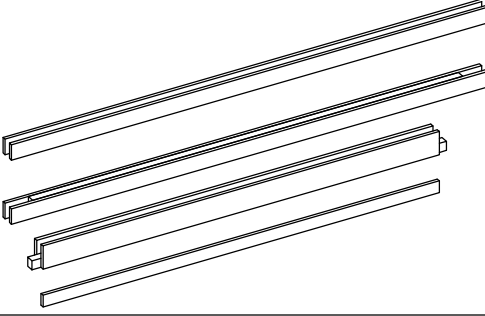
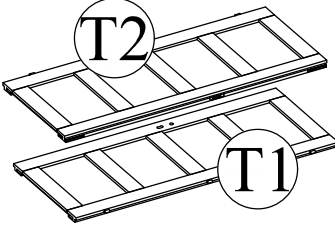
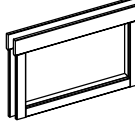
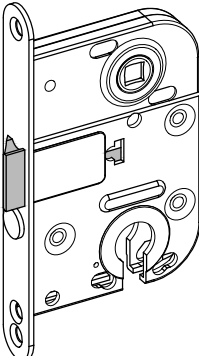
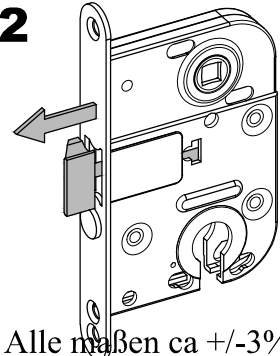
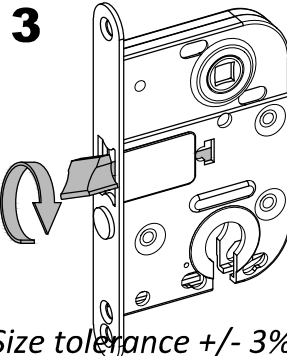
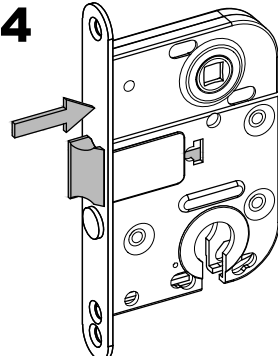
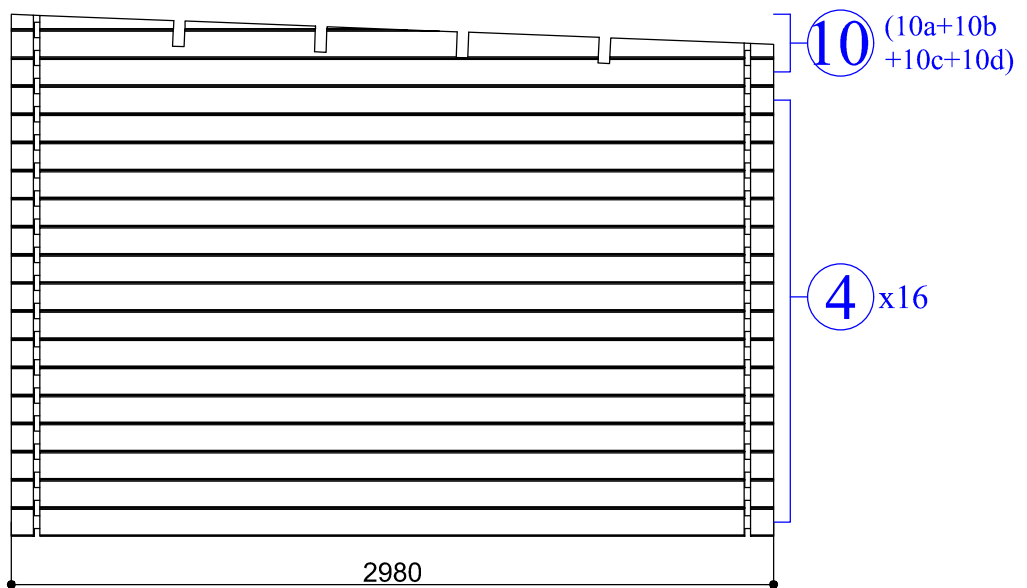
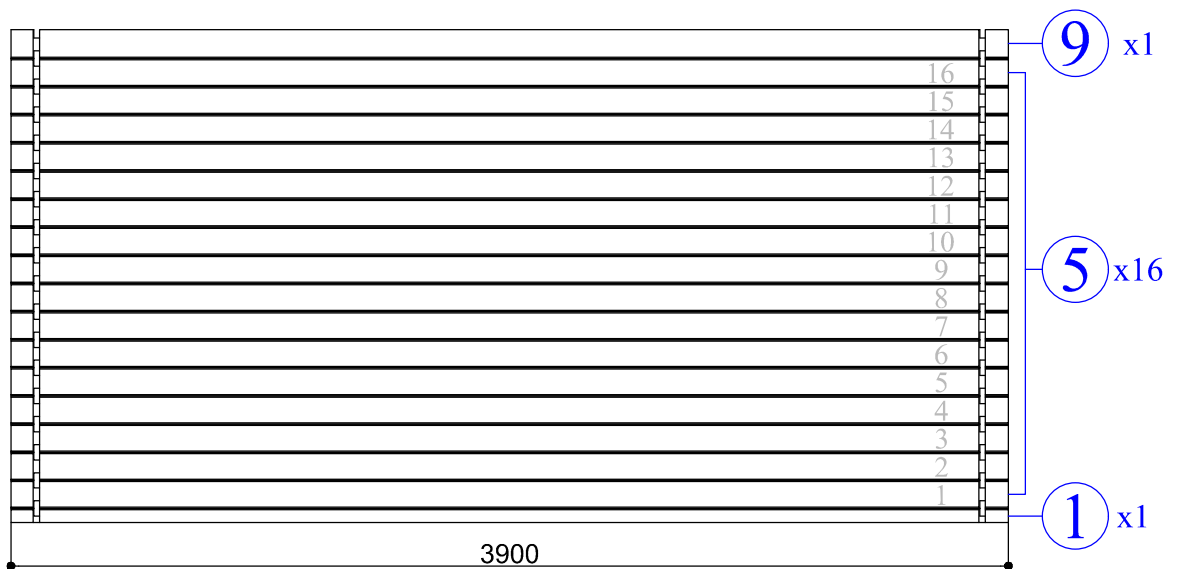
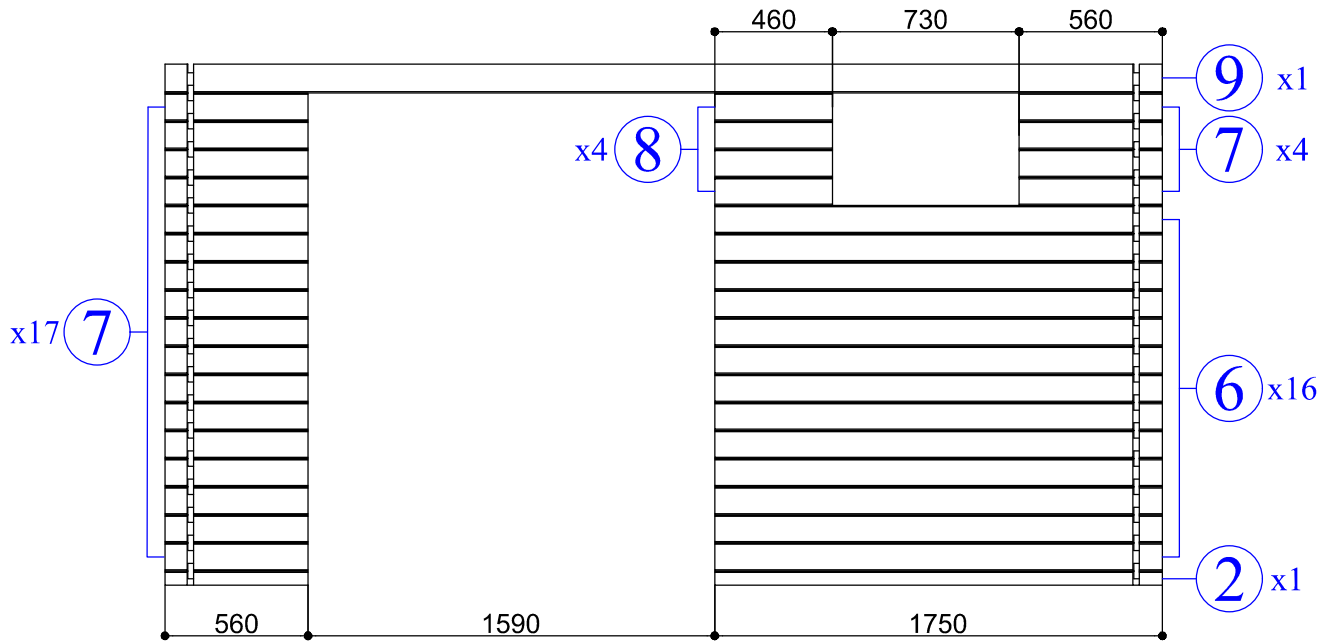
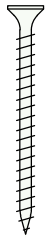



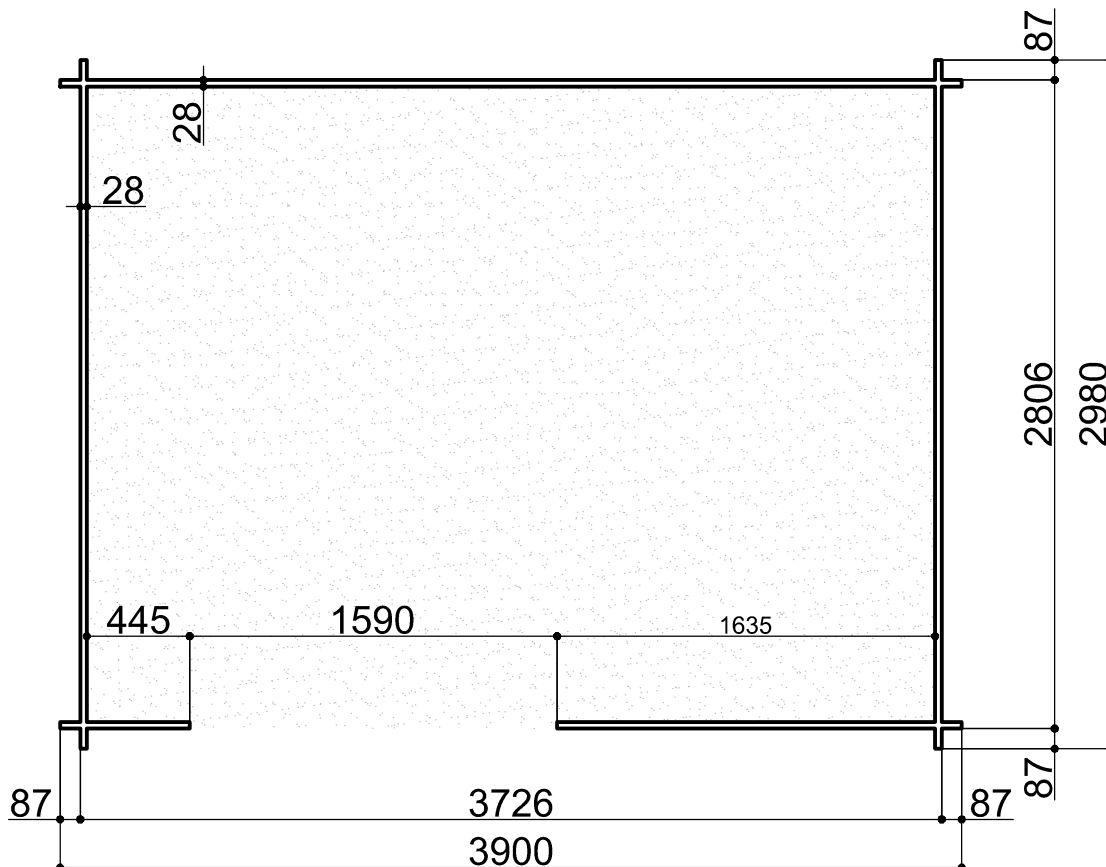
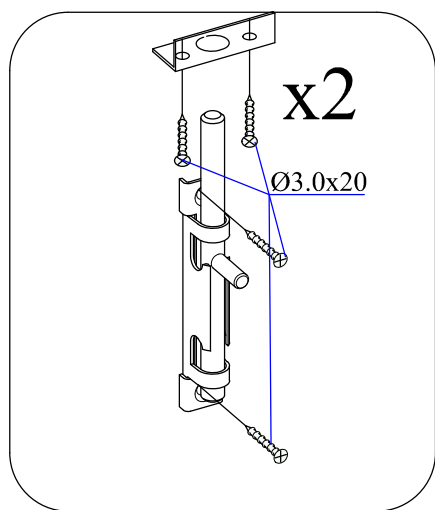
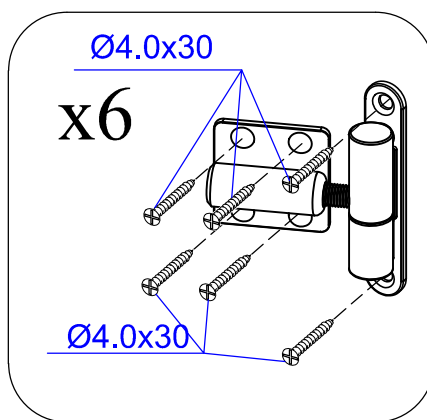
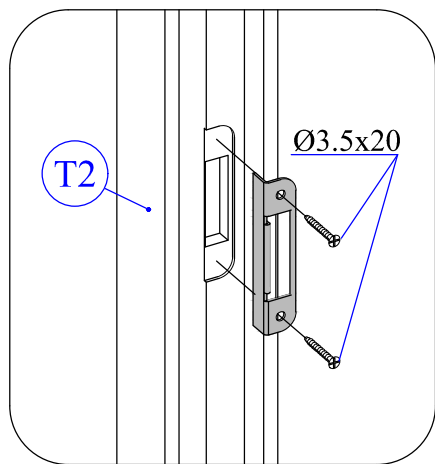
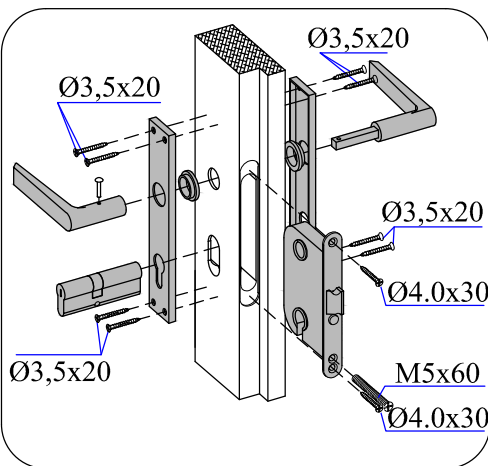
Dim.	Skizze, Sketch	Pos.	Länge, Length,mm	Quantity Quantite	Name, Name		
		①	3900	1	Zurück Brett Back board		
		②	1750	1	Front Brett Front board		
		③	560	1	Front Brett Front board		
		④	2980	32+1	Seiten Brett Side board		
		⑤	3900	16+1	Zurück Brett Back board		
		⑥	1750	13	Front Brett Front board		
		⑦	560	21	Front Brett Front board		
		⑧	460	4	Front Brett Front board		
		⑨	3900	2	Seiten Brett Side board		
					⑩	(10a+10b+10c+10d)	
		⑪	3900	4	Sparren Rafter		
		⑫	3050	45+1 (35+1)	Dachbretter Roof board		
		⑬	3100	2	Wind Brett Wind board		
		⑭	3938	1	Wind Brett Wind board		

Dim.	Skizze, Sketch	Pos.	Länge, Length,mm	Quantity Quantité	Name, Name		
		15	1950	2	Wind Brett Wind board		
		16	1950	2	Wind Brett Wind board		
		17	3070	2	Wind Brett Wind board		
		18	3938	1	Wind Brett Wind board		
	TR1	1960	1	Türrahmen links Door frame left			
	TR2	1960	1	Türrahmen rechts Door frame right			
	TR3	1580	1	Über Türrahmen Door frame top			
	TR4	1510	1	Türstufe Door frame bottom			
	T1	1850x 765	1	Tür Doors			
	T2	1850x 765	1	Tür Doors			
	F	816x 526	1	Fenster Window			
1		2		3		4	
Alle maßen ca +/-3%, Size tolerance +/- 3%							

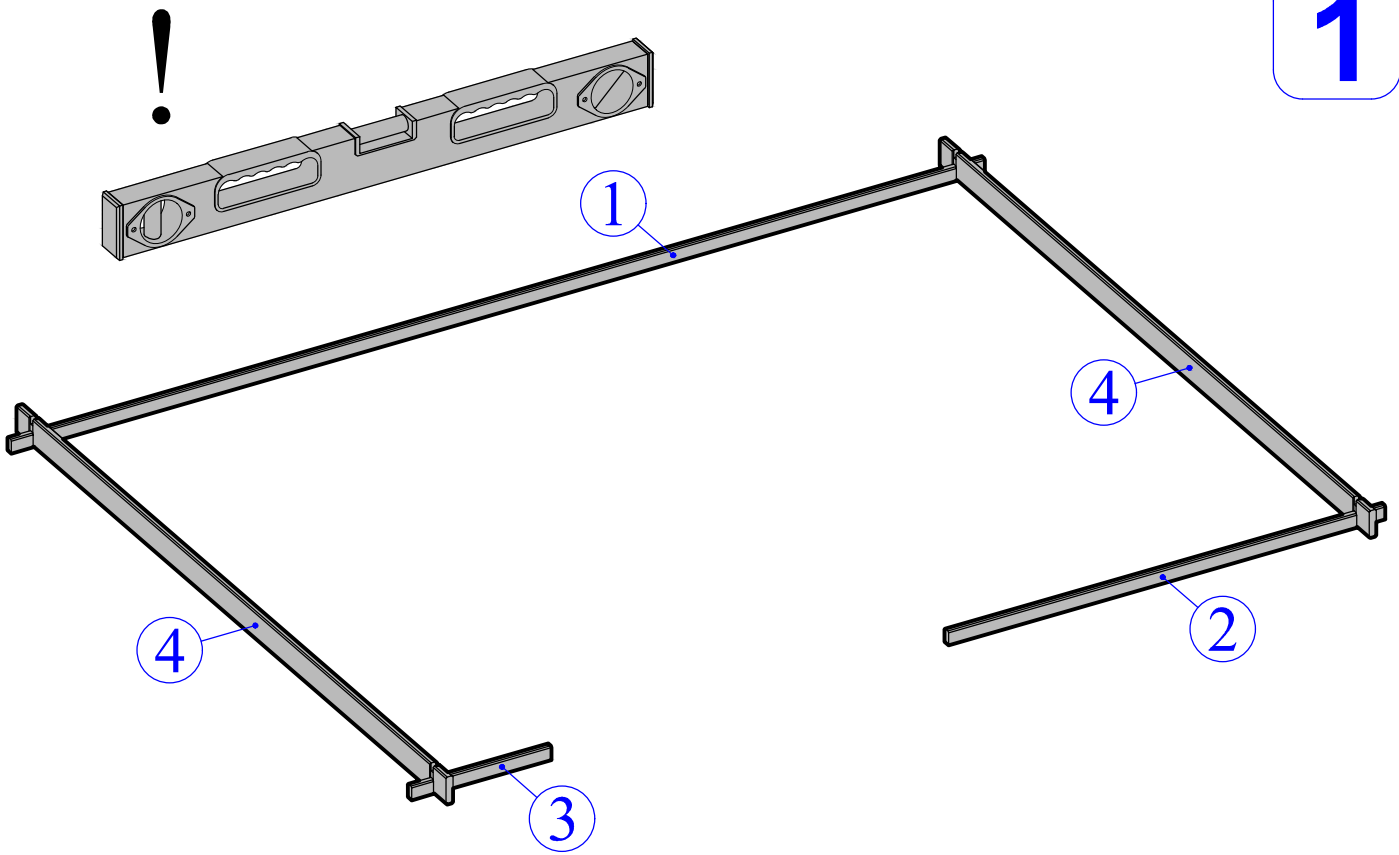


Alle maßen ca +/-3%, Size tolerance +/- 3%

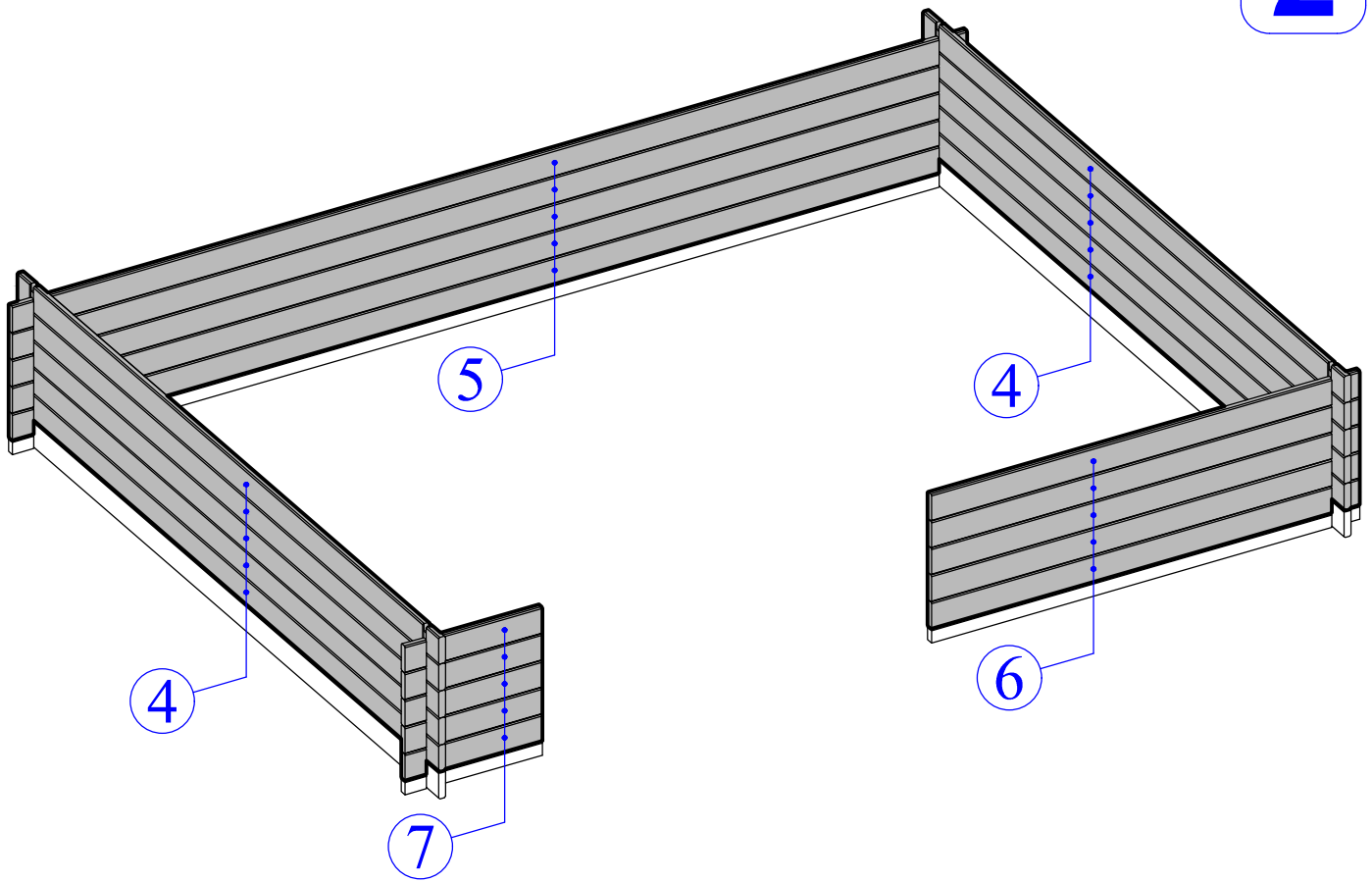
	Pos.	Dim	Stck.
		Ø5.0 x 100	4
		Ø3.5 x 40	62
		Ø2.0 x 40	270



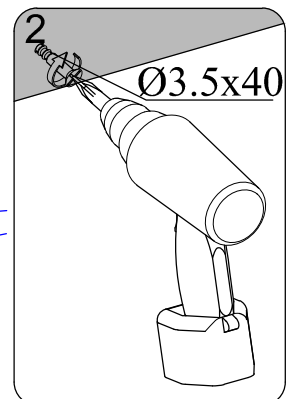
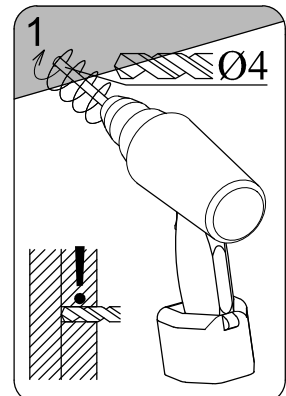
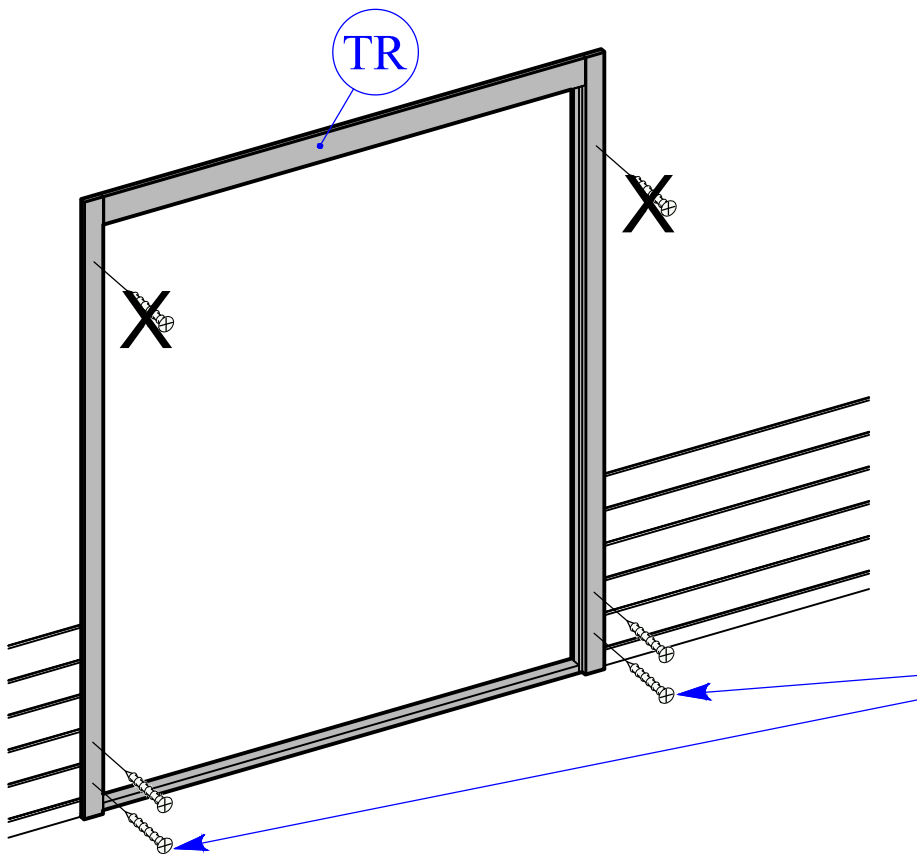
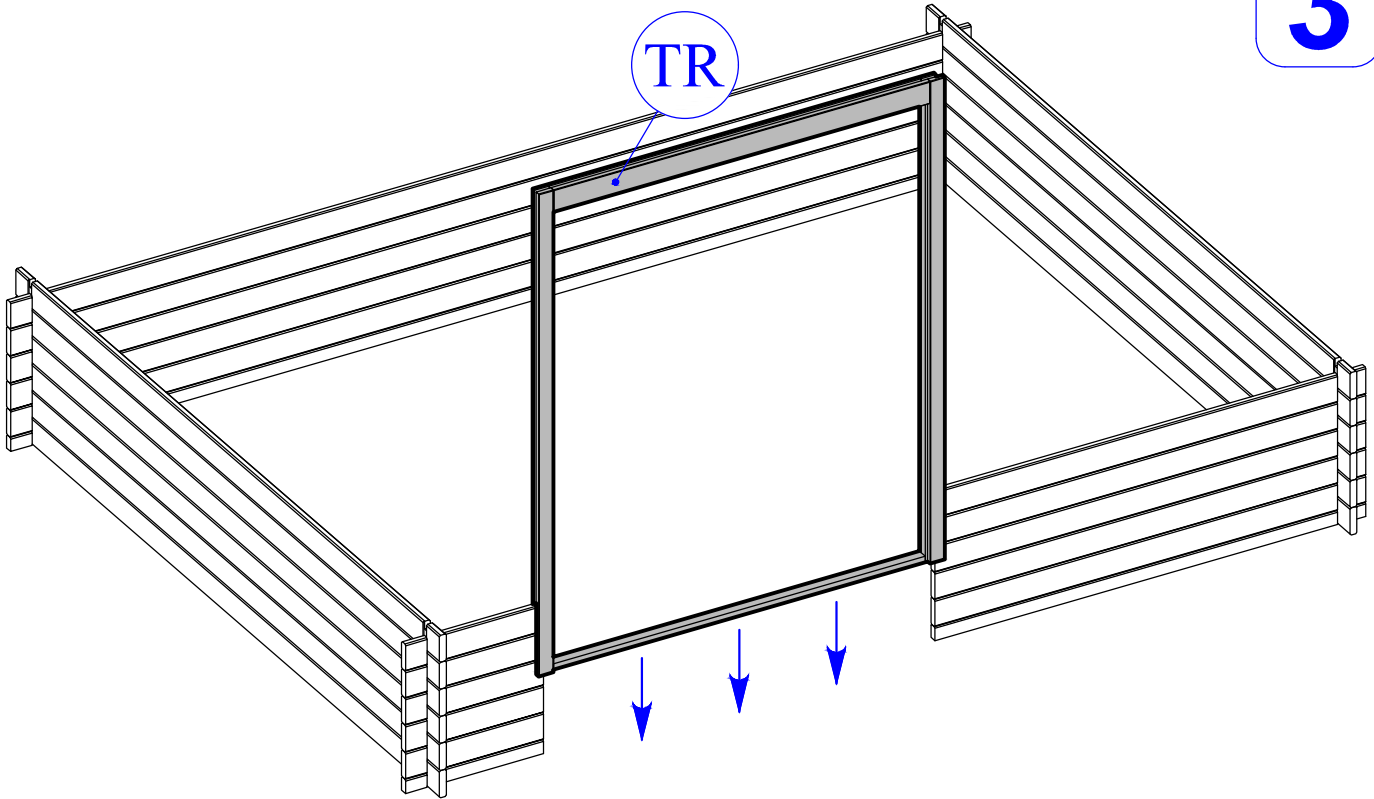
1

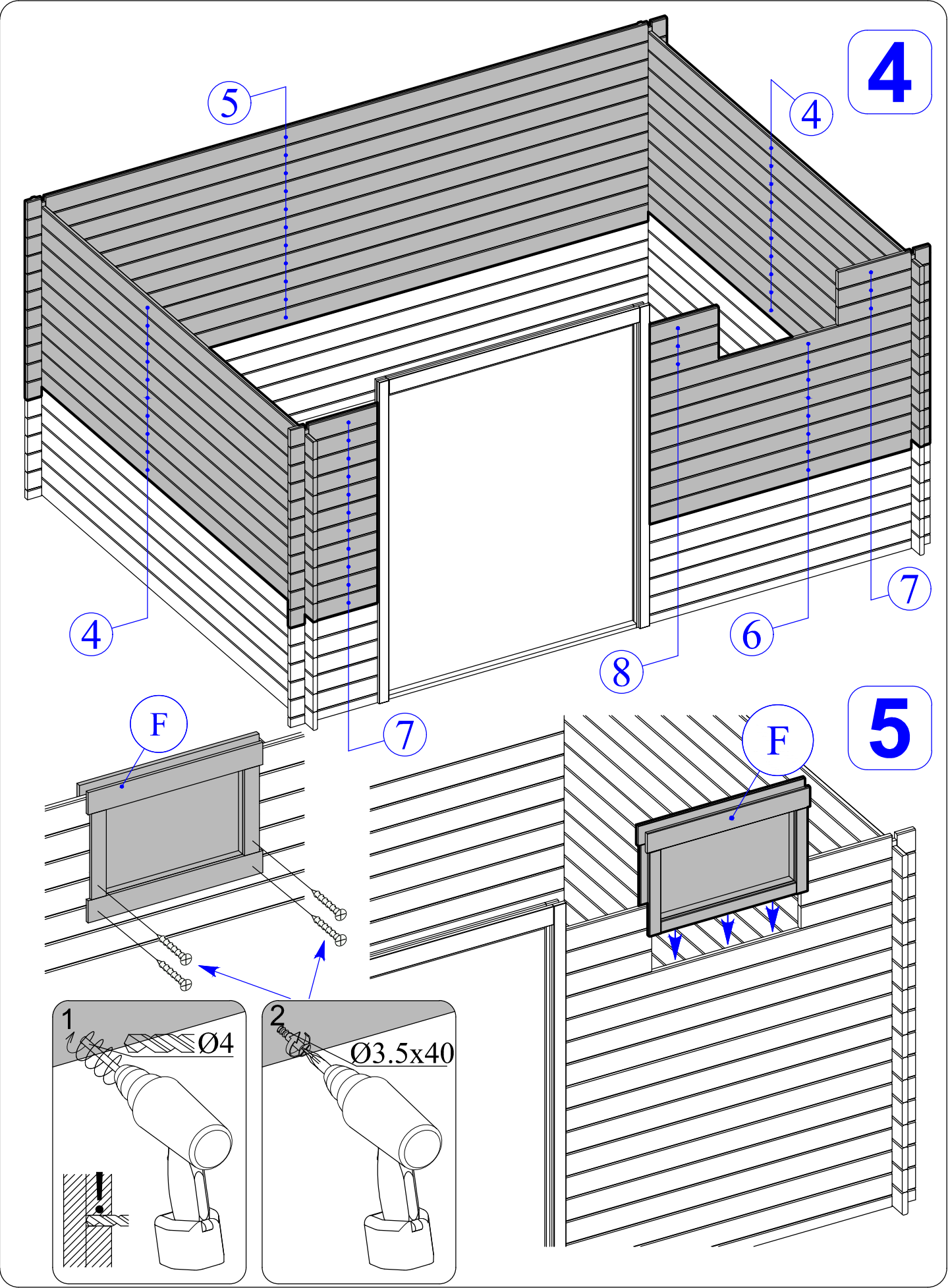


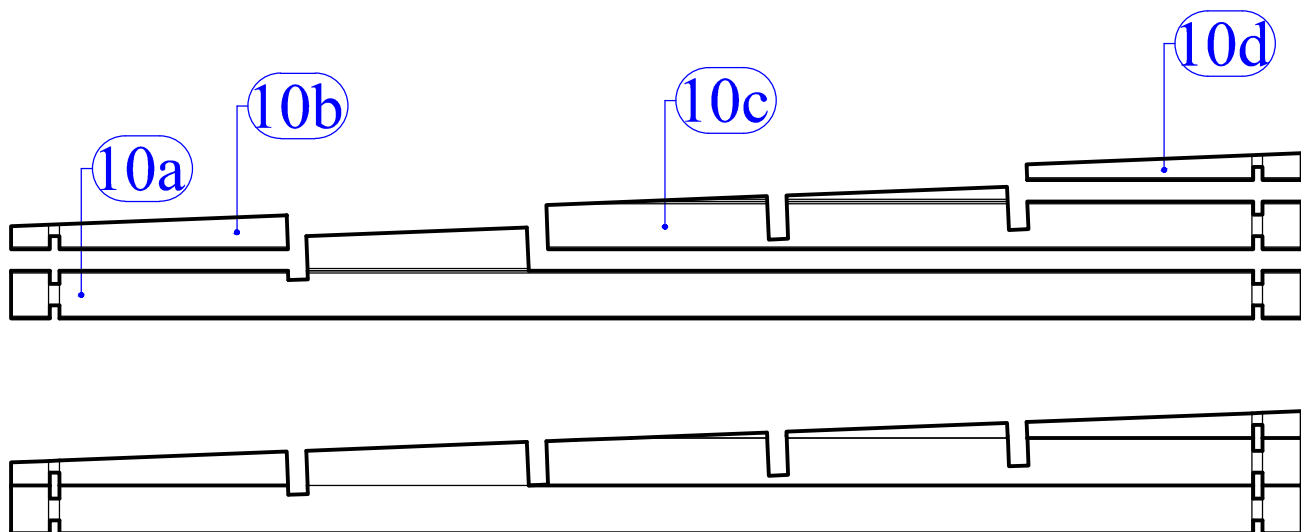
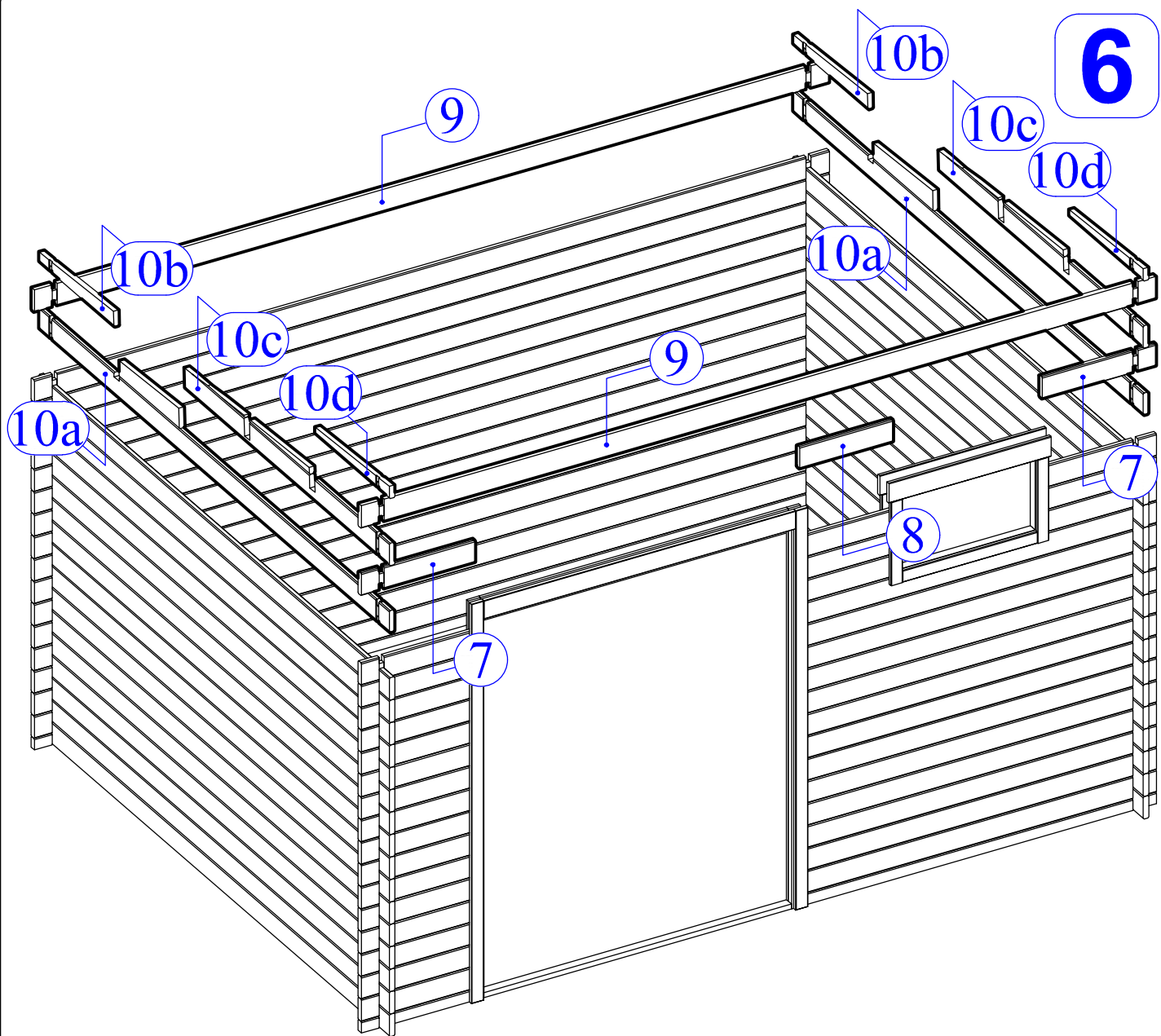
2



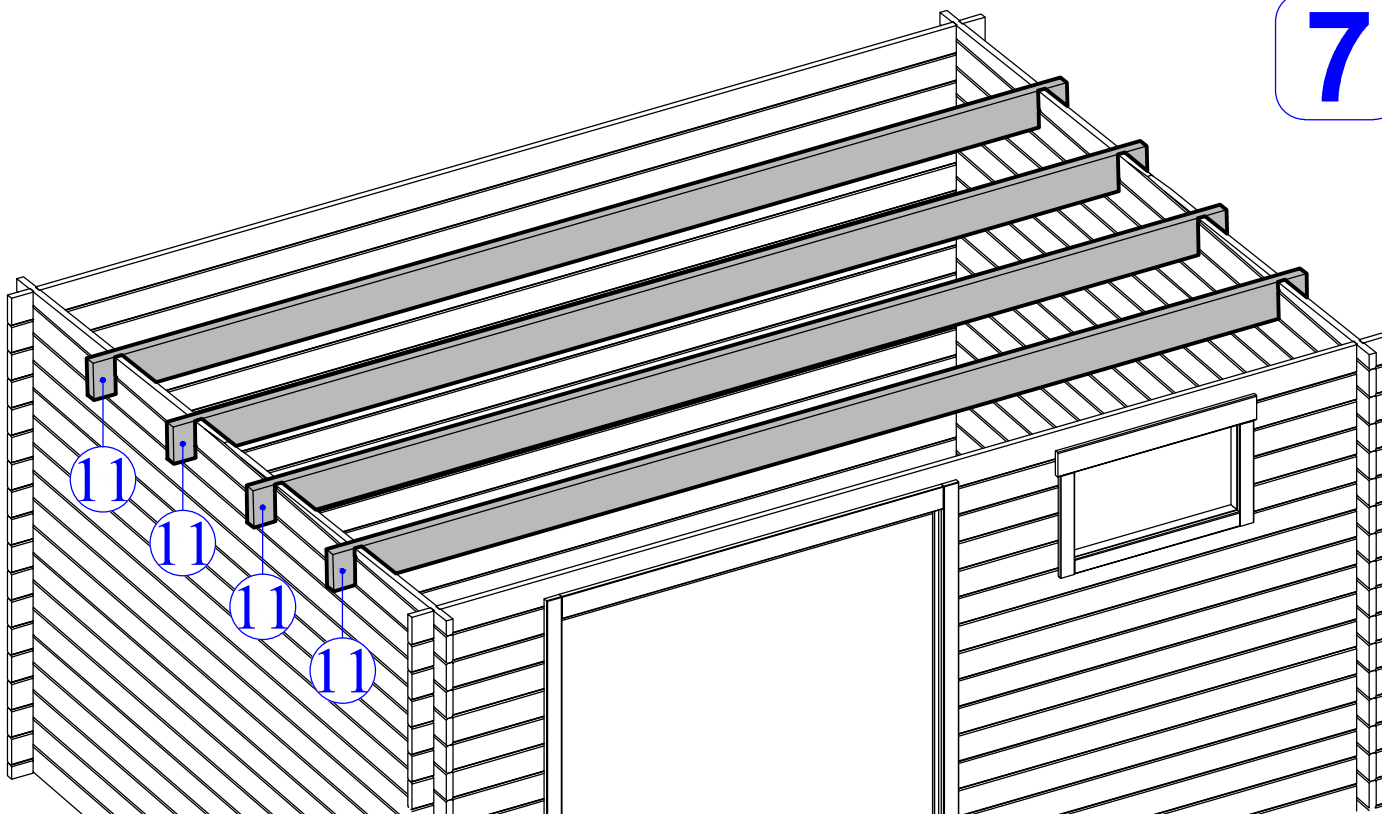
3



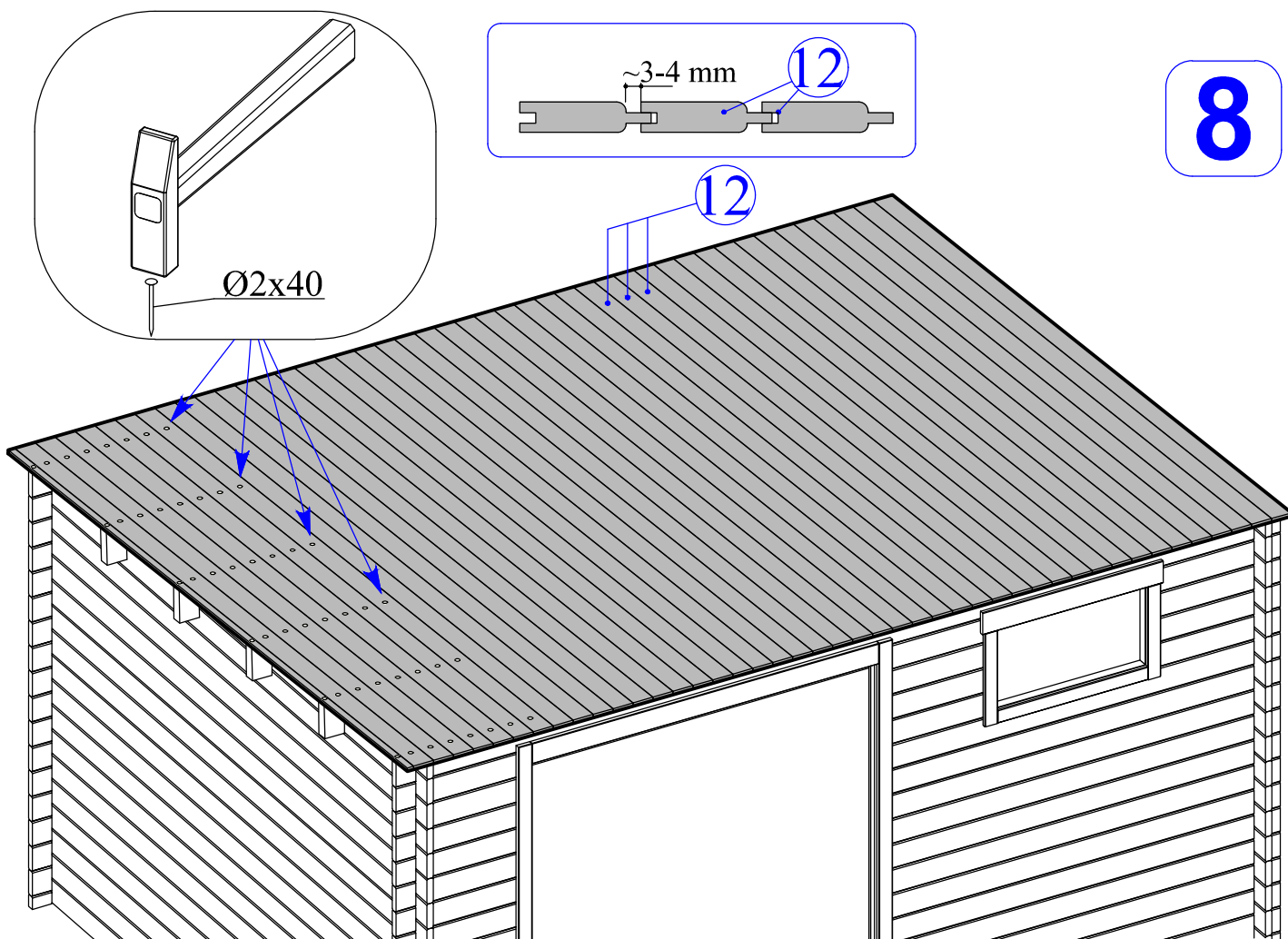


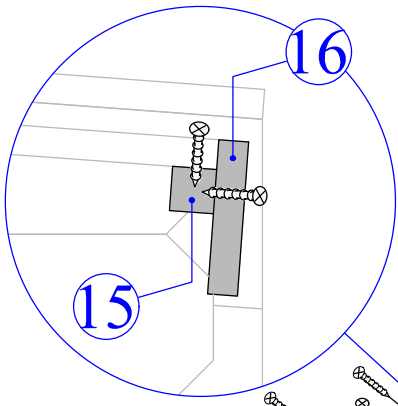
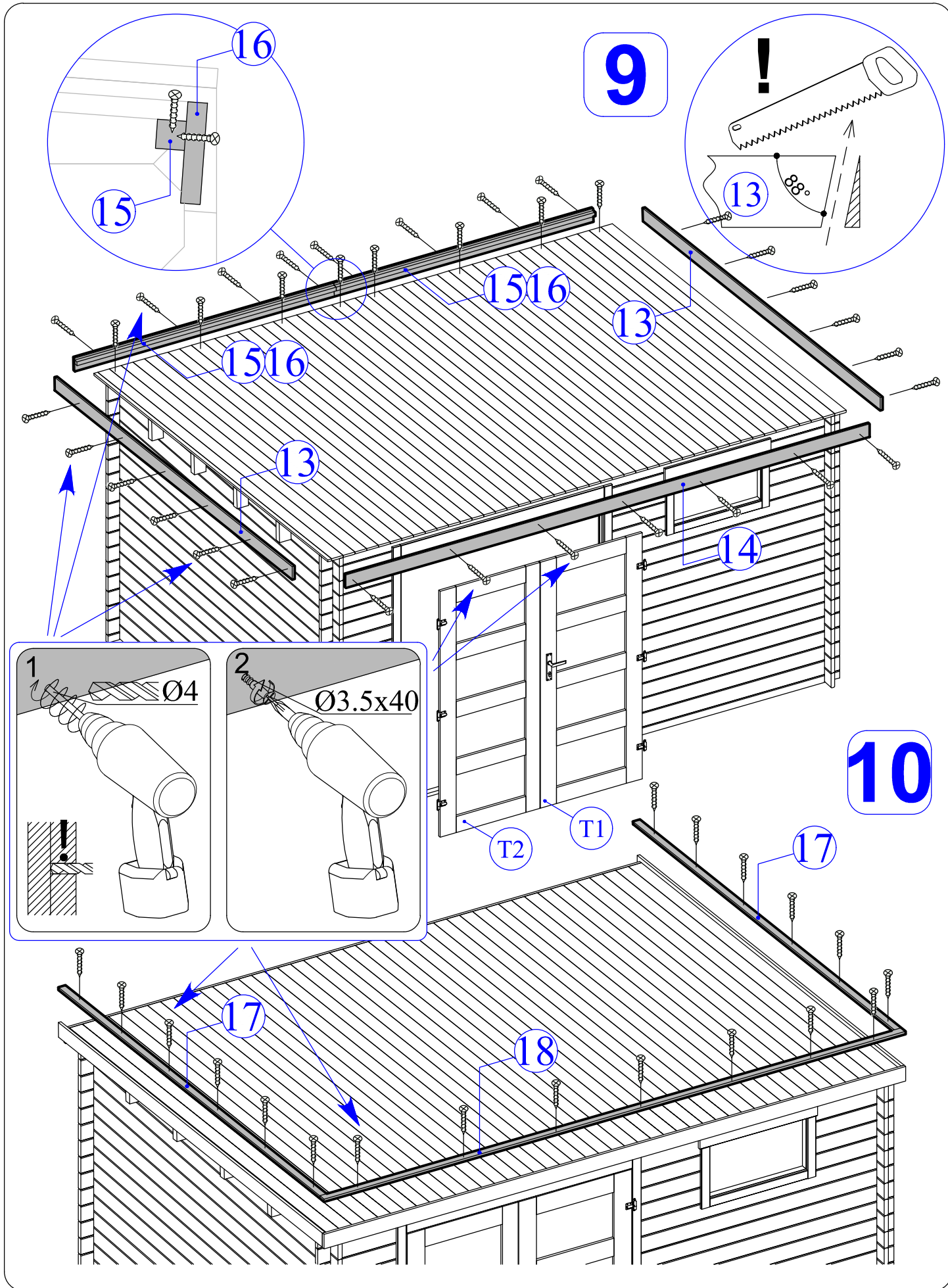


7

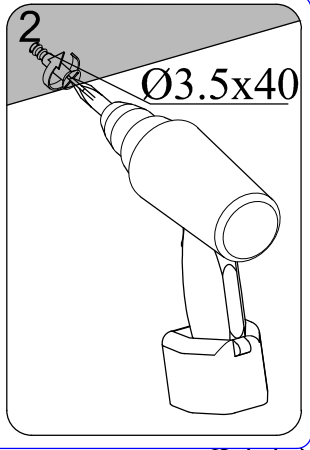
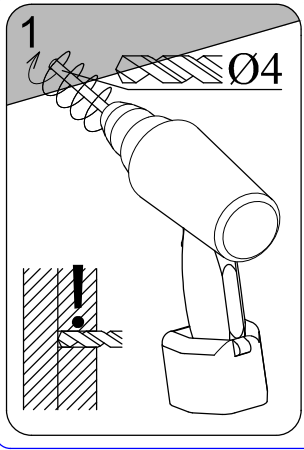
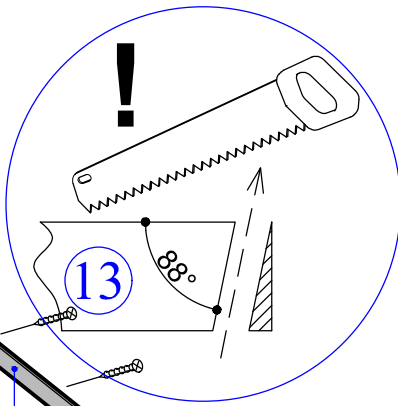


8





9

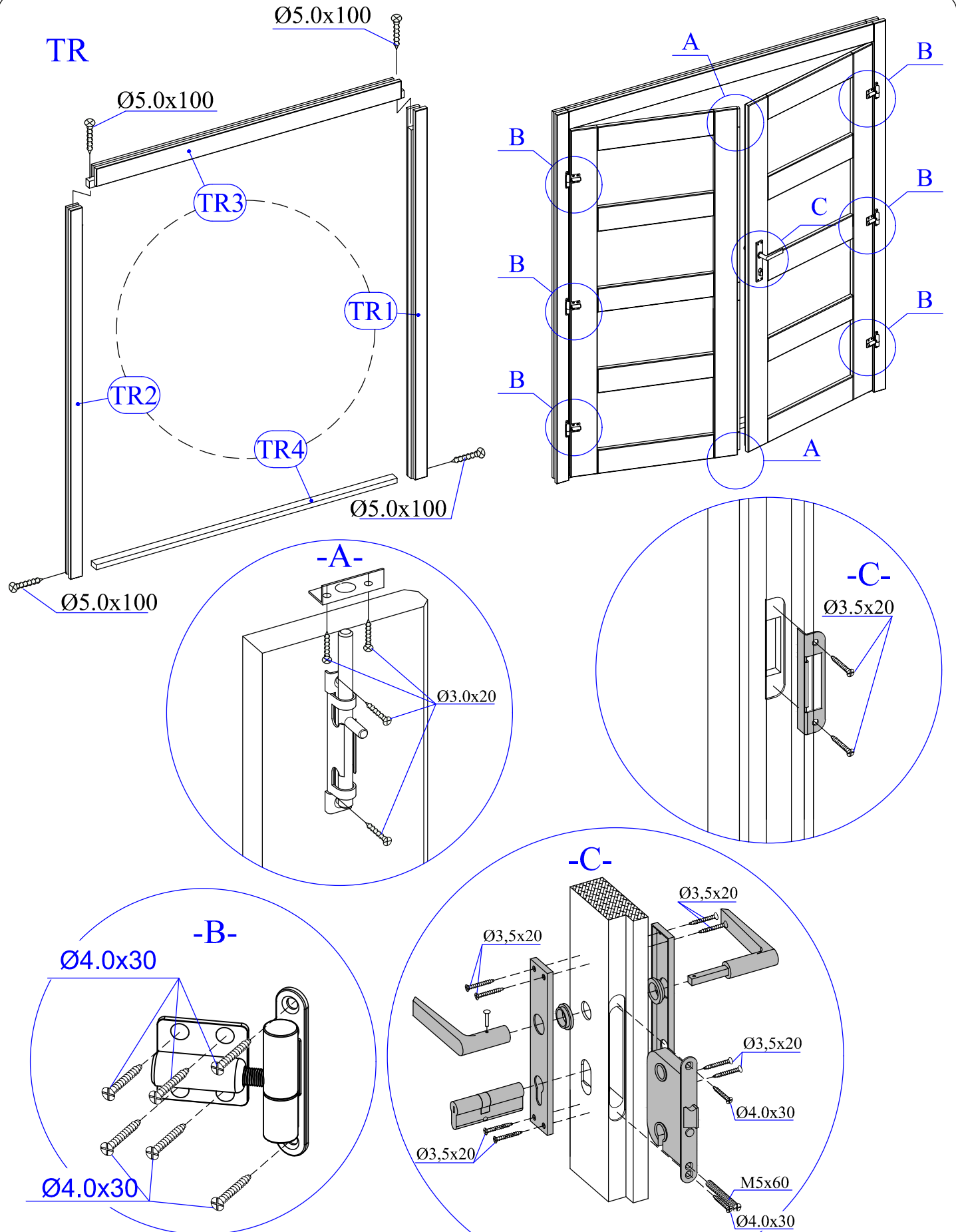


10

T2 T1

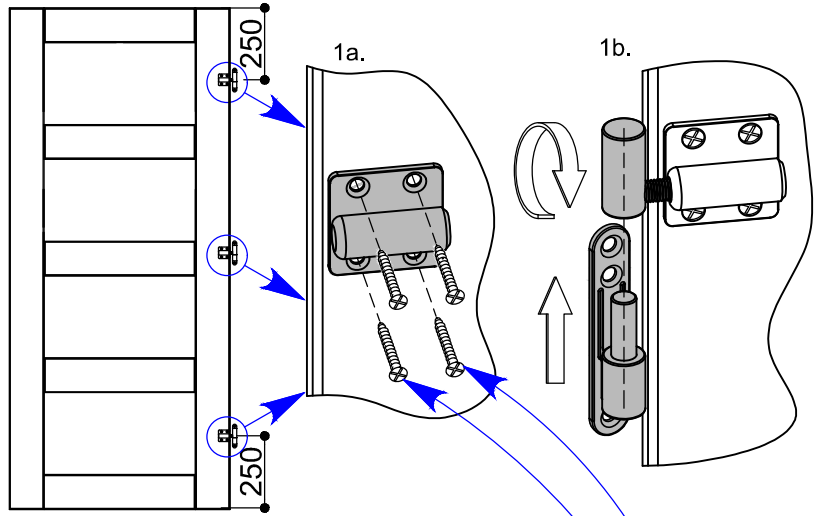
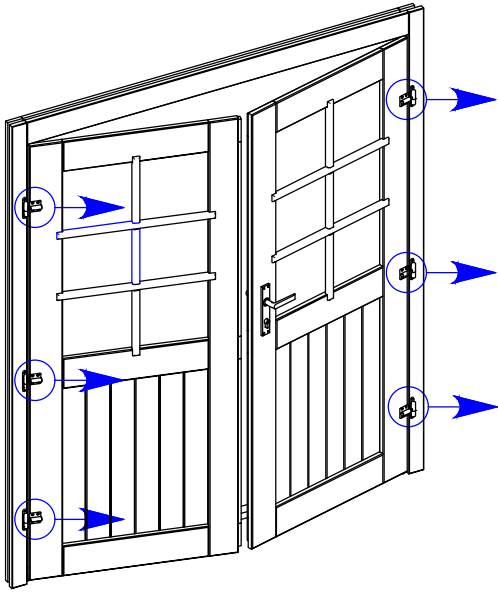
17

18

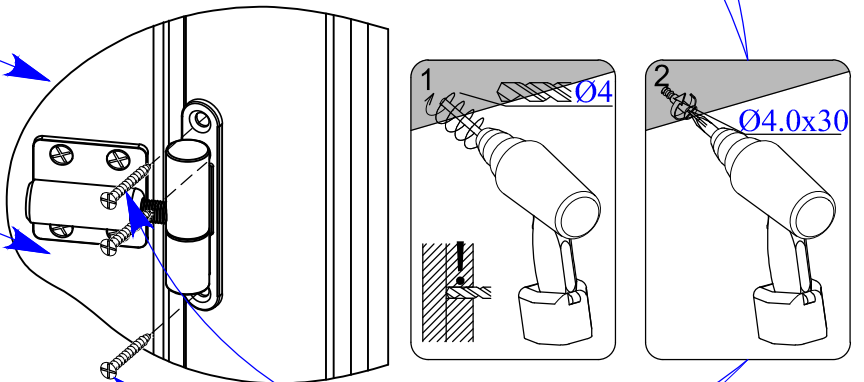
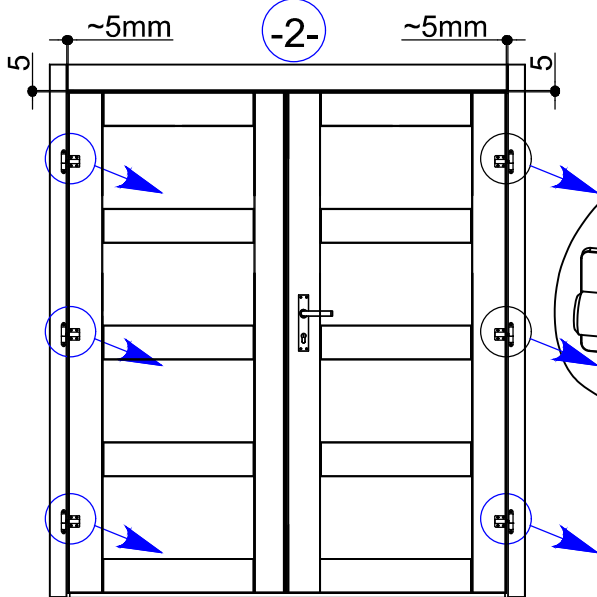


-B-

-1-



-2-



-3-

