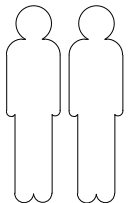
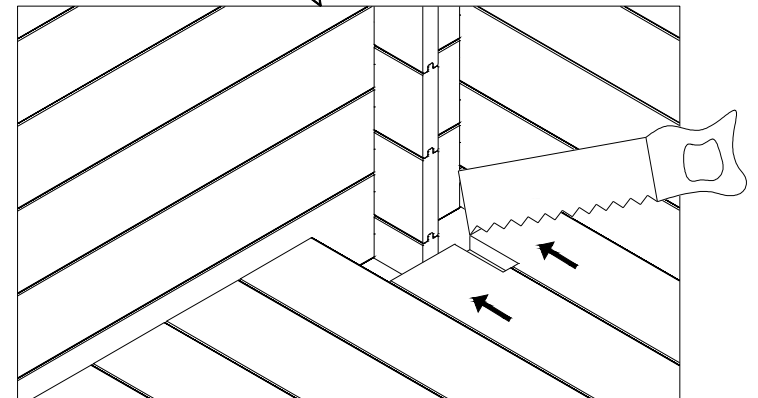
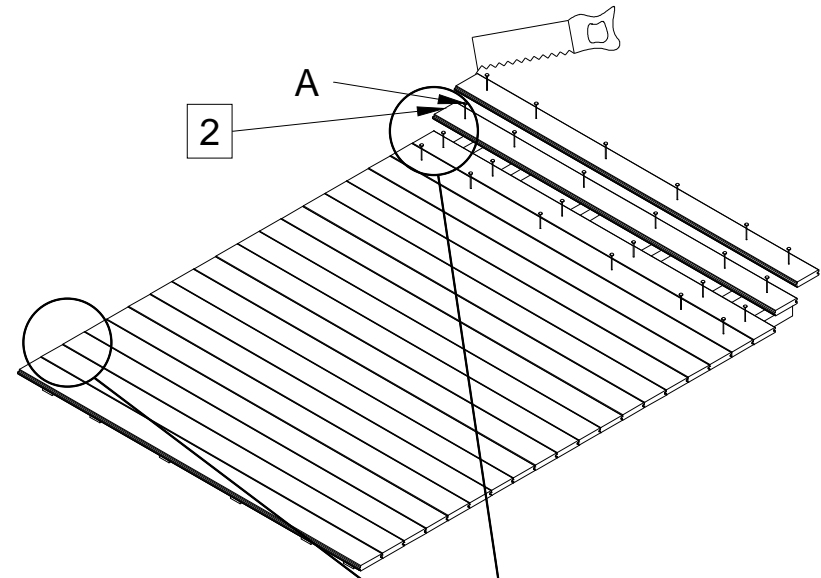
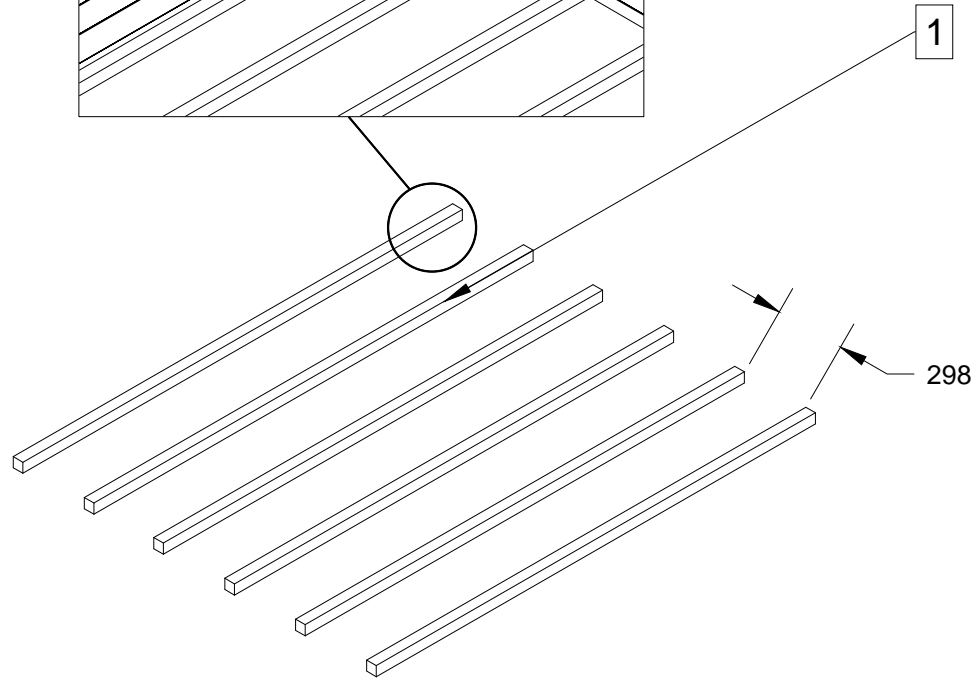
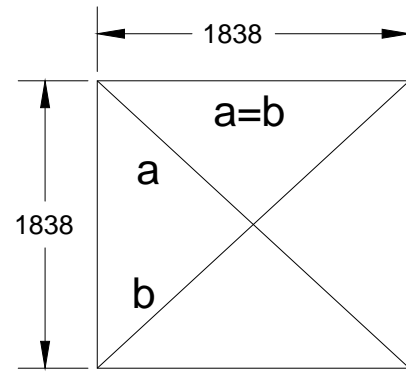
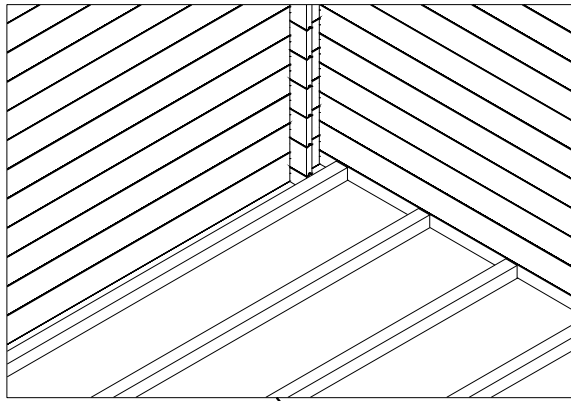


- |          |        |       |
|----------|--------|-------|
| <b>A</b> | 4x45   | x 34  |
| <b>B</b> | 1.4x25 | x 54  |
| <b>C</b> | 3x25   | x 123 |
| <b>D</b> | 6x50   | x 6   |
| <b>E</b> | 3x20   | x 28  |



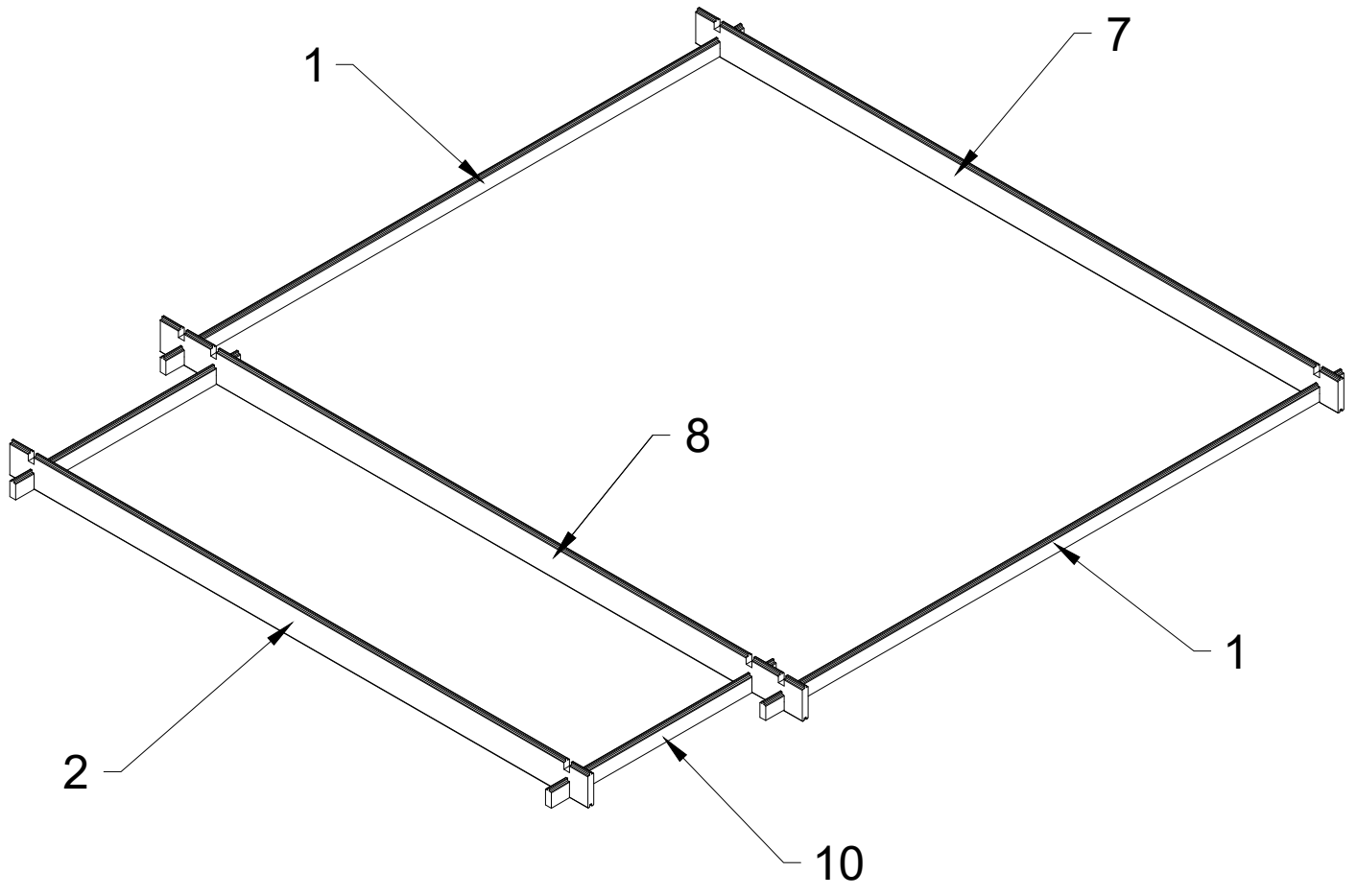
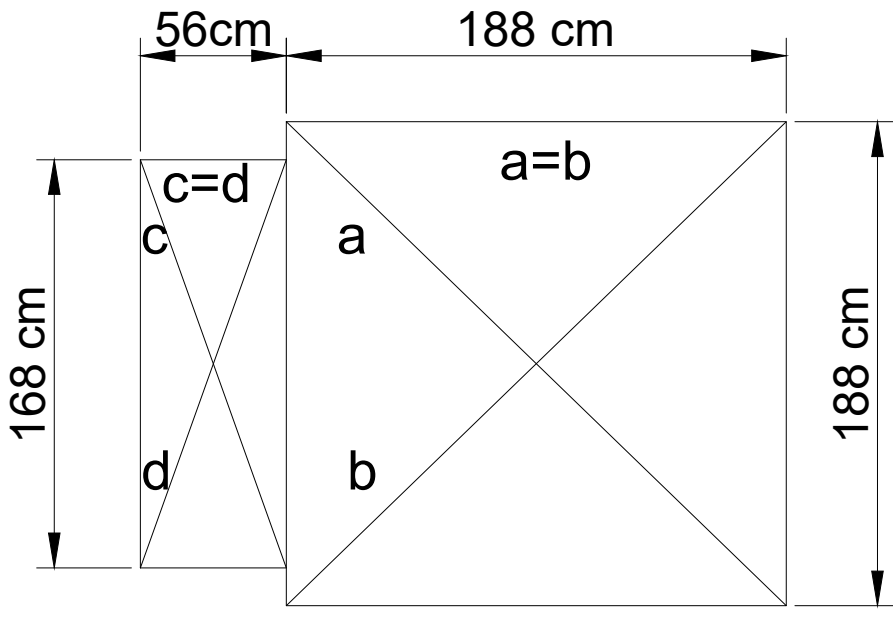
№		PCS			
			mm	mm	mm
1		2	19	52	2000
2		1	19	92	1800
3		1	19	106	1800
4		78	19	92	188
5		18	19	92	700
6		2	19	92	700
7		43	19	92	2000
8		22	19	92	2000
9		42	19	92	384
10		2	19	52	700
11		2	38	38	1585
12		1	38	38	1842
12.1		1	38	38	1842
13		1	48	84	1290
14		2		305	2000
15		1	40	60	2000
16		2	15	35	1700
17		4	15	35	1800
18		1		585	1760
19		1		585	1760
20		2	OSB	800	1100
20.1		1	OSB	400	1100
20.2		2	OSB	800	1680
20.3		1	OSB	400	1680
21		4	15	35	1080
22		4	15	35	1660
23		2	13	92	1120
24		2	13	92	1710
25		2	15	75	145
26		1	15	35	941
26.1		1	15	35	768
27		4	OSB	35	1000
28		1	15	69	1180
29		4	15	35	1000
30		3		1000	2000
32		6			
33		3			
33.1		1			

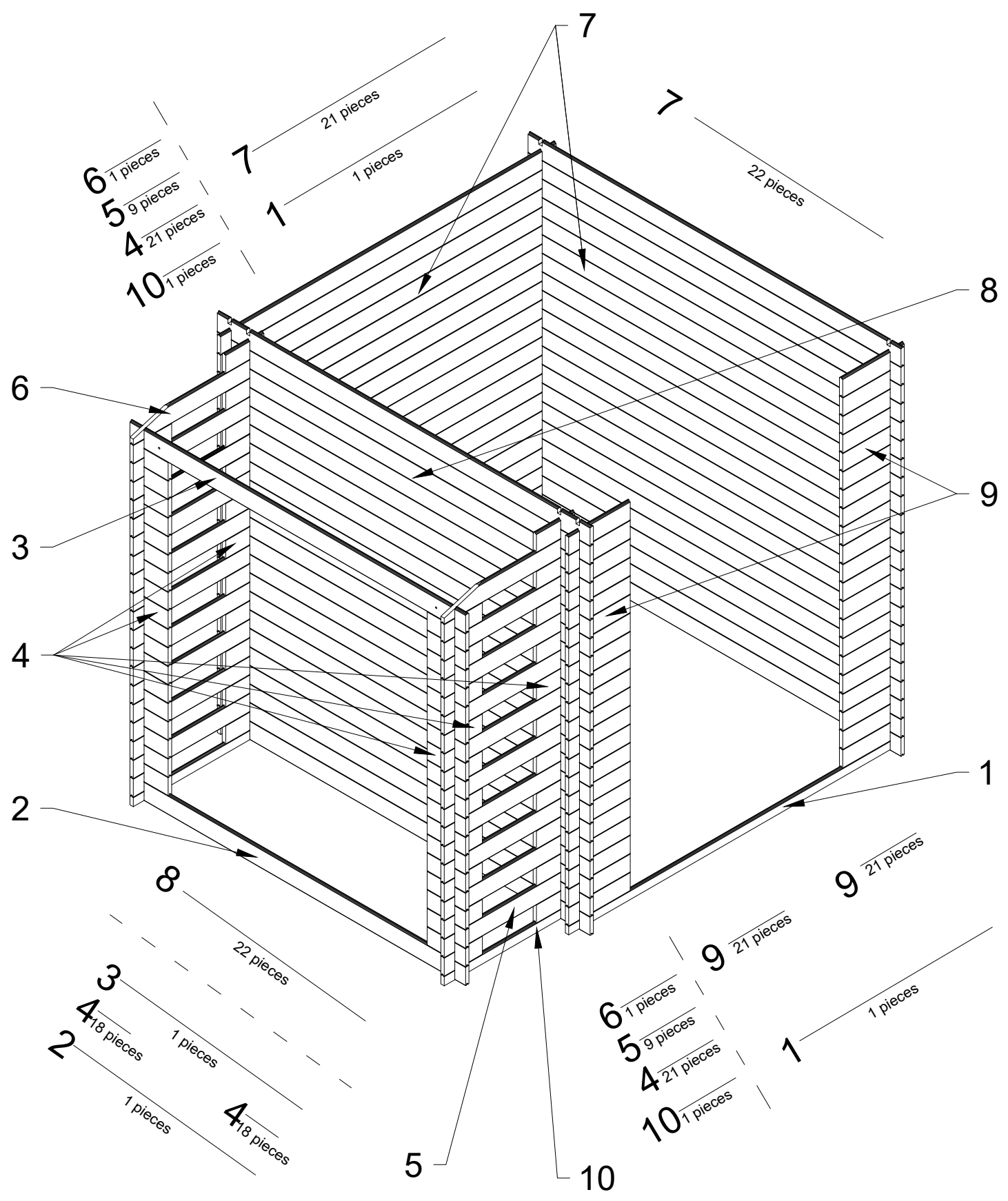
M386



No	PCS	DIMENSIONS		
1	6	38	38	1838
2	21	19	92	1838
A	126			

1



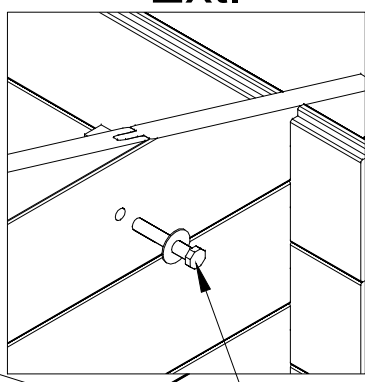
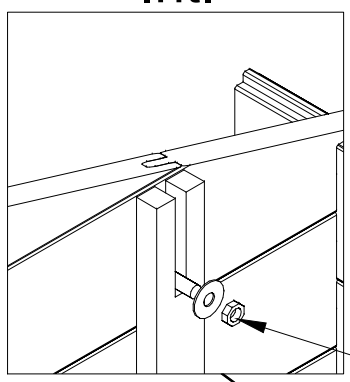
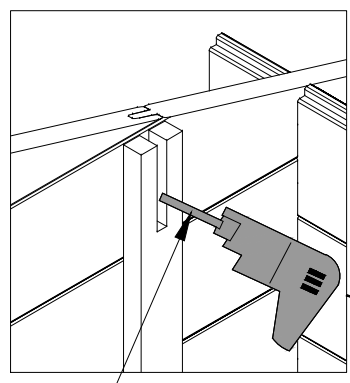


3

Int.

Int.

Ext.



D x6

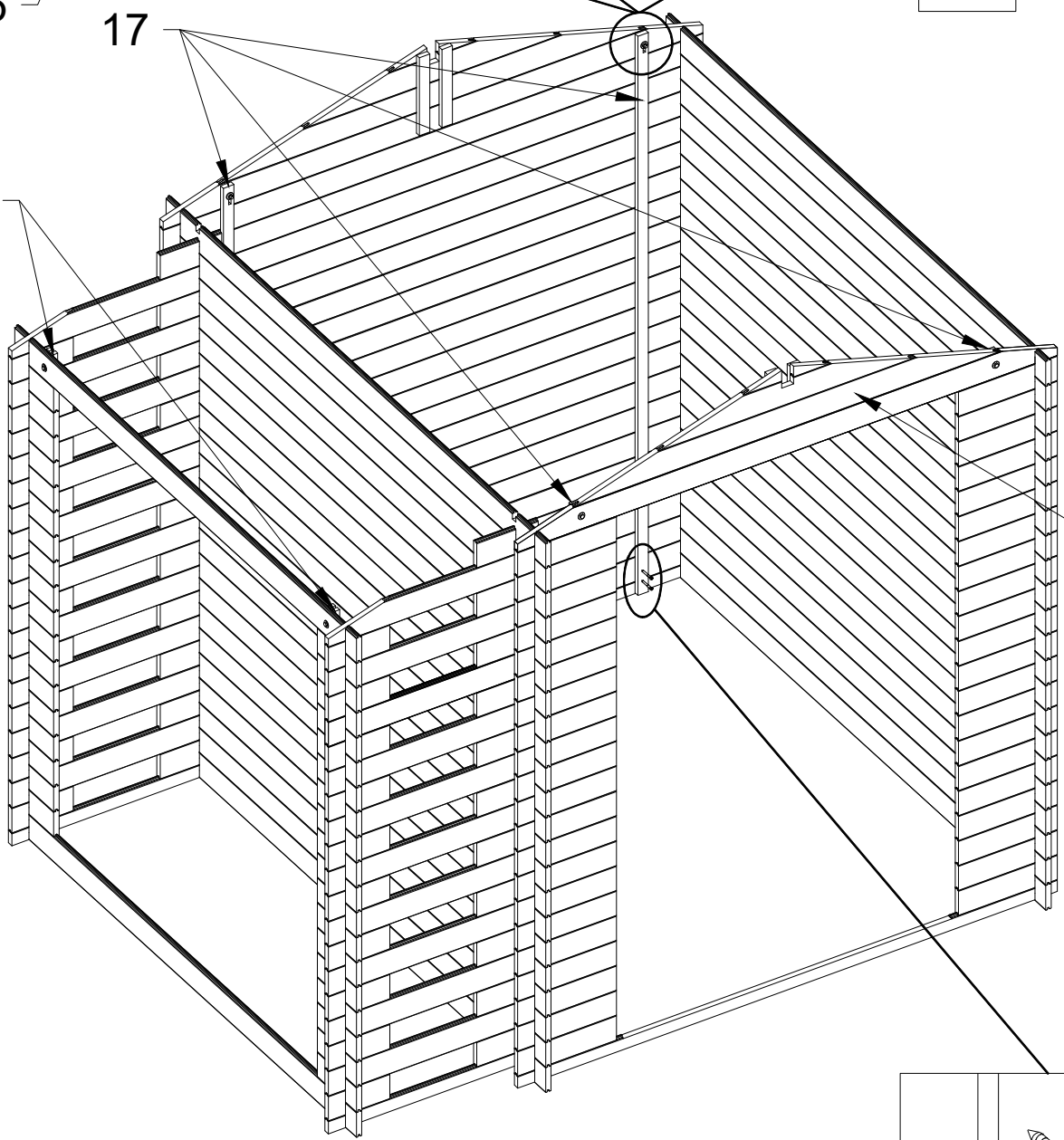
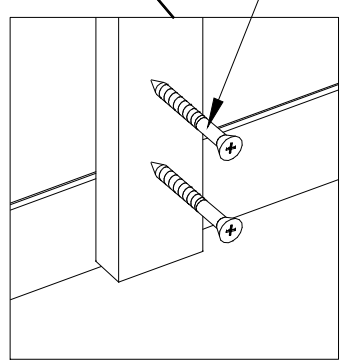
Ø6

17

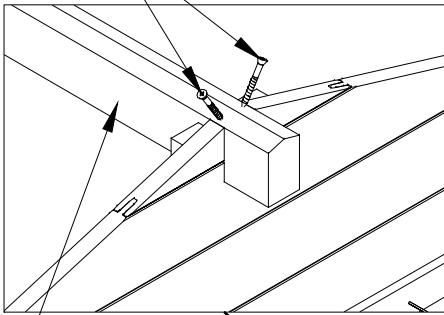
16

14

C x12

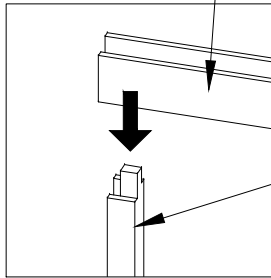


A x4



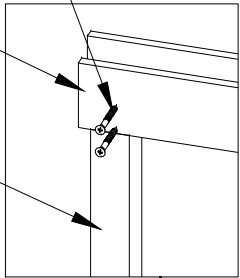
13

C x4



Int.

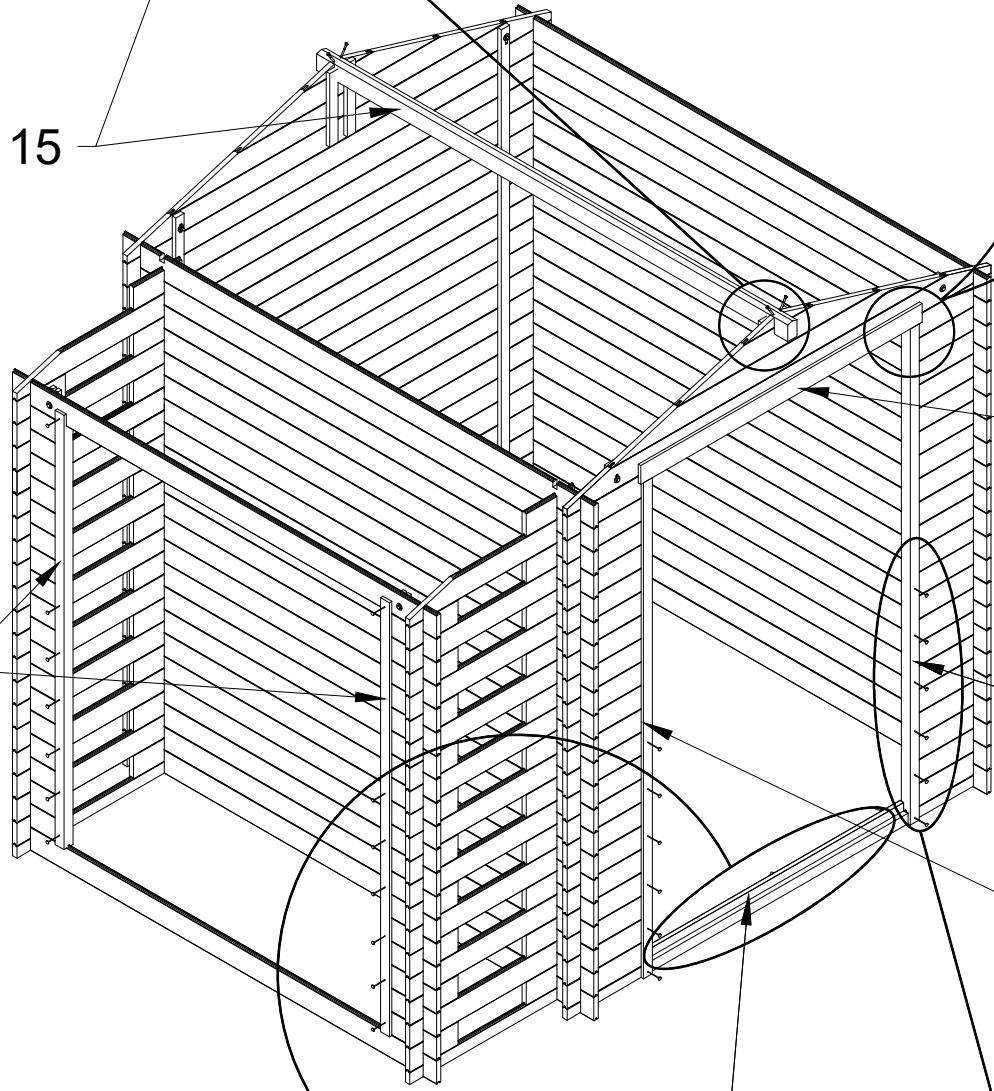
12



Int.

15

11

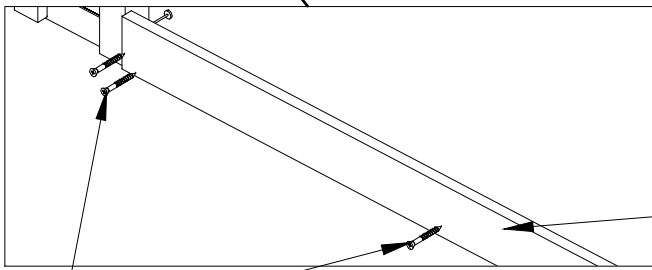


13

12

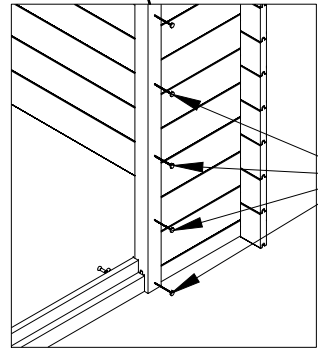
12.1

28



Int.

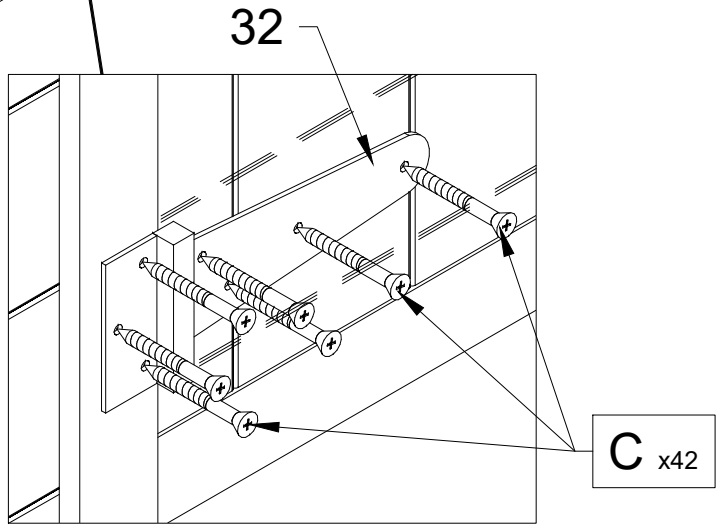
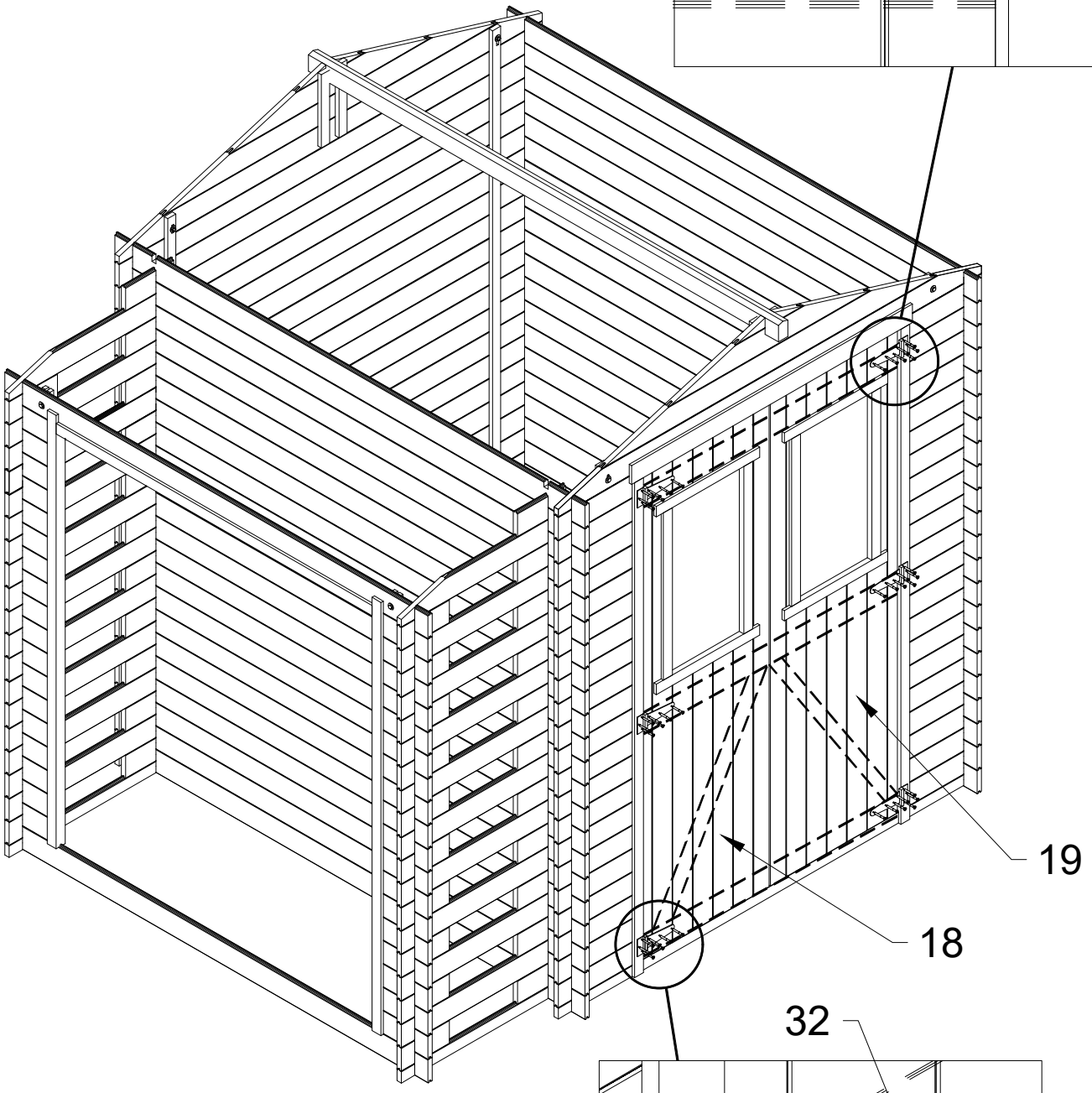
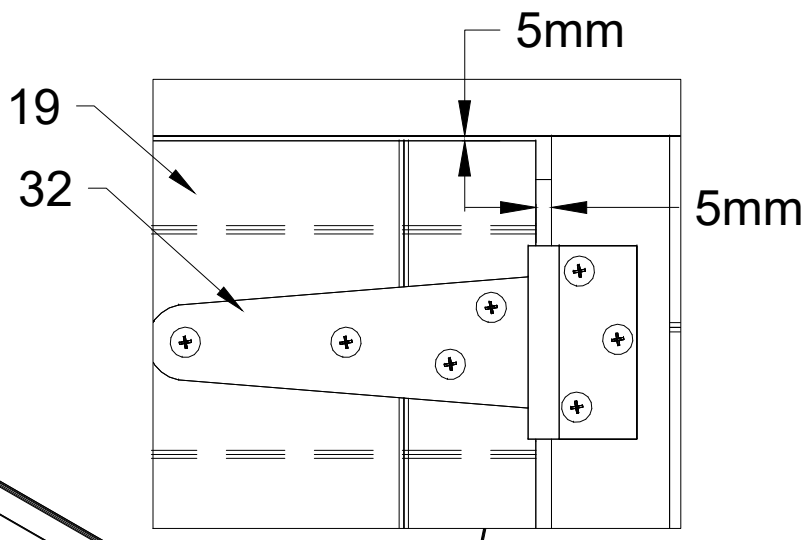
C x5



B x26

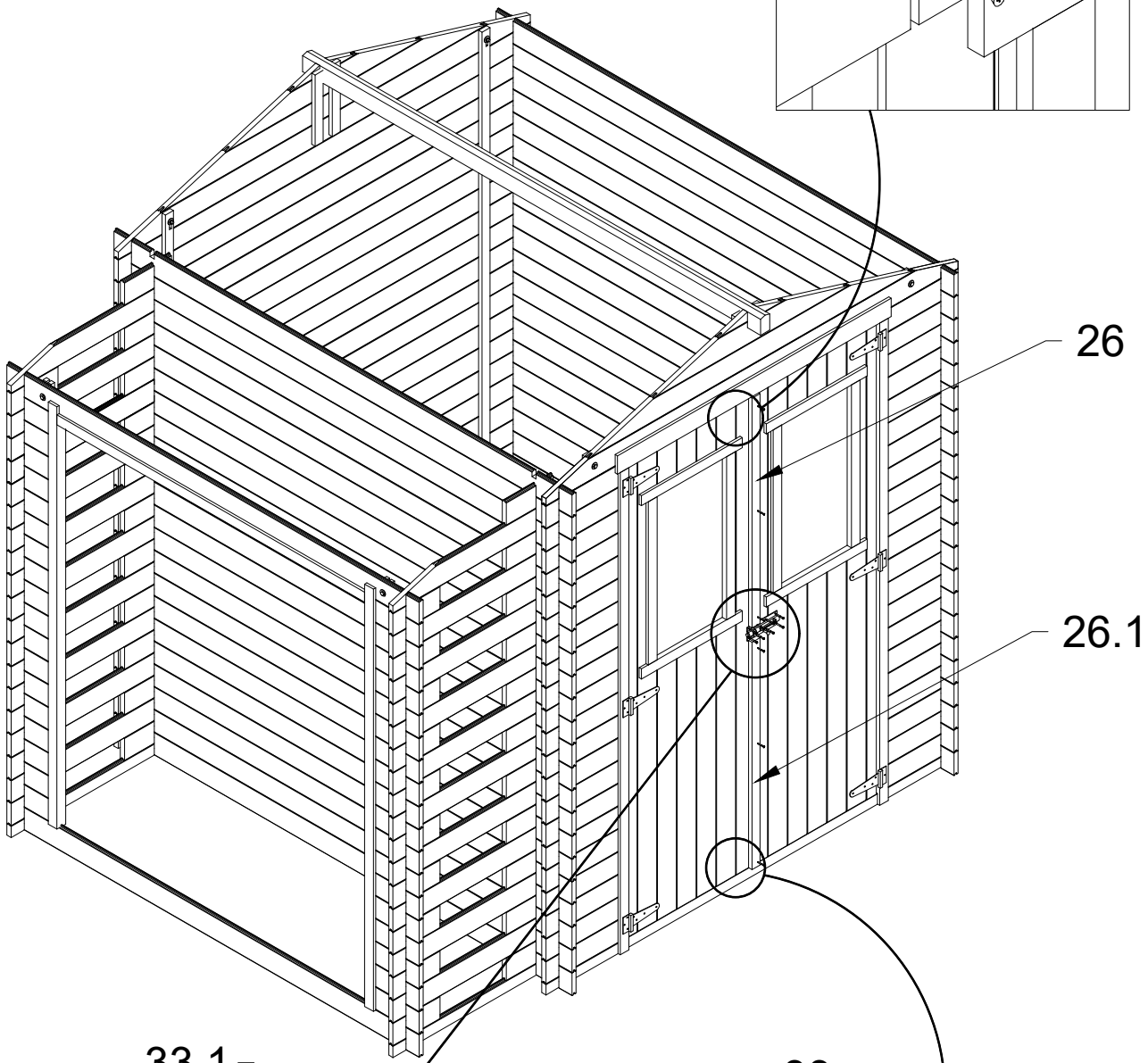
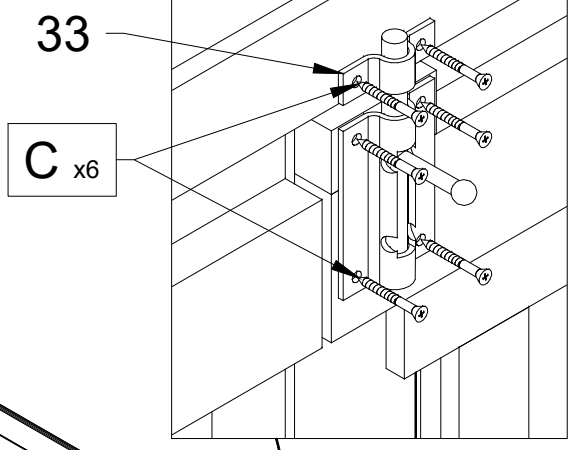
Ext.

5



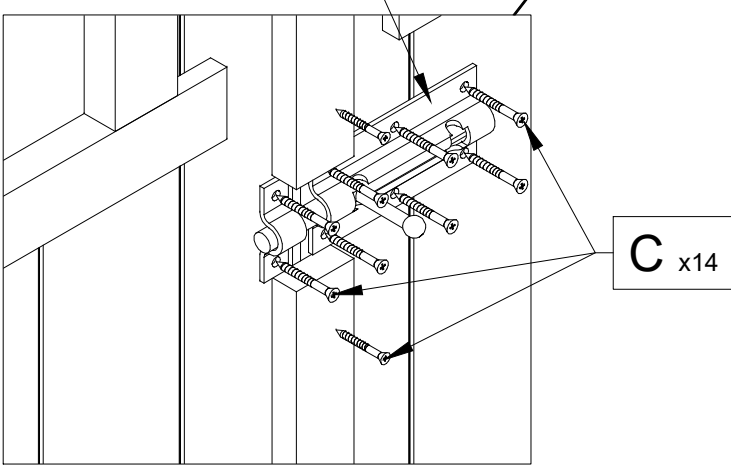
6

Int.



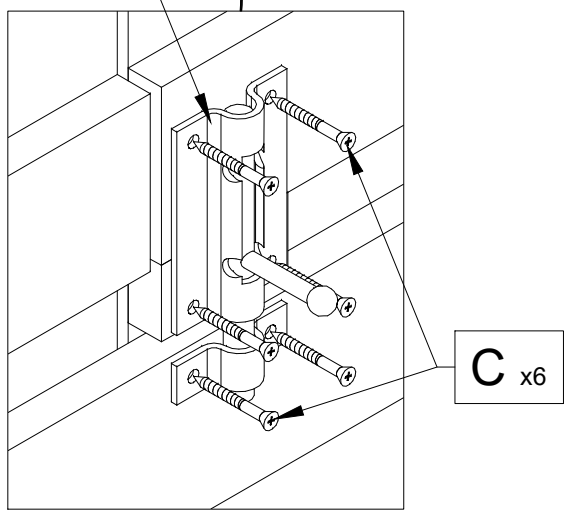
Ext.

33.1

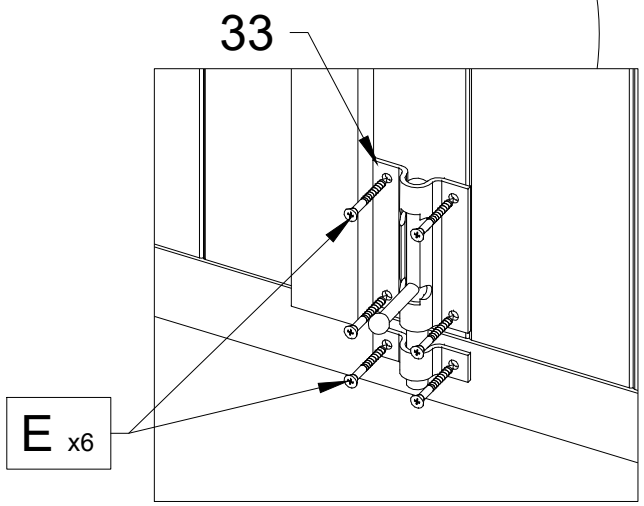
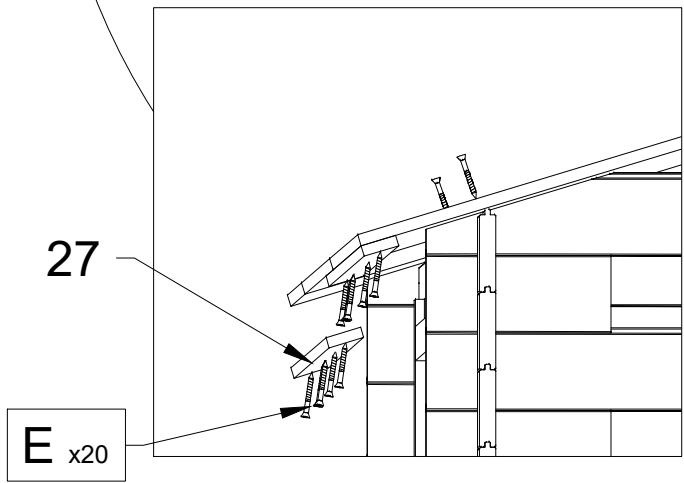
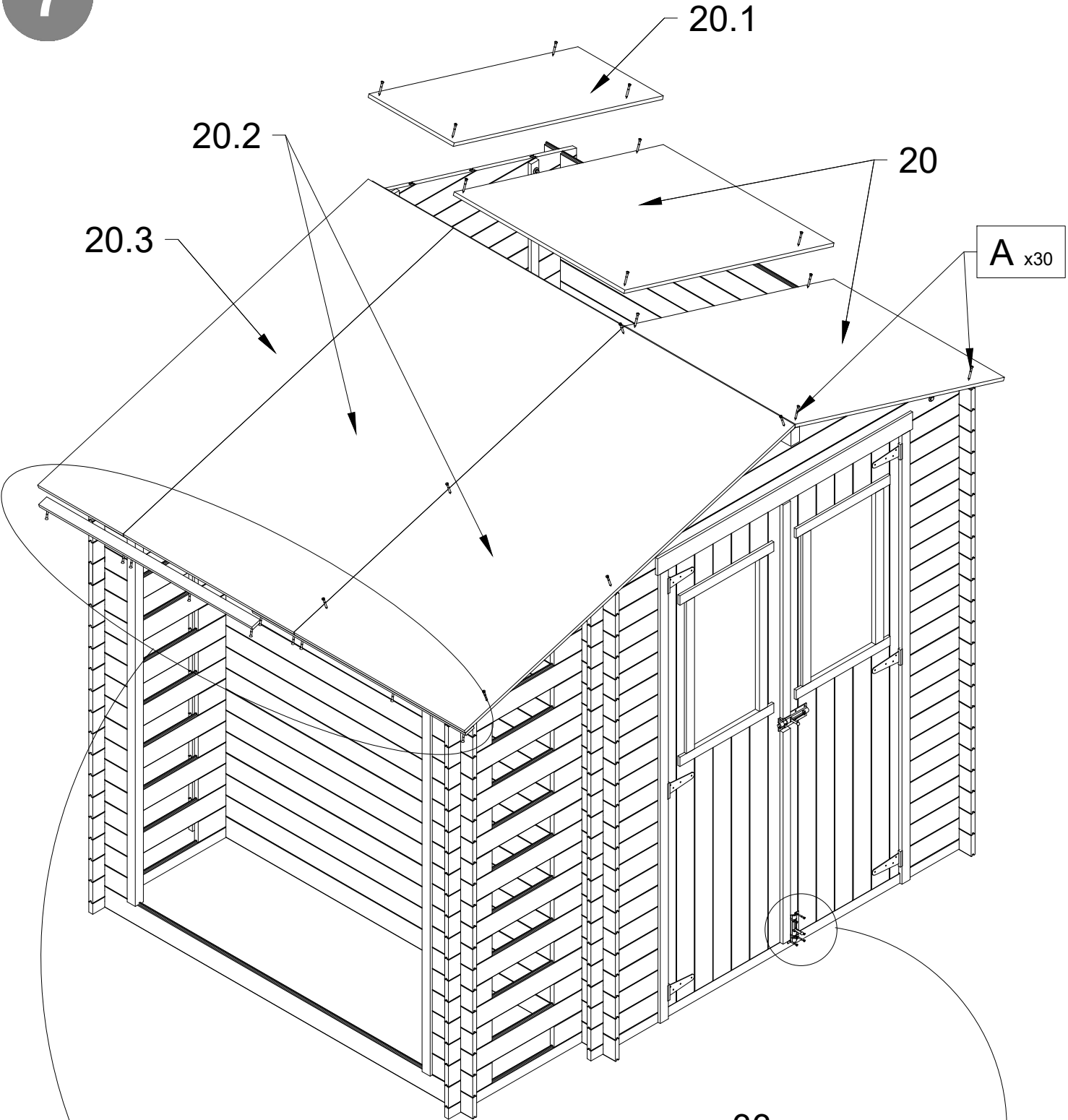


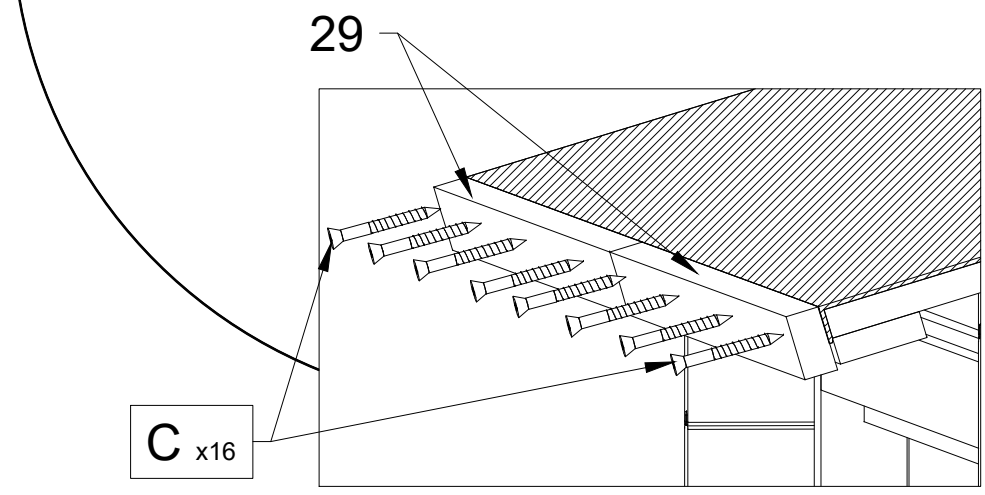
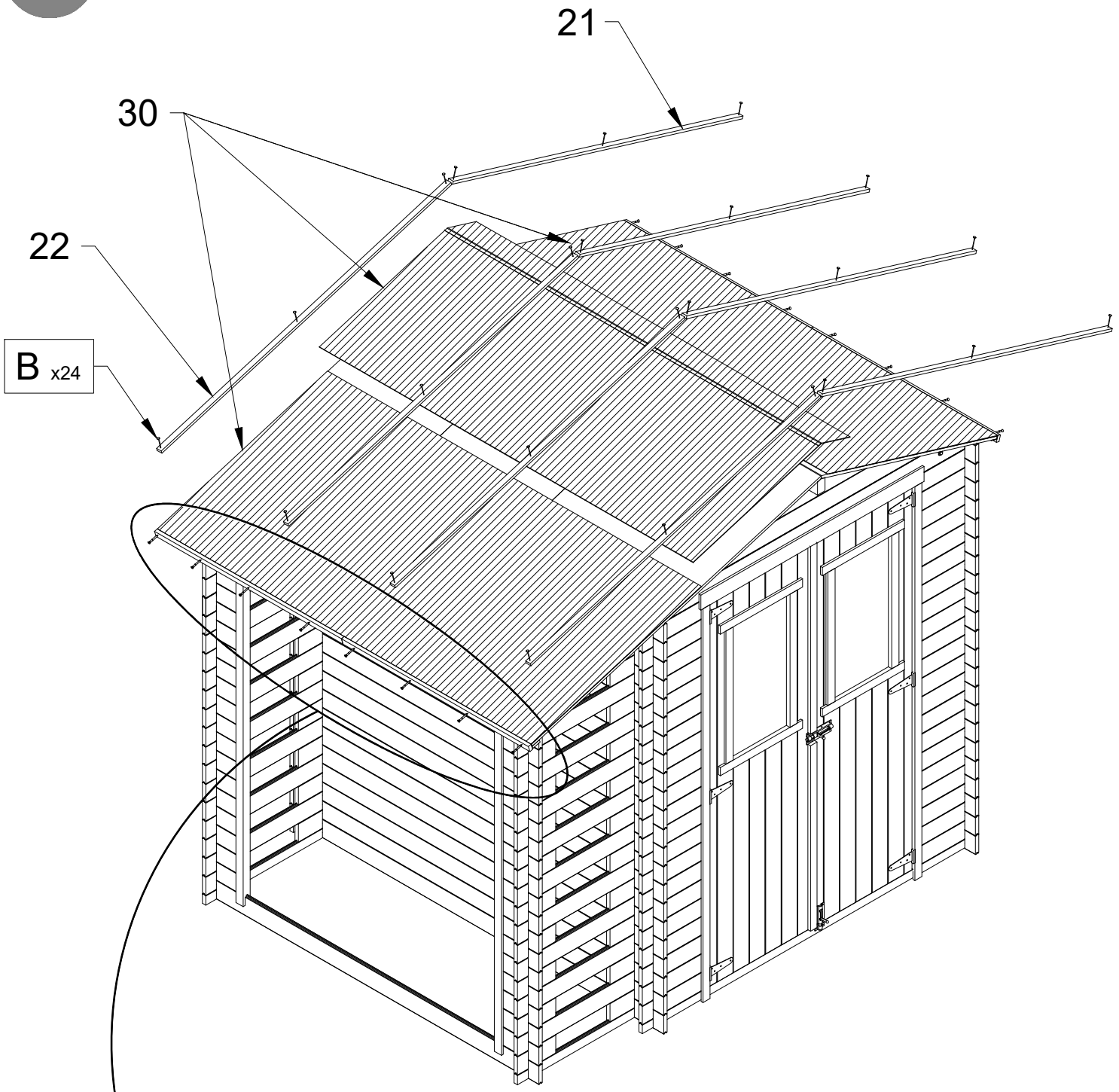
33

Int.



7





MAX  
30 kg/m<sup>2</sup>

