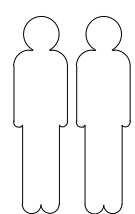
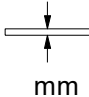
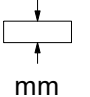

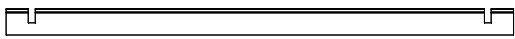

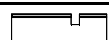
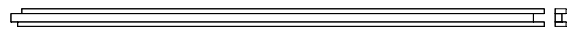
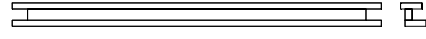

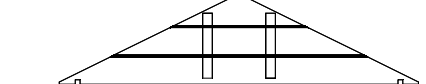
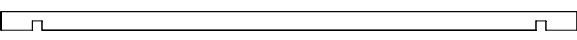
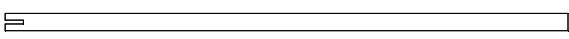


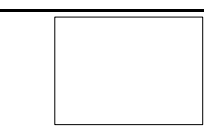

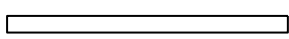
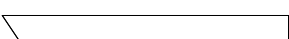

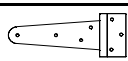
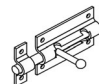
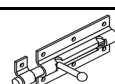
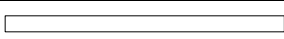

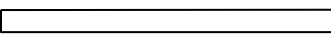
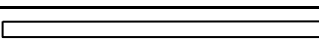
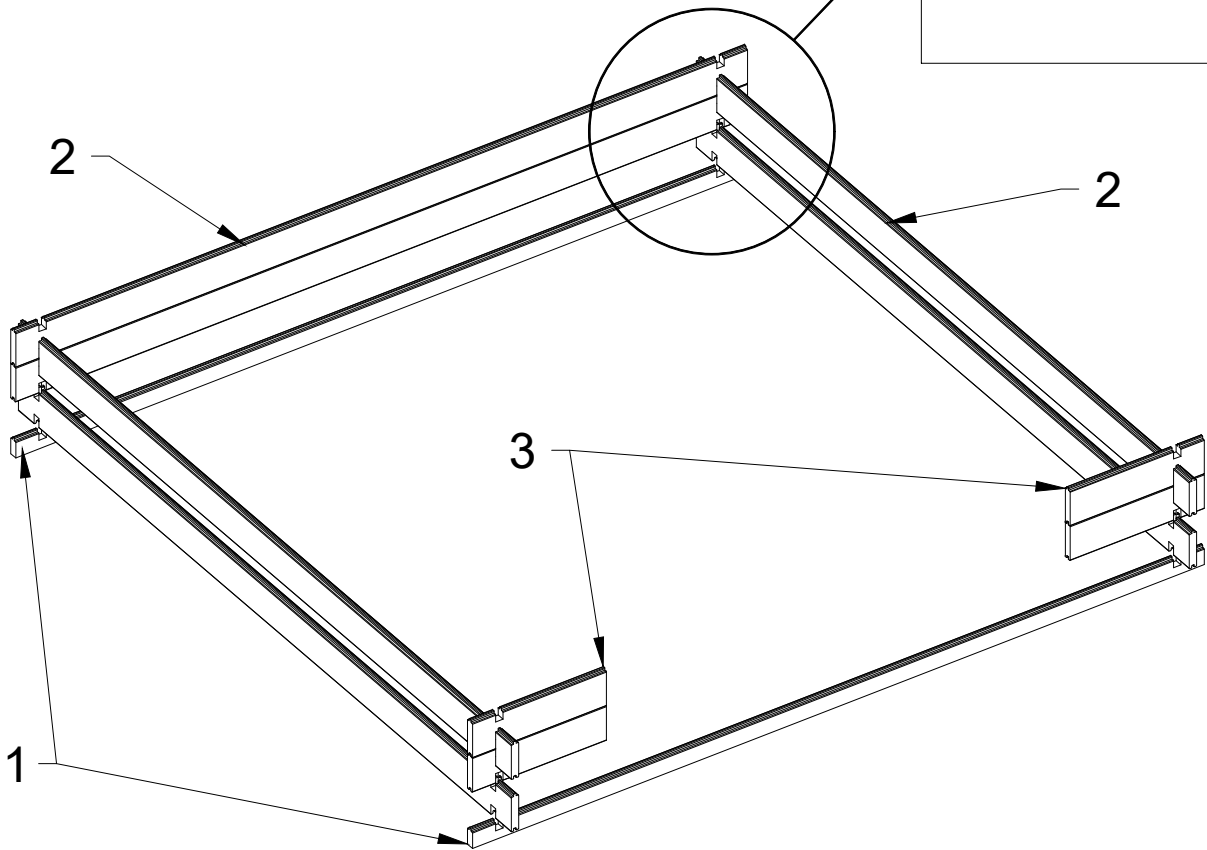
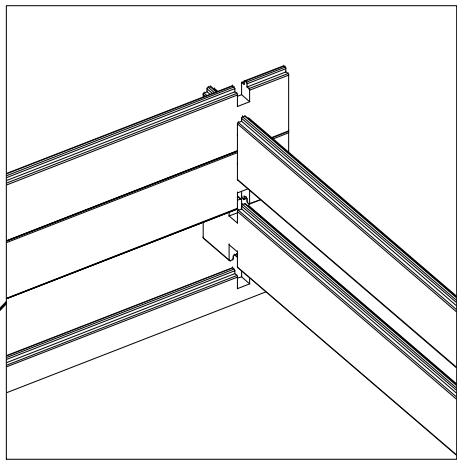
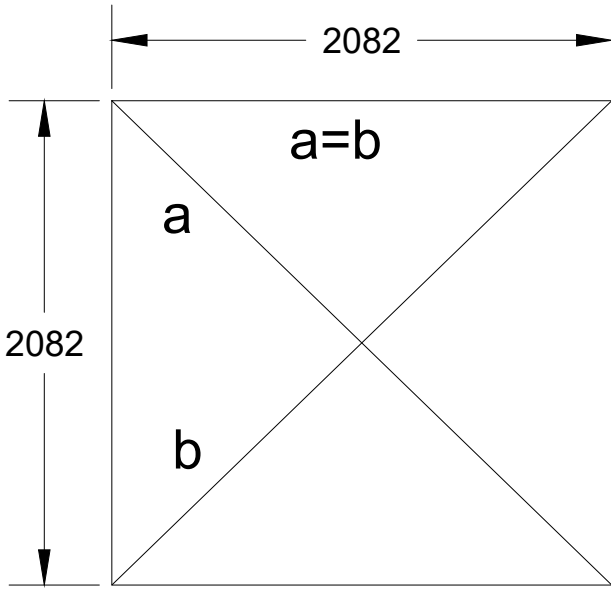


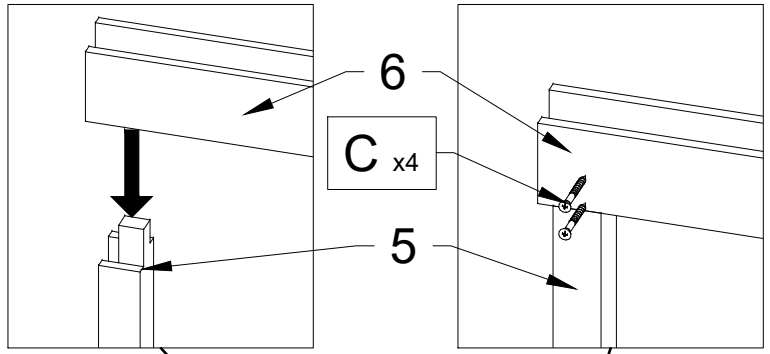
- | | | |
|----------|--------|-------|
| A | 4x45 | x 24 |
| B | 1.4x25 | x 40 |
| C | 3x25 | x 113 |
| D | 6x50 | x 4 |
| E | 3x20 | x 22 |



№		PCS	 mm	 mm	 mm
1		2	19	52	2200
2		65	19	92	2200
3		42	19	92	484
5		1	38	38	1842
6		1	48	84	1290
7		1	38	38	1842
8		2		305	2200
9		1	40	60	2200
10		4	15	35	1800
11G		1		585	1760
11D		1		585	1760
12		6	OSB	733	1200
13A		2		1000	2200
13B		1		500	2200
14		8	15	35	1200
15		4	13	92	1225
17		2	15	75	145
18		6			
19		3			
19.1		1			
20		2	15	35	855
21		4	OSB	35	1100
22		1	15	69	1180
24		4	15	35	1100

1





2 21 pieces
1 1 pieces

2 22 pieces

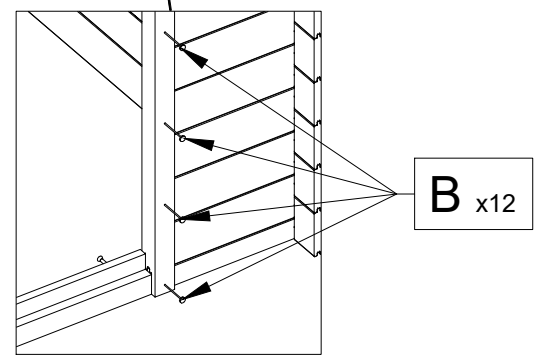
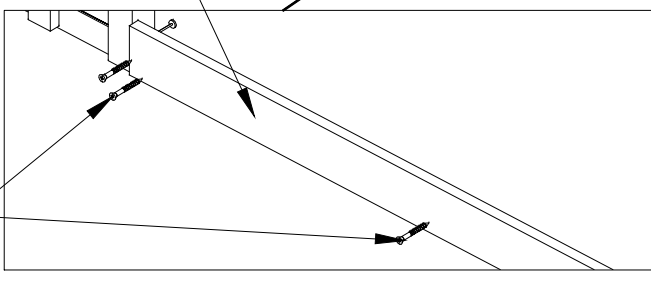
8
7

6
5

2 22 pieces

3 21 pieces
1 1 pieces

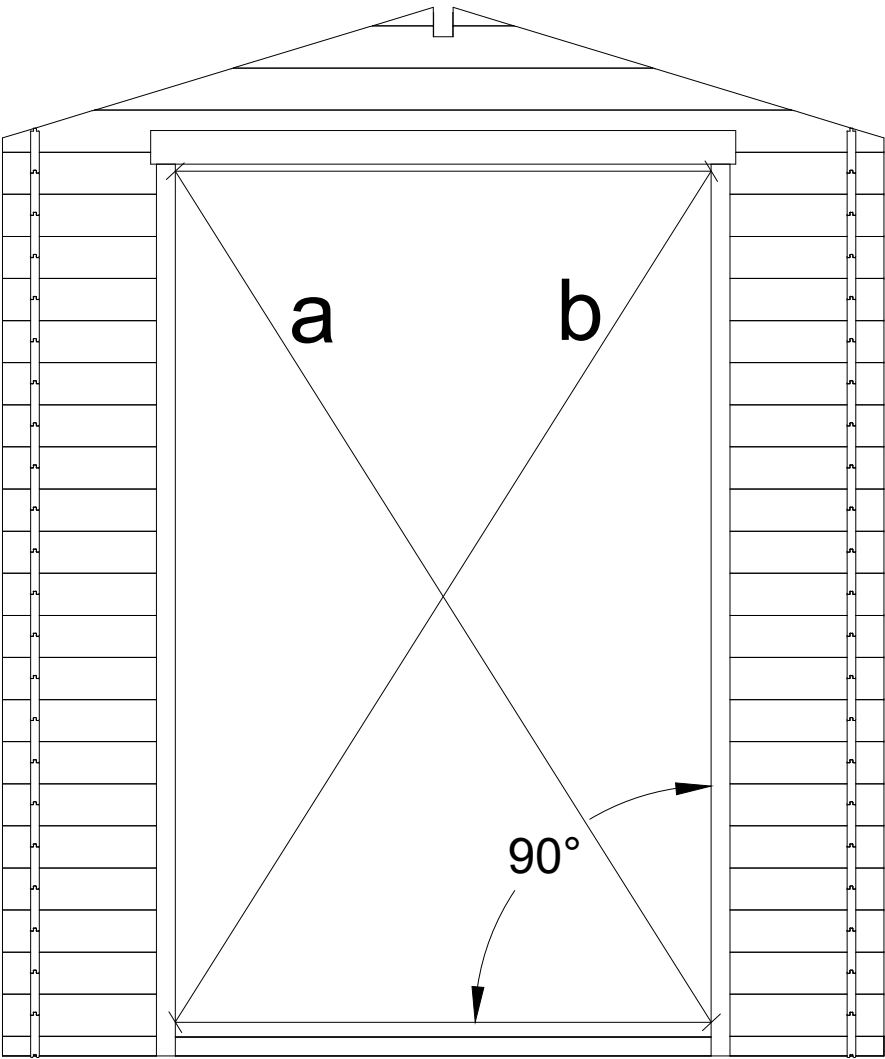
C x5



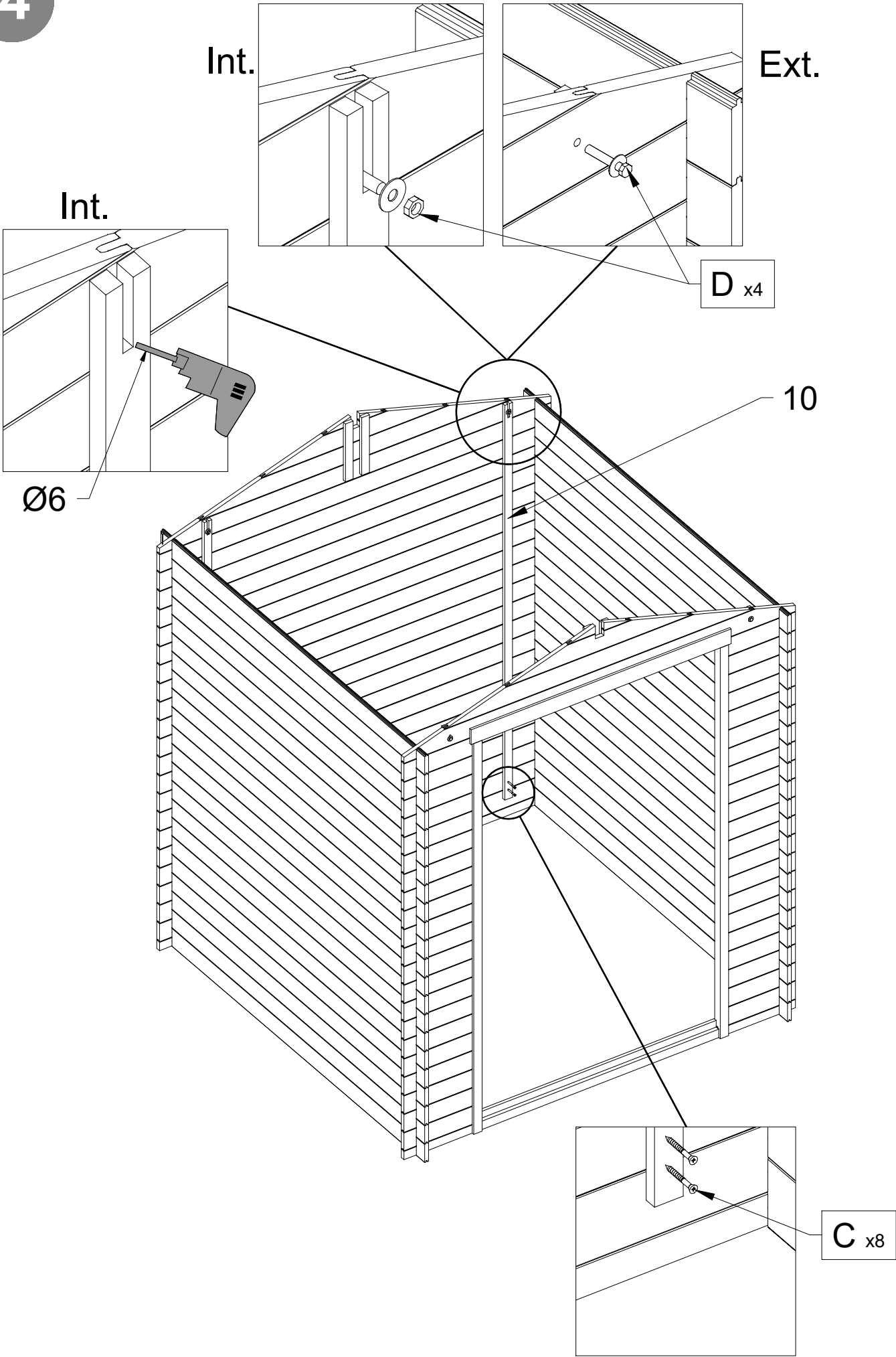
Int.

Ext.

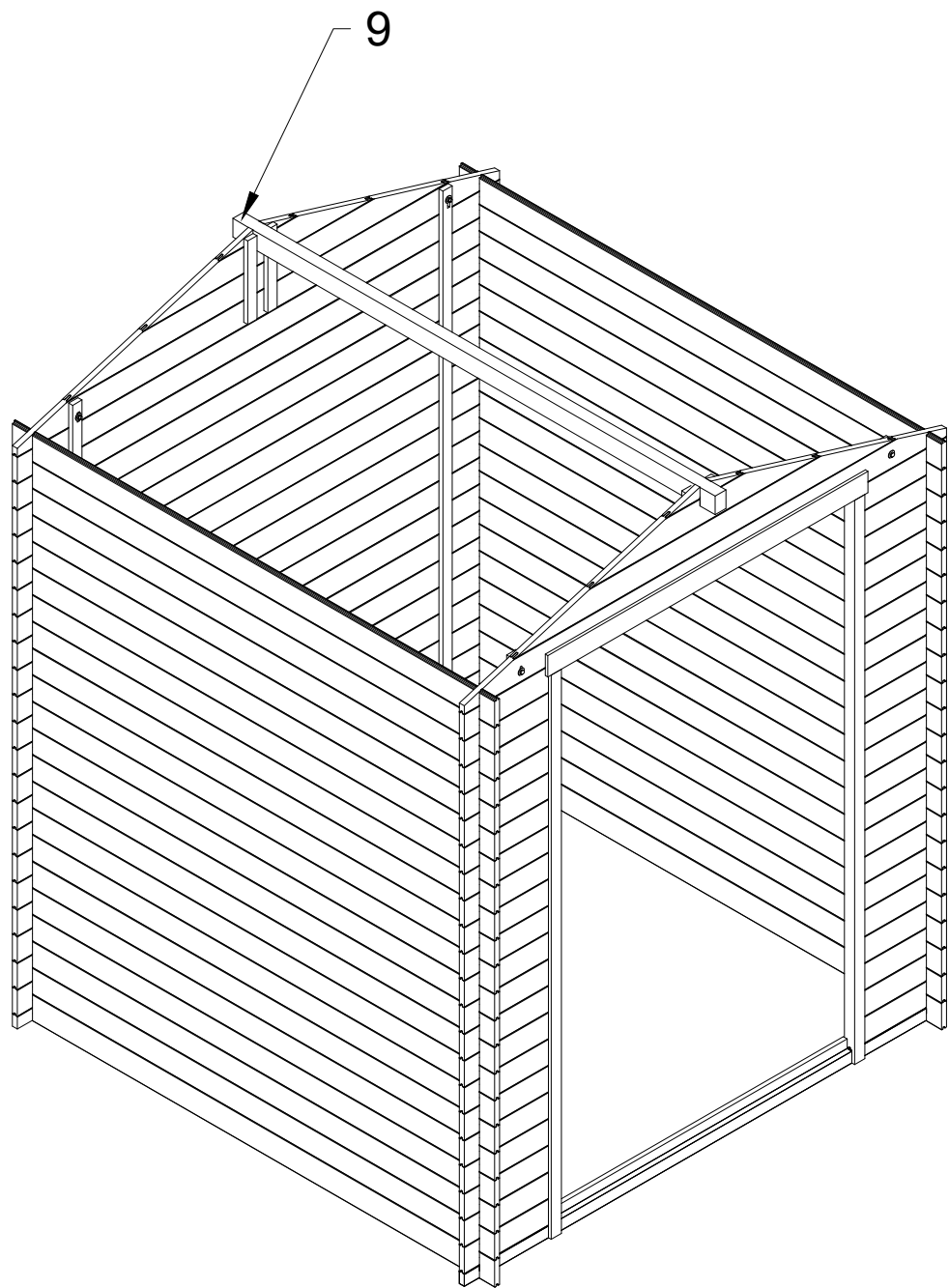
$$a=b$$



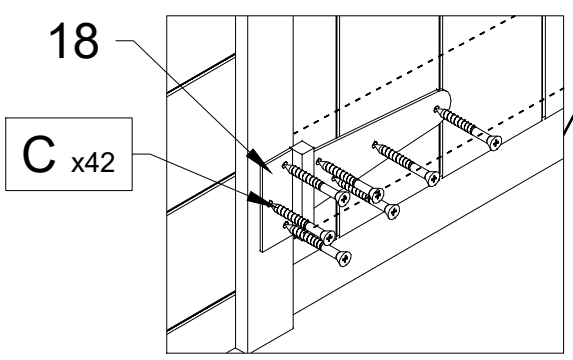
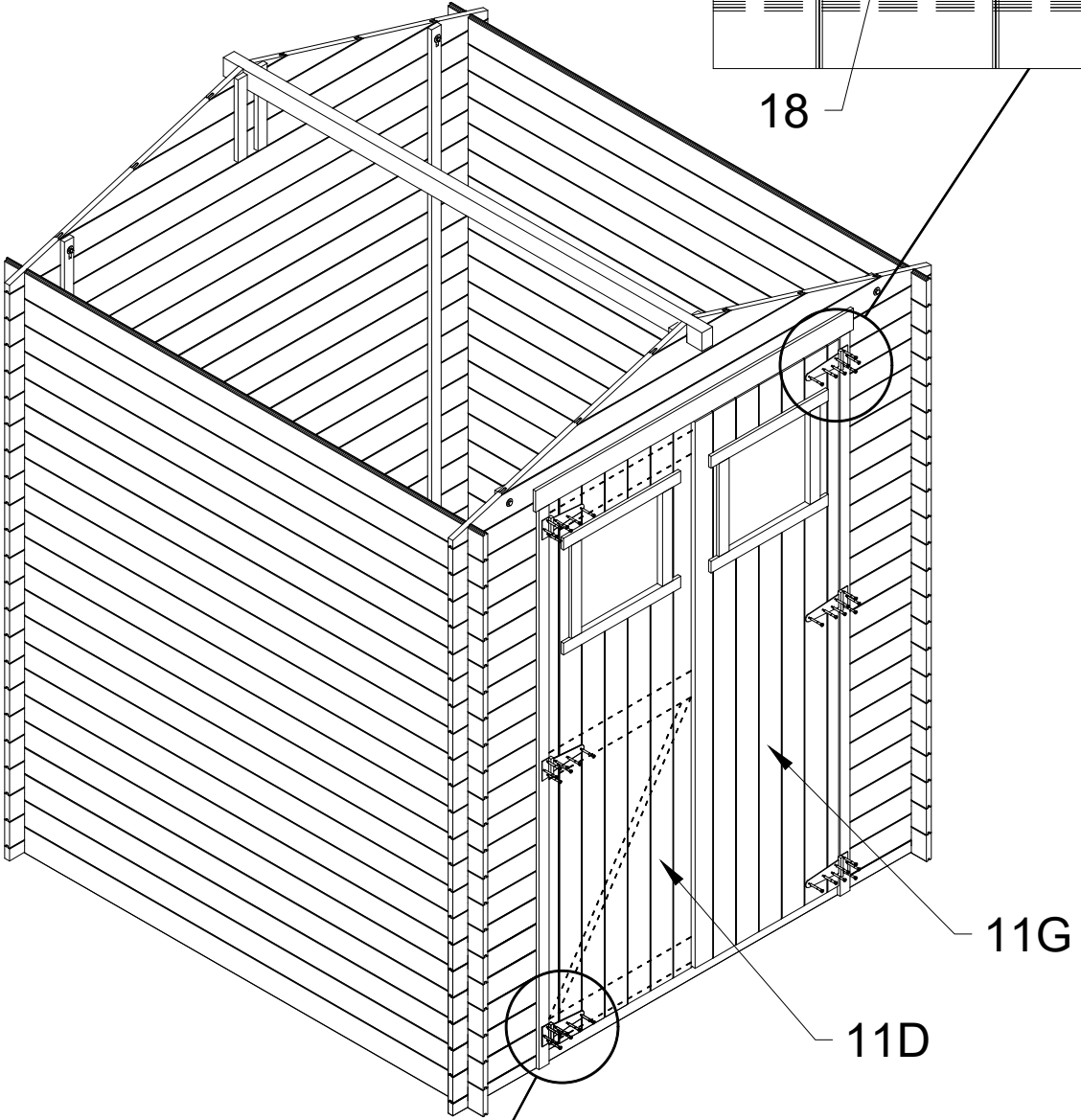
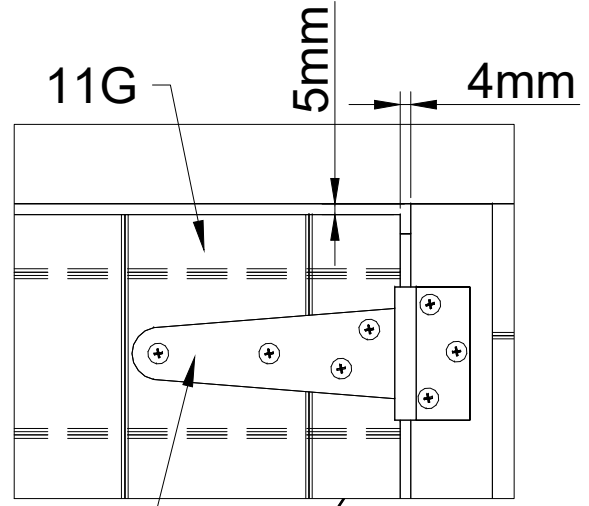
4



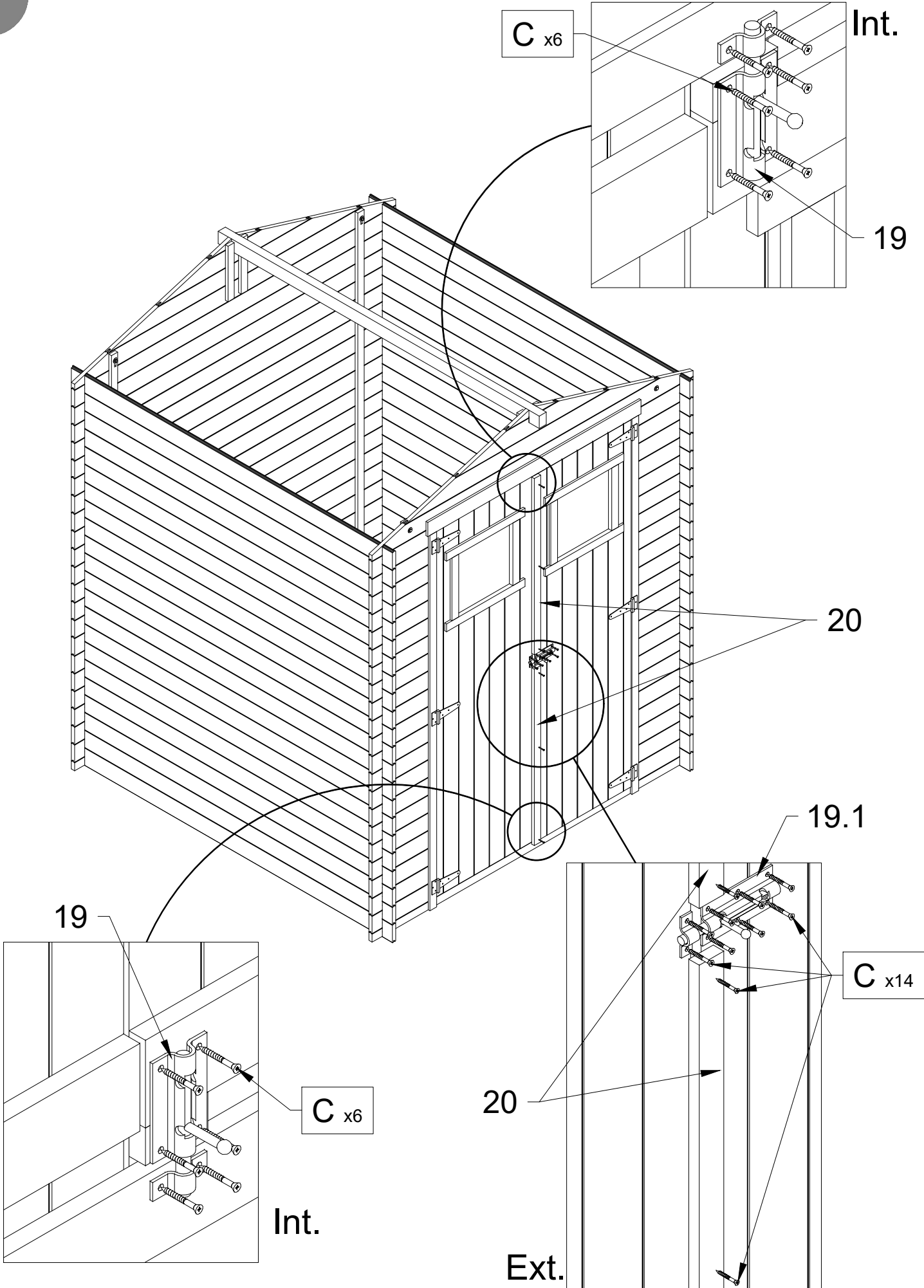
5



6



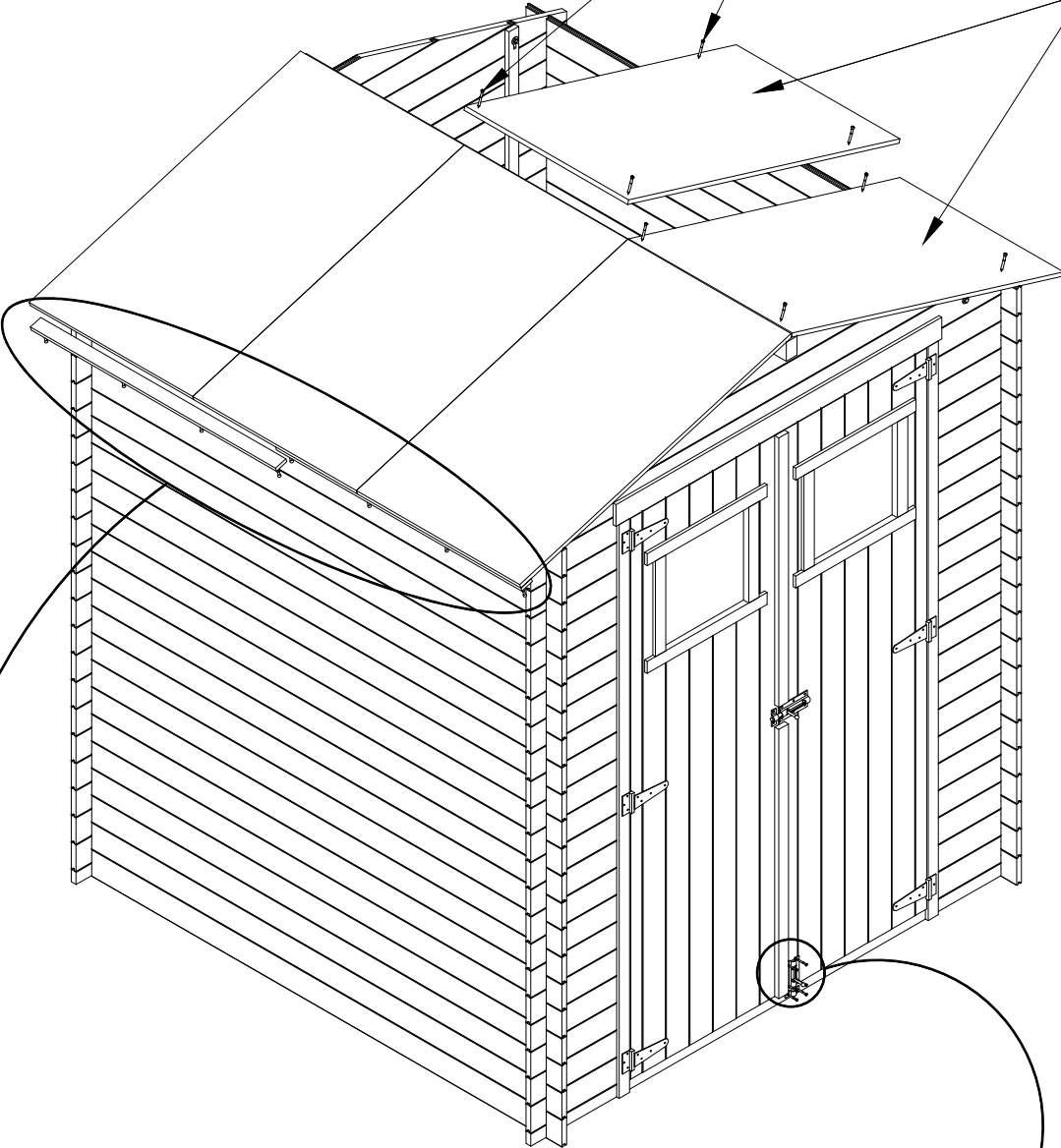
7



8

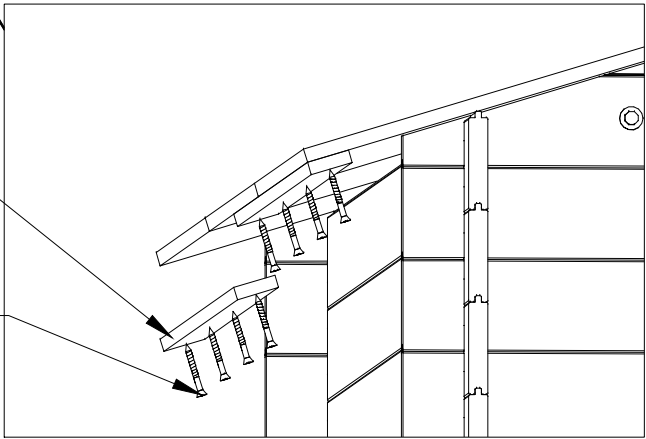
A x24

12



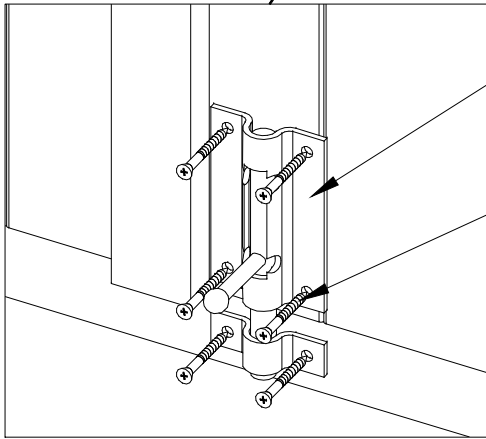
21

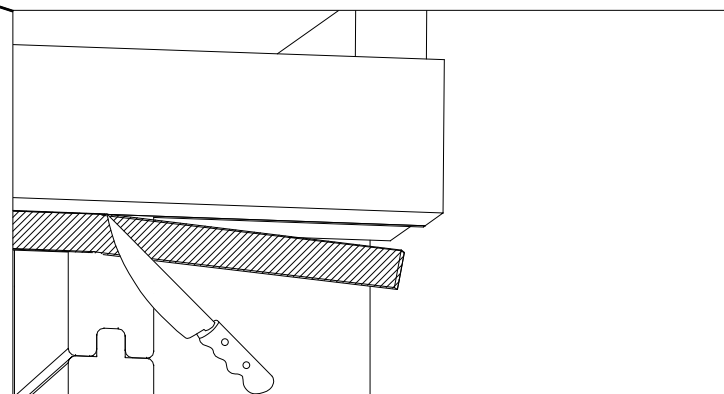
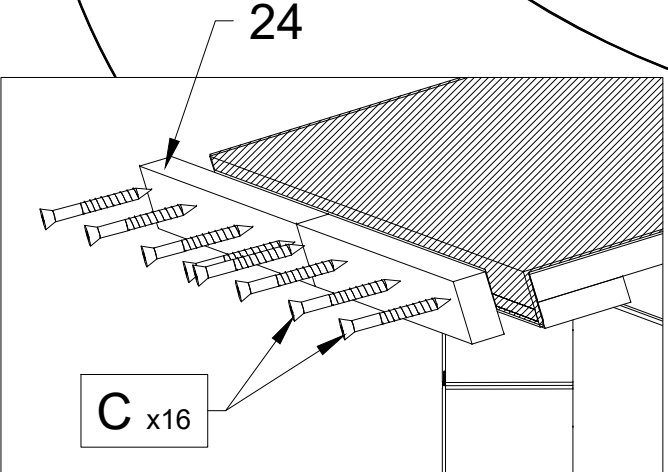
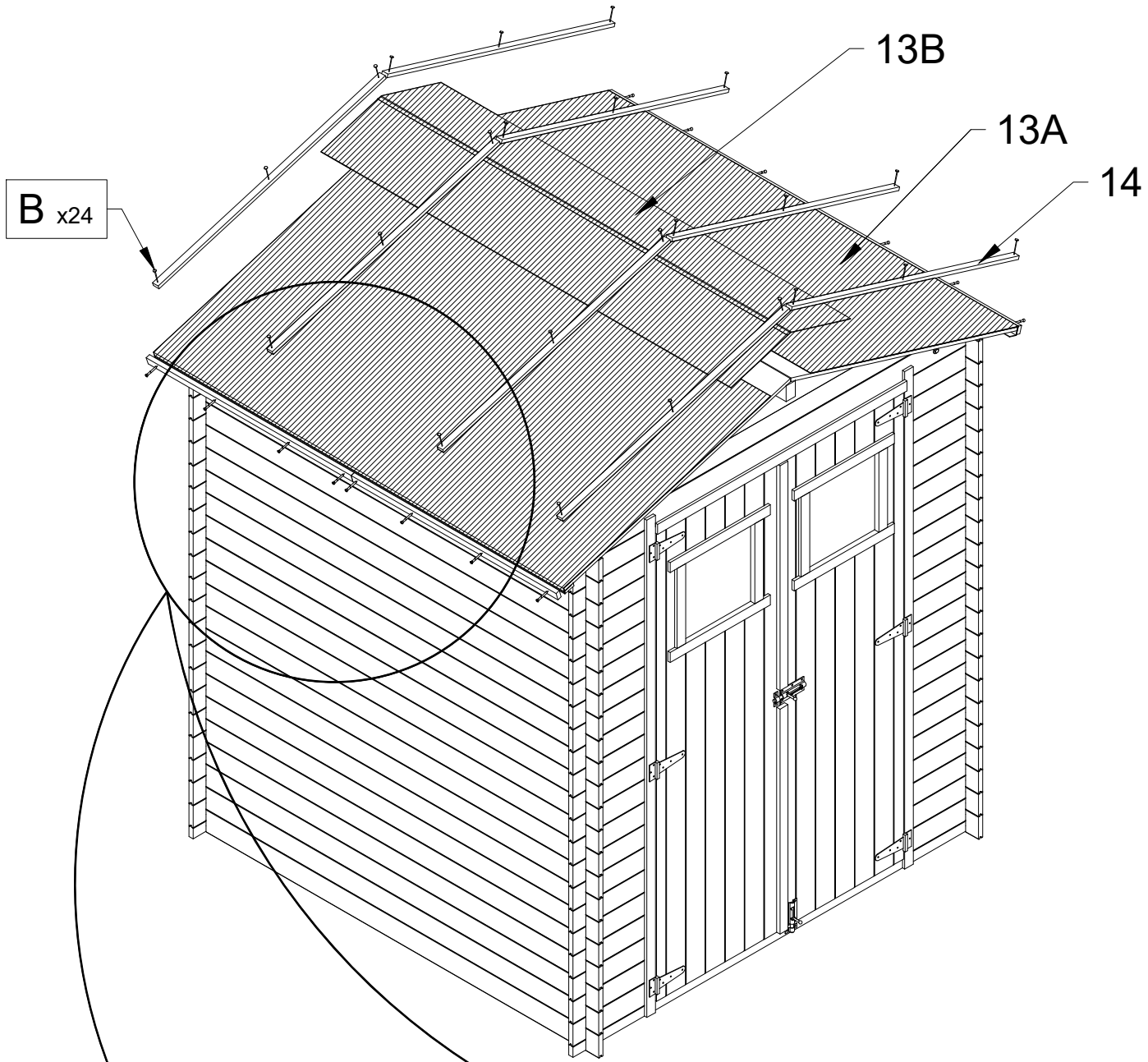
E x16

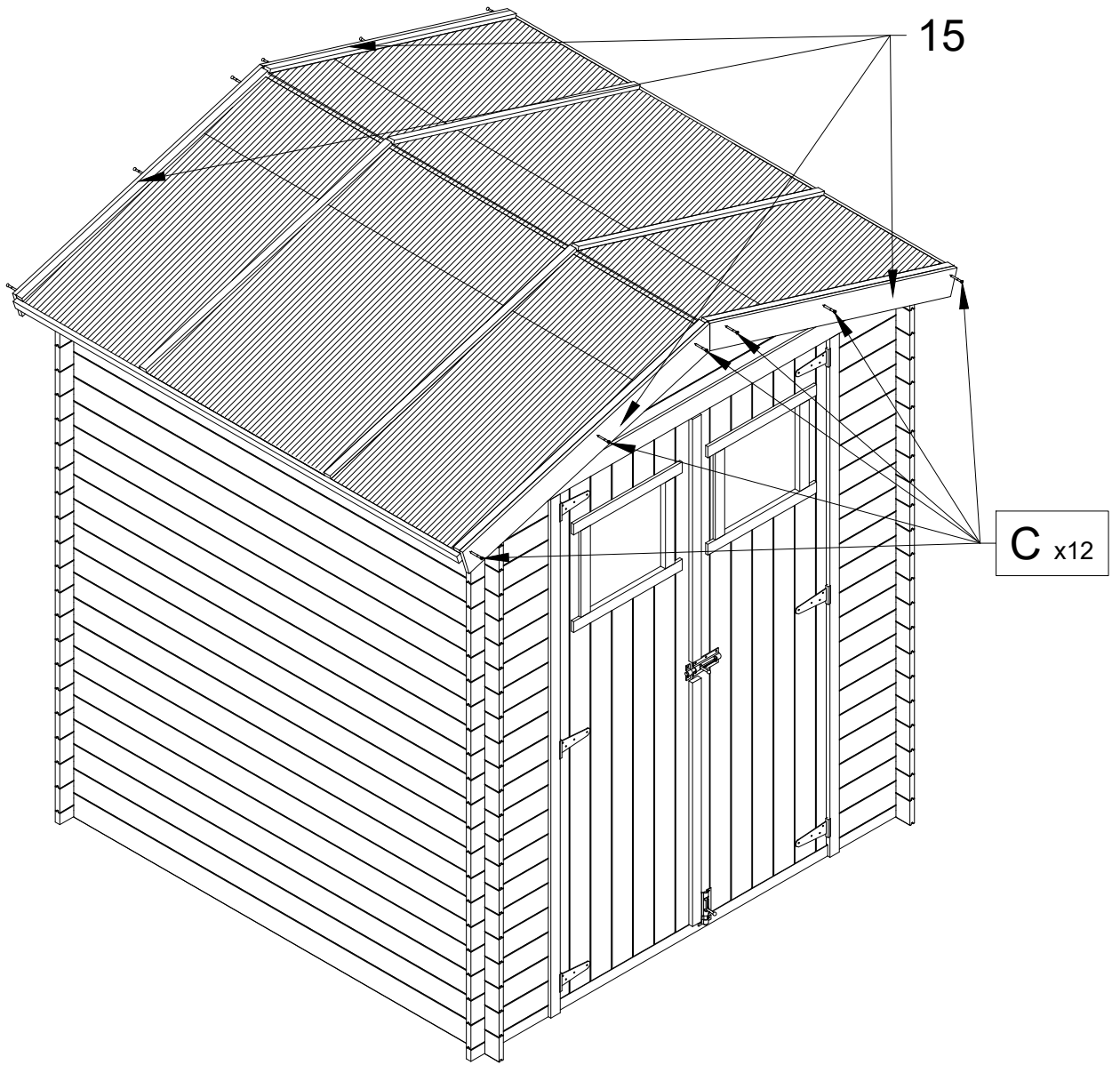


19

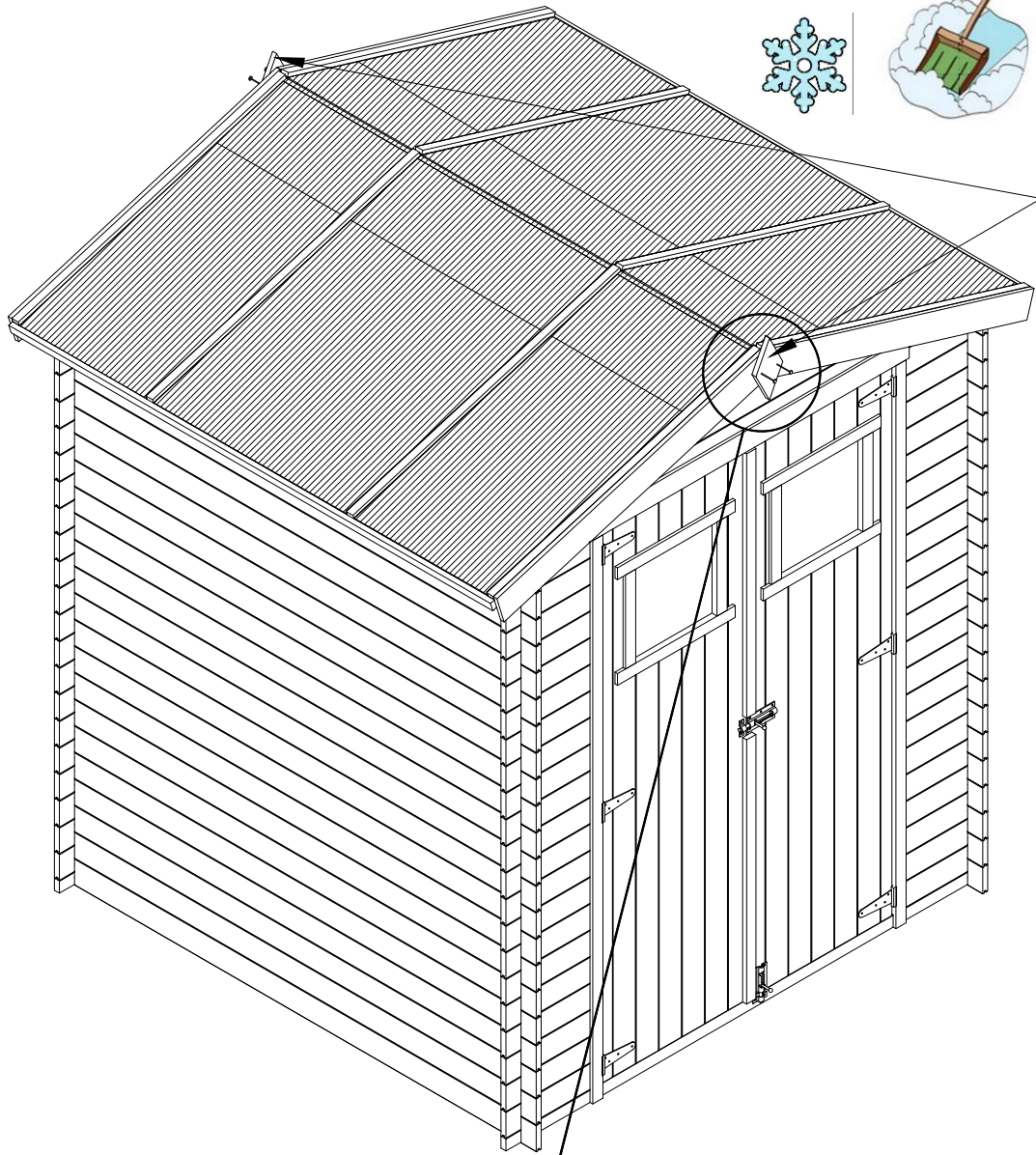
E x6



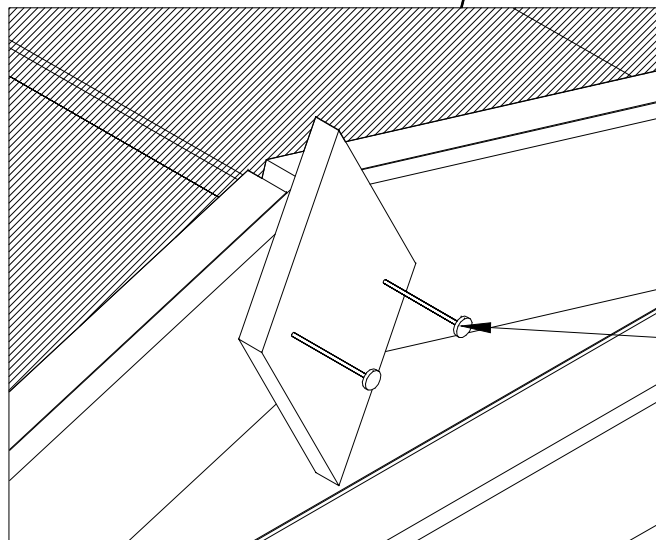




MAX
30 kg/m²



17



B x4