

16

13

7

12

20

19

3

10

4

11

5

36

21

6

26

26

21

6

26

21

2

21

22

27.1

27.4

27.5

18

24

8

15

1

17

36

14

26

2

21

22

27.1

27.4

27.5

27

27.2

25

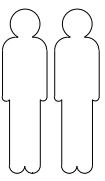
27.3

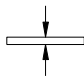
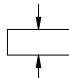
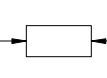
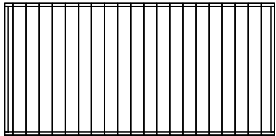
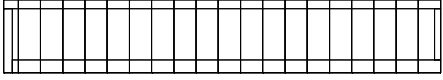
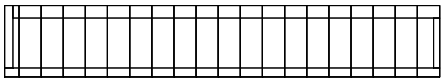
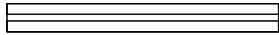
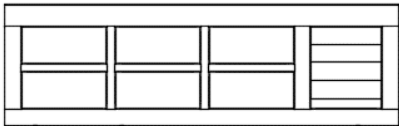
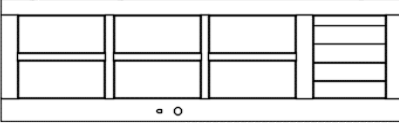
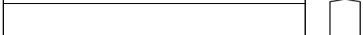


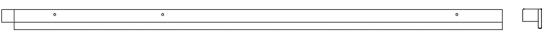


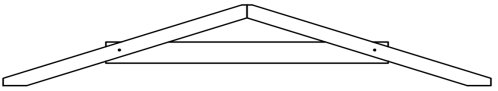
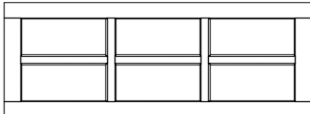

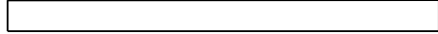
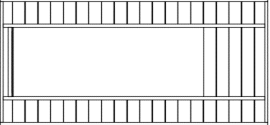
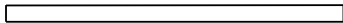
9

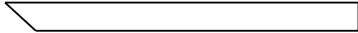





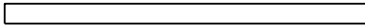


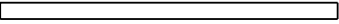
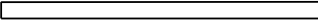
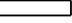


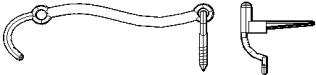
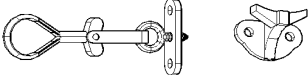
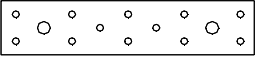

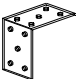

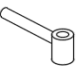
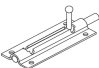
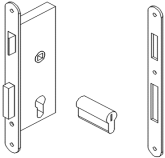
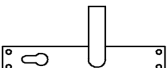

23

27.5

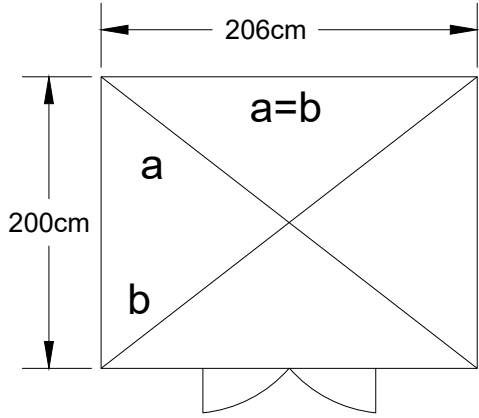
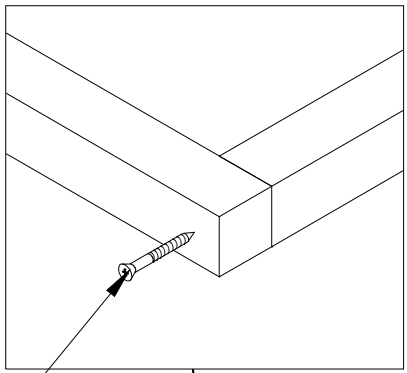
A	4x45	x 243
B	3x25	x 311
C	1.4x25	x 184
D	3x20	x 16
E	1.4x40	x 192
F	4x70	x 16
H	5x100	x 2
J	4x30	x 5



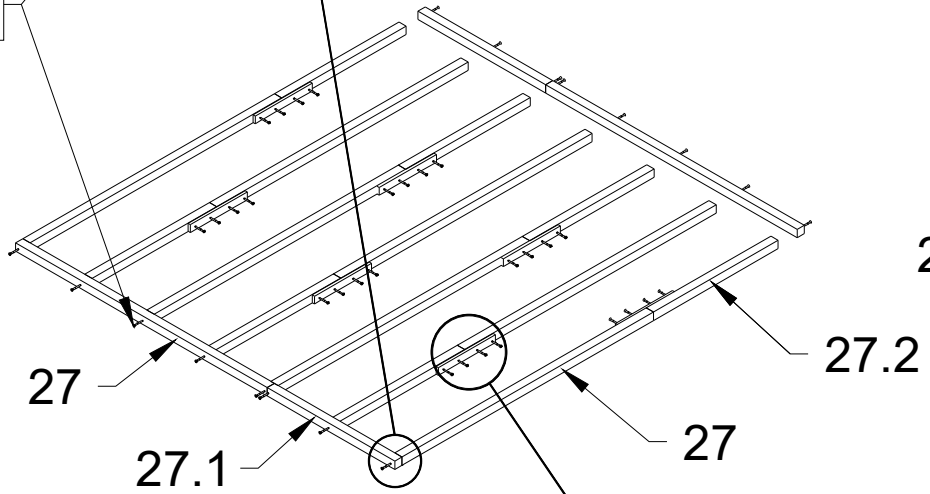
№		PCS			
			mm	mm	mm
1		5		980	1900
2		1		363	1900
3		1		363	1900
4		1		89	1234
5		1		582	1754
6		1		582	1754
7		2	40	60	1085
8		4	40	60	950
9		1	58	70	1810
10		1	58	70	1810
11		1	58	70	1324
12		2		330	2054
13		1		354	1960
14		1		547	1363
15		6	17	47	723
16		50	19	92	1170
17		1		980	1900
18		4	15	35	1085

19		4	13	92	1200
20		2	15	75	145
21		36	10	10	390
22		7	15	69	1835
23		4	17	47	1894
24		1	15	69	323
25		1	30	60	1234
26		36	10	10	190
27		9	38	38	1324
27.1		2	38	38	672
27.2		7	38	38	656
27.3		7	15	35	150
27.4		24	19	92	1324
27.5		24	19	92	672
28		1			
28.1		2			
29		6			
30		4			
31		7			
32		8			
32.1		8			
33		2			
34		1			
35		1			
36		18	4	187	388

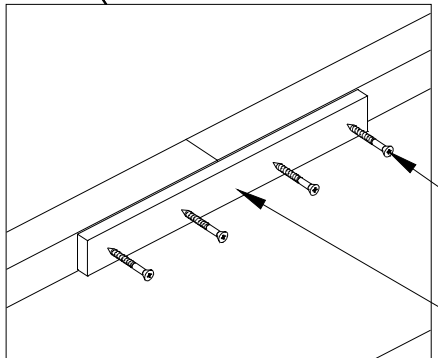
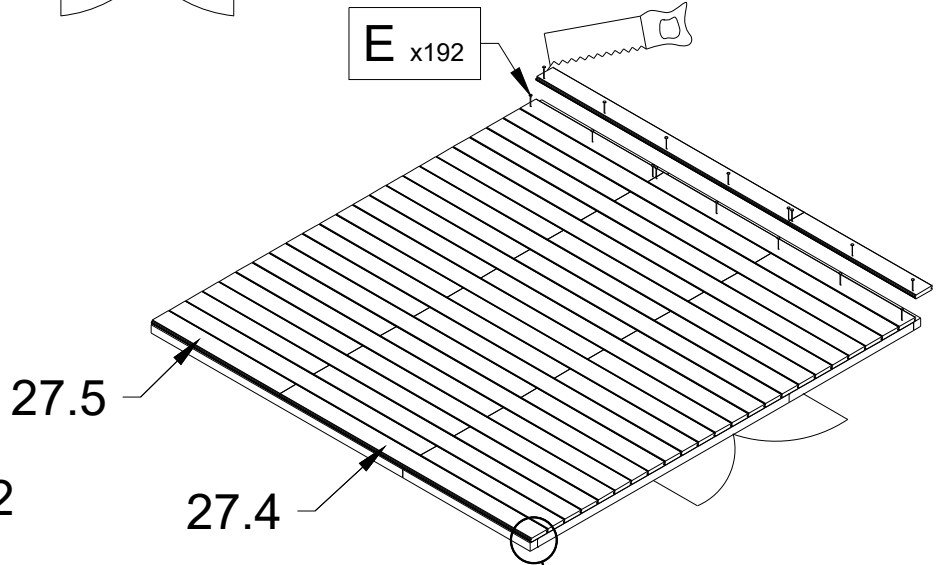
1



F x16

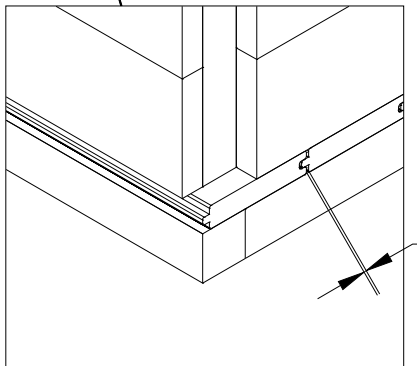


E x192



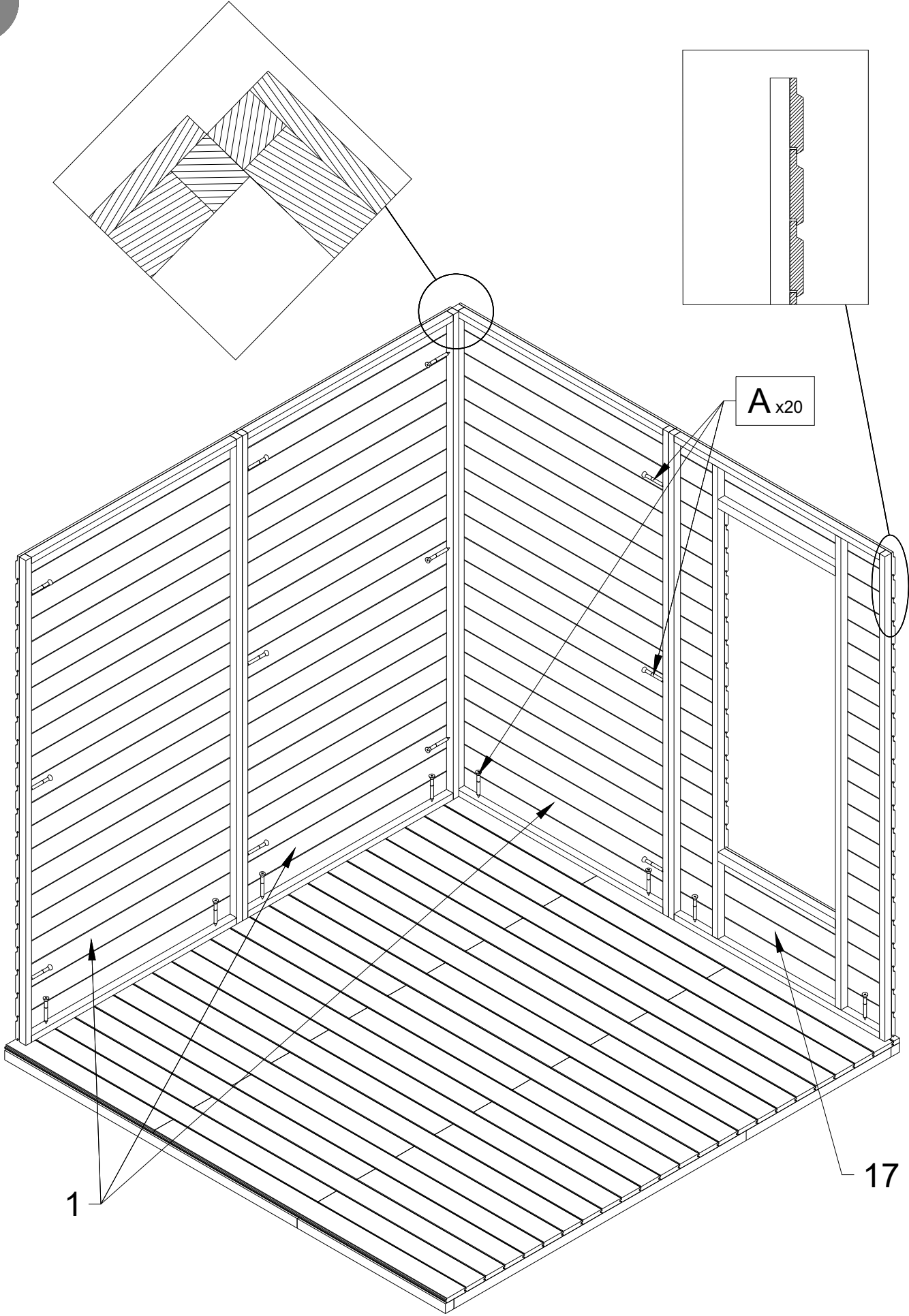
A x28

27.3

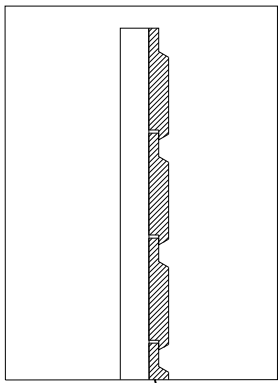
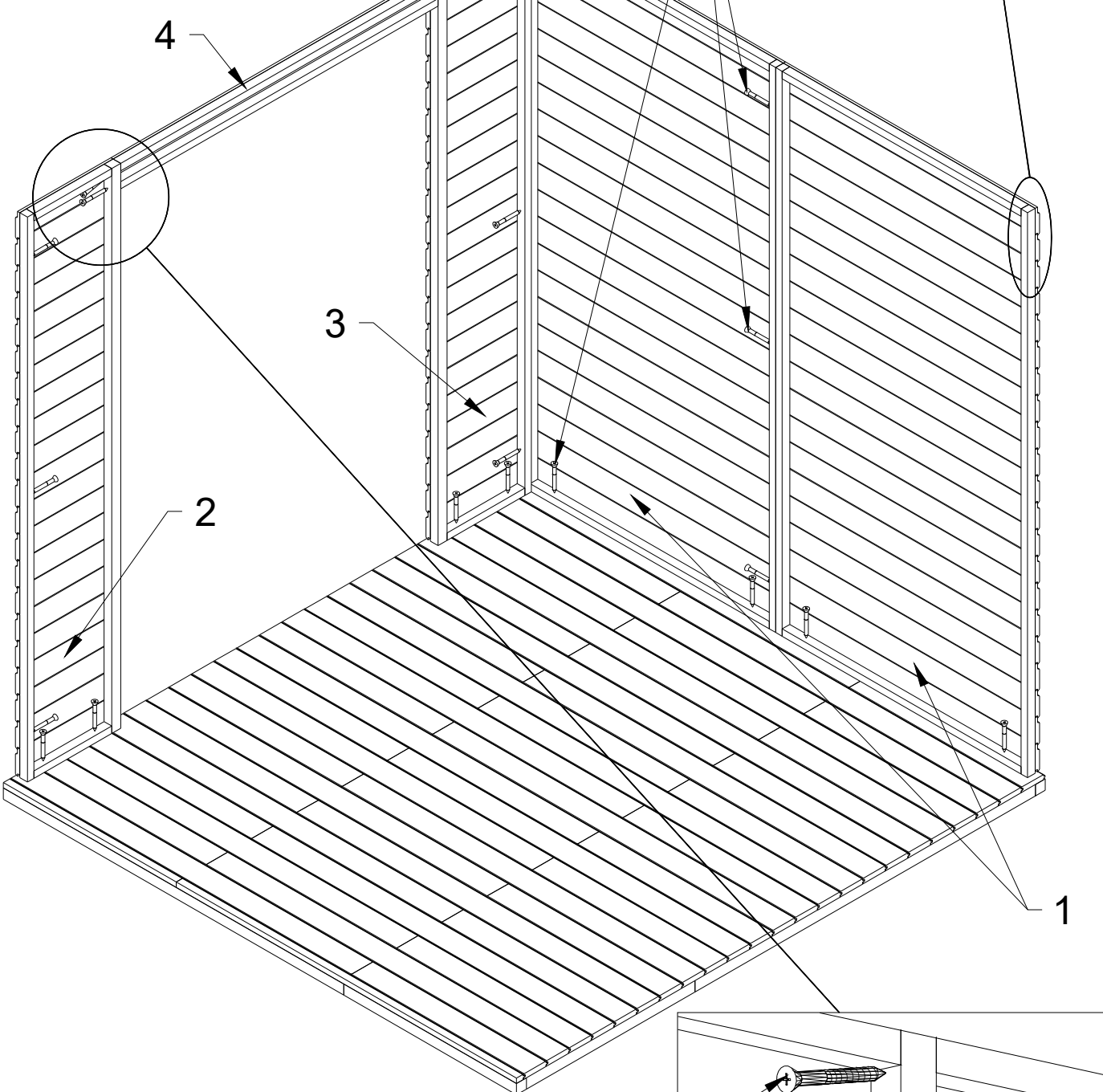
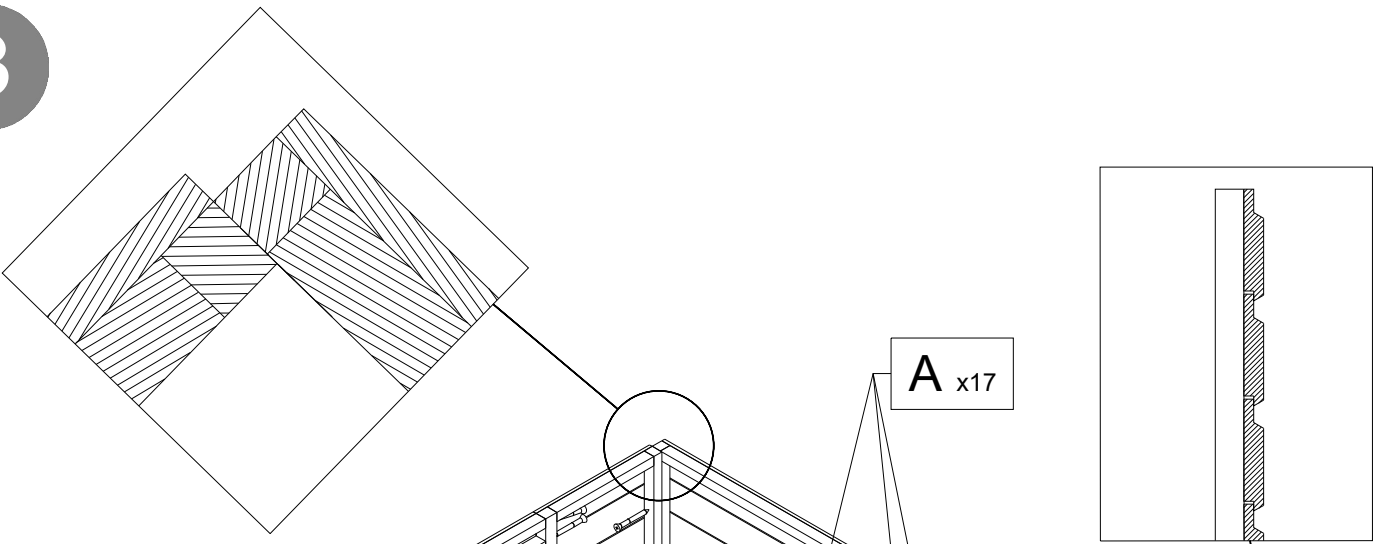


~2mm

2

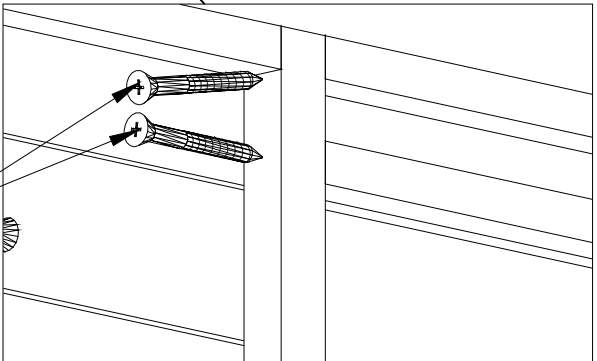


3

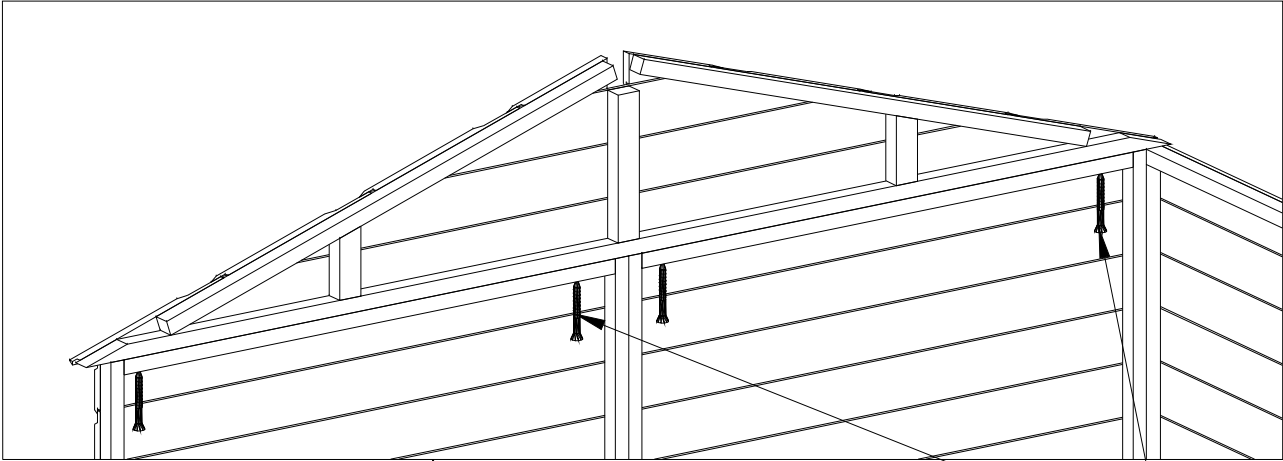


A x17

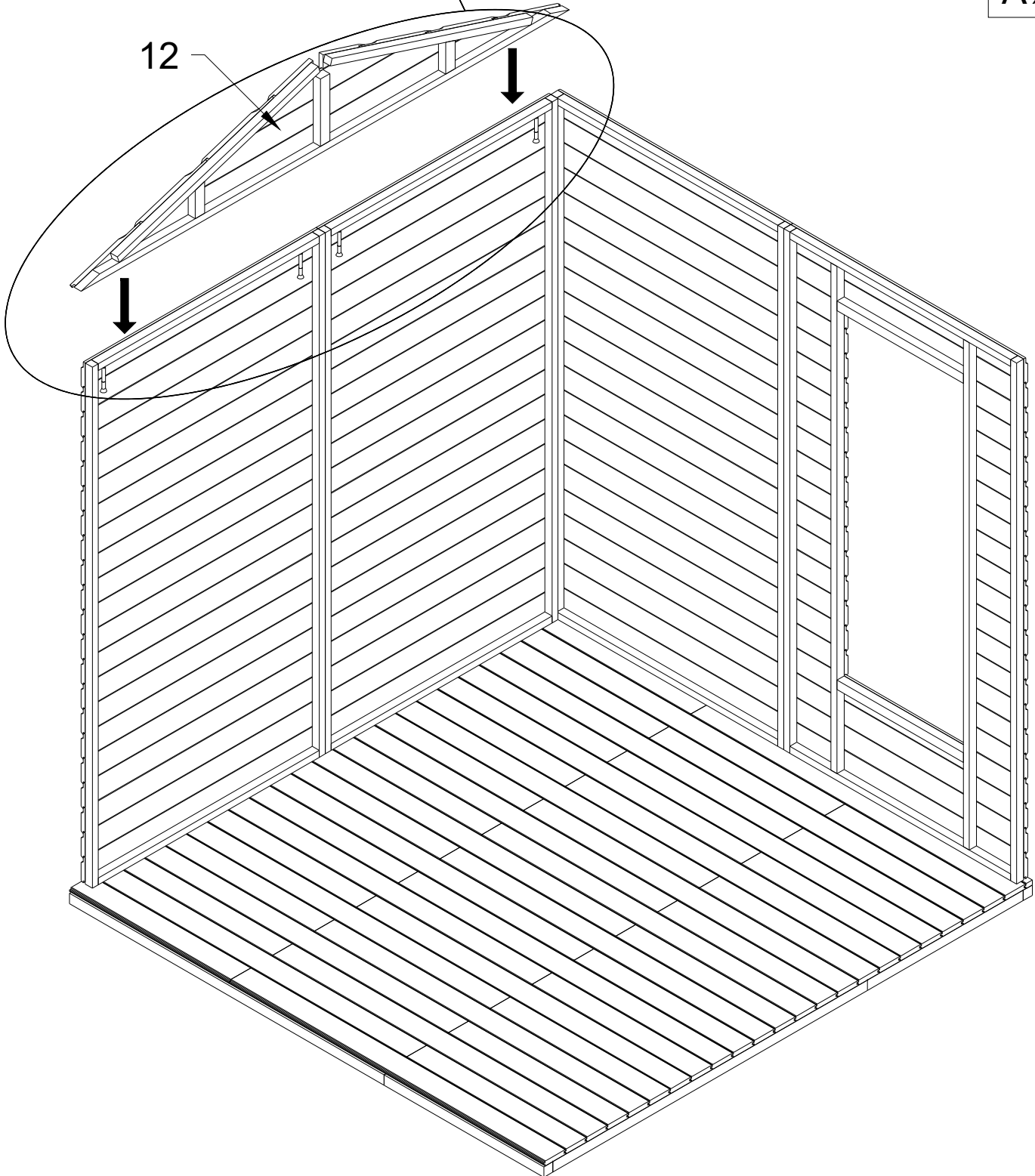
A x4



4

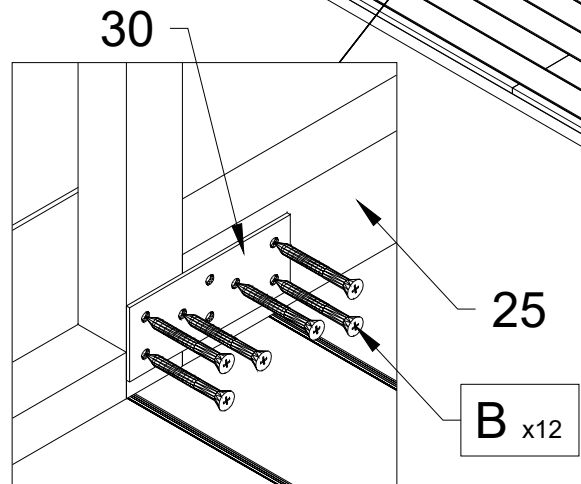
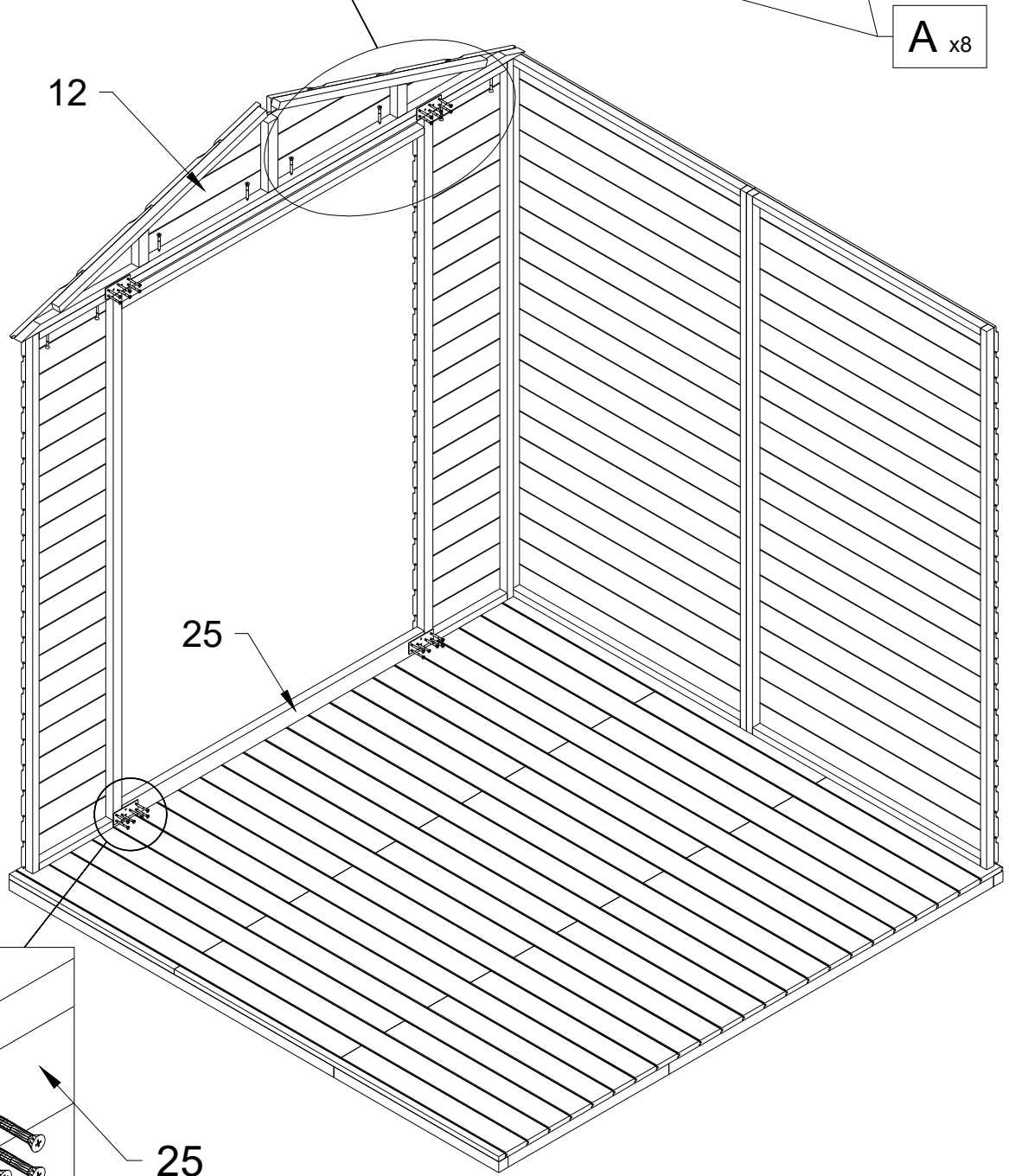
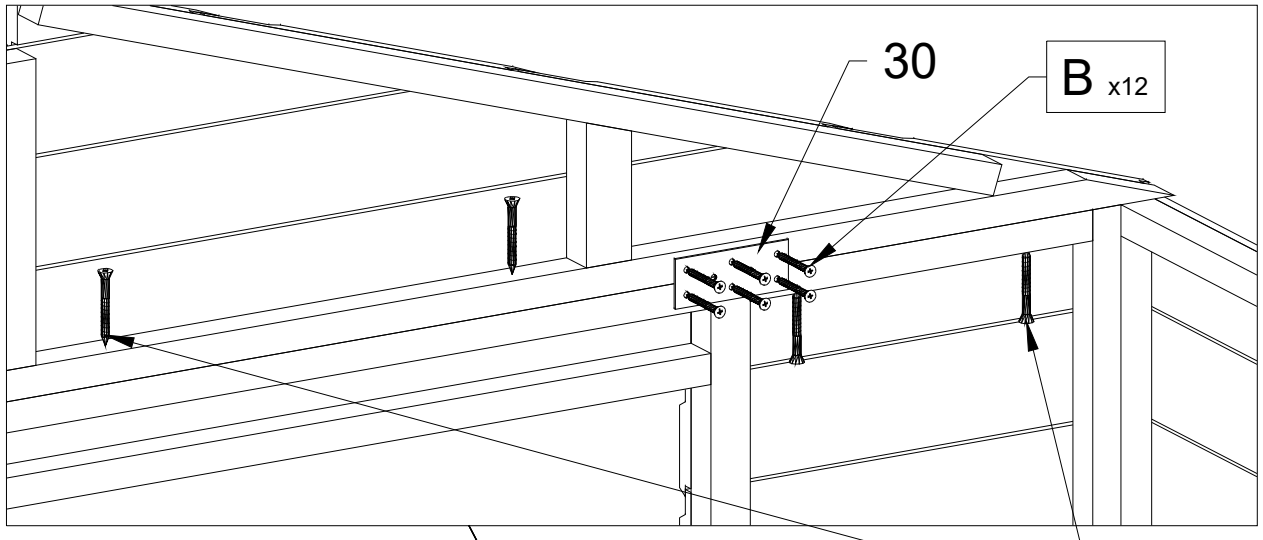


A<sub>x4</sub>

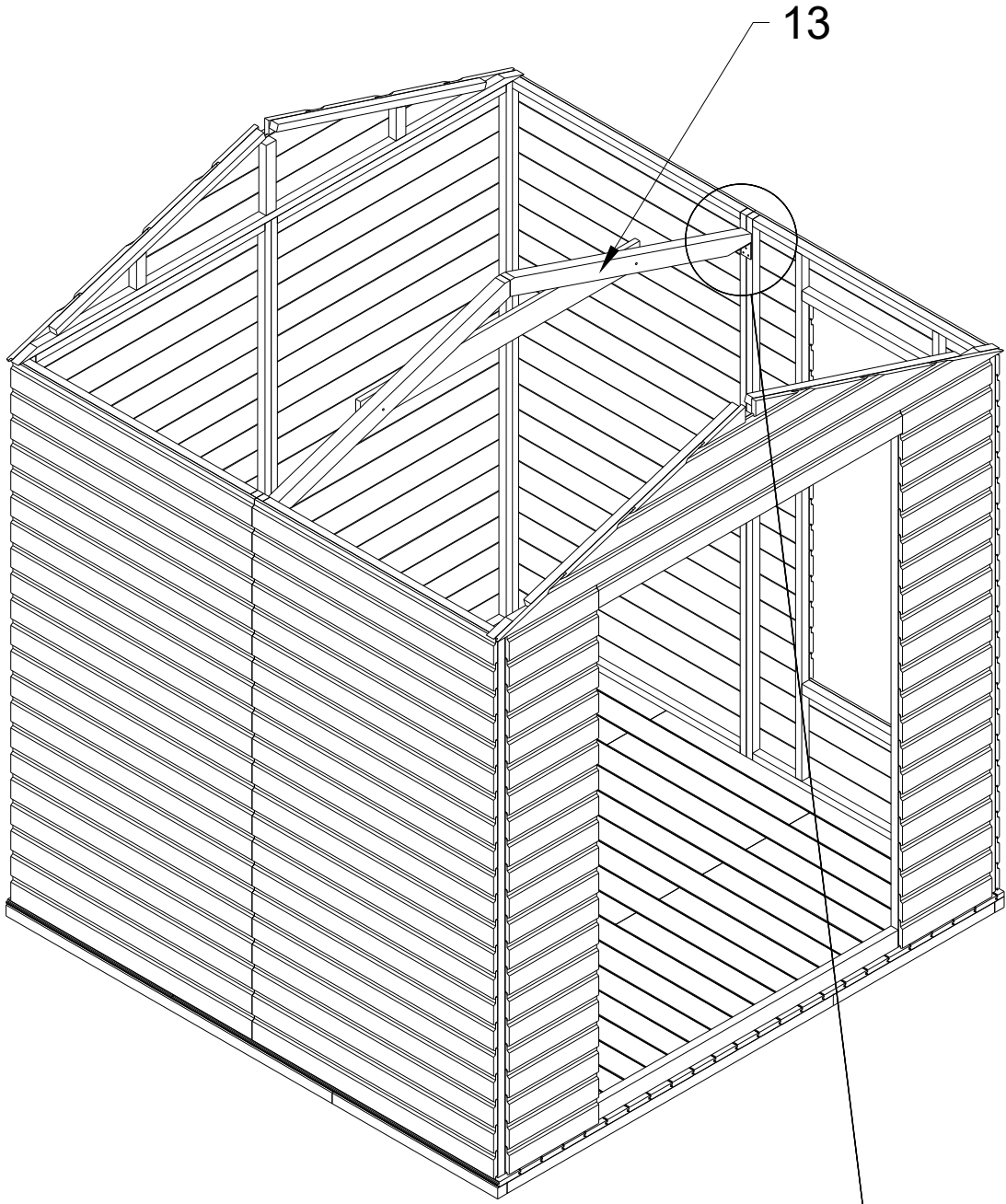


12

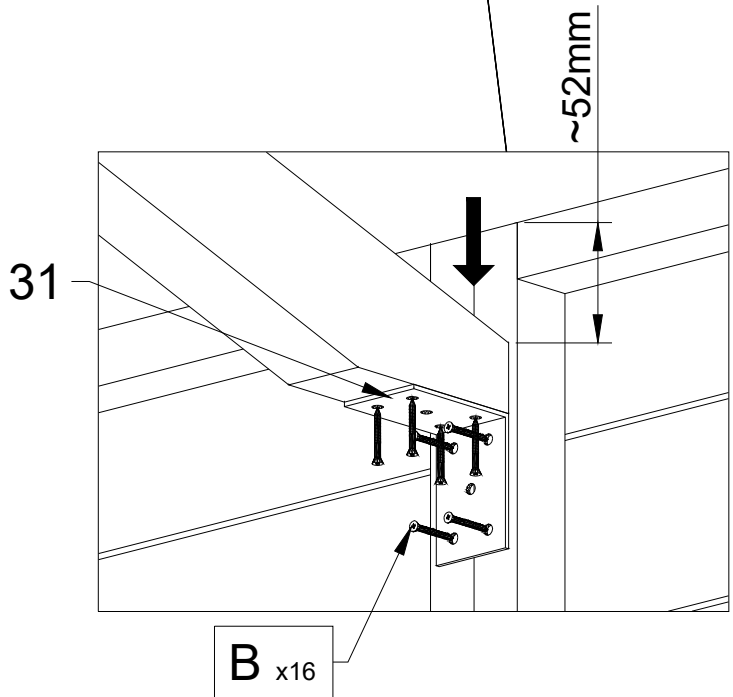
5



6



13

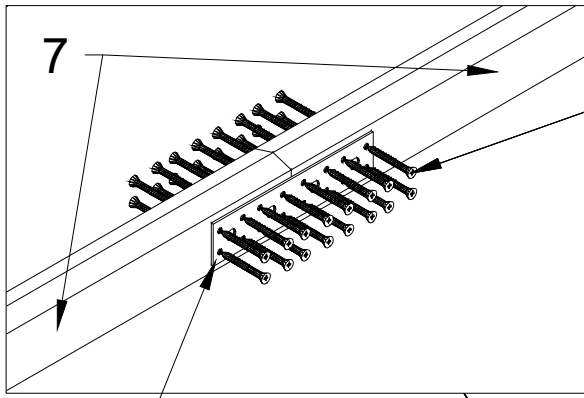


~52mm

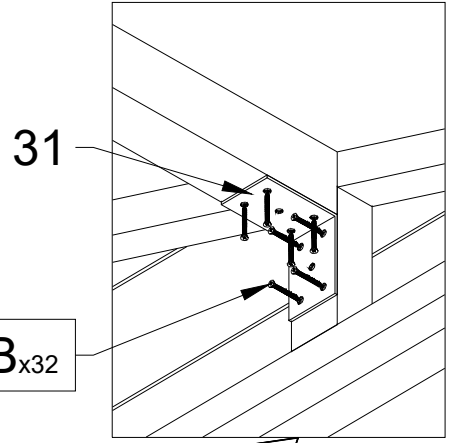
31

B x16

7

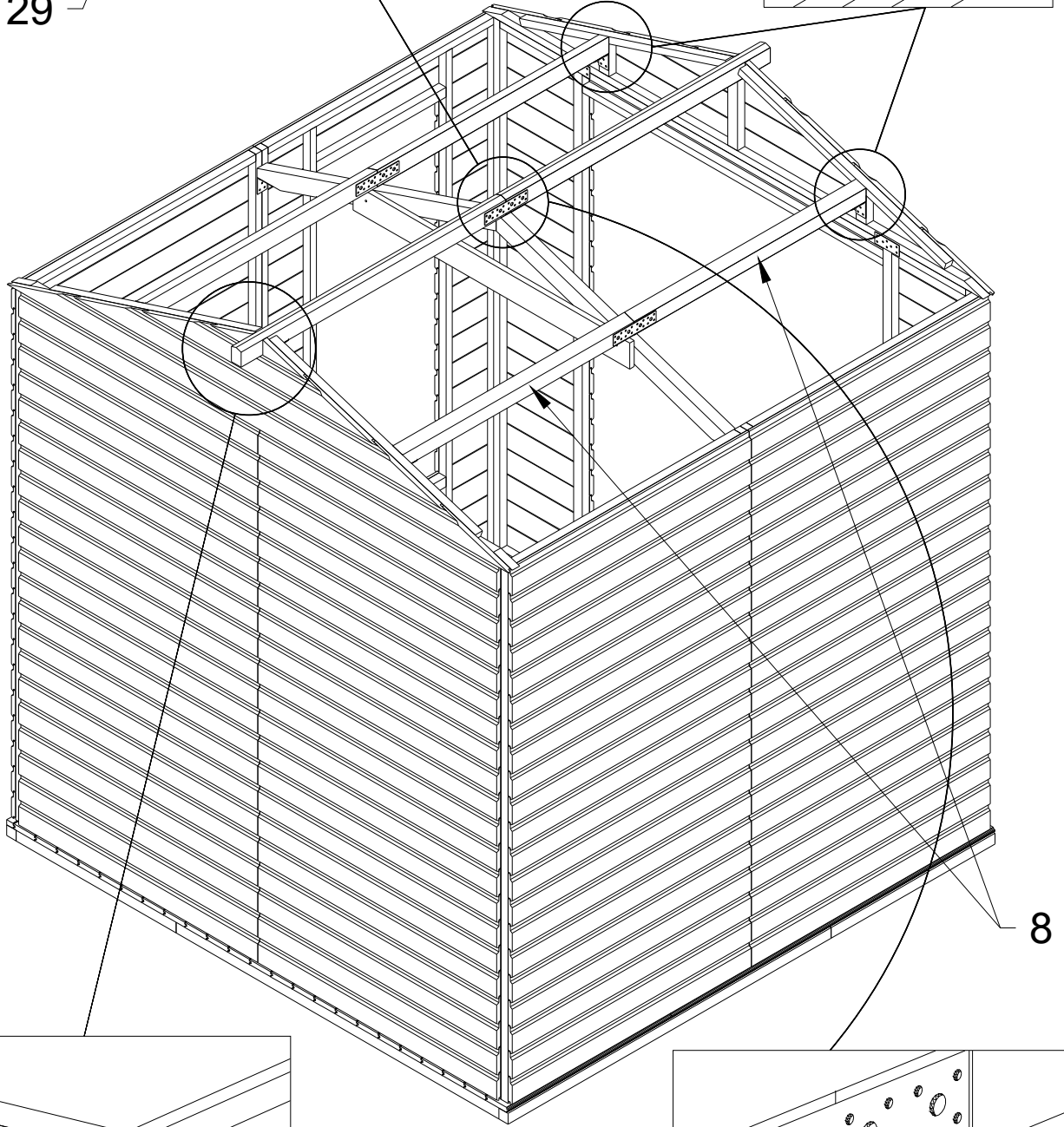


B<sub>x96</sub>

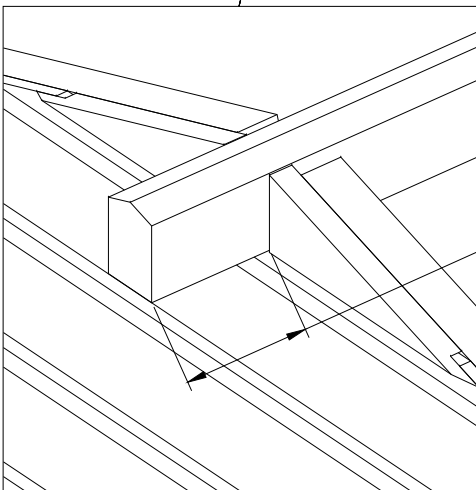


B<sub>x32</sub>

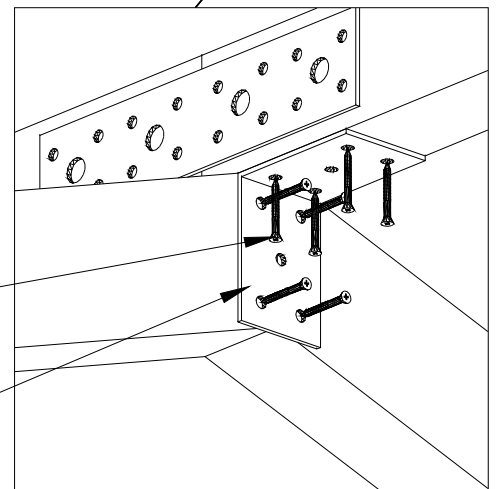
29



8

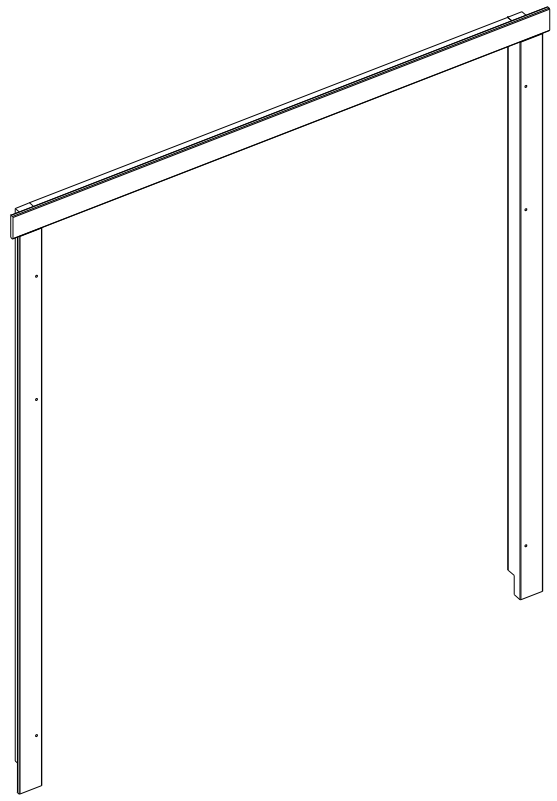
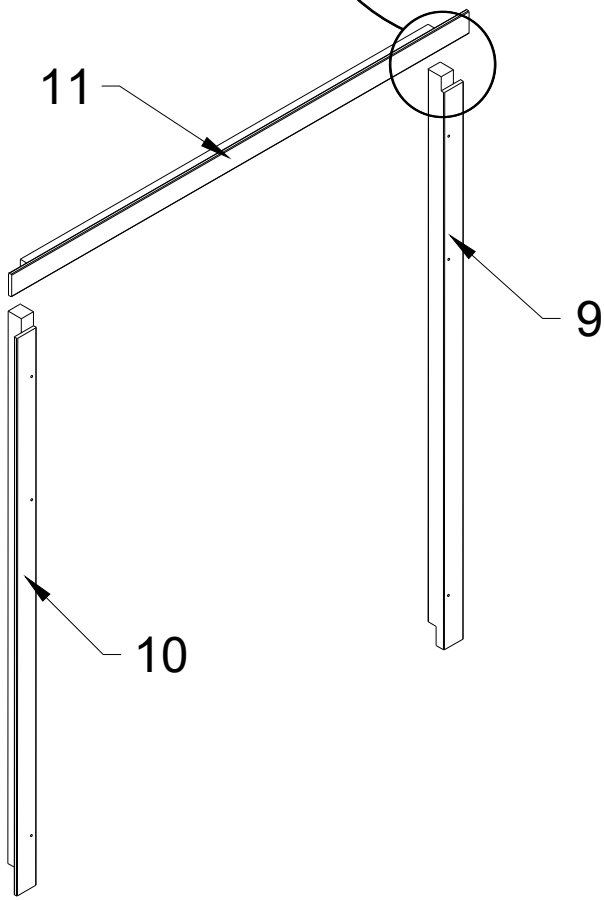
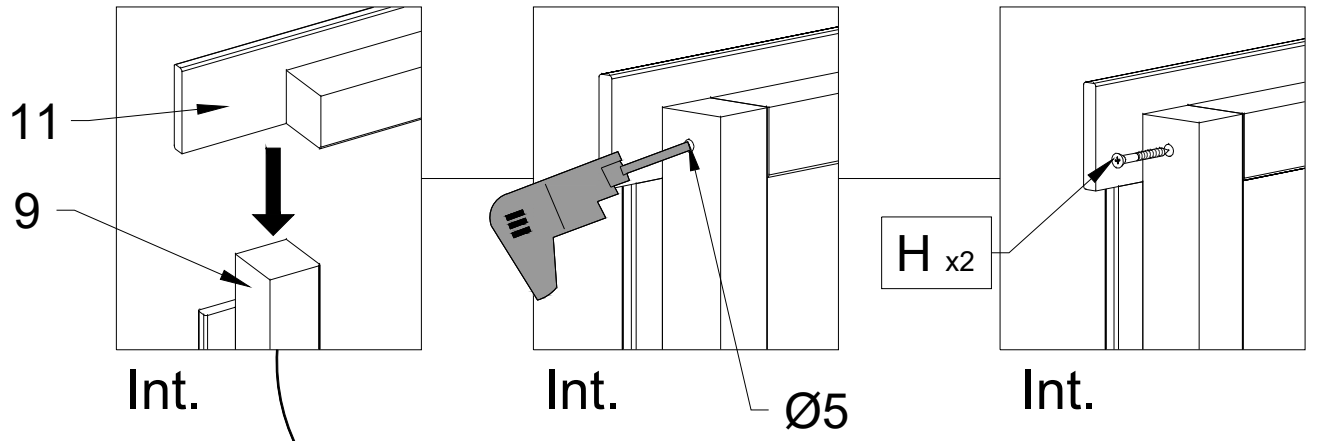


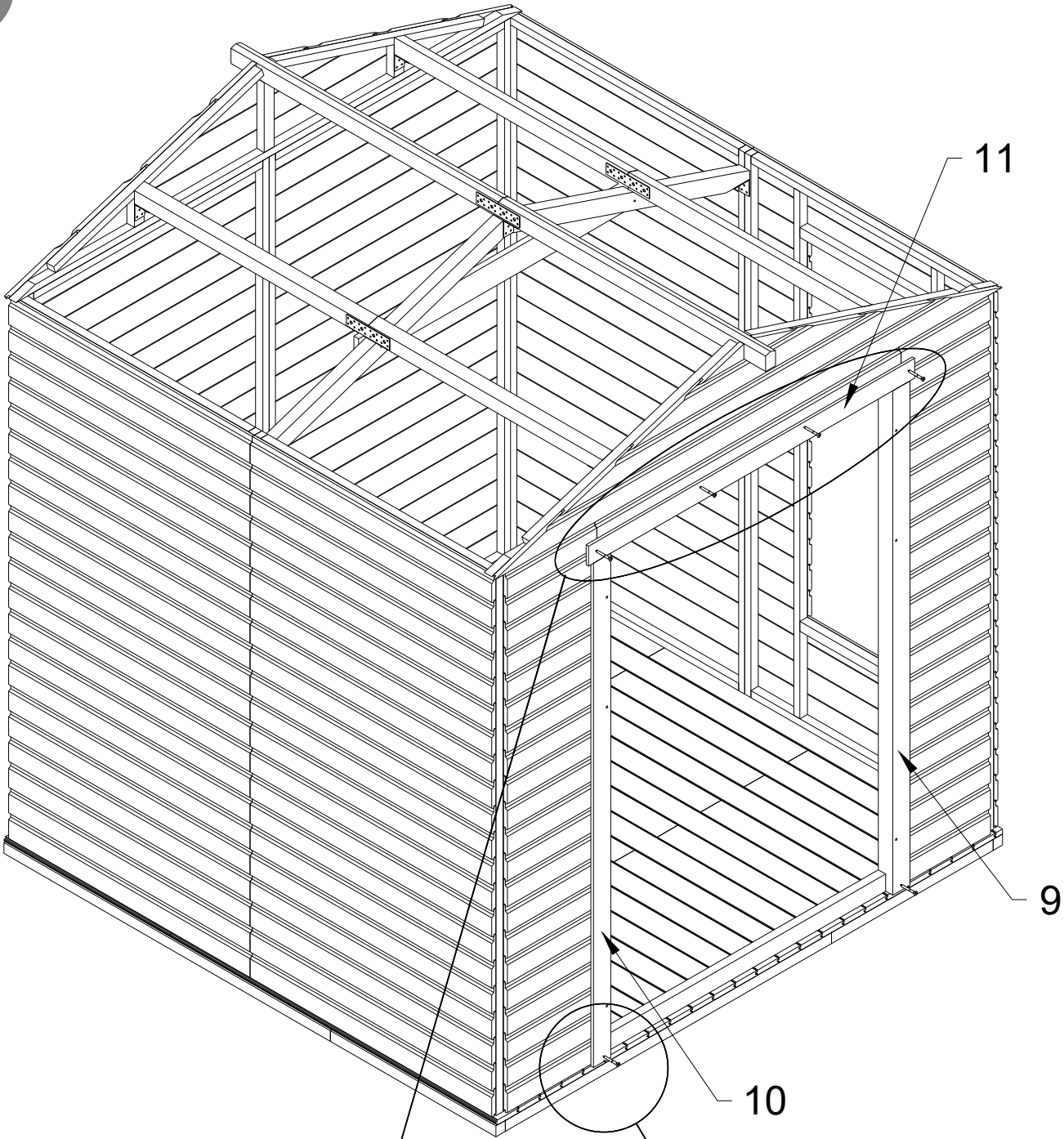
88 mm



B<sub>x8</sub>

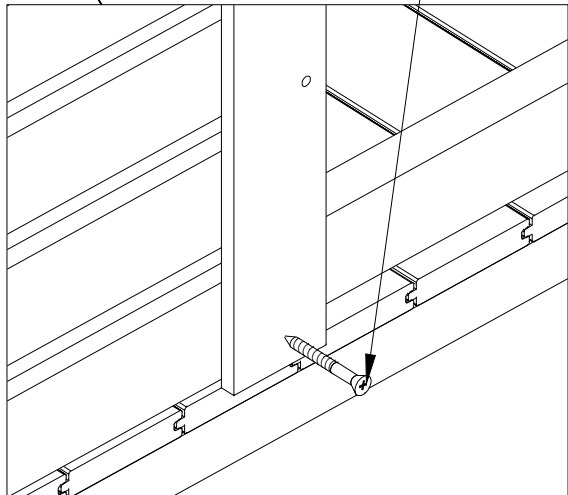
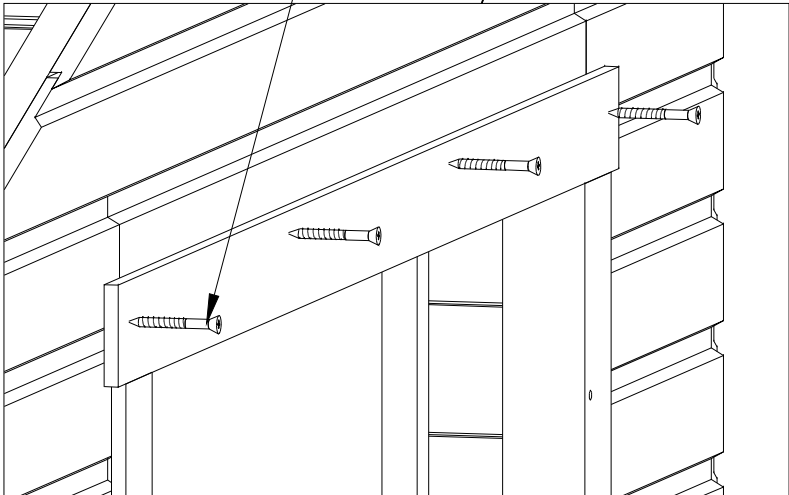
31



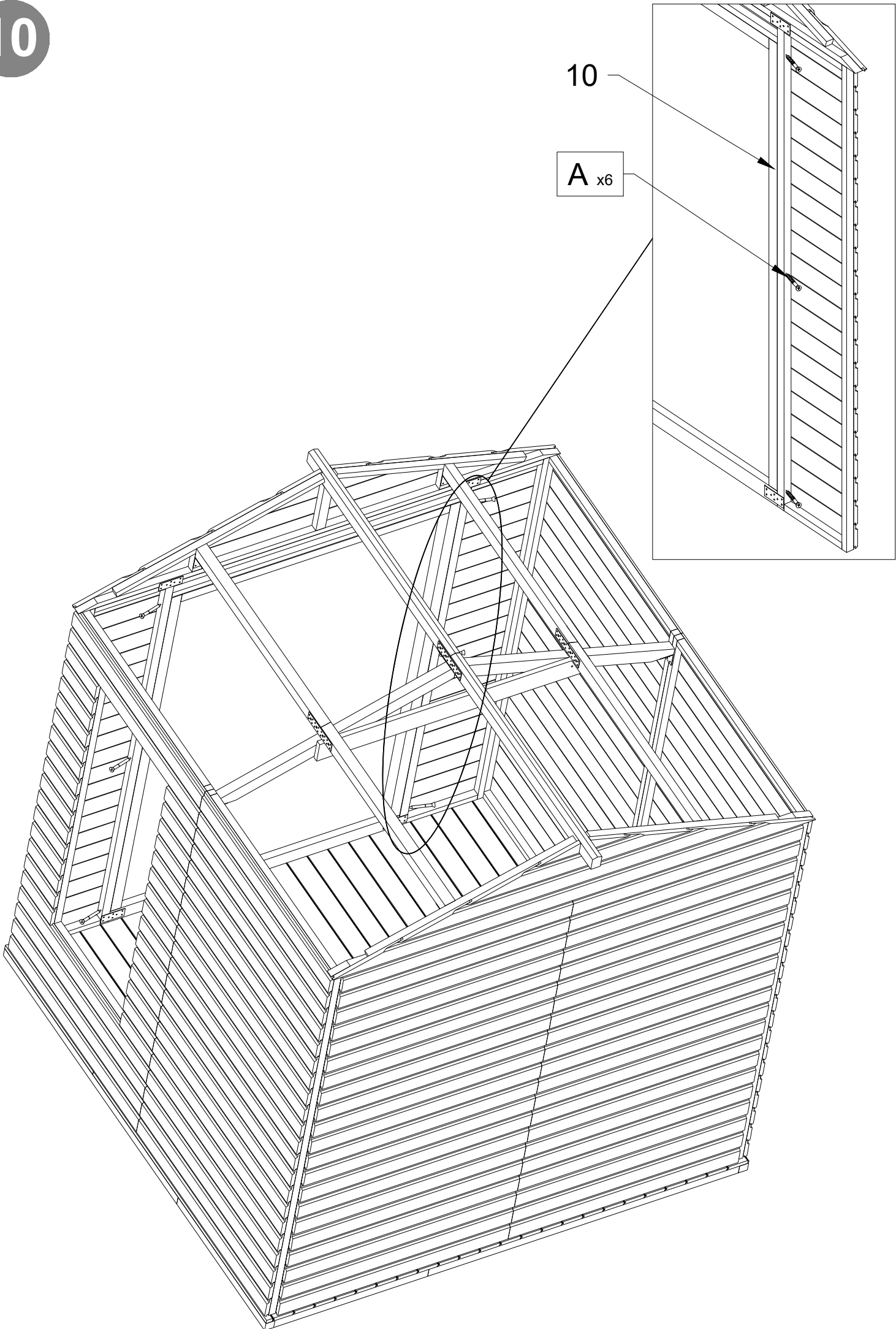


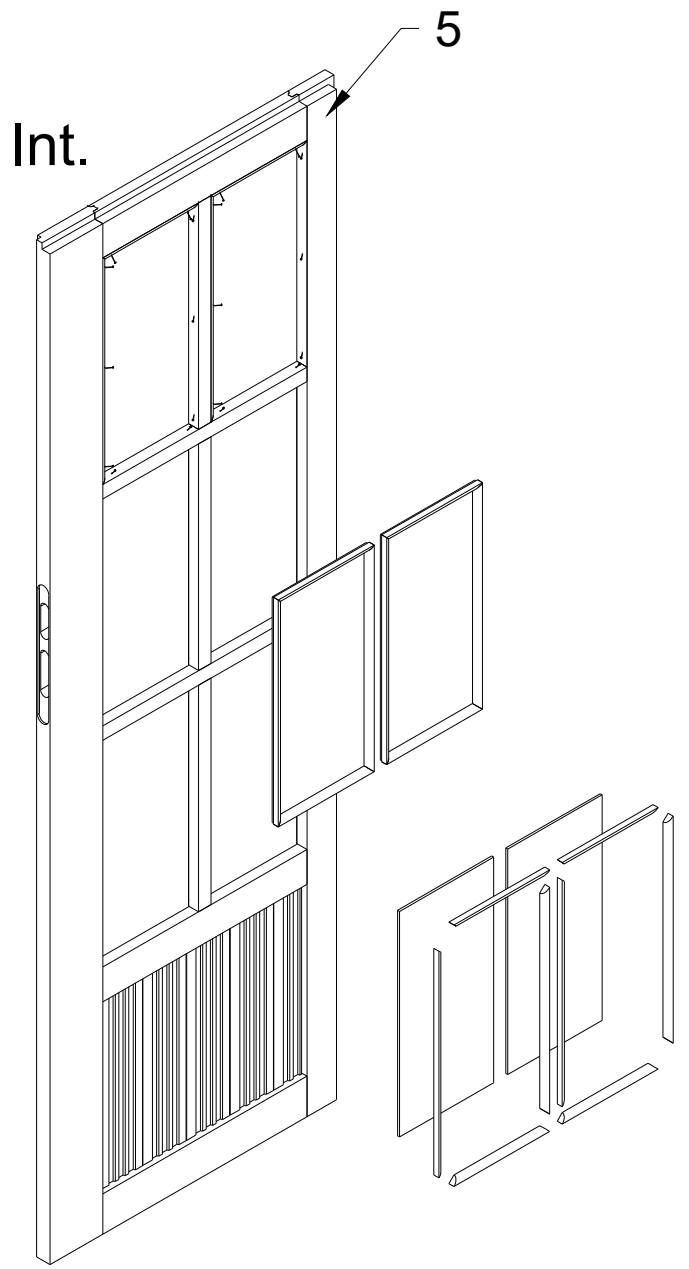
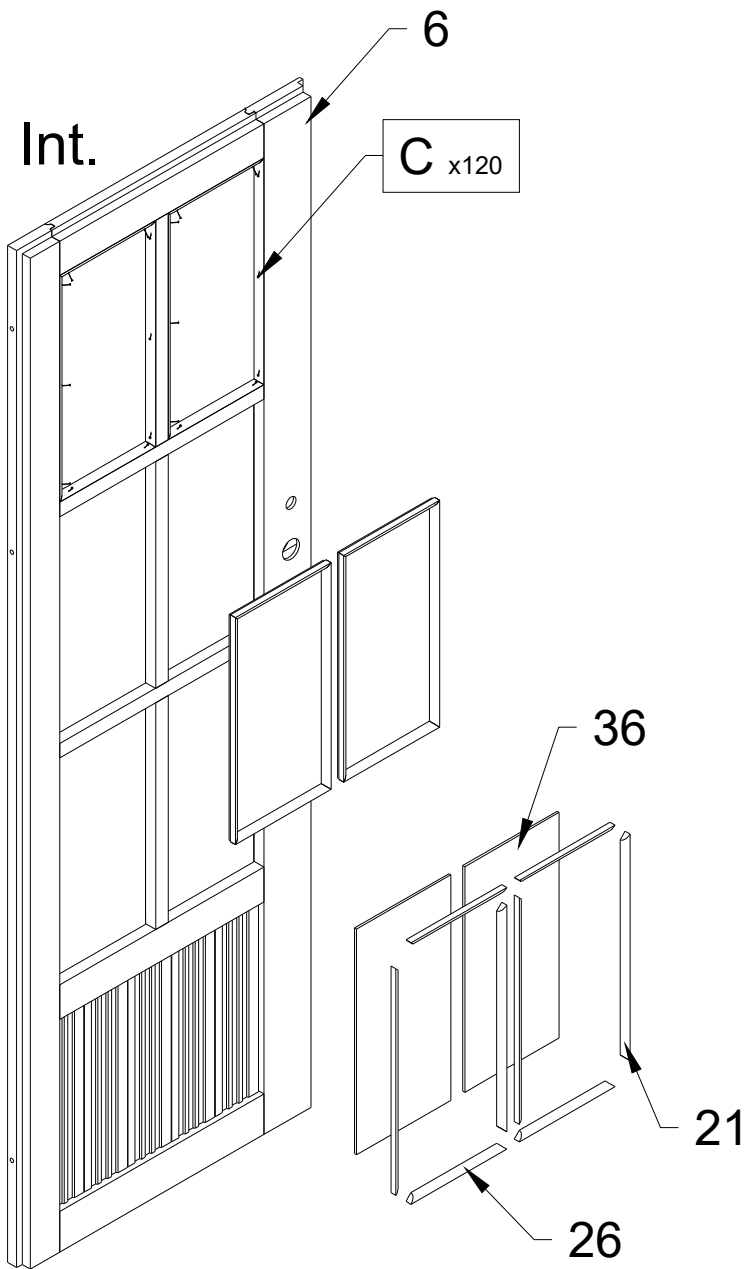
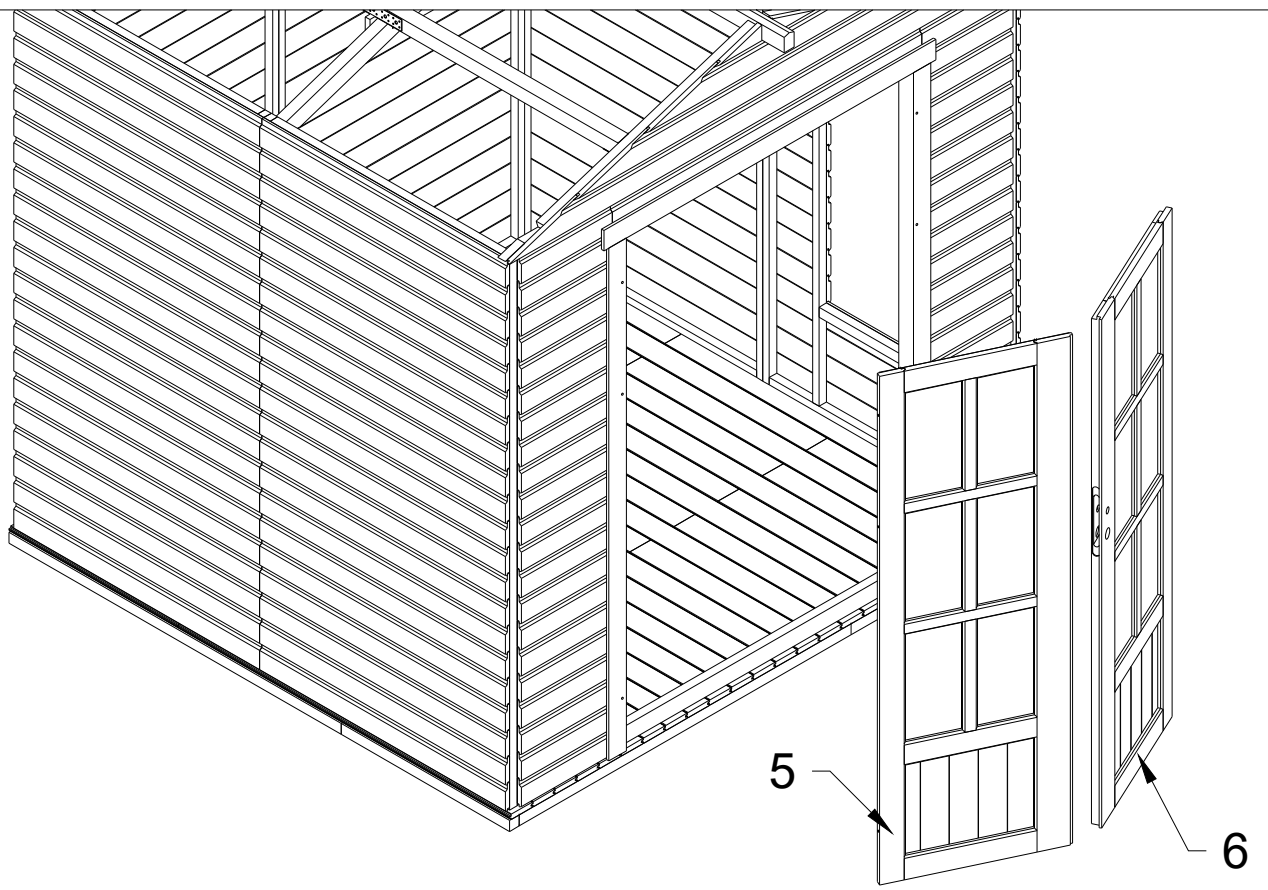
A x4

A x2



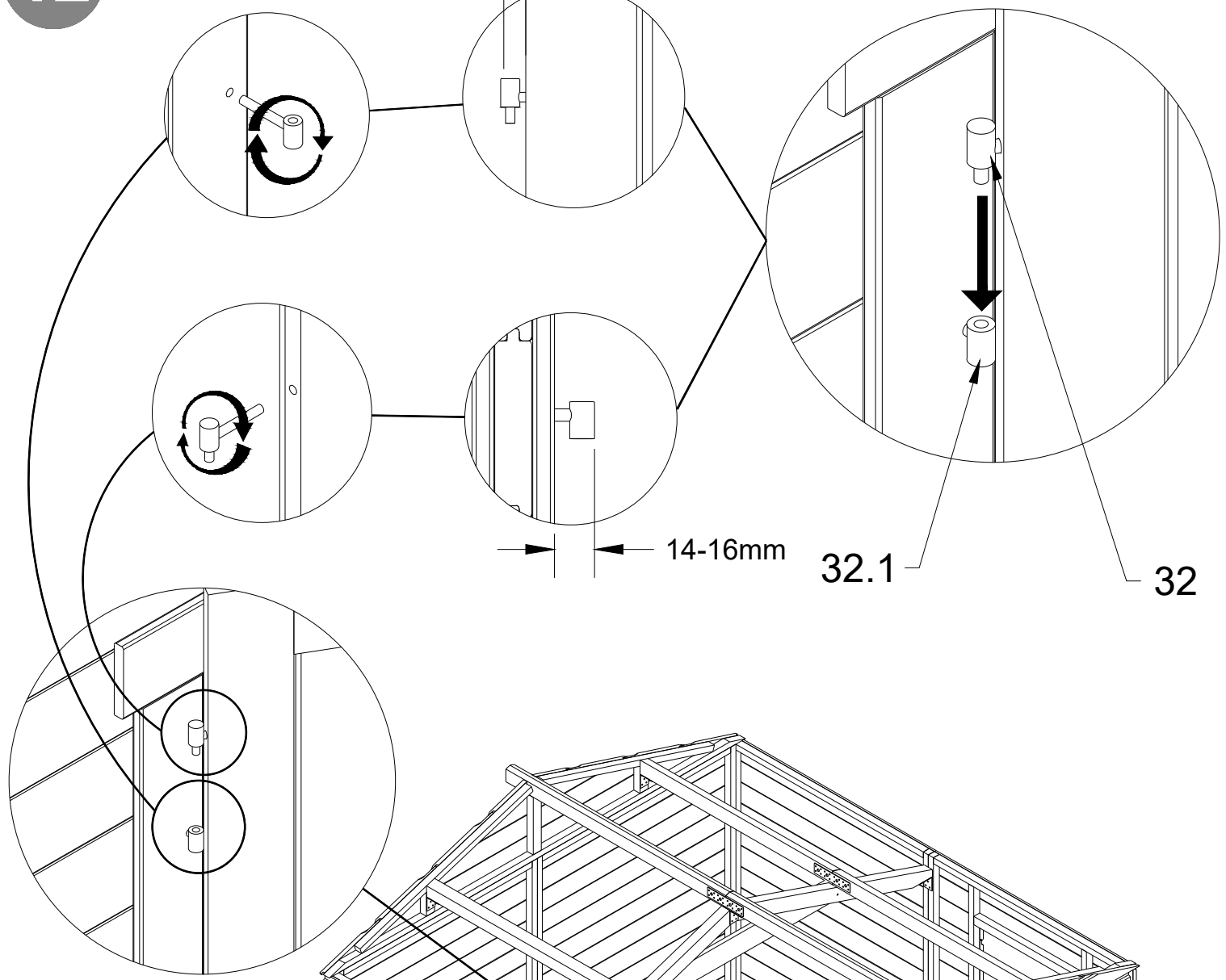
10





12

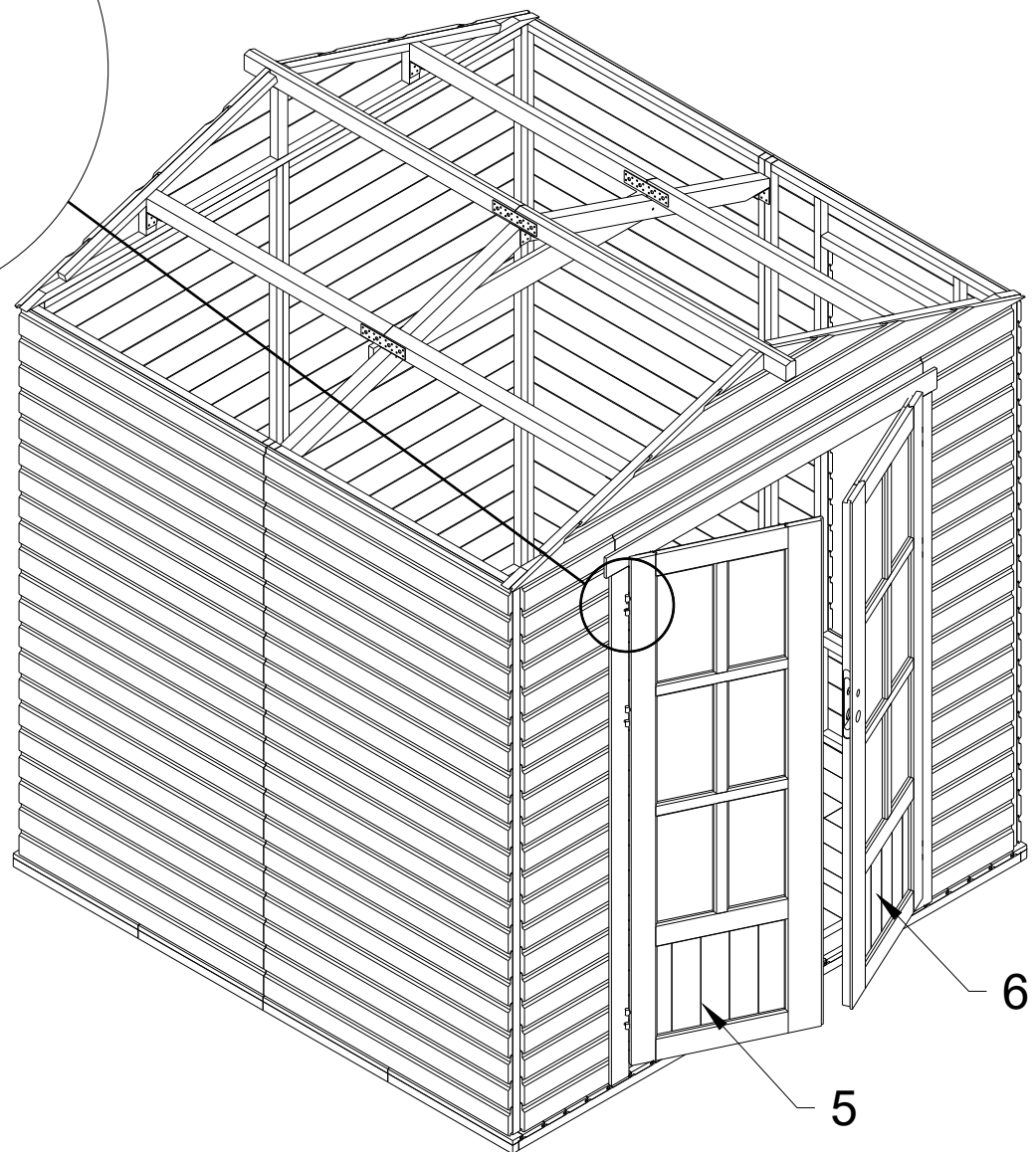
14-16mm



32.1

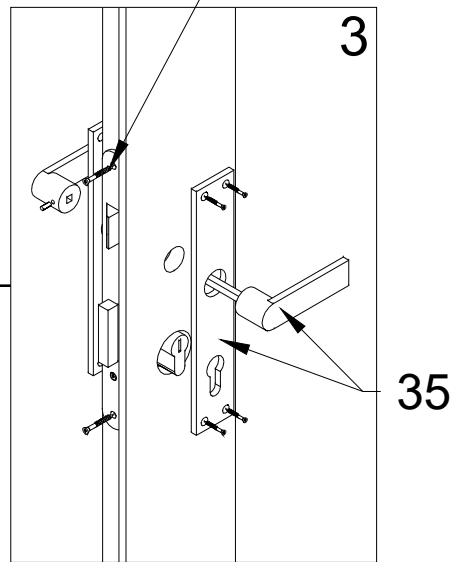
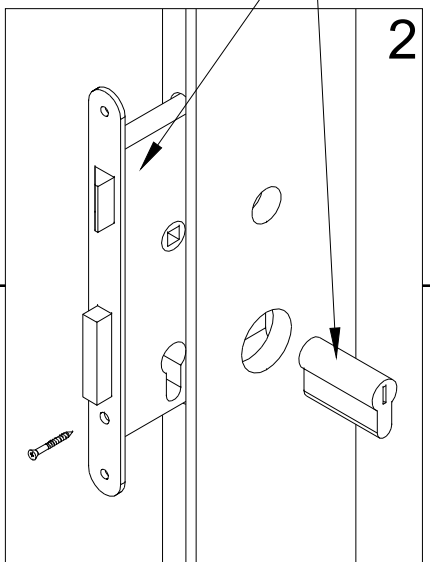
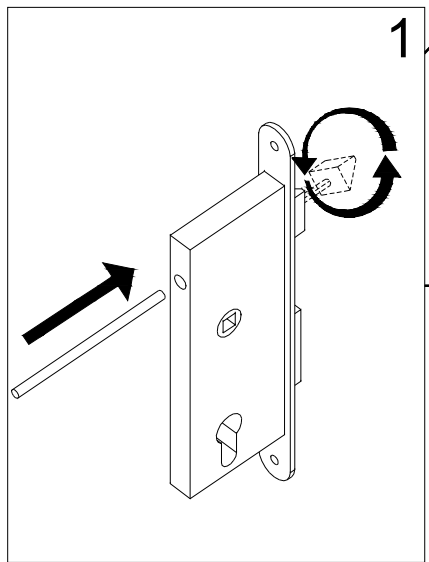
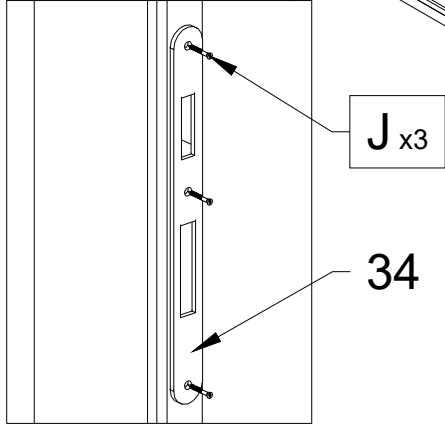
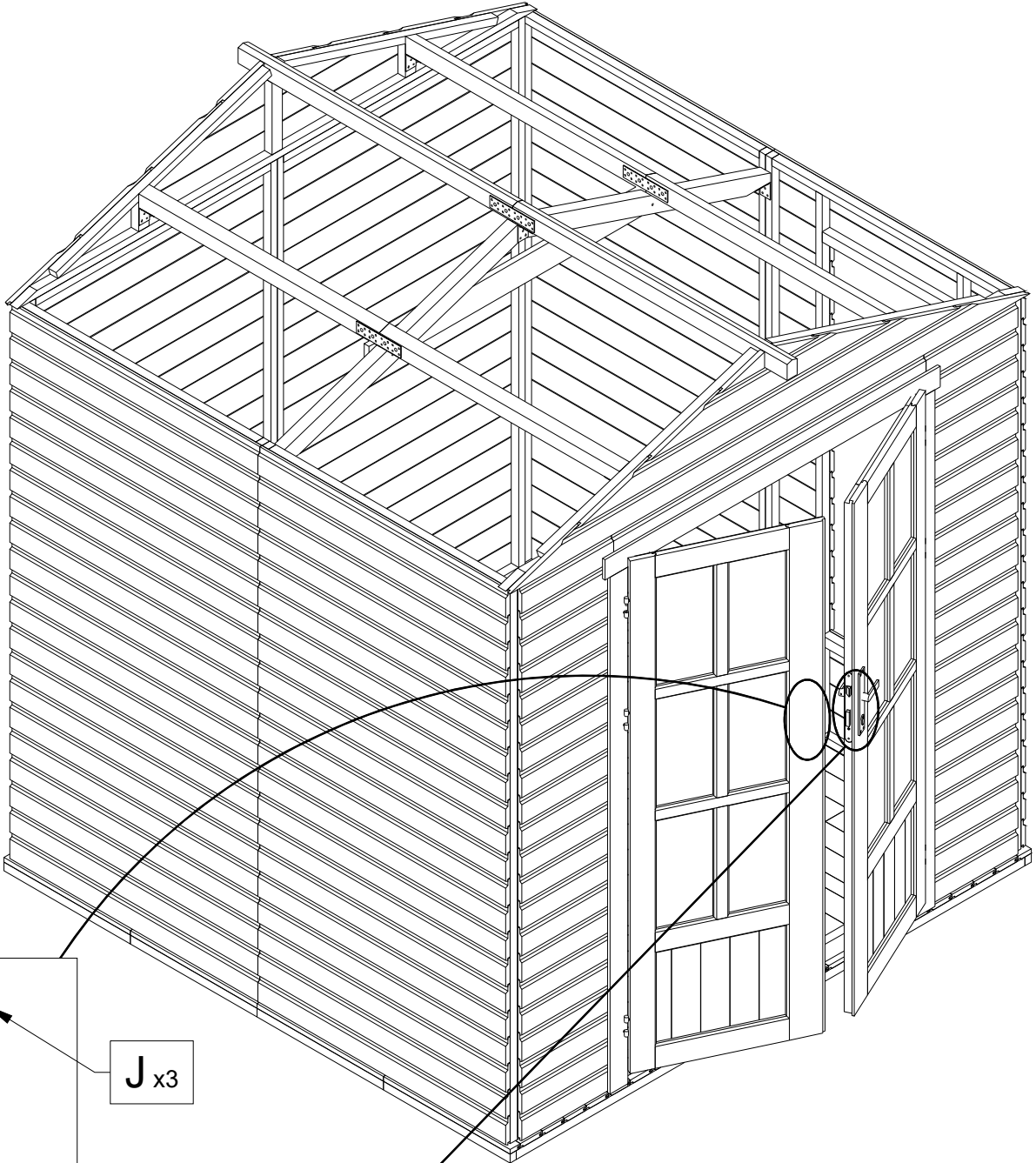
32

14-16mm

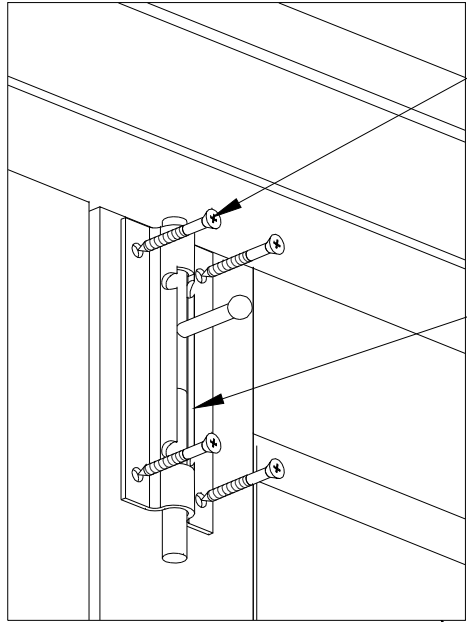


5

6

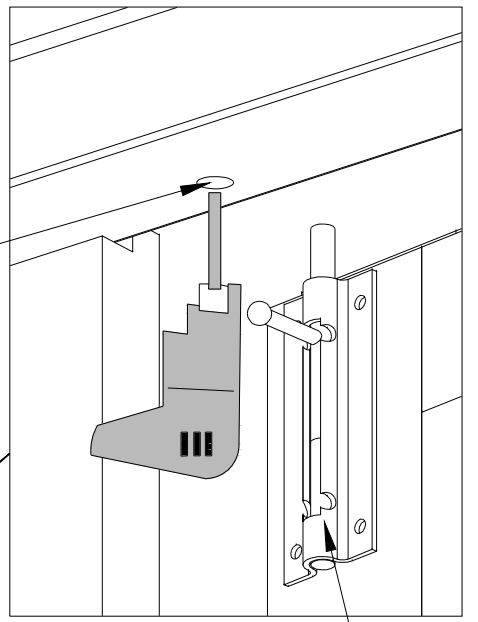


14



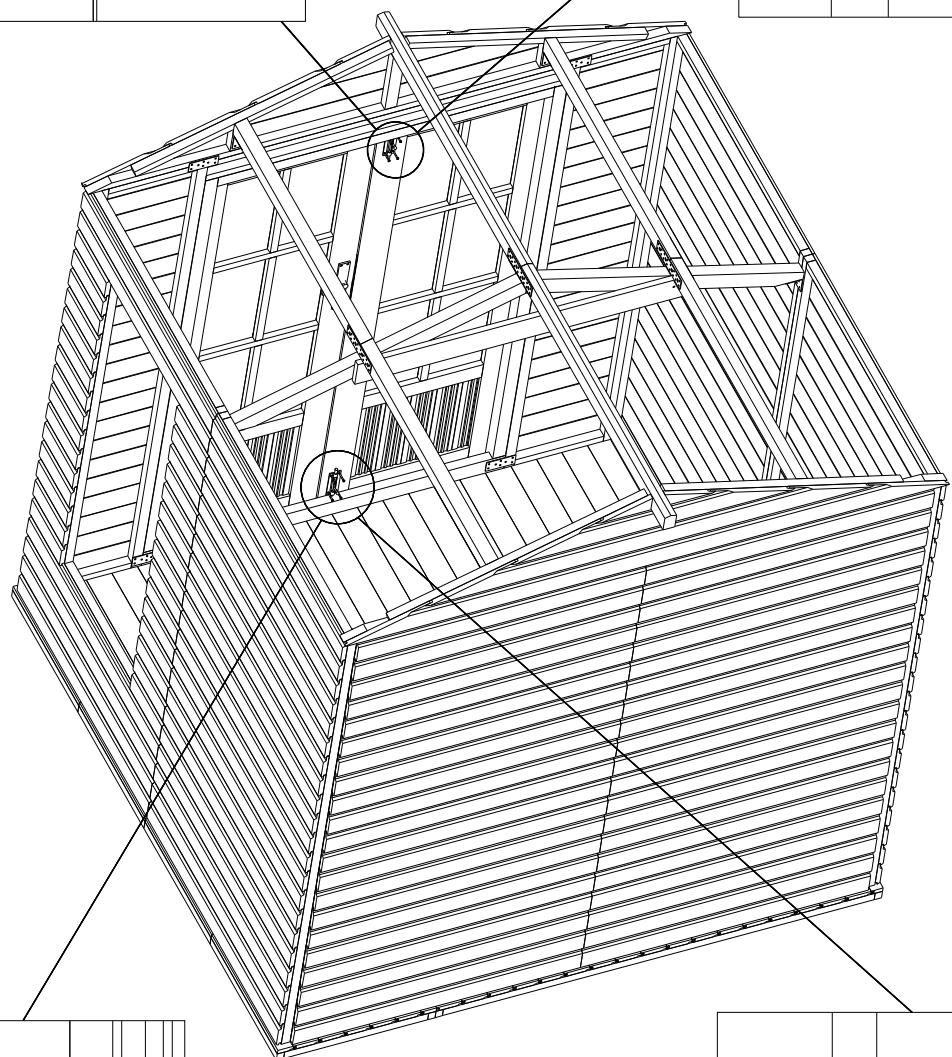
$B_{x4}$

33



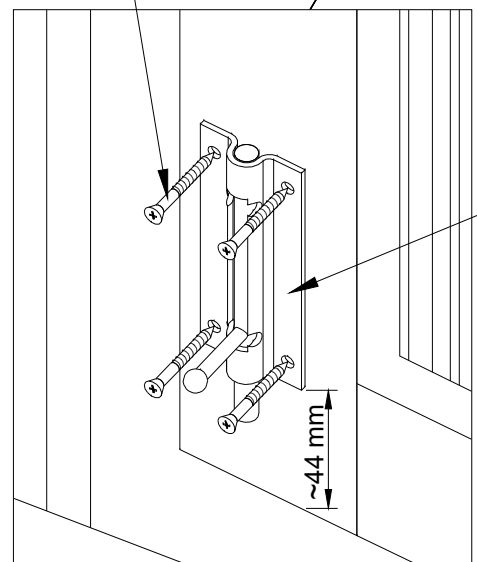
$\text{Ø}12\text{mm}$

33



$B_{x4}$

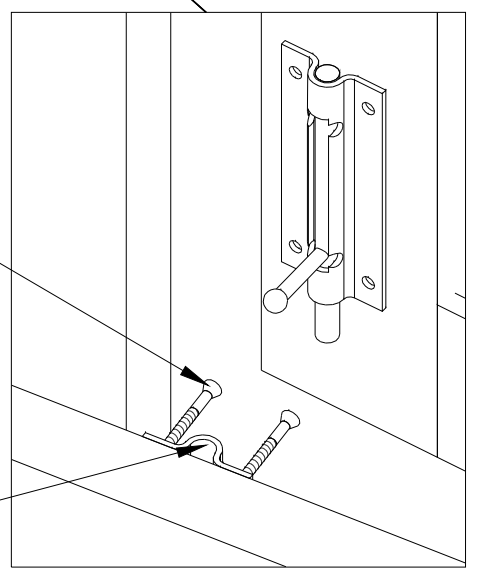
33

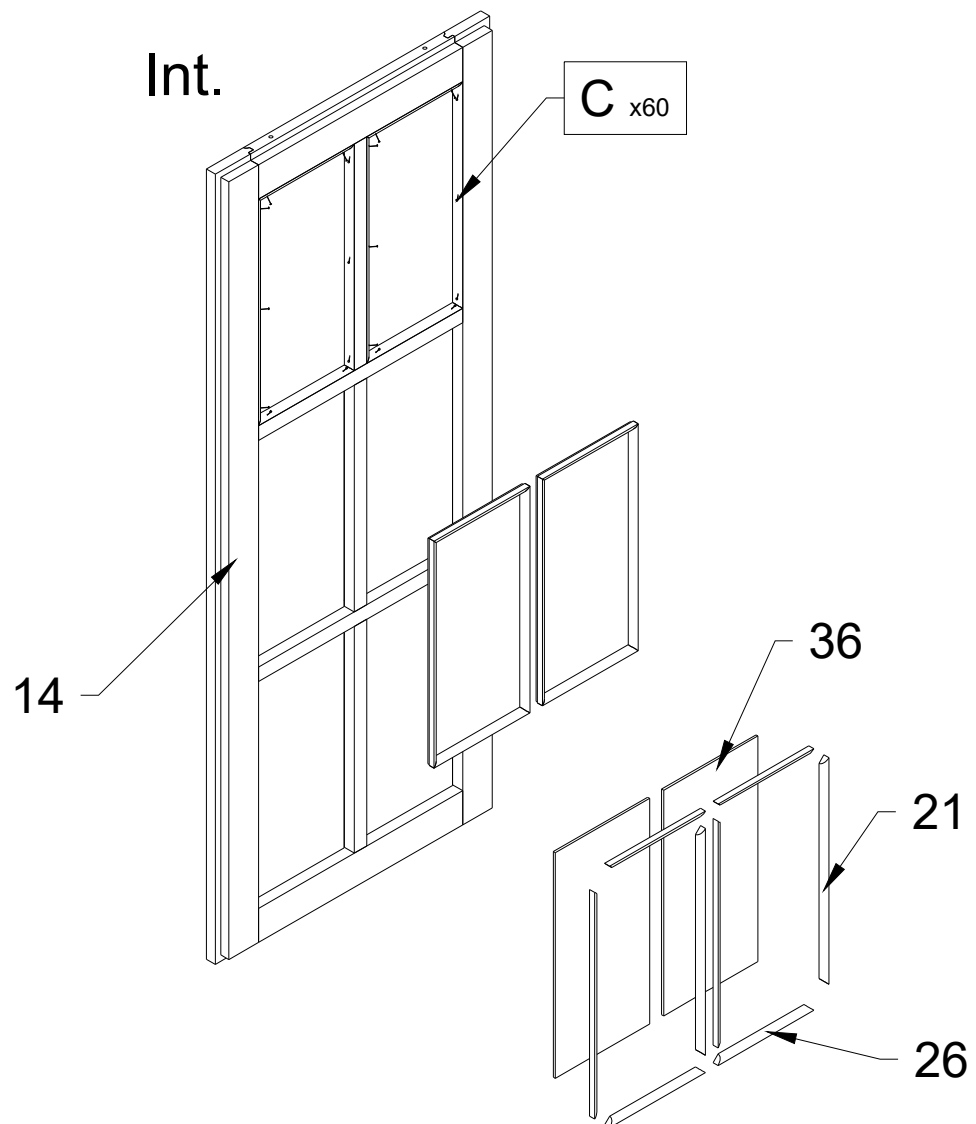
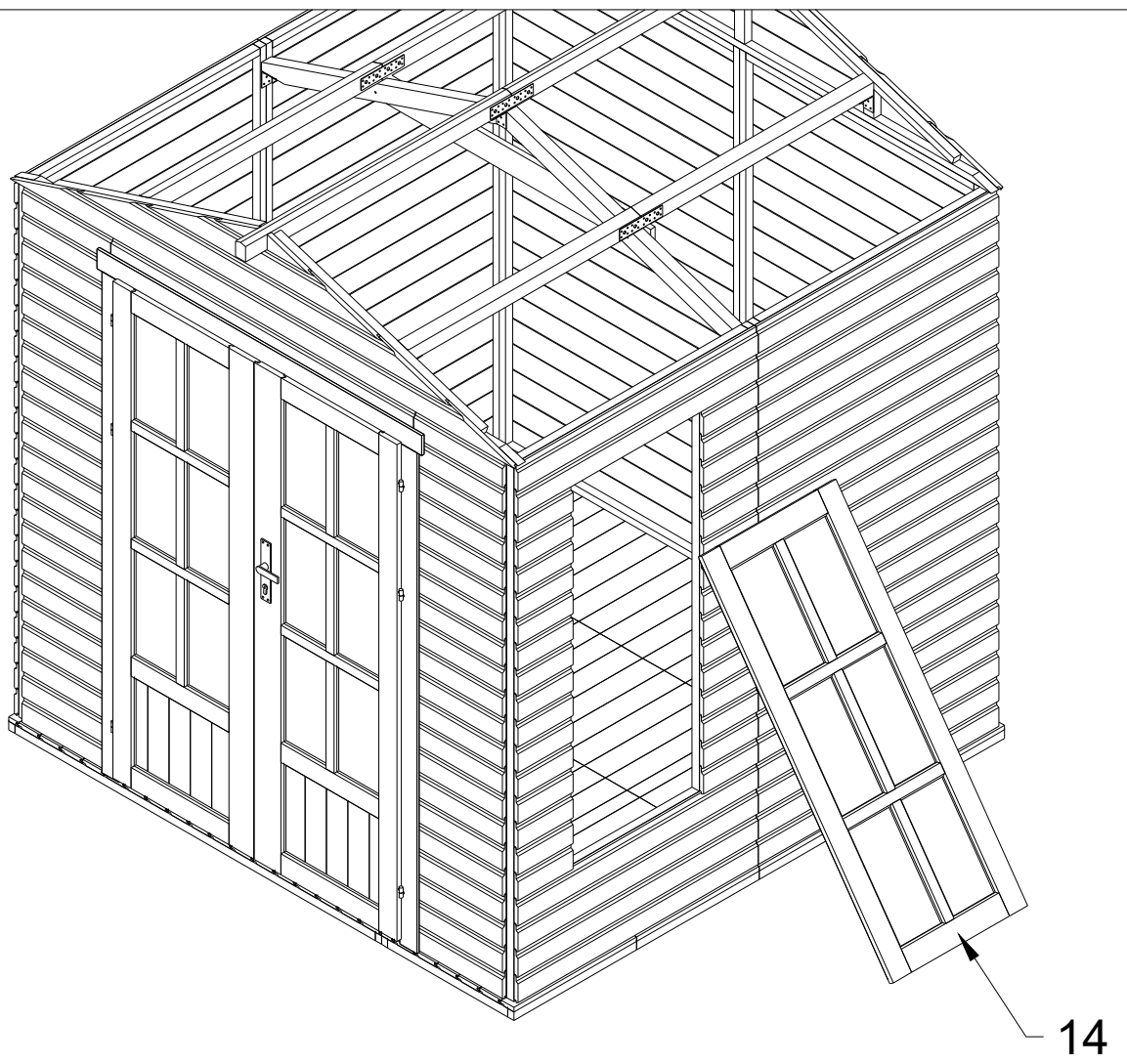


$\sim 44\text{ mm}$

$B_{x2}$

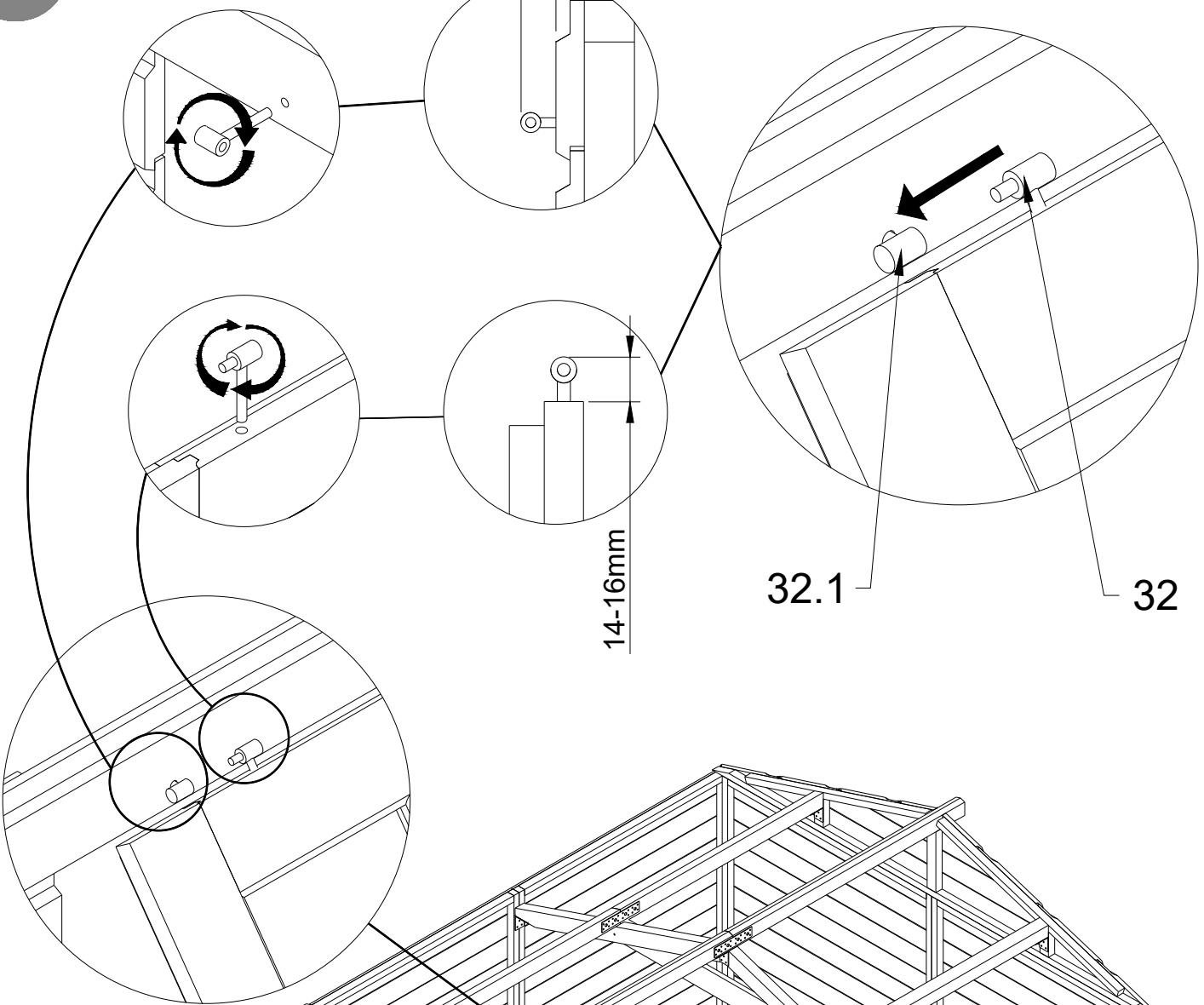
33





16

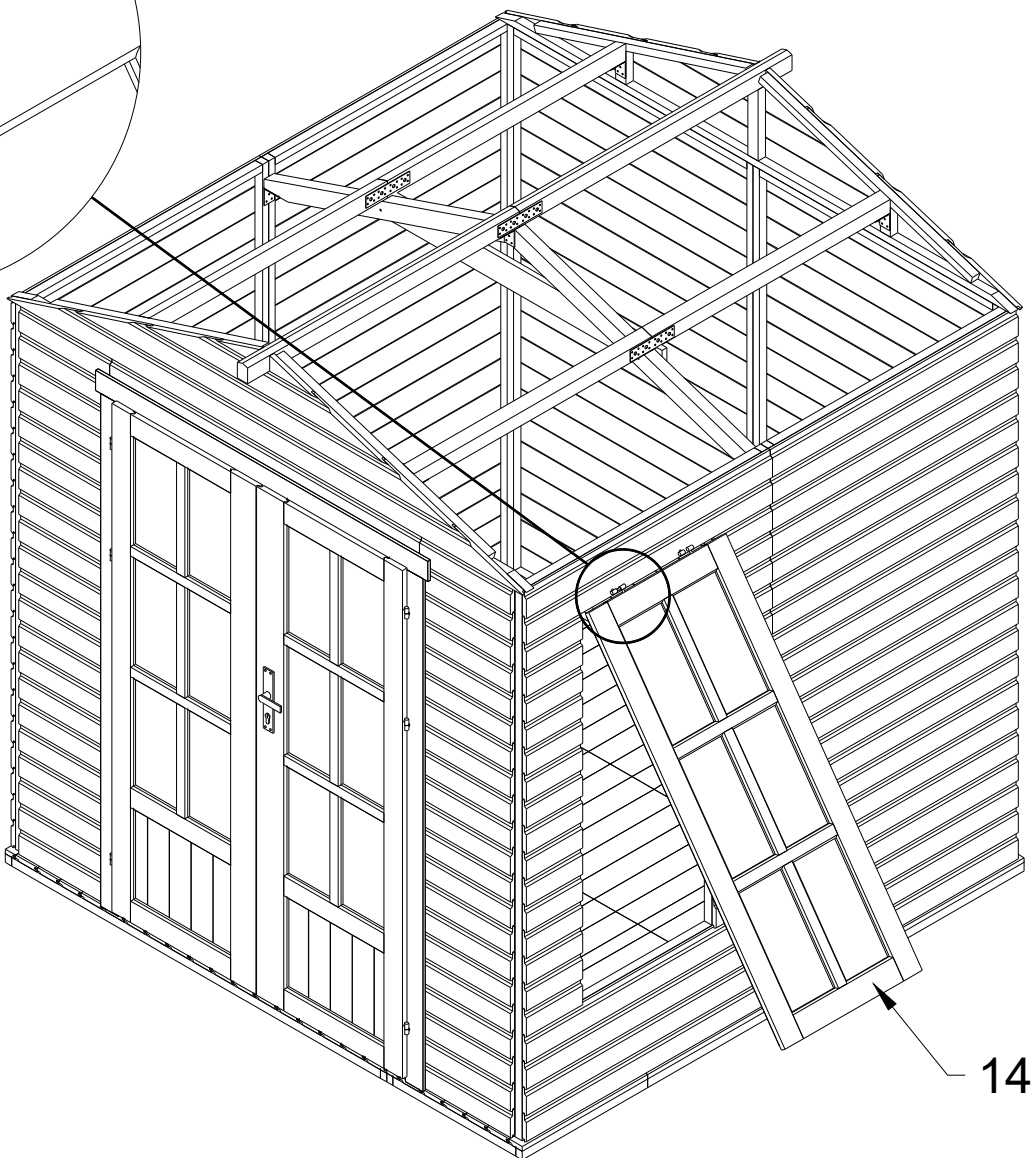
14-16mm



32.1

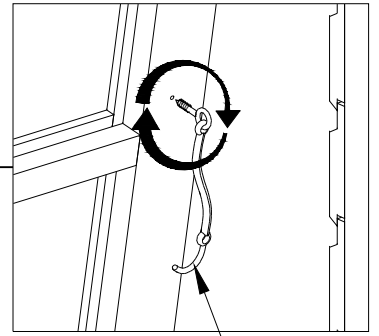
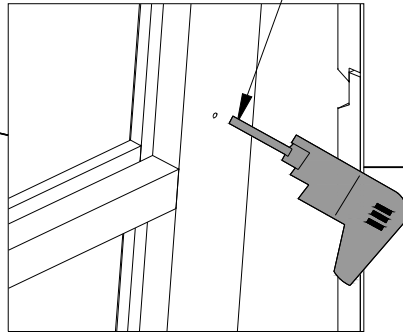
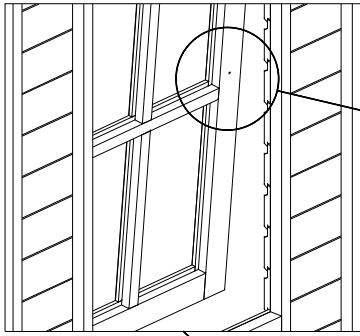
32

14-16mm

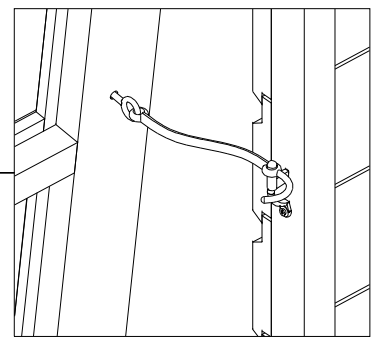
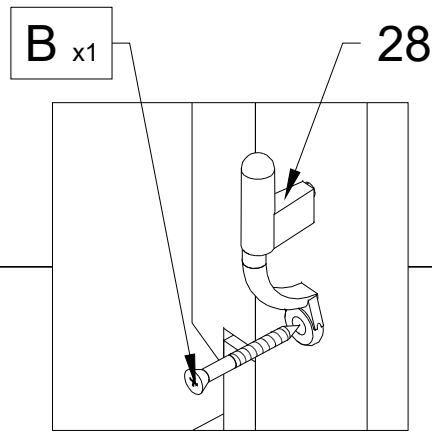
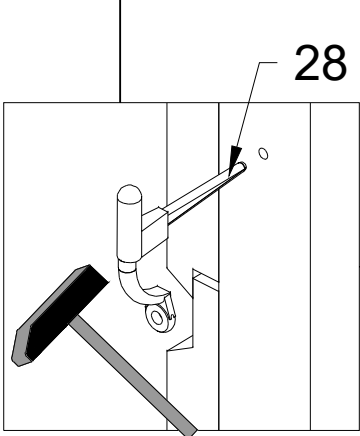
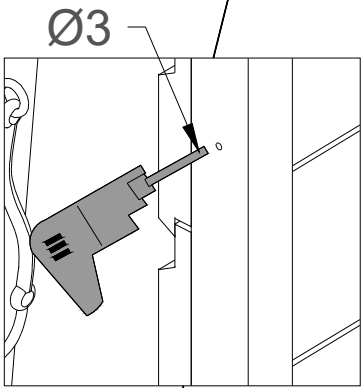
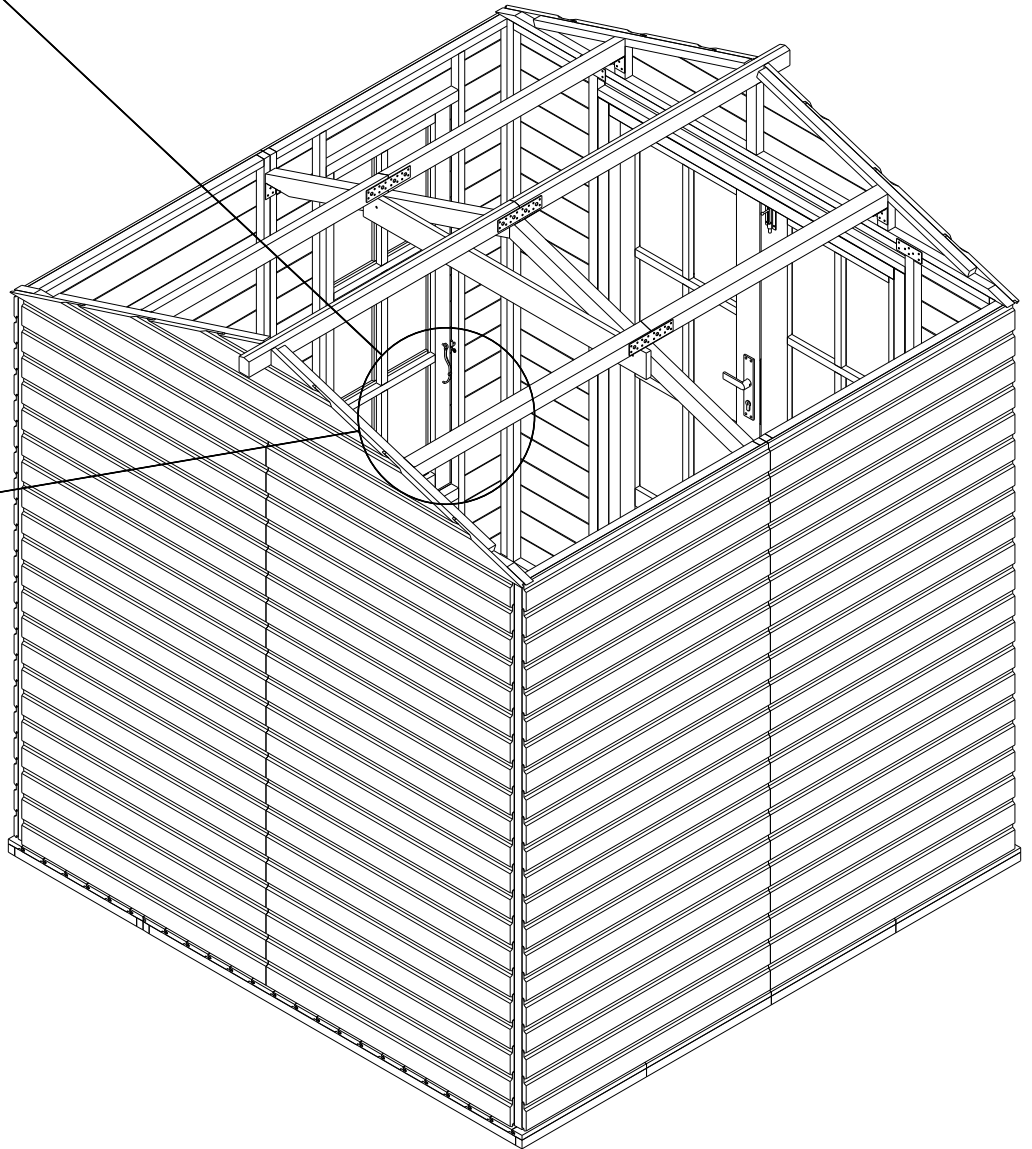
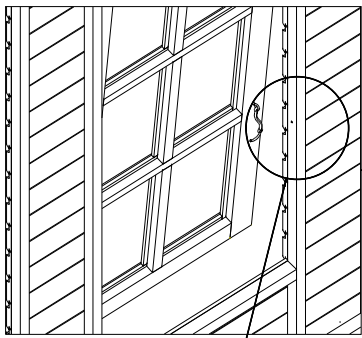


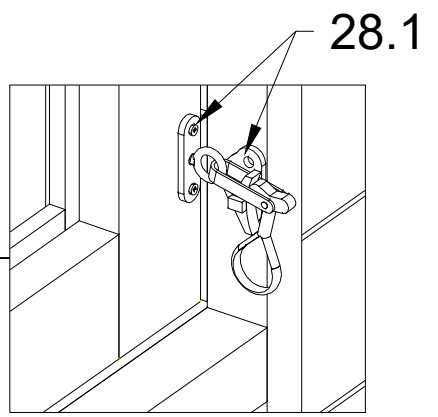
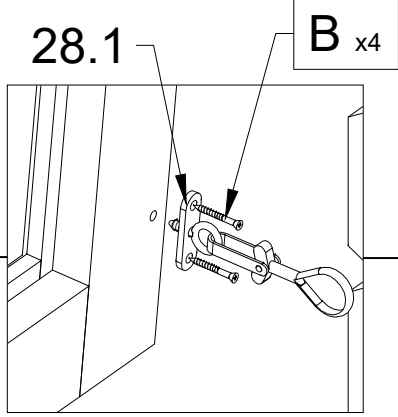
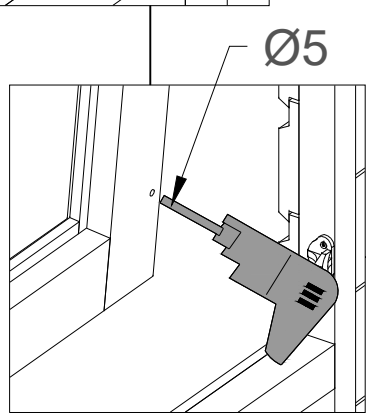
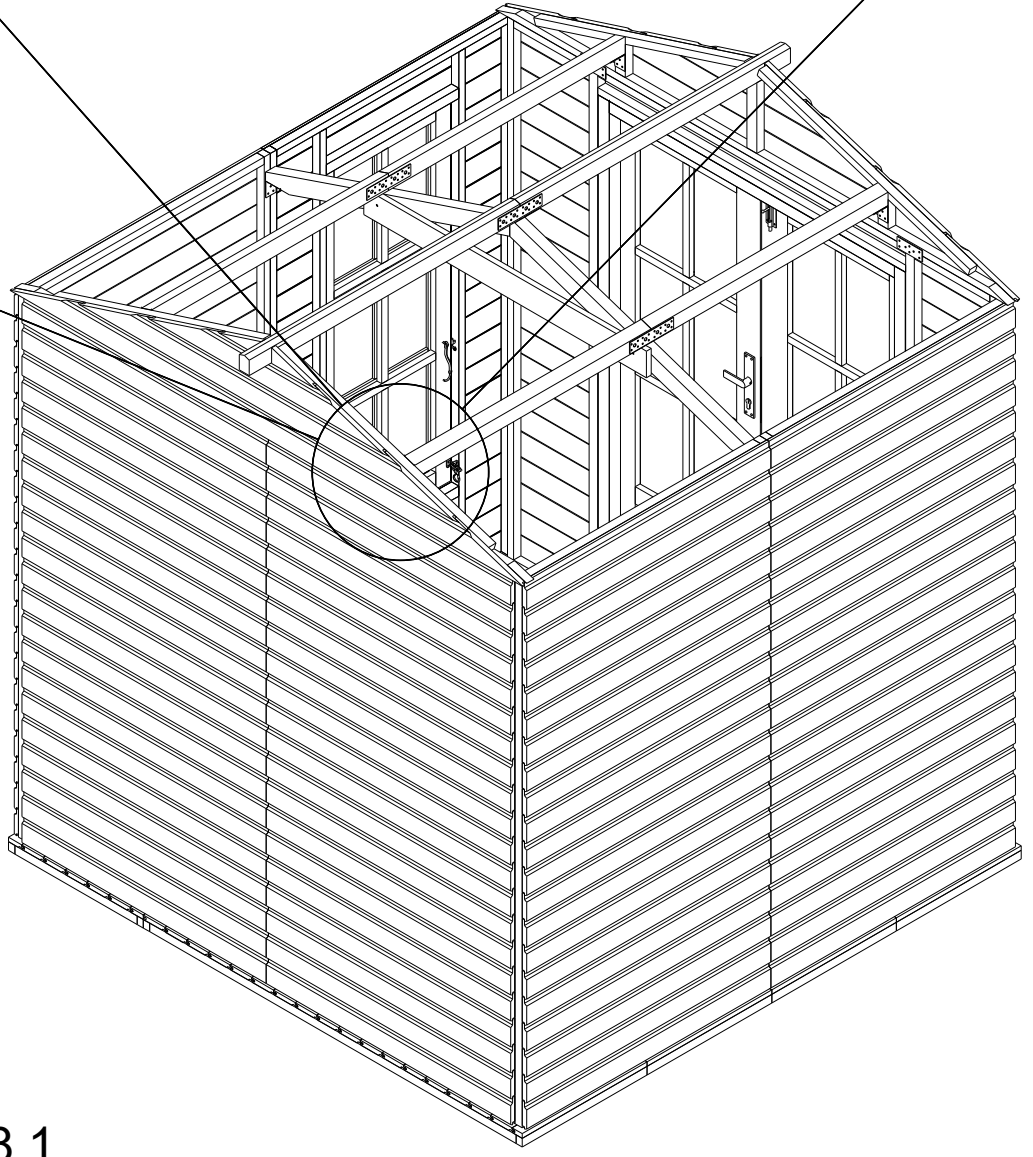
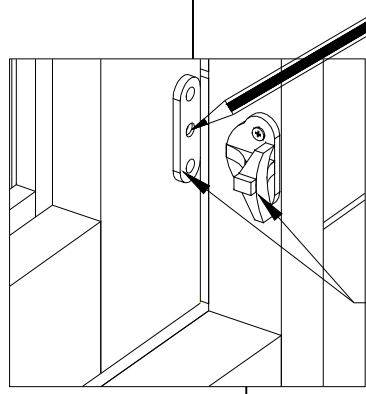
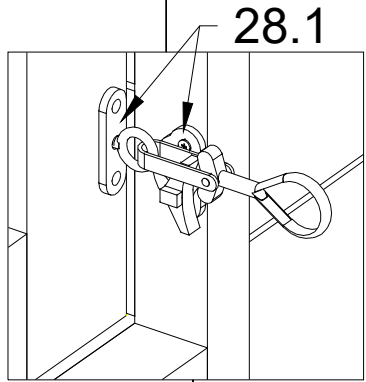
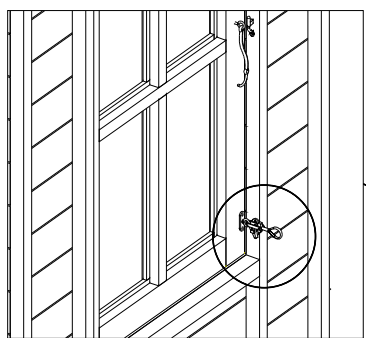
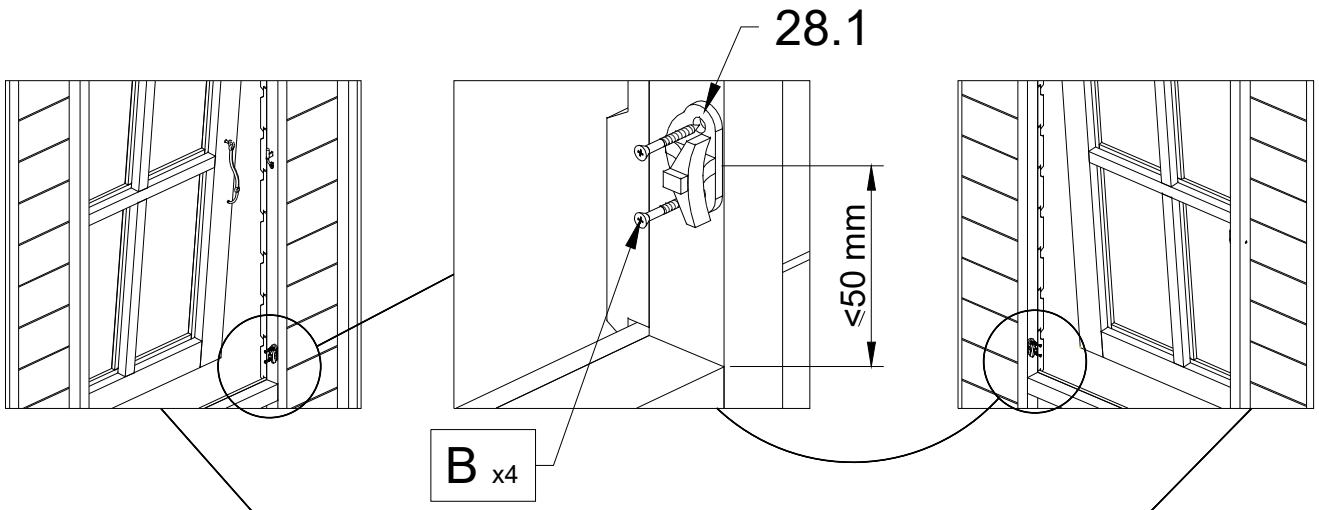
14

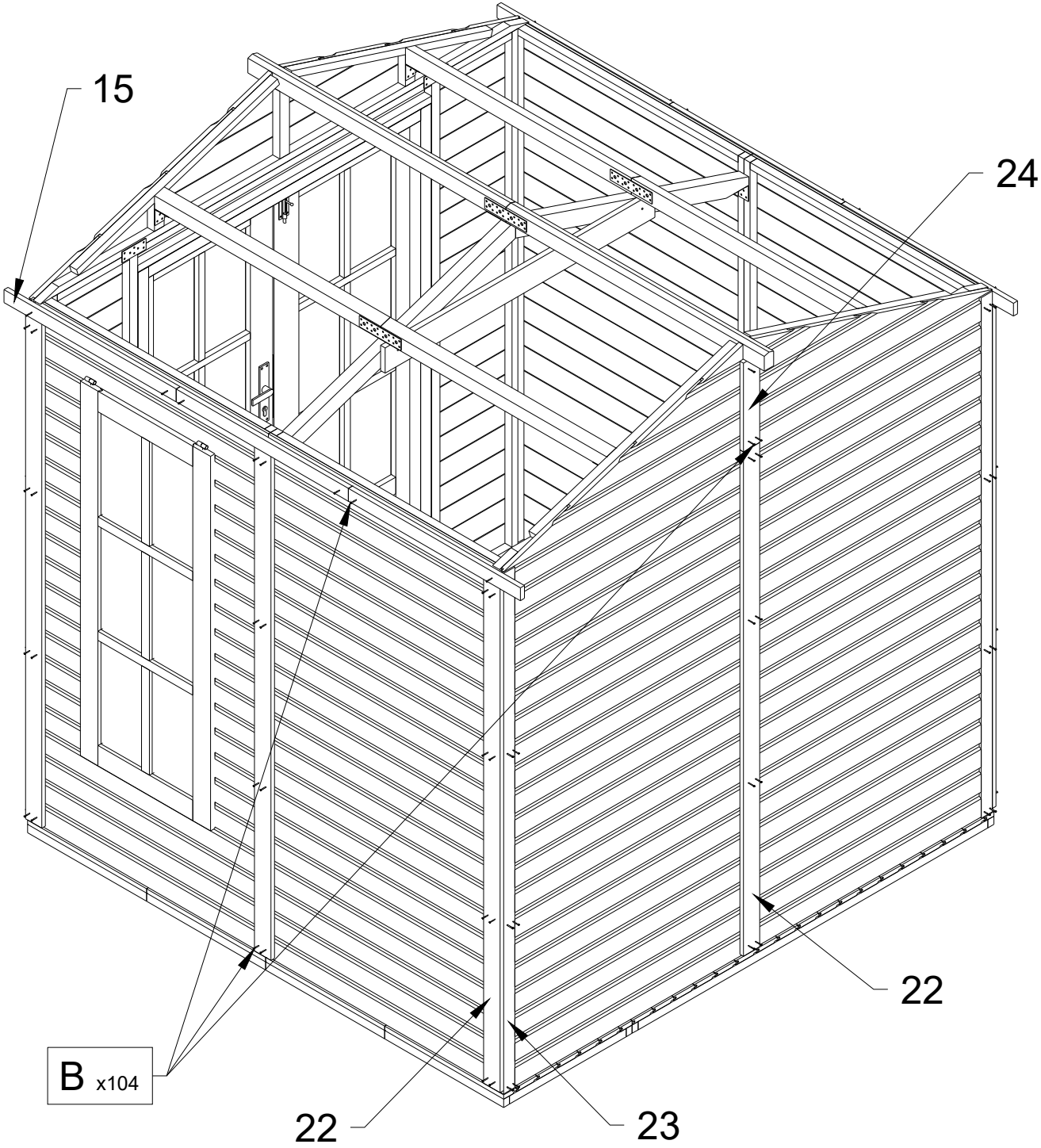
17



28



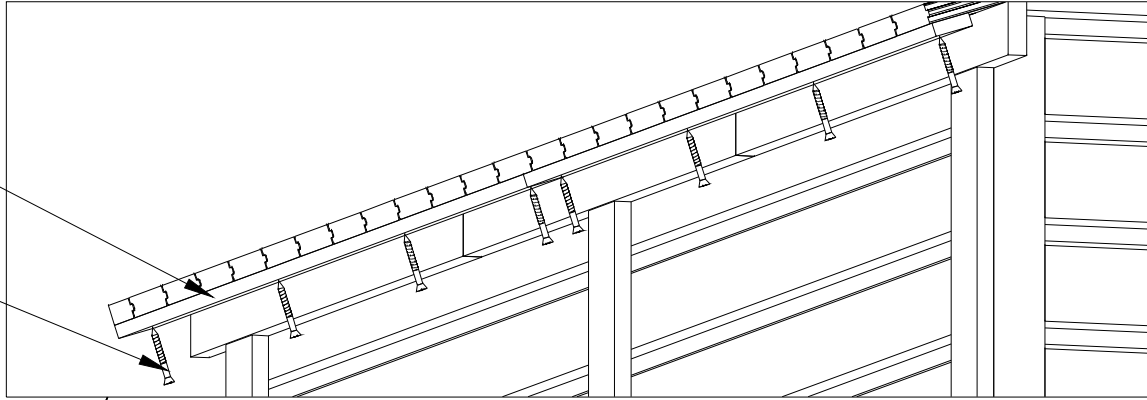




20

18

D<sub>x16</sub>



A<sub>x150</sub>

16

