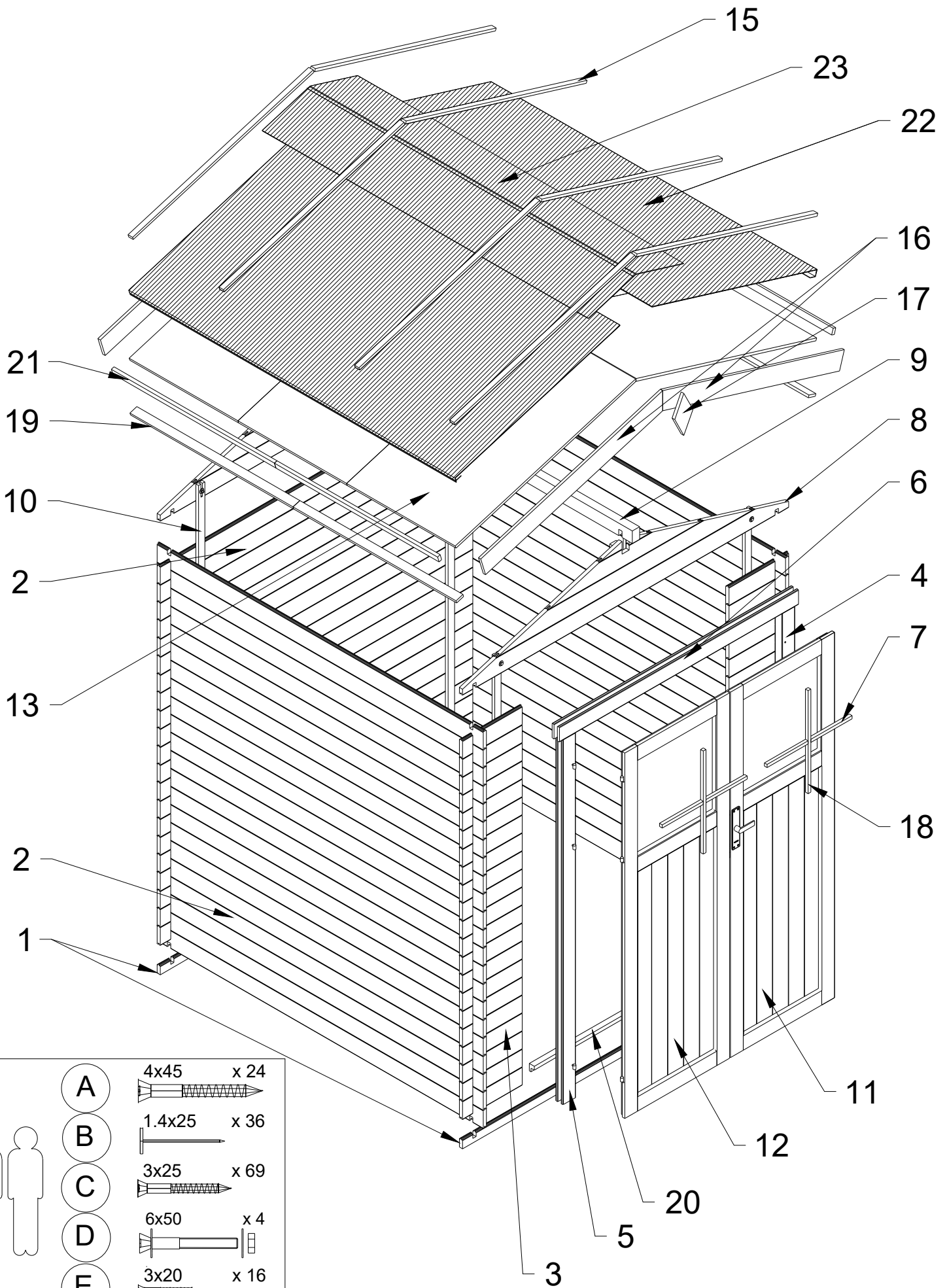


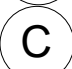
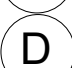

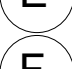
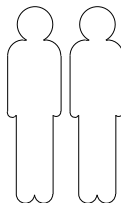


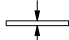
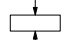
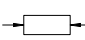


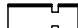

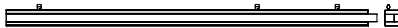

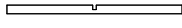

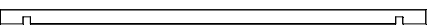
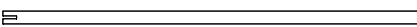



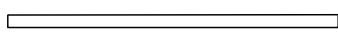
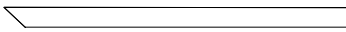

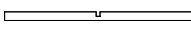
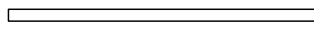
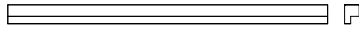
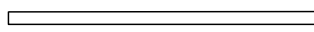






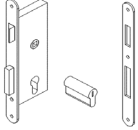
M343F



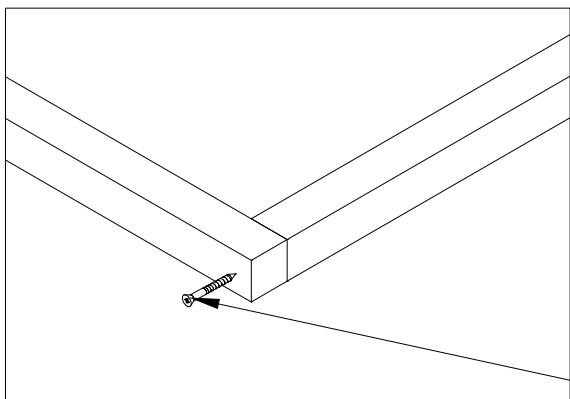
| | | |
|---|--------|------|
|  | 4x45 | x 24 |
|  | 1.4x25 | x 36 |
|  | 3x25 | x 69 |
|  | 6x50 | x 4 |
|  | 3x20 | x 16 |
|  | 4x30 | x 5 |



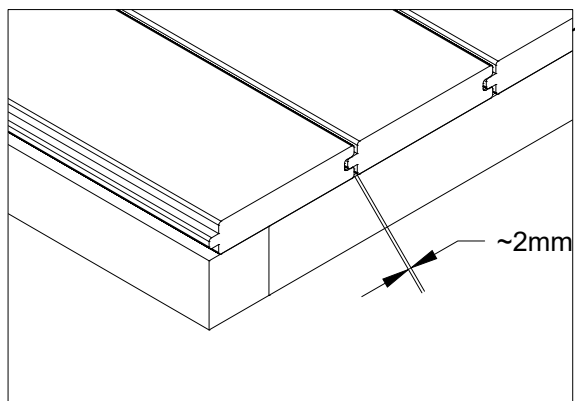
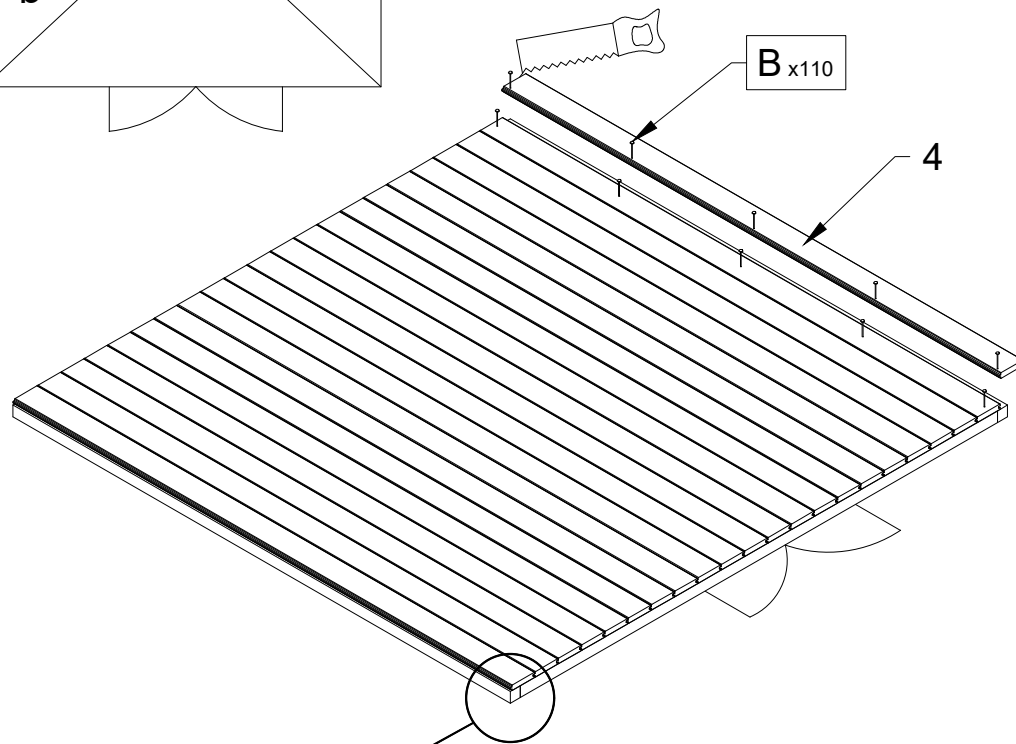
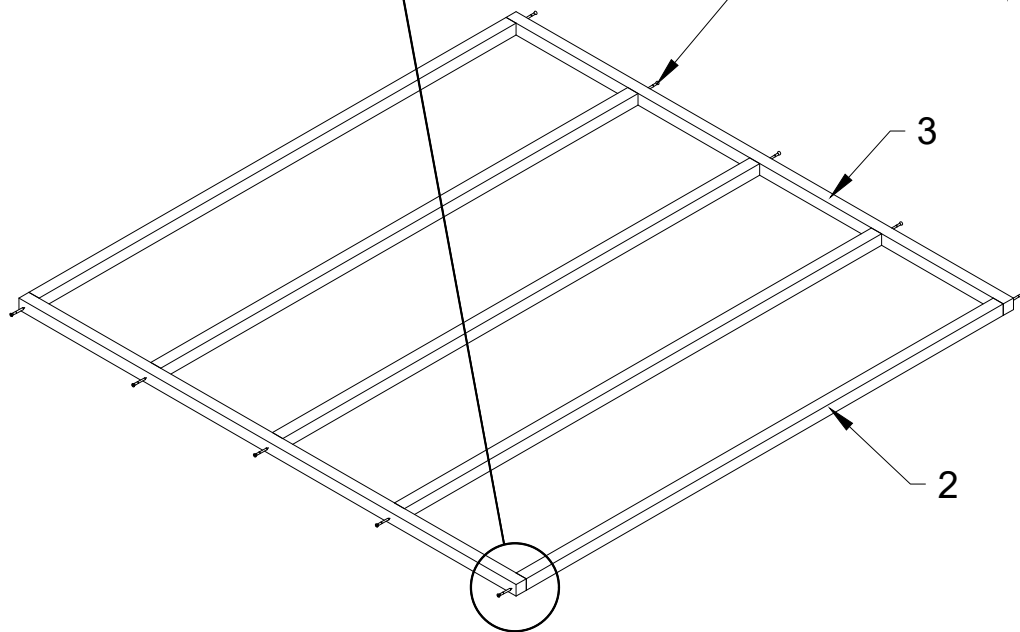
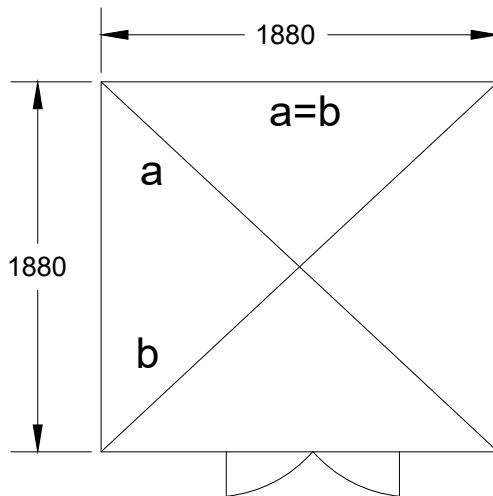
LOT56994

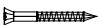


| № | M343F | PCS | mm | | |
|----|---|-----|---|---|---|
| | | |  |  |  |
| 1 |  | 2 | 19 | 52 | 2000 |
| 2 |  | 65 | 19 | 92 | 2000 |
| 3 |  | 42 | 19 | 92 | 384 |
| 4 |  | 1 | 40 | 70 | 1795 |
| 5 |  | 1 | 40 | 70 | 1795 |
| 6 |  | 1 | 40 | 70 | 1320 |
| 7 |  | 2 | 15 | 15 | 480 |
| 8 |  | 2 | | 305 | 2000 |
| 9 |  | 1 | 40 | 60 | 2000 |
| 10 |  | 4 | 15 | 35 | 1800 |
| 11 |  | 1 | | 582 | 1754 |
| 12 |  | 1 | | 582 | 1754 |
| 13 |  | 6 | OSB | 666 | 1100 |
| 15 |  | 8 | 15 | 35 | 1080 |
| 16 |  | 4 | 13 | 92 | 1120 |
| 17 |  | 2 | 15 | 75 | 145 |
| 18 |  | 2 | 15 | 15 | 500 |
| 19 |  | 4 | OSB | 35 | 1000 |
| 20 |  | 1 | 27 | 35 | 1140 |
| 21 |  | 4 | 15 | 35 | 1000 |
| 22 |  | 2 | | 1000 | 2000 |
| 23 |  | 1 | | 500 | 2000 |
| 24 |  | 1 | | | |
| 25 |  | 2 | | | |
| 26 |  | 6 | | | |
| 27 |  | 6 | | | |
| 28 |  | 1 | | | |

1



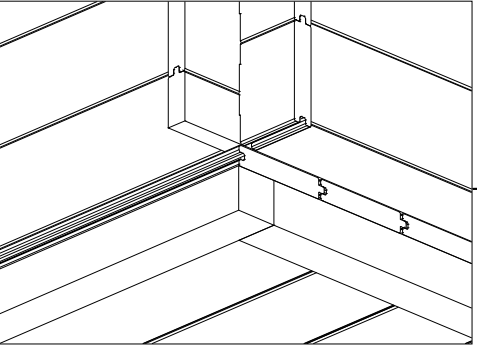
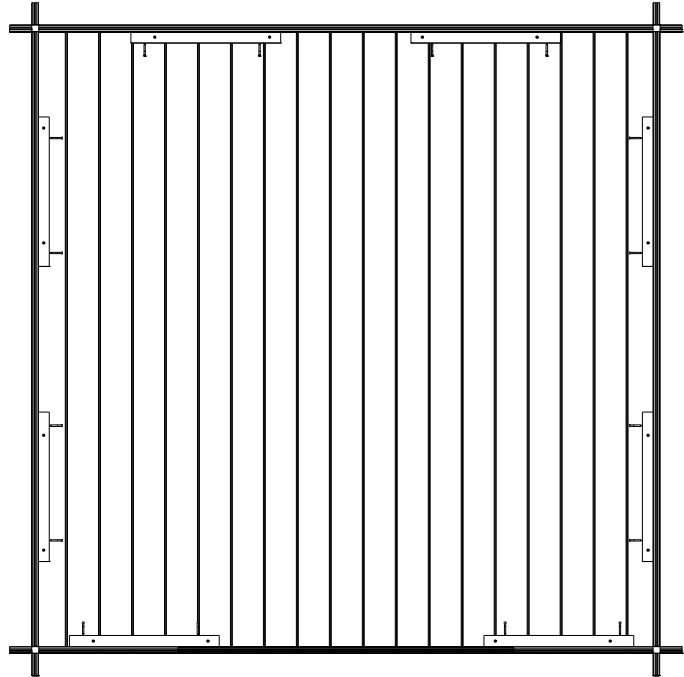
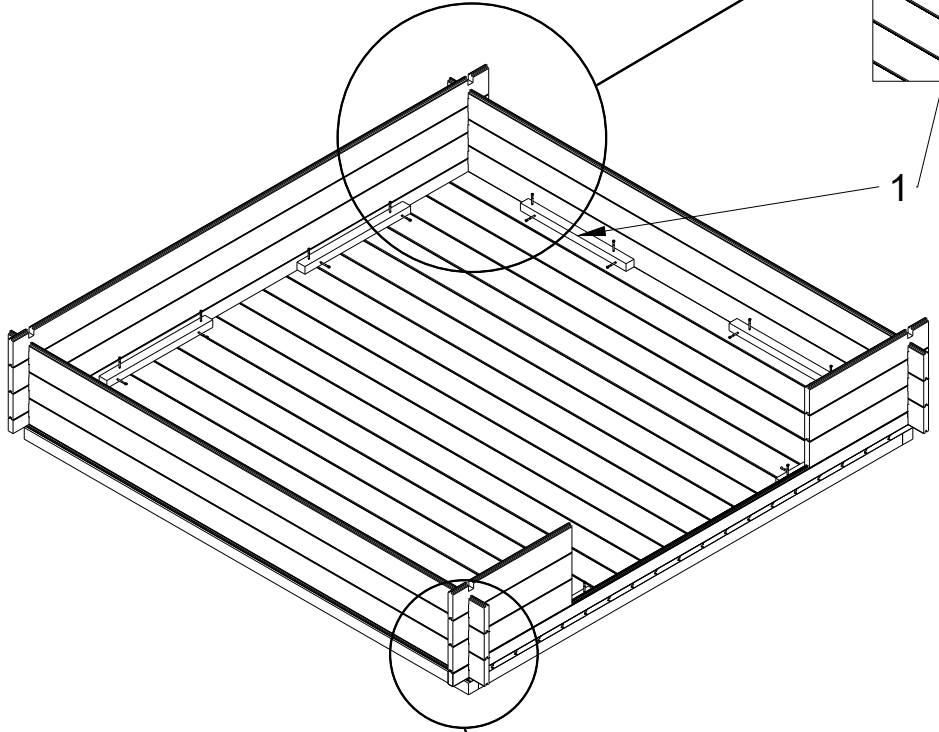
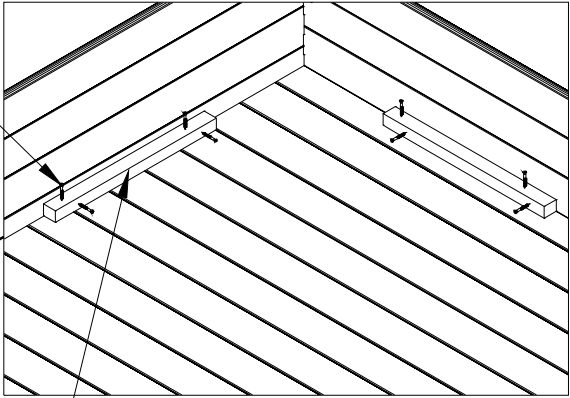
A x10



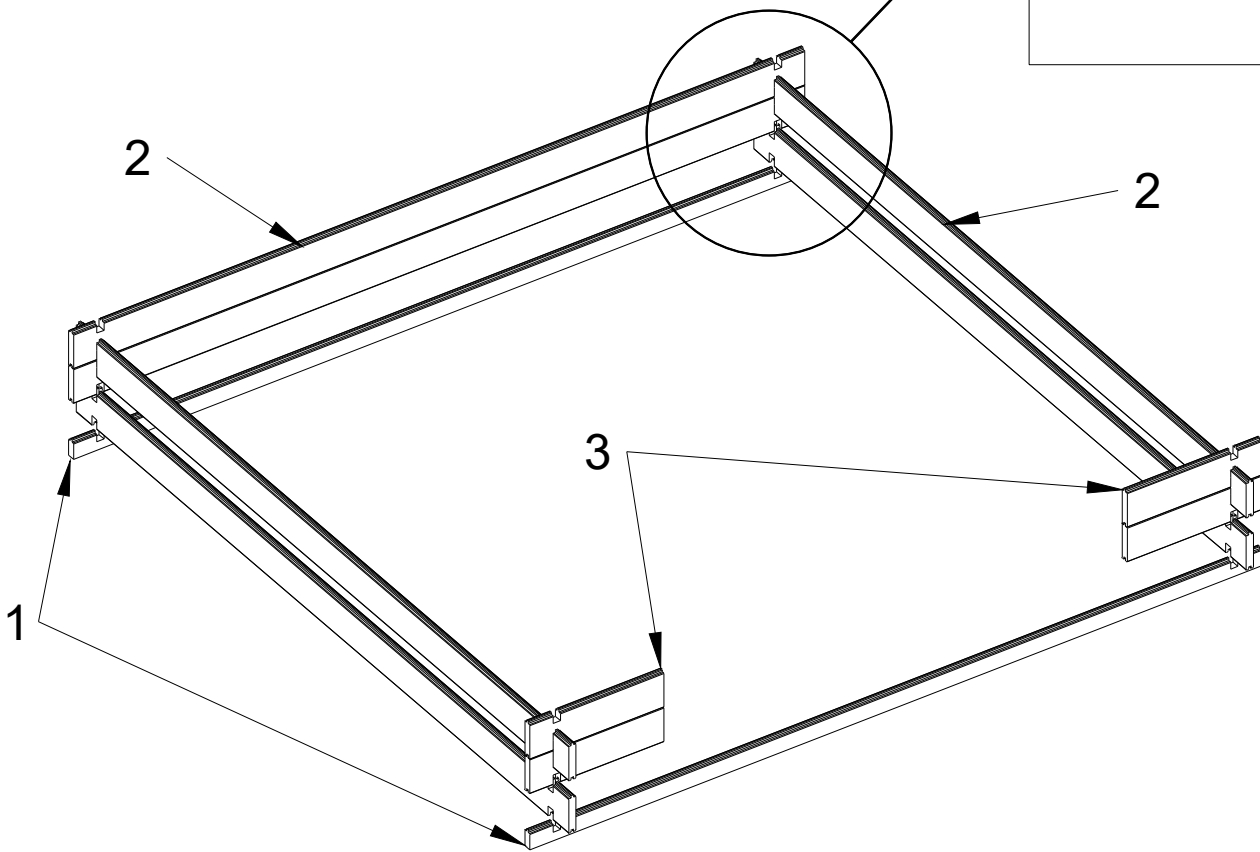
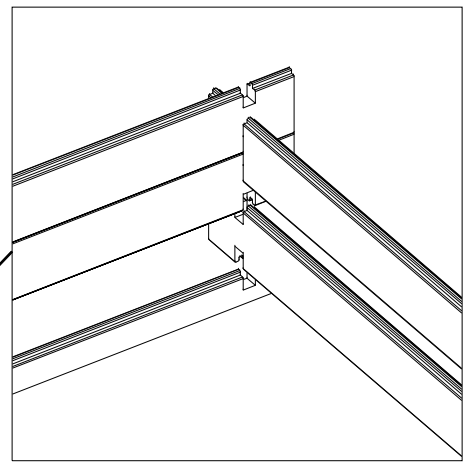
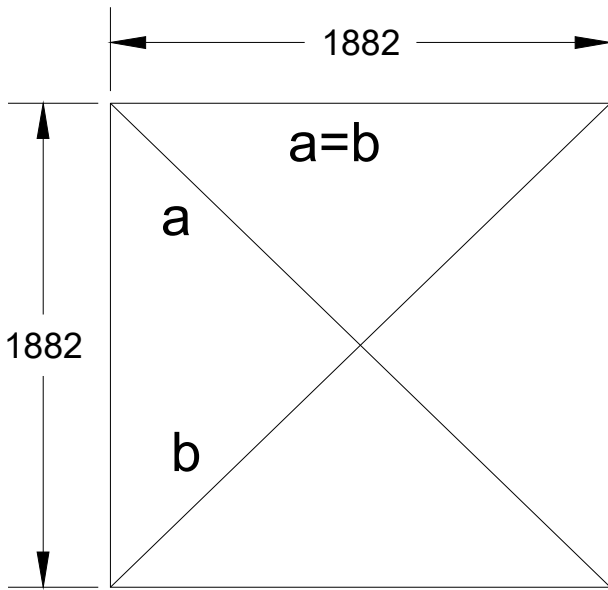
| № | | PCS | | DIMENSIONS | | |
|---|-----|---|-------|------------|--|--|
| 1 | 8 | 25 | 30 | 200 | | |
| 2 | 5 | 38 | 38 | 1804 | | |
| 3 | 2 | 38 | 38 | 1880 | | |
| 4 | 22 | 19 | 92 | 1880 | | |
| A | 10 |  | M4x70 | | | |
| B | 110 |  | | | | |
| C | 32 |  | M4x45 | | | |

2

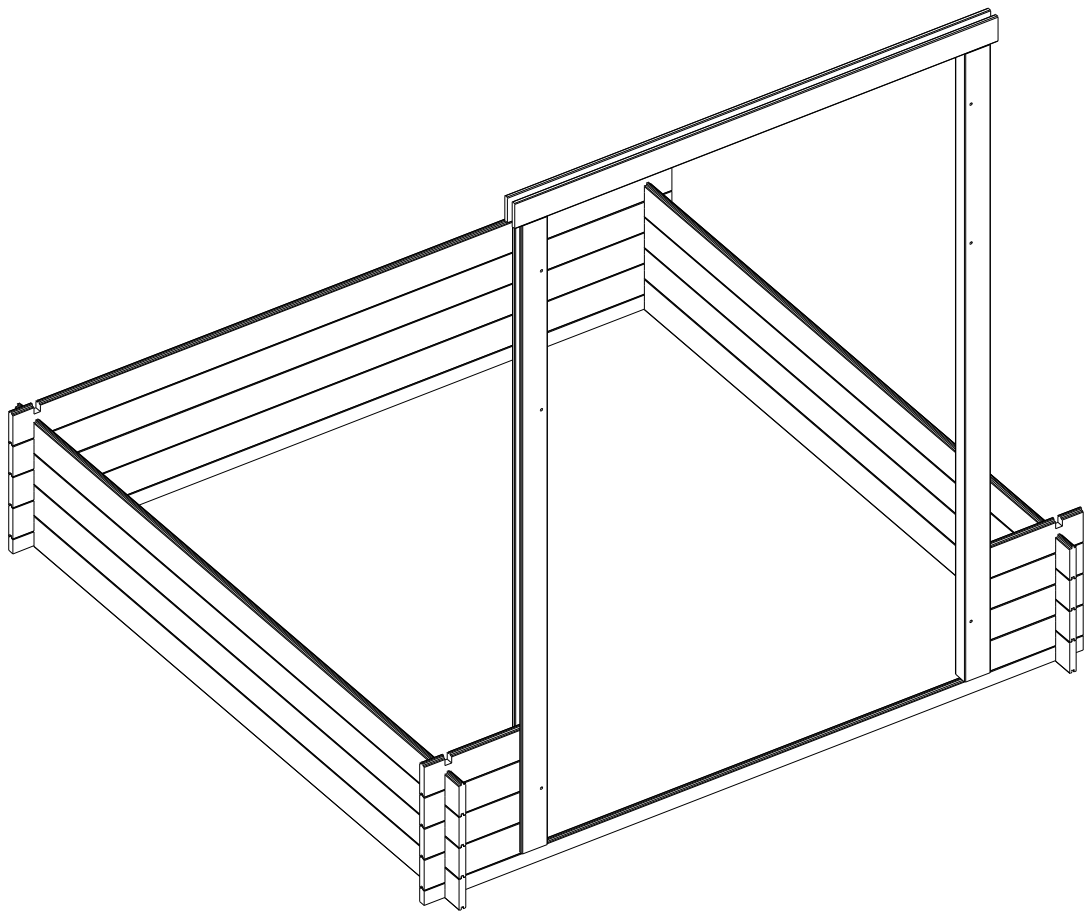
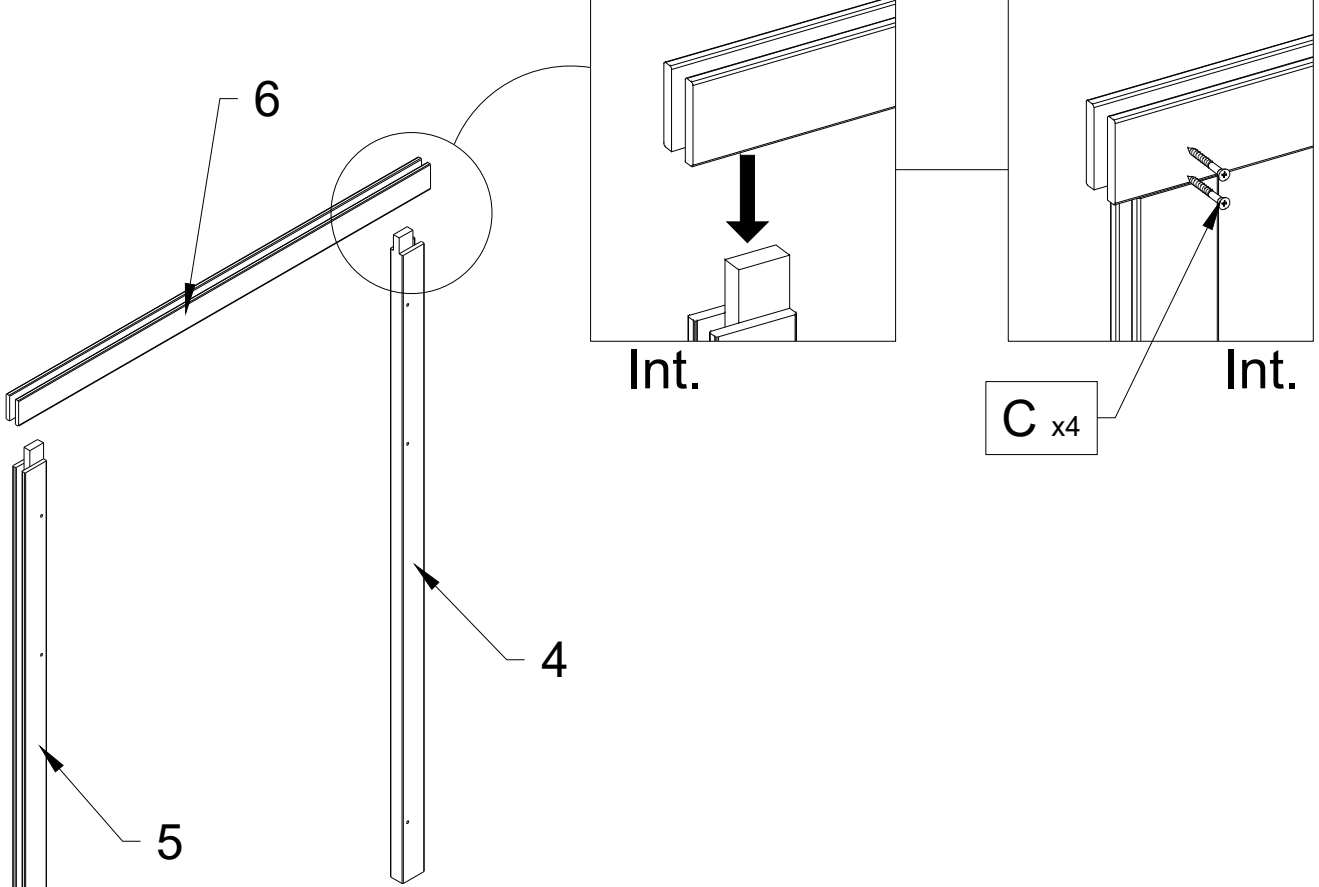
C x32

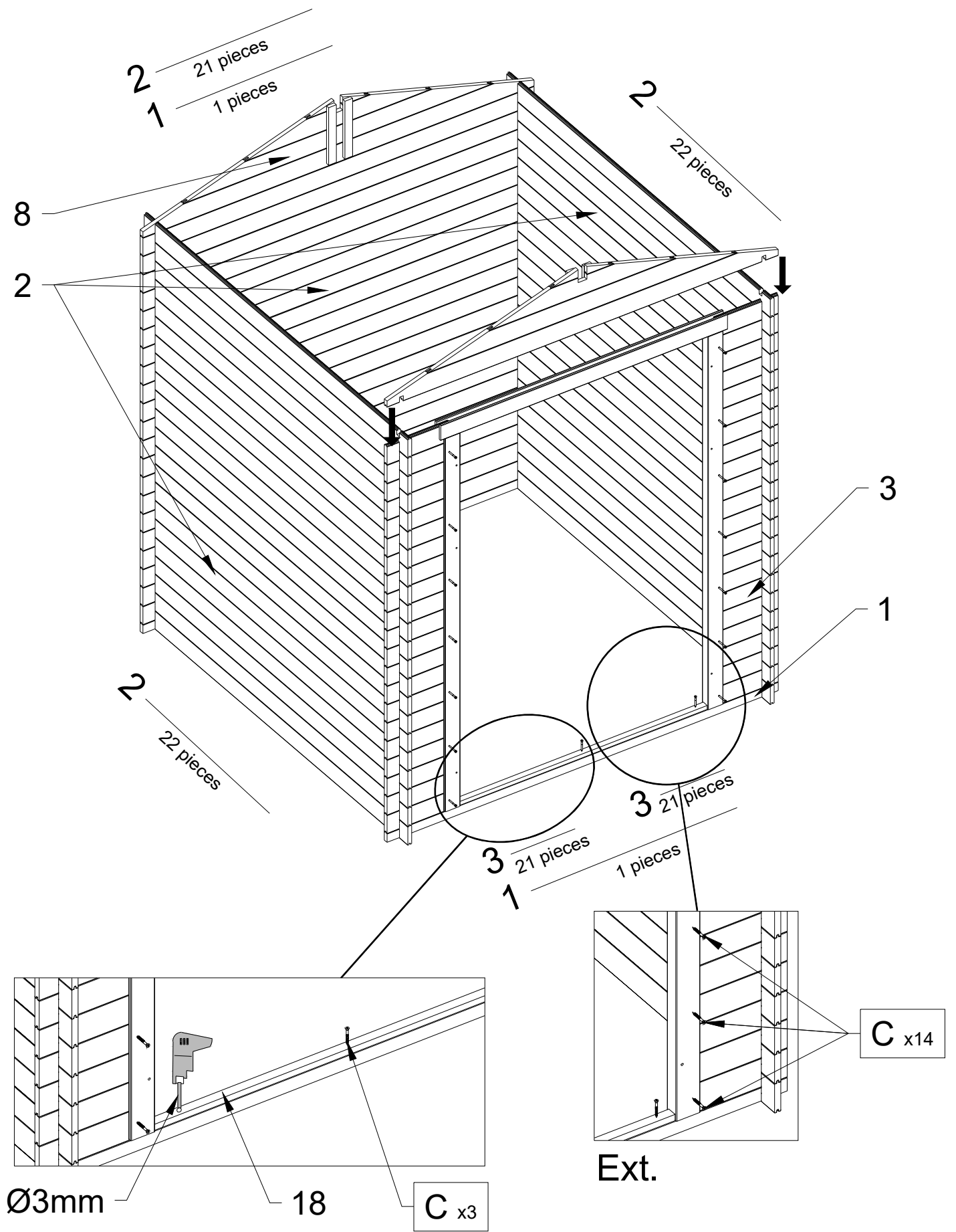


1



2





4

Int.

Ext.

Int.

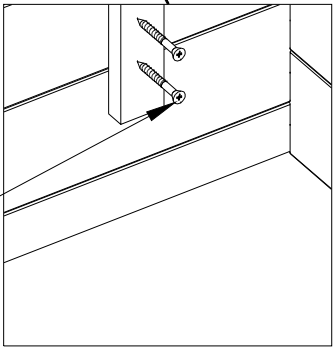
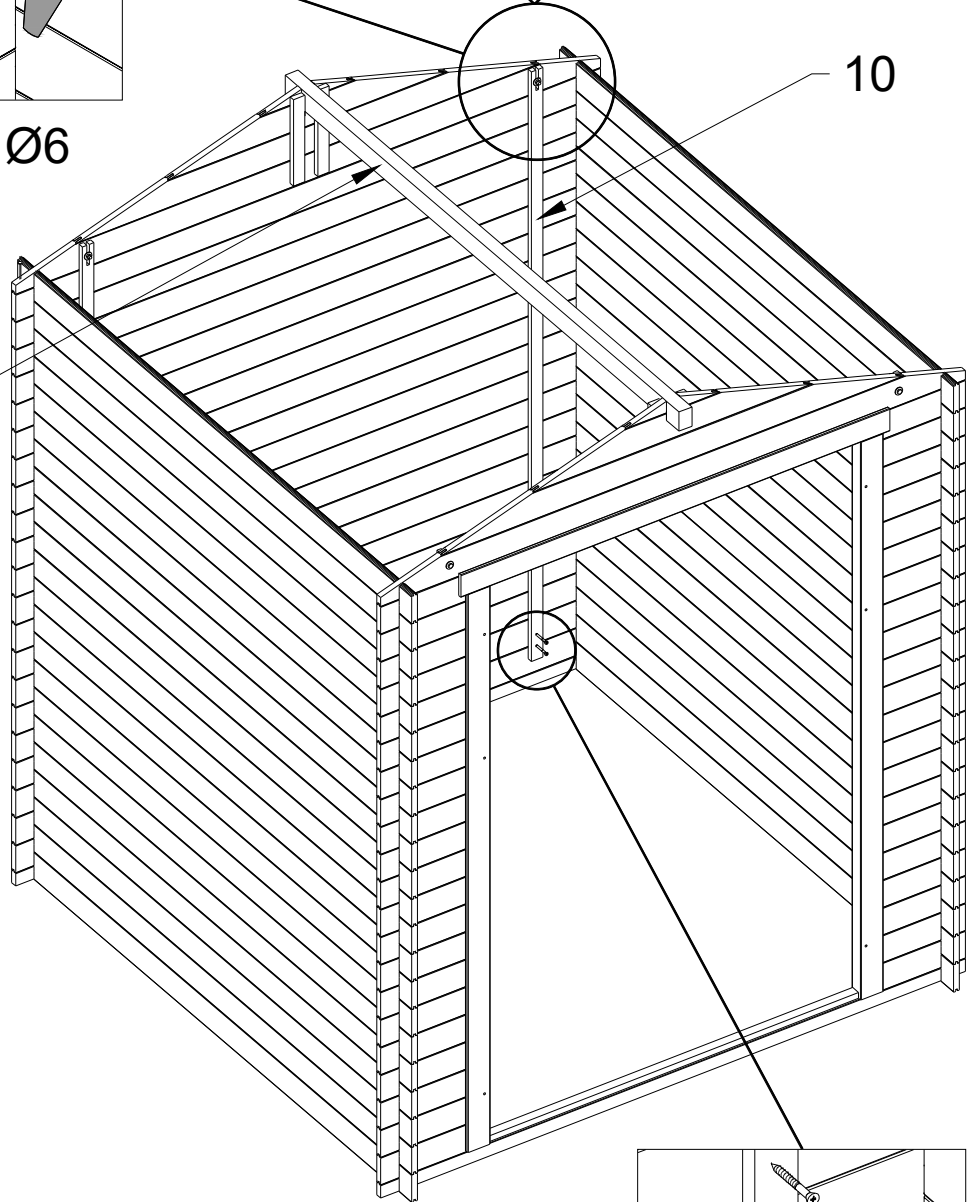
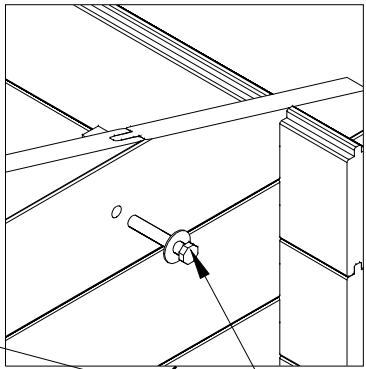
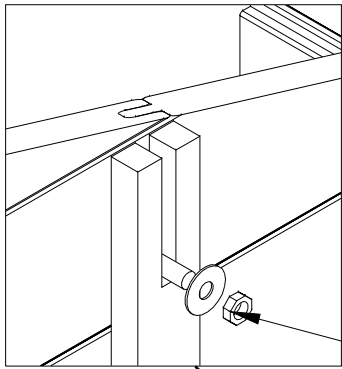
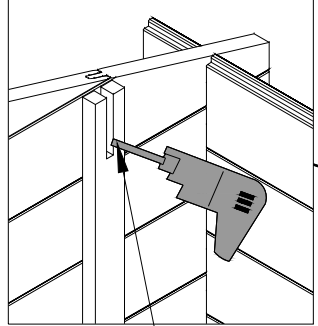
D x4

Ø6

10

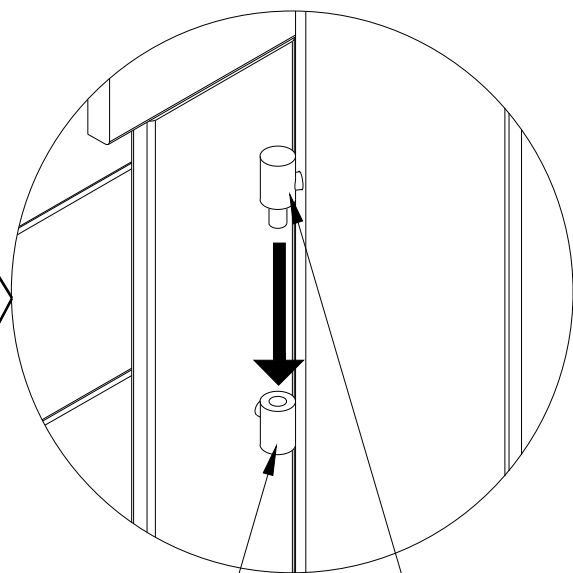
9

C x8



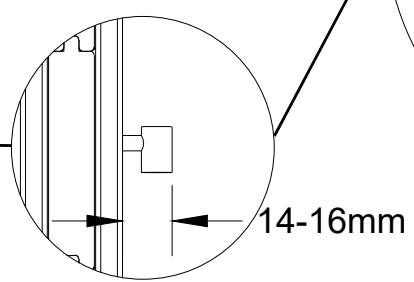
5

14-16mm

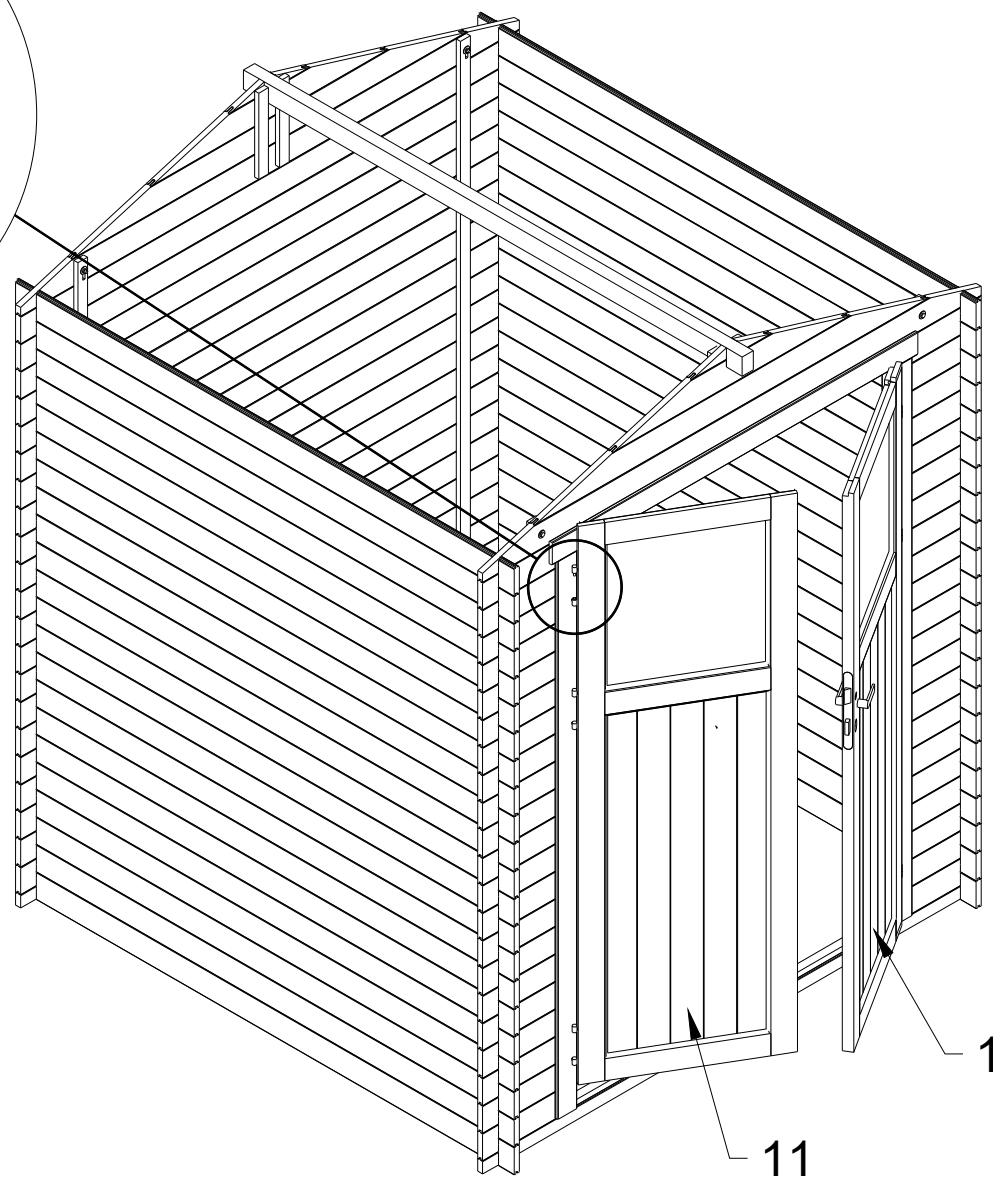
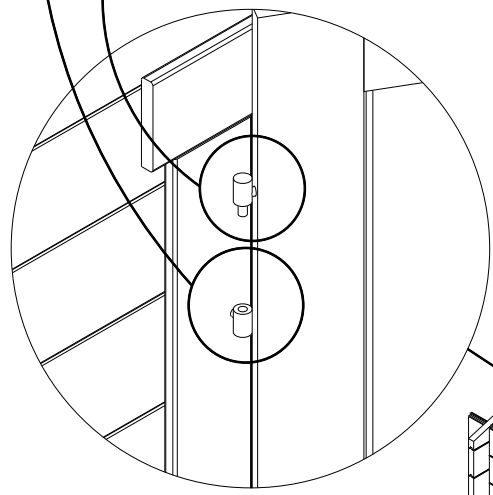
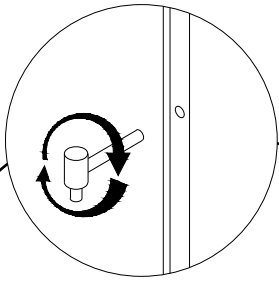
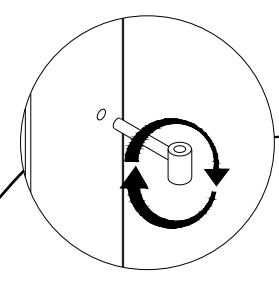


27

26



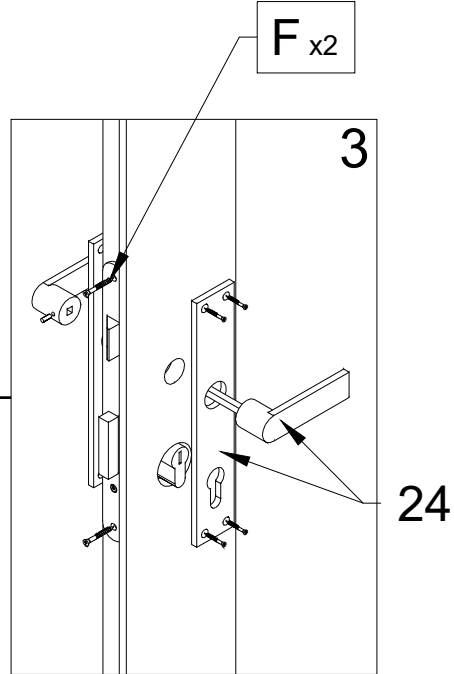
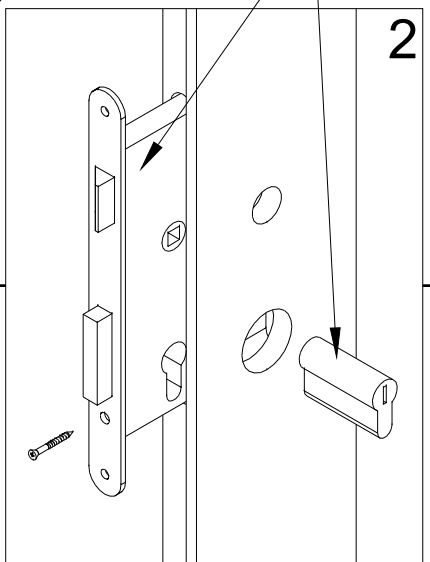
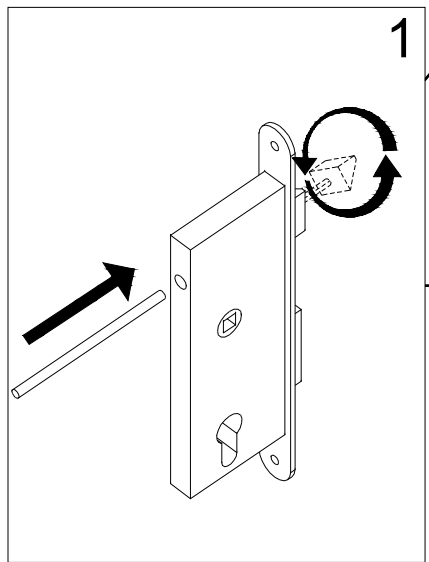
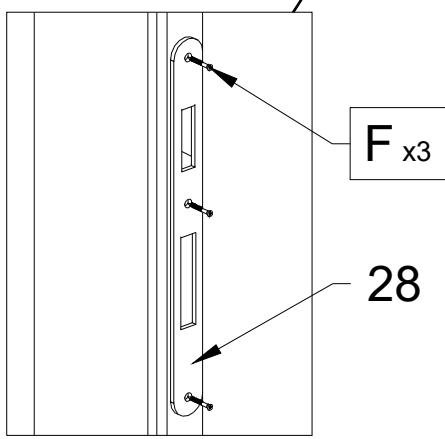
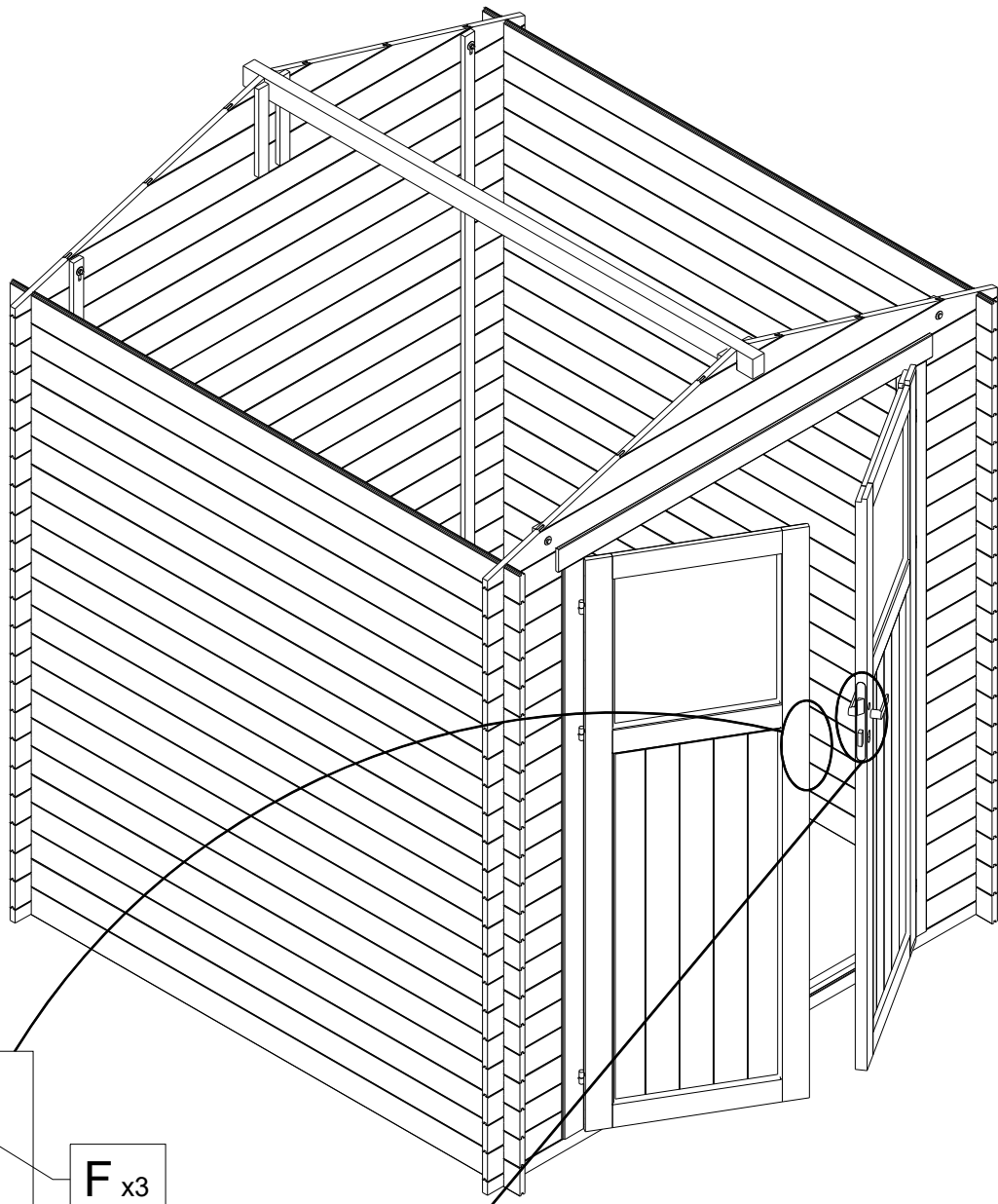
14-16mm

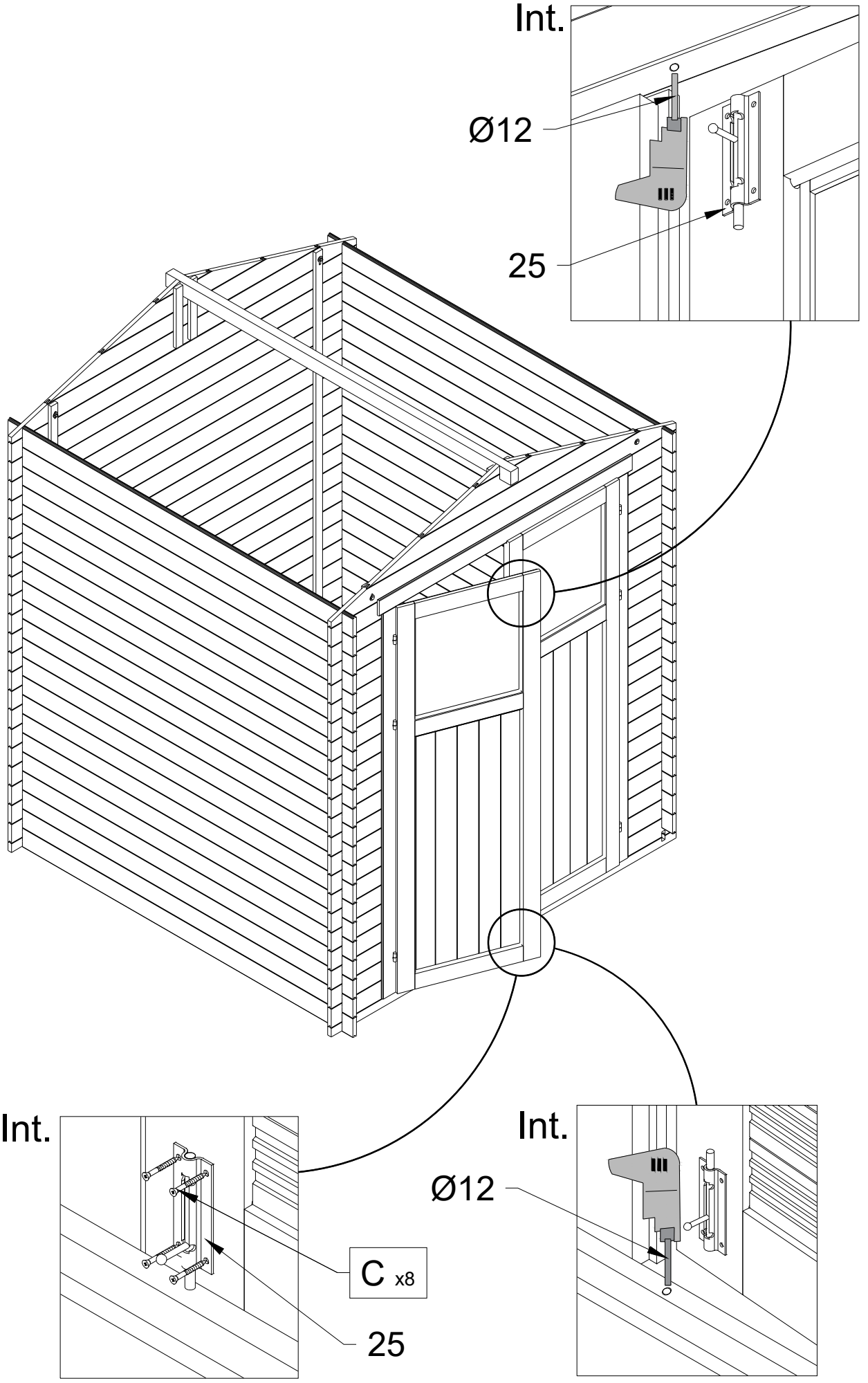


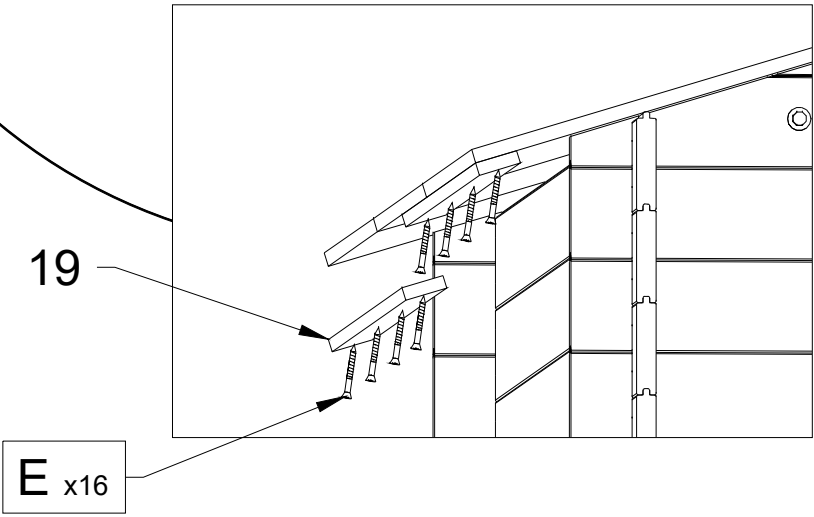
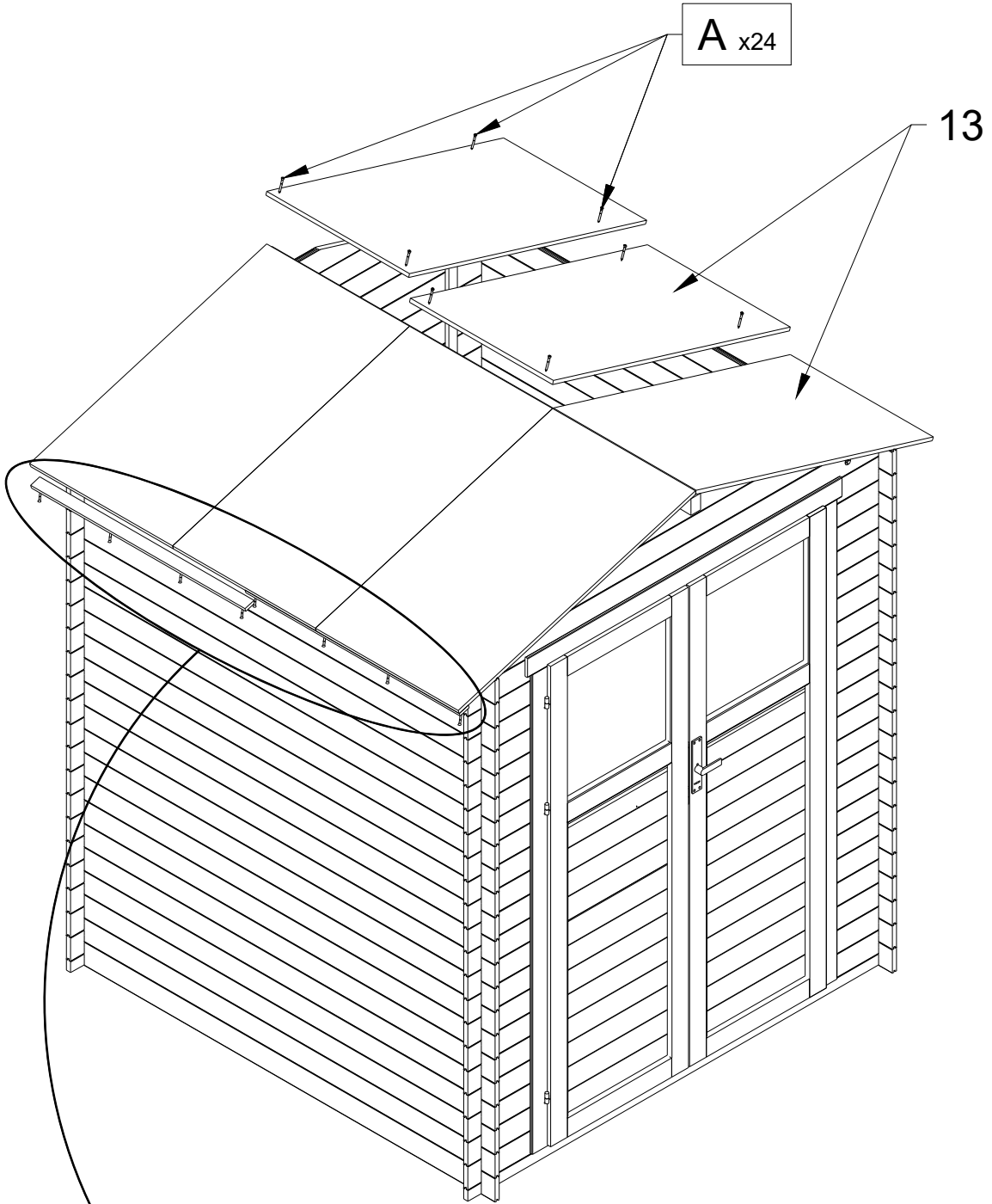
12

11

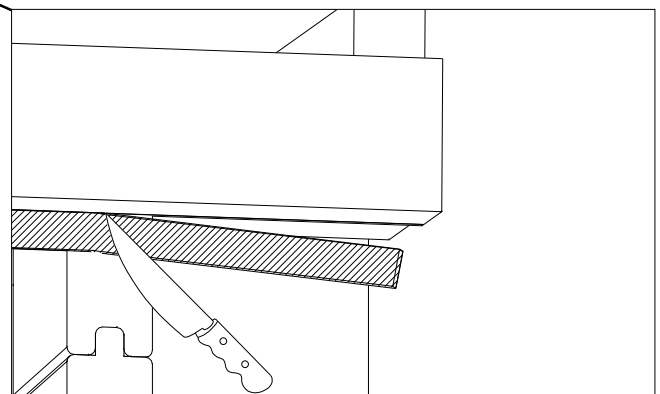
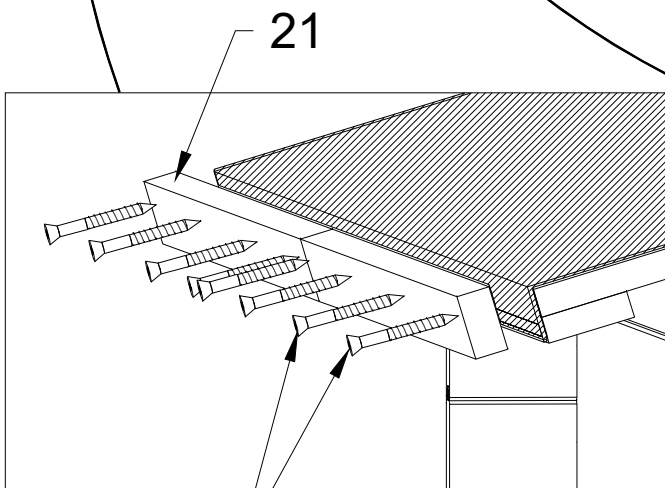
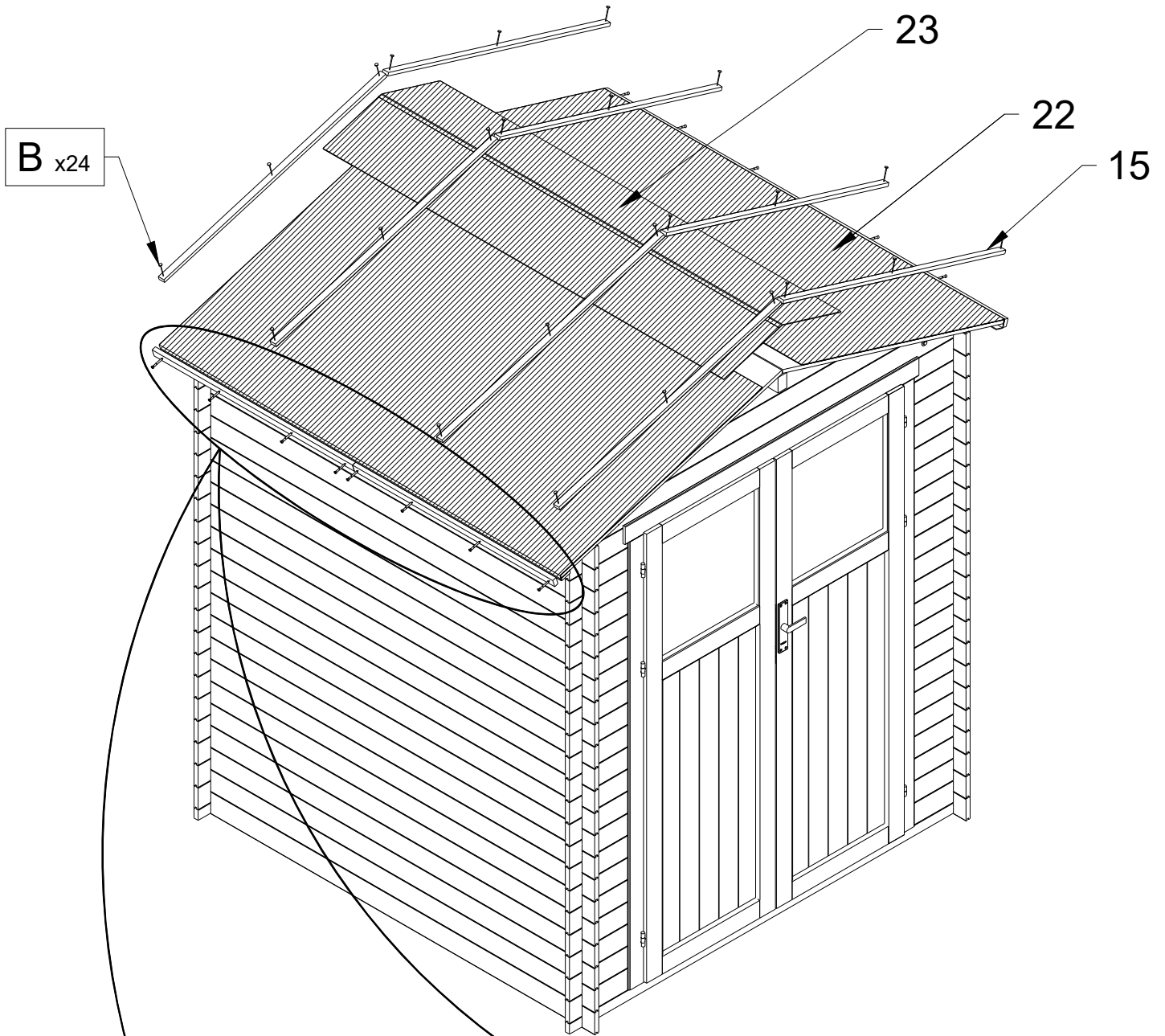
6



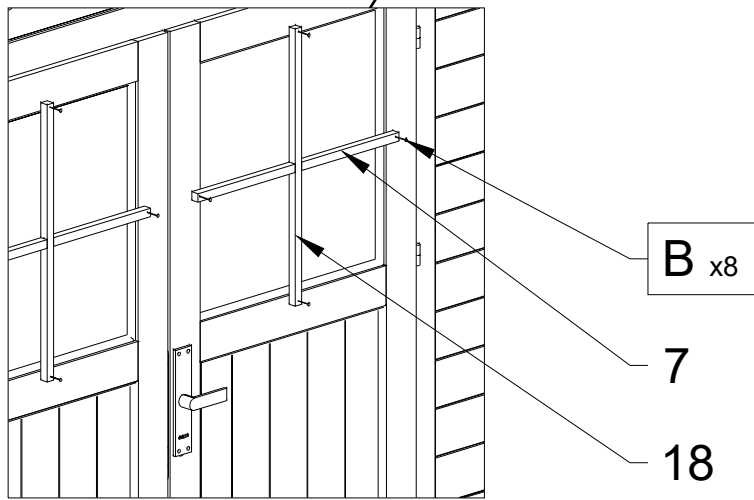
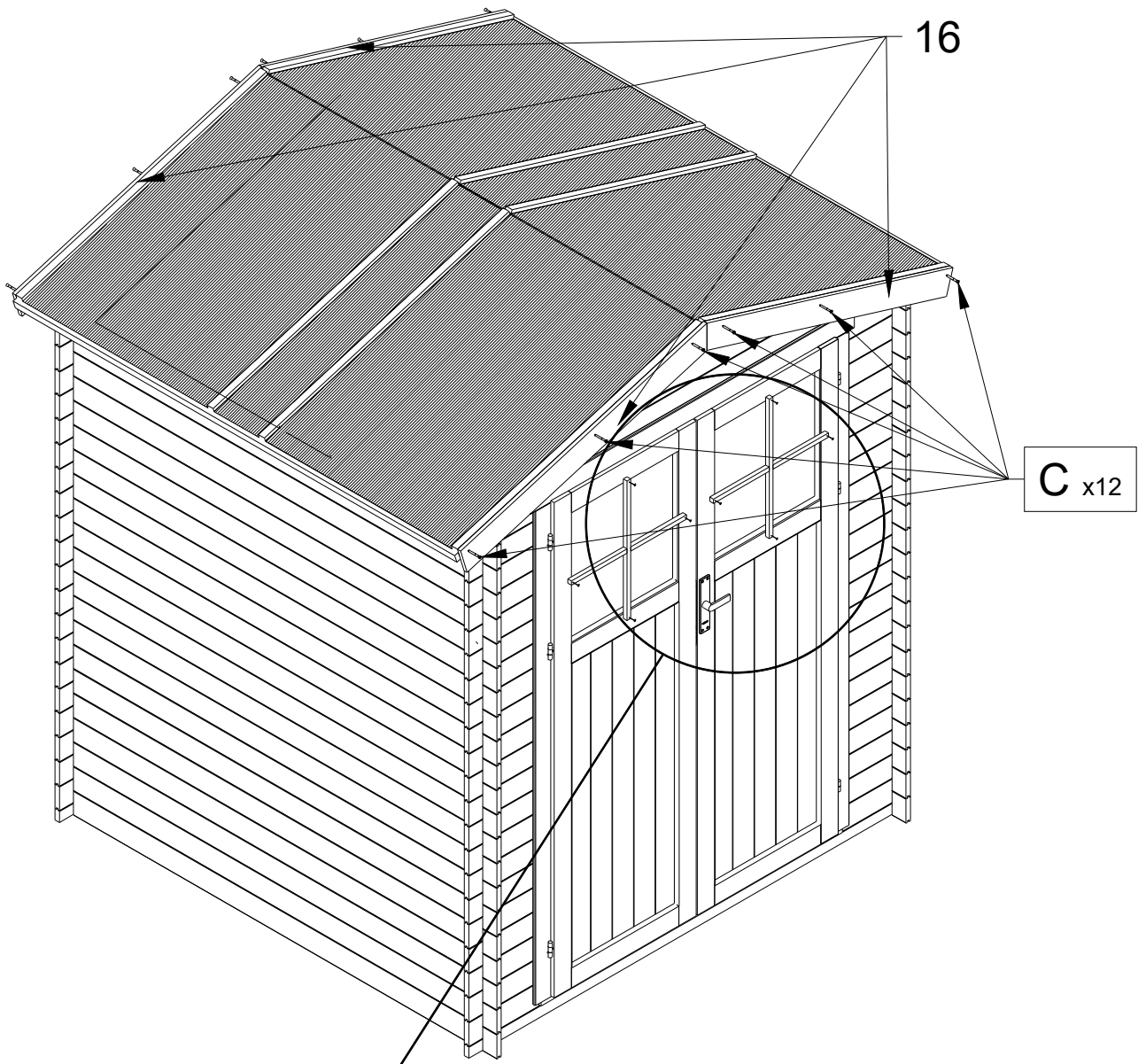




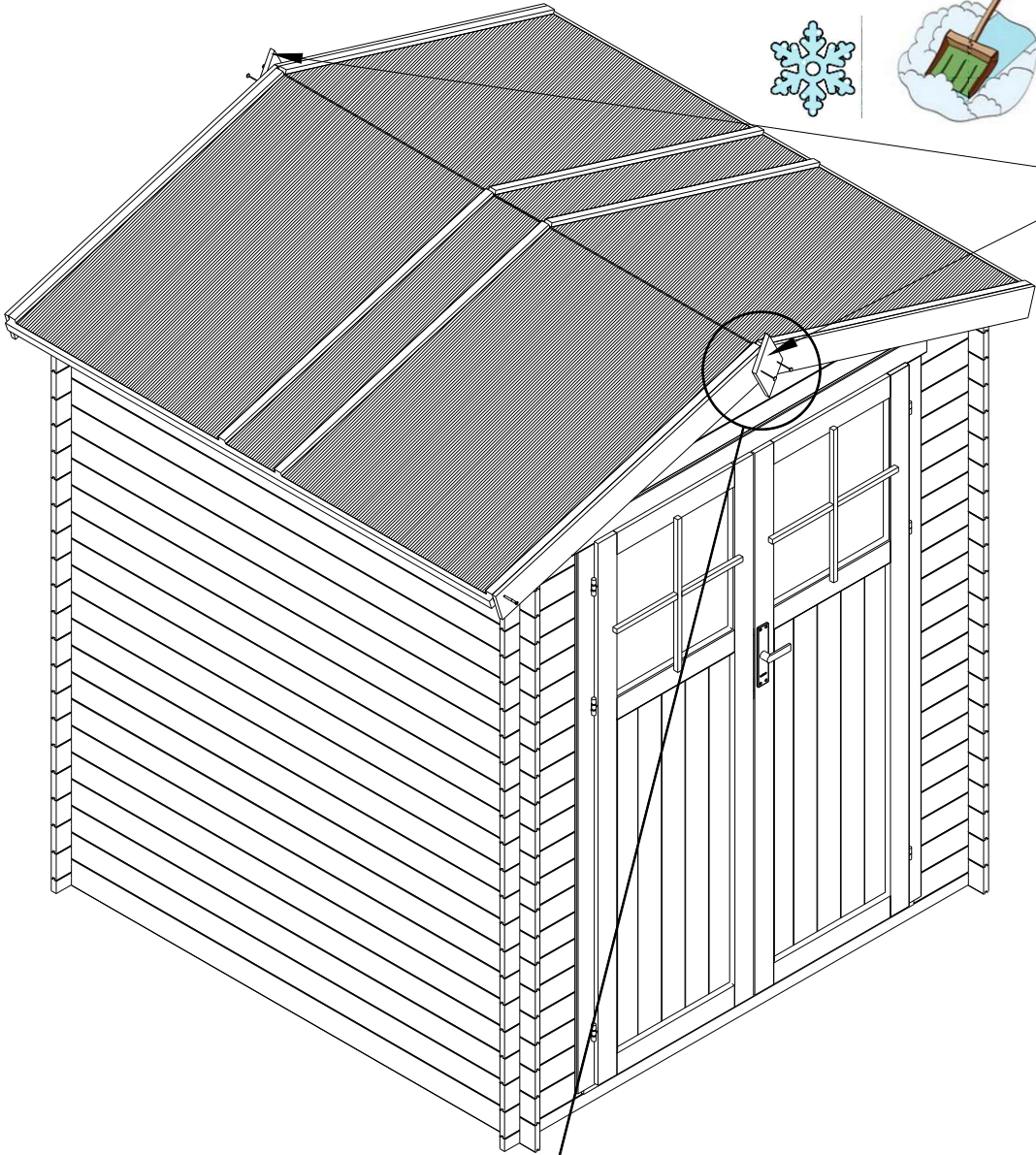
9



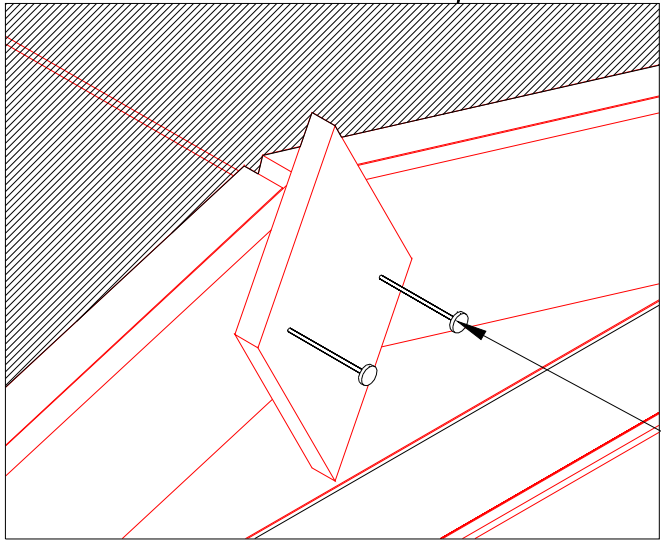
C x16



MAX
30 kg/m²



17



B x4