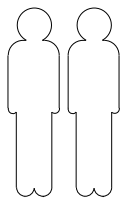
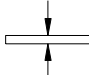
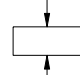
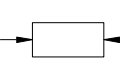
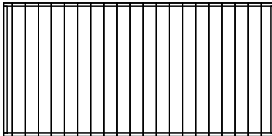
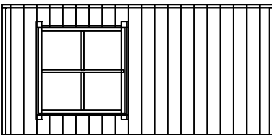
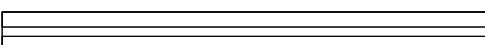
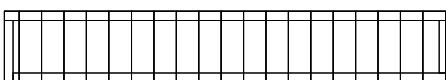
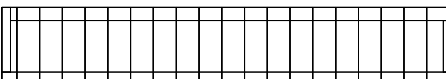
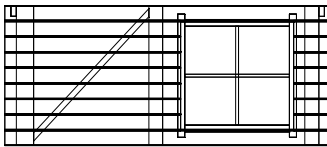
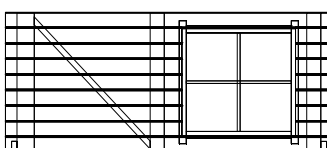
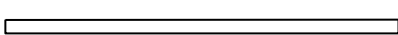

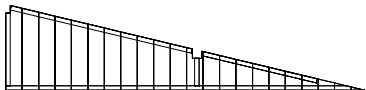
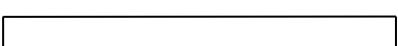
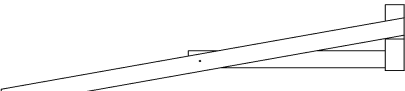
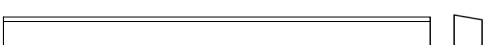

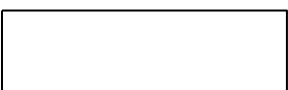
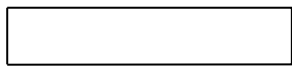
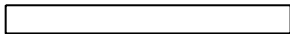
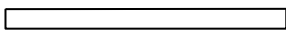
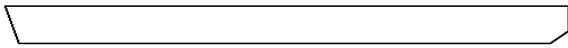
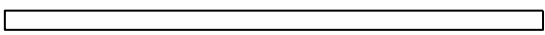
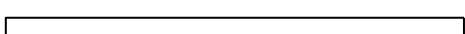
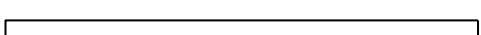
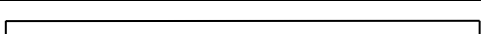
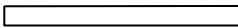
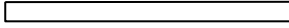

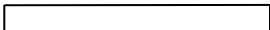
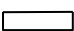



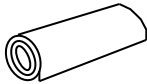
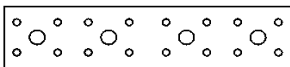
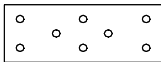
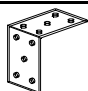
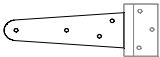
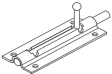
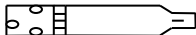


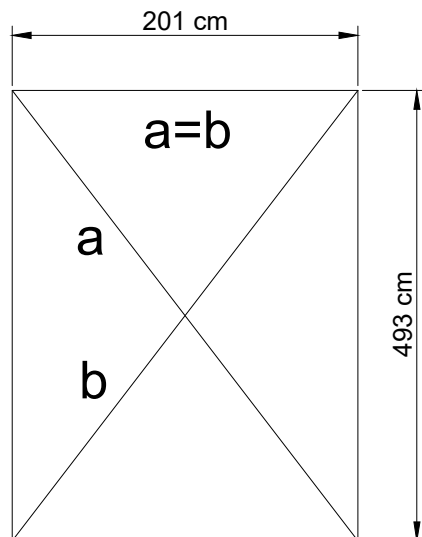
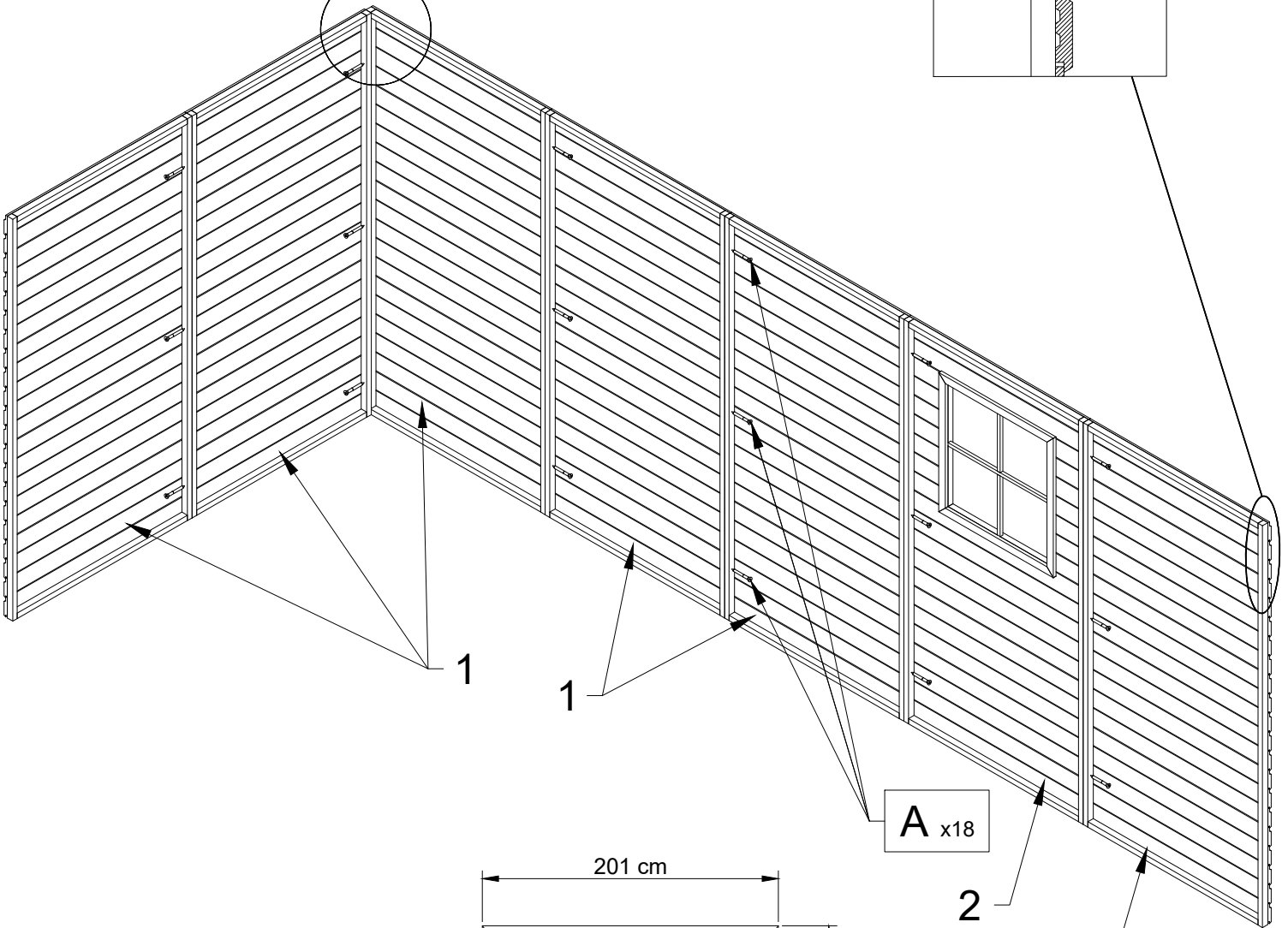
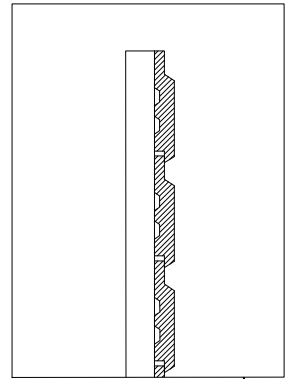
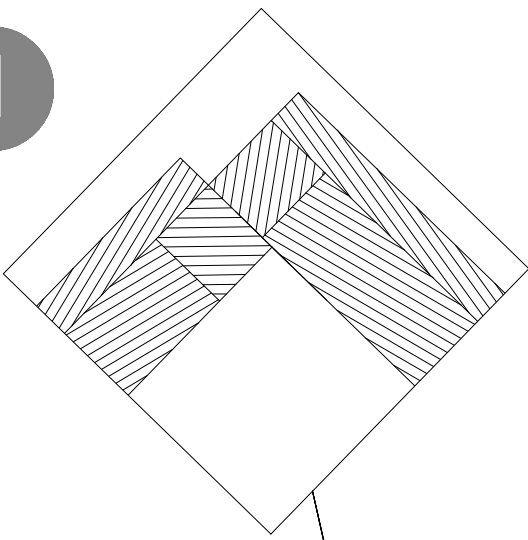
A	4x45	x 107
B	3x25	x 361
C	1.4x25	x 43
D	3x20	x 34
E	3x13	x 20



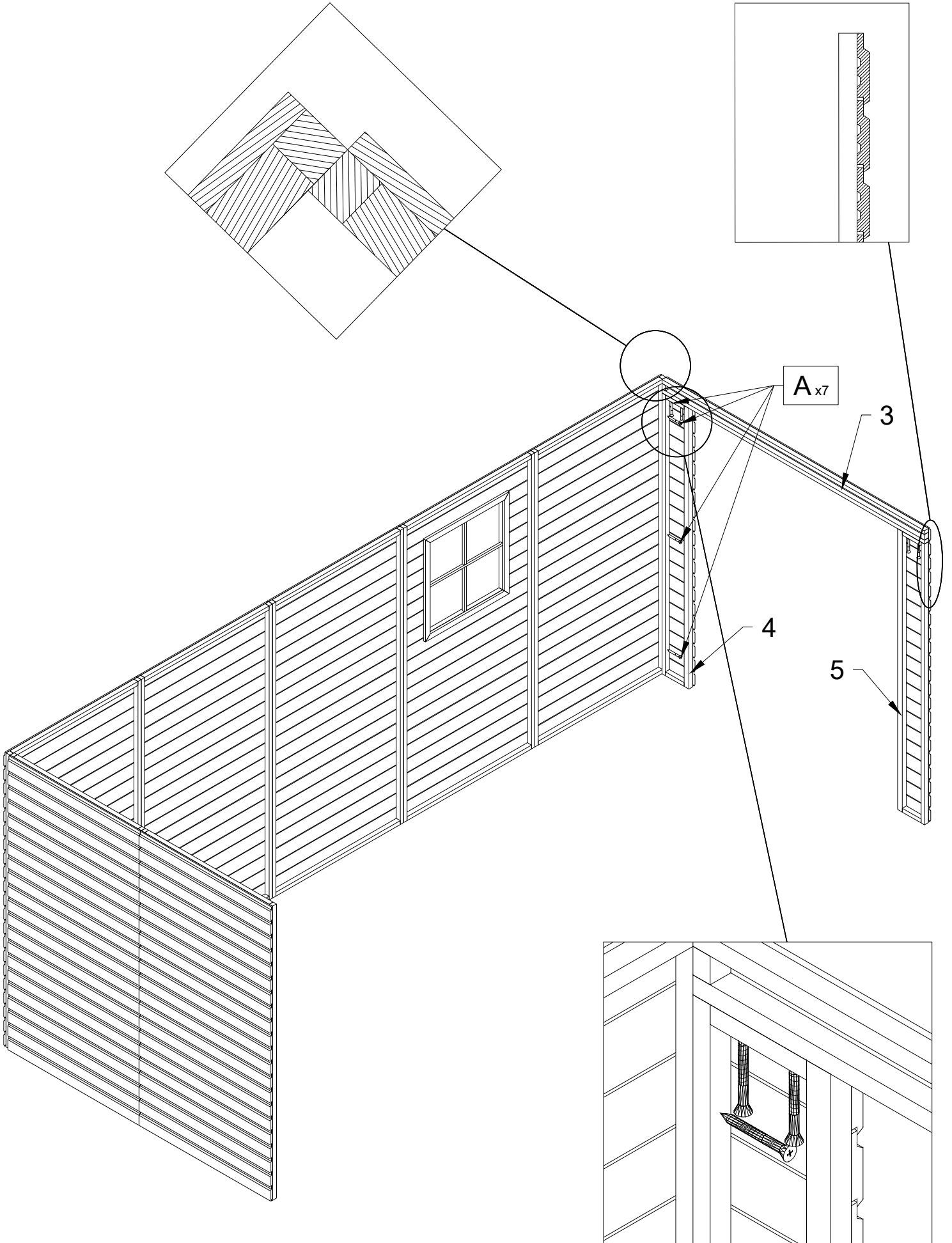
№		PCS	 mm	 mm	 mm
1		6		980	1900
2		1		980	1900
3		1		89	1960
4		1		200	1814
5		1		200	1814
6		1		770	1760
7		1		770	1760
8		1	25	30	1560
9		1		500	2005
10		1		500	2005
11		1	30	60	1560
12		4		510	1960
13		6	40	60	1700
14		3	17	47	1700
15		5	OSB	590	2200

15.1		5	OSB	390	2200
15.2		1	OSB	200	2200
16		5	OSB	35	1020
17		2	13	92	2222
18		7	15	35	2165
19		4	15	35	1835
19.1		1	15	35	1900
20		2	17	47	1900
21		2	15	35	855
22		10	15	35	1020
23		2	40	60	1470
23.1		2	40	60	980
24		1	19	35	135
25	1x10m   → 4x2,5m	4		1m	2,30m
		1		1m	2,30m
26		1		0,5m	2,30m
27		8			
28		2			
29		14			
30		6			
31		3			
32		1			

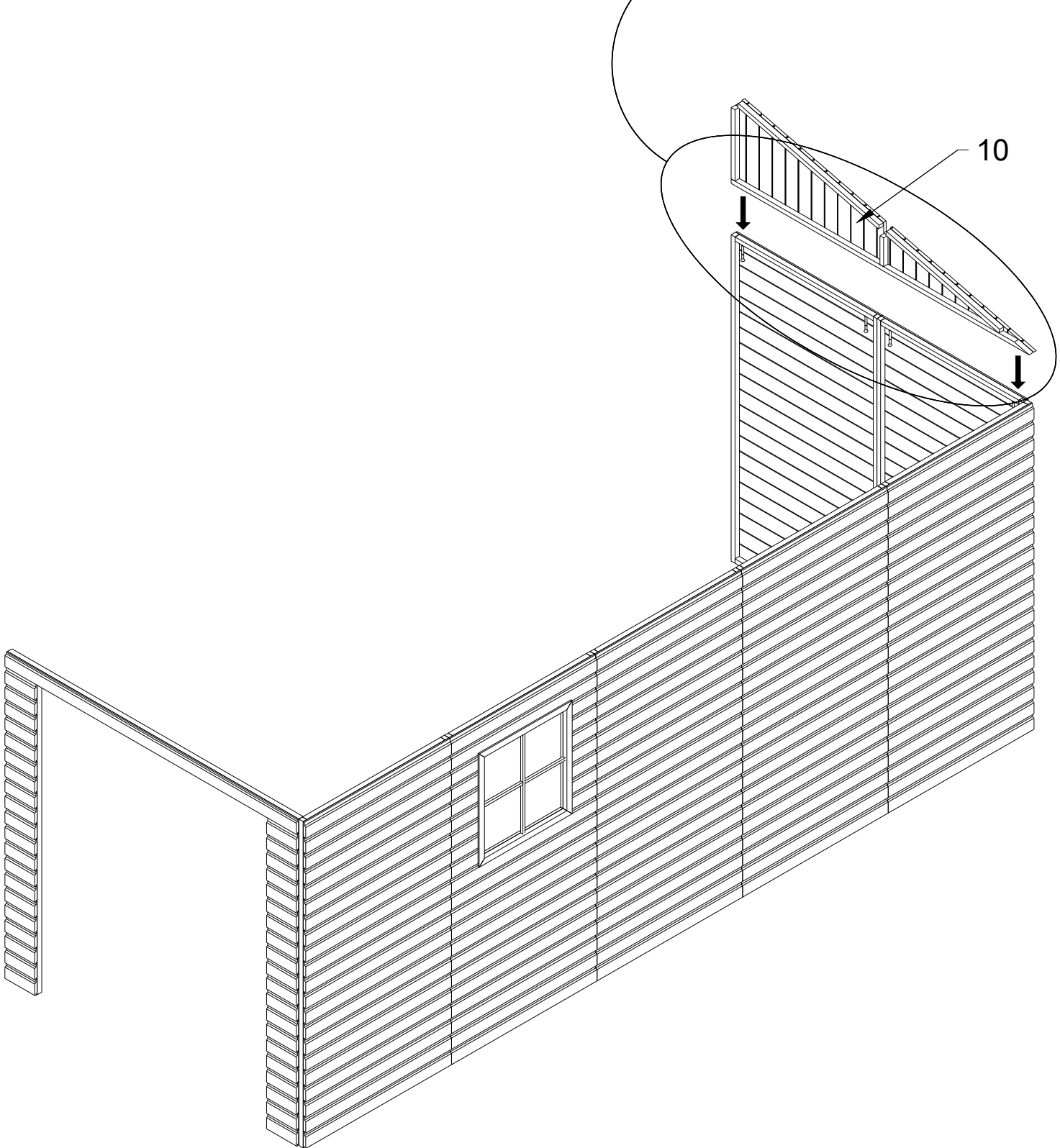
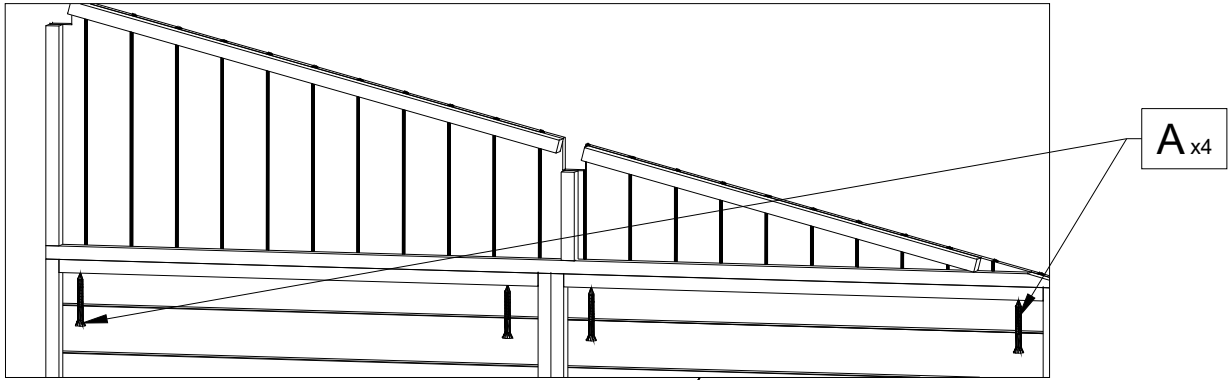
1



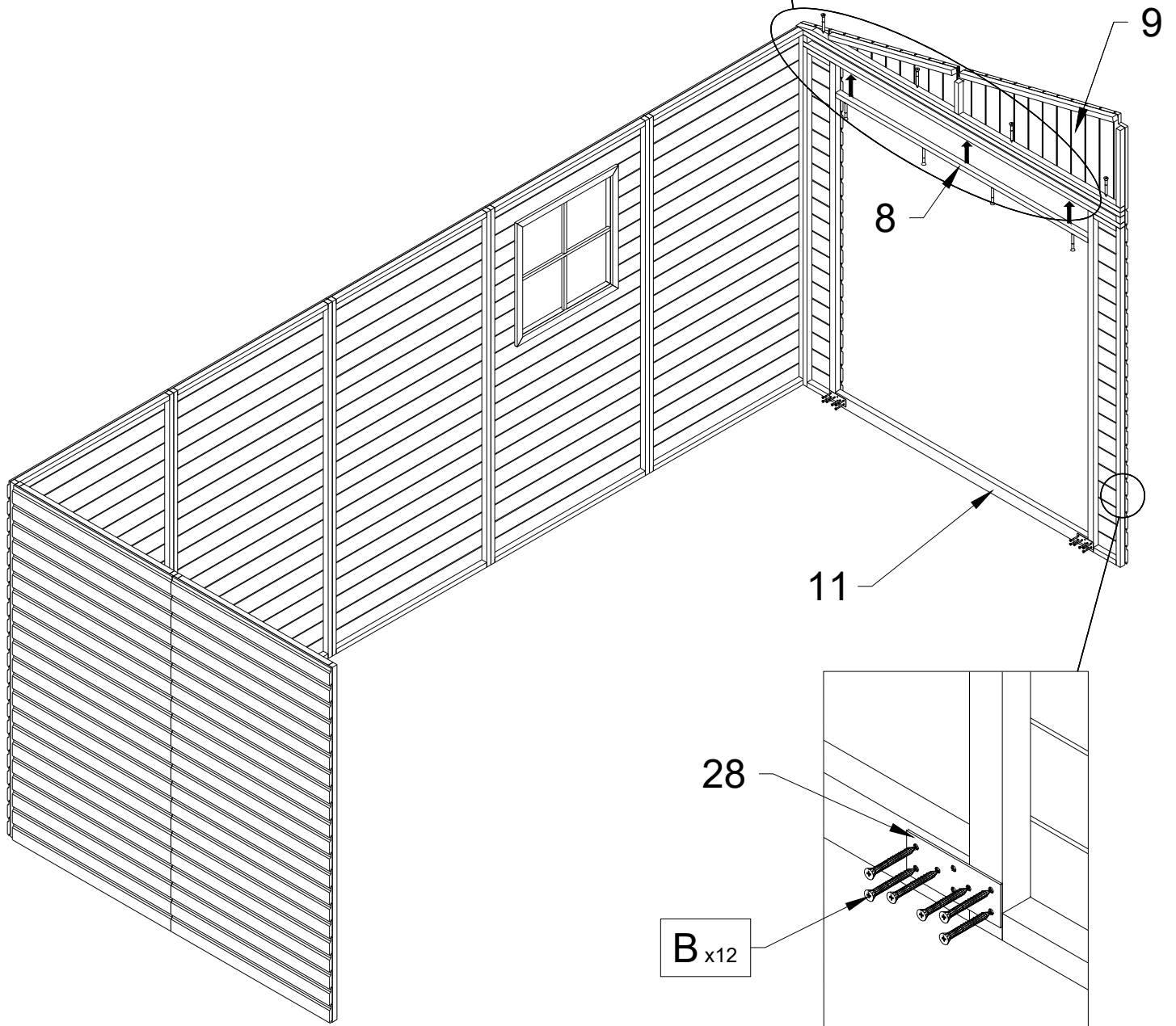
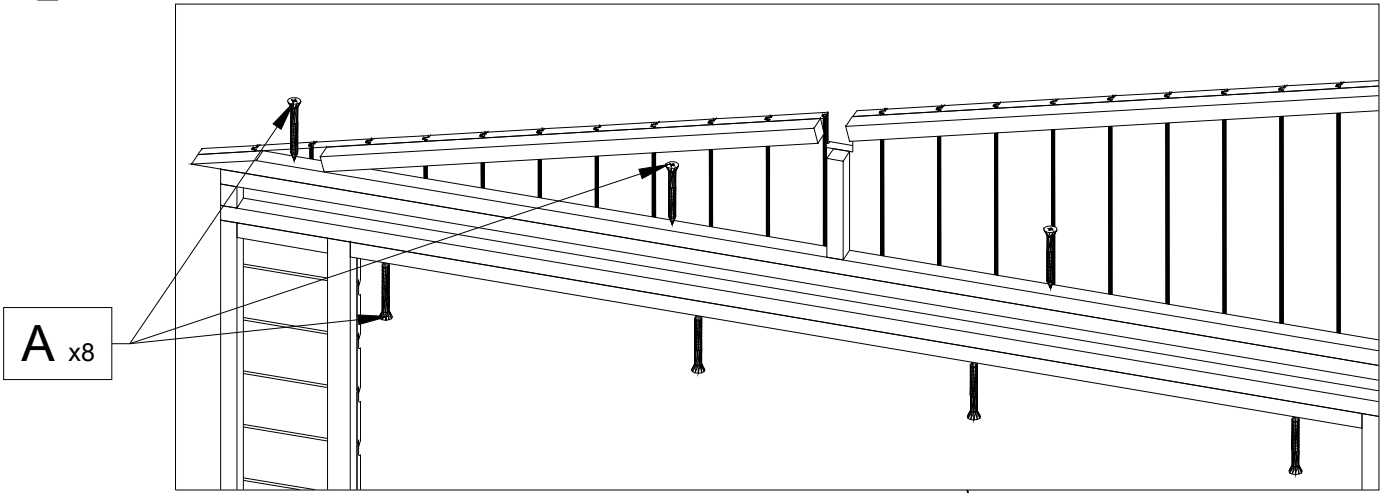
2



3

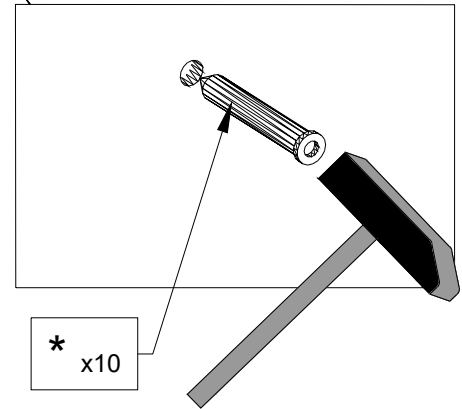
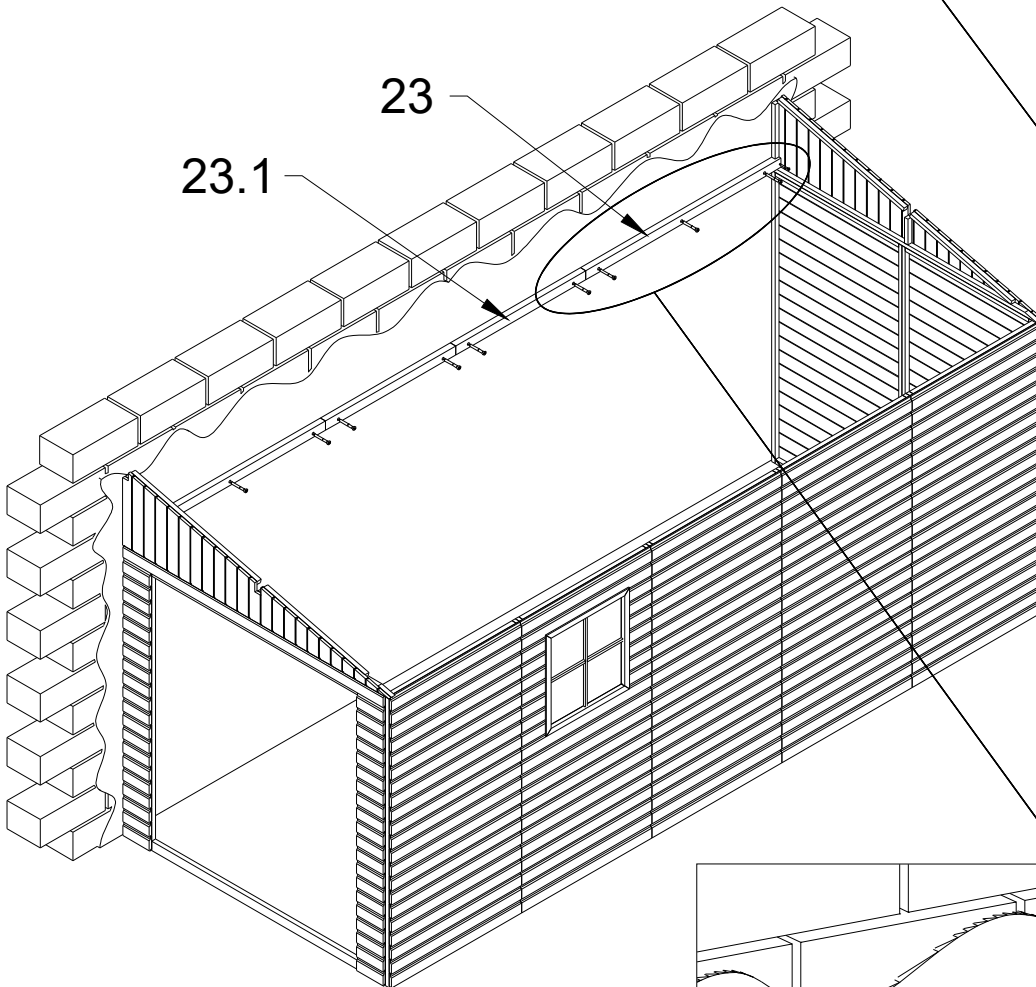
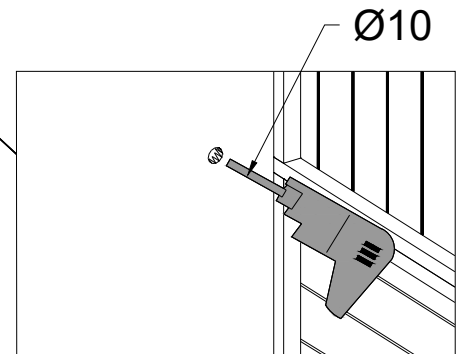
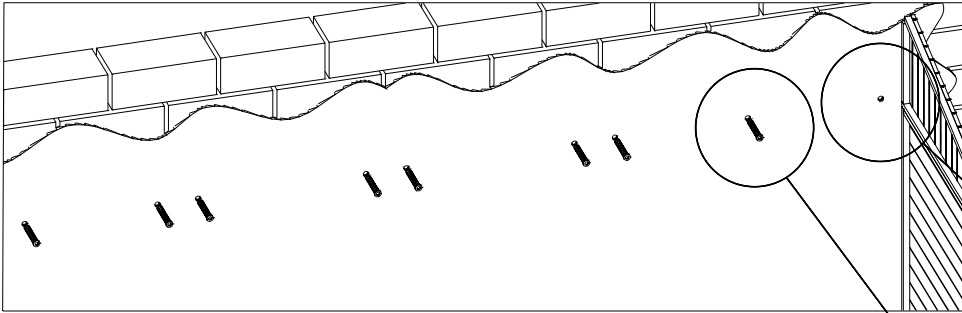
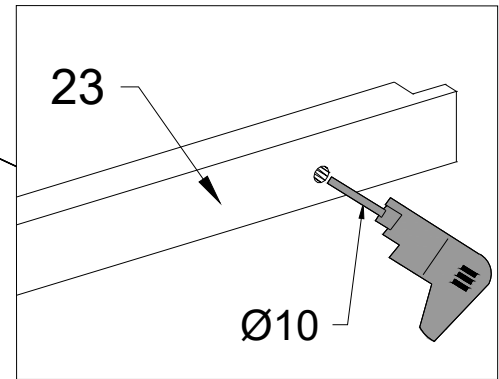
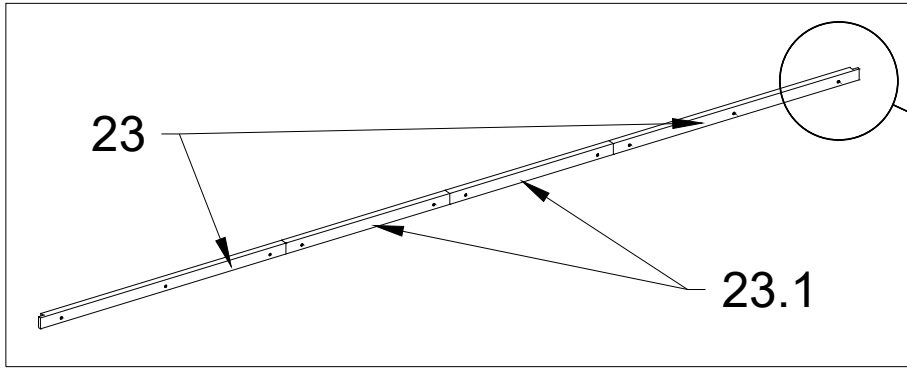


4



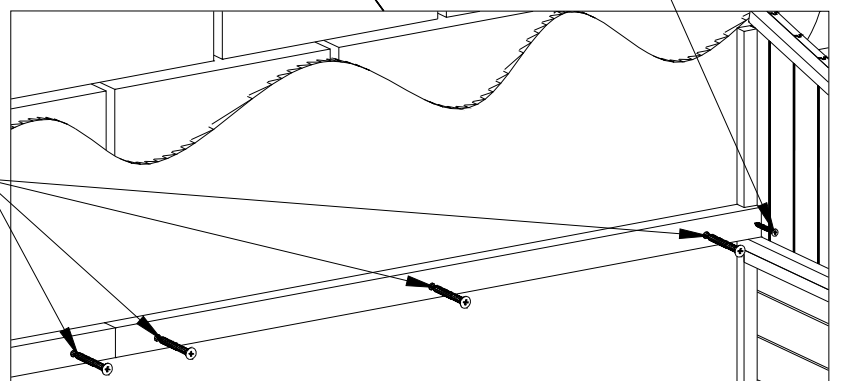
B x12

5



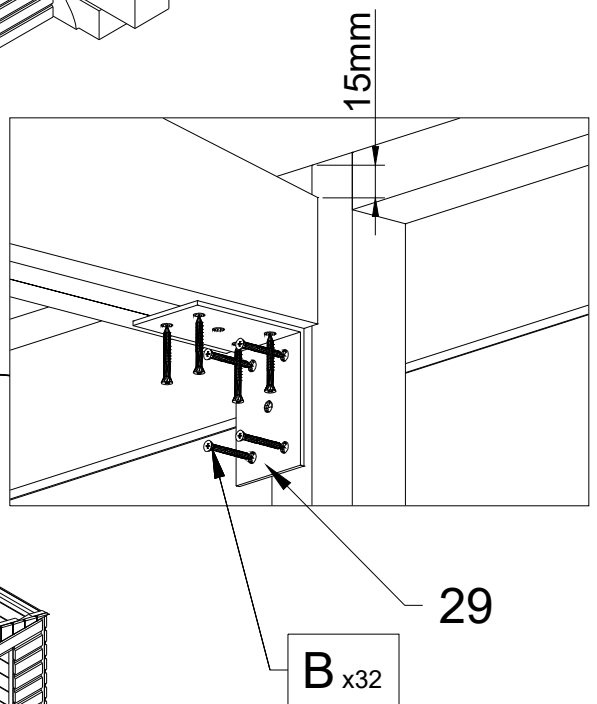
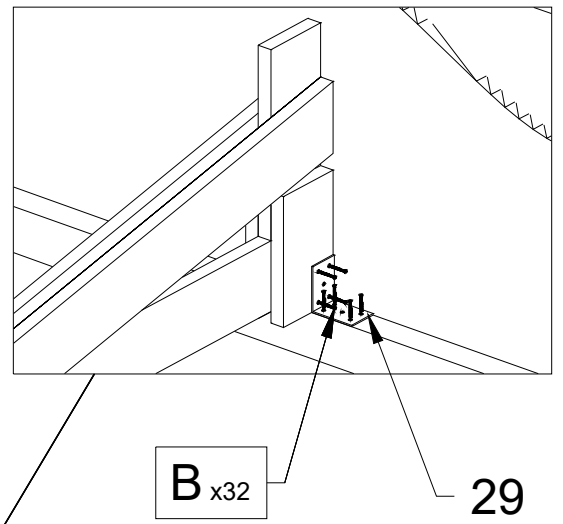
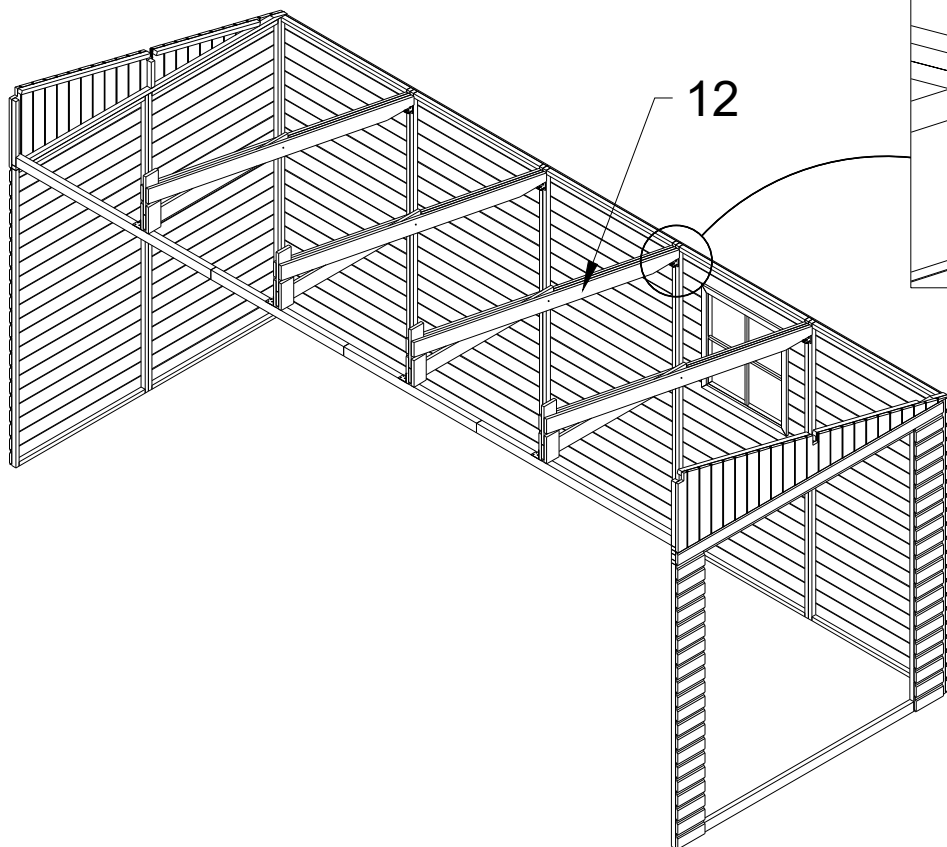
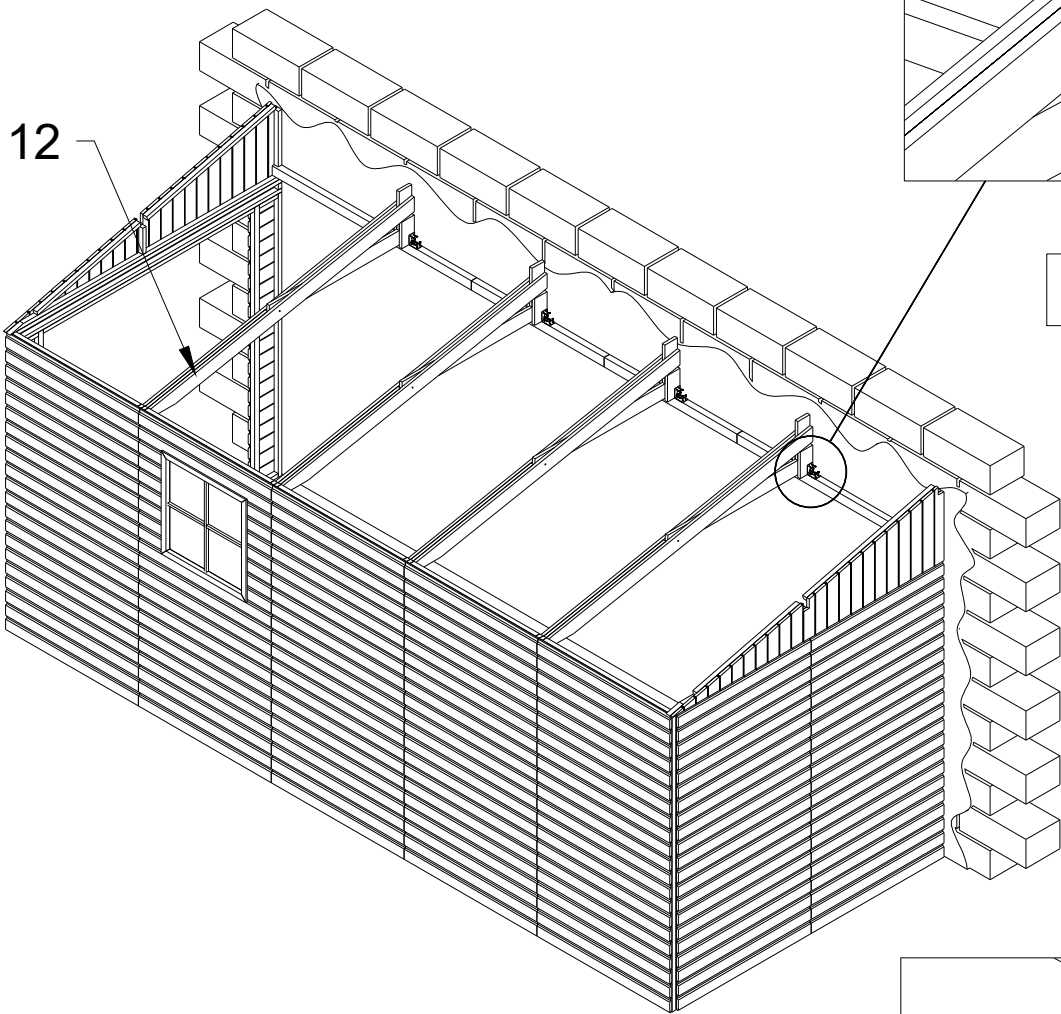
* x10

A x2

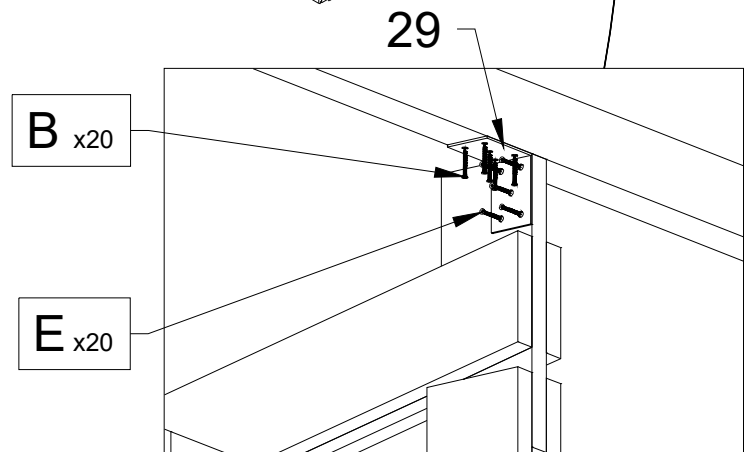
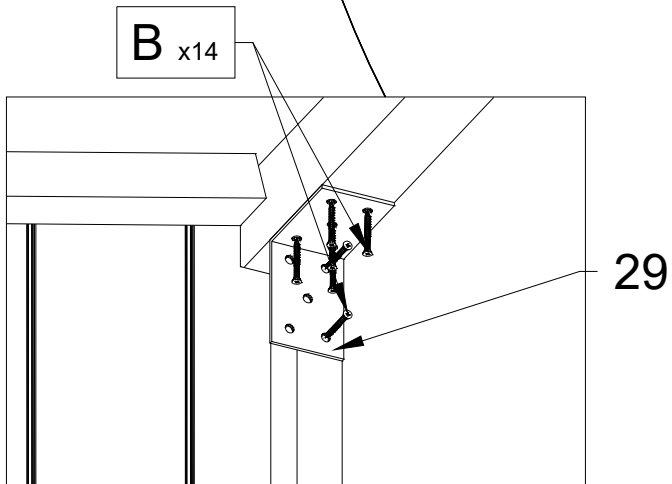
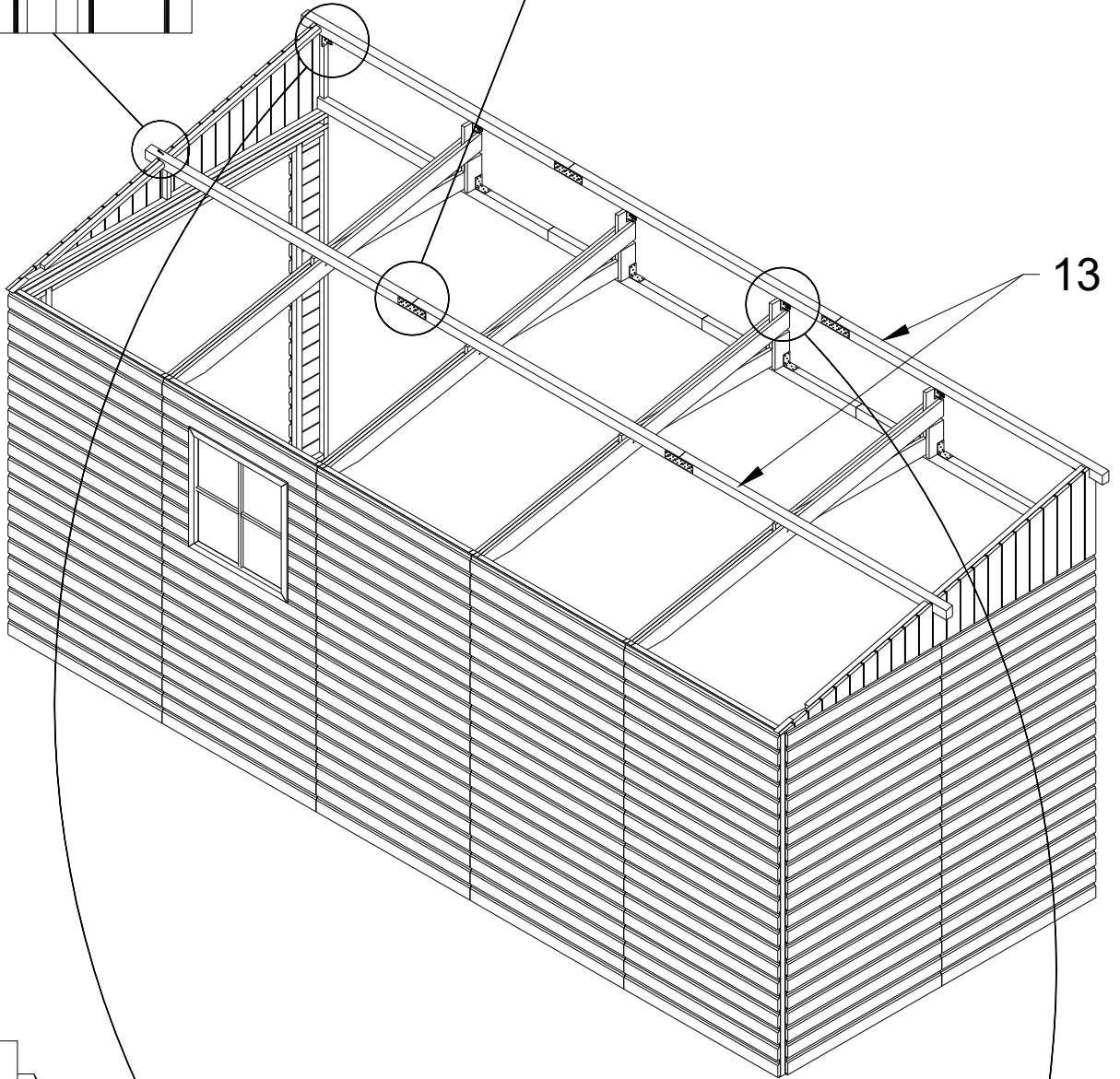
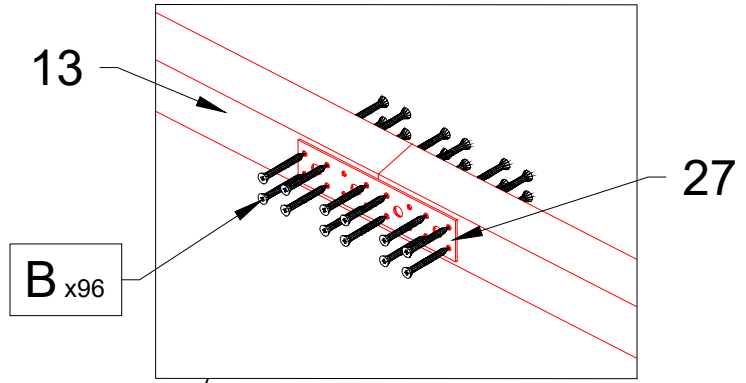
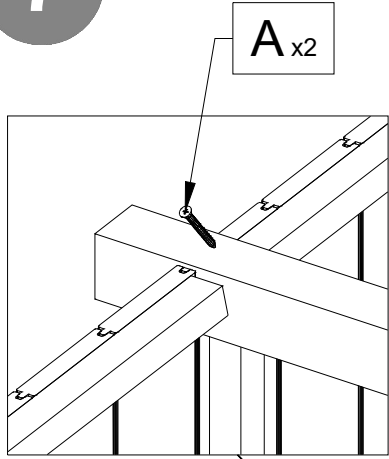


Note: * - Choose at your own demand

6



7



8

30

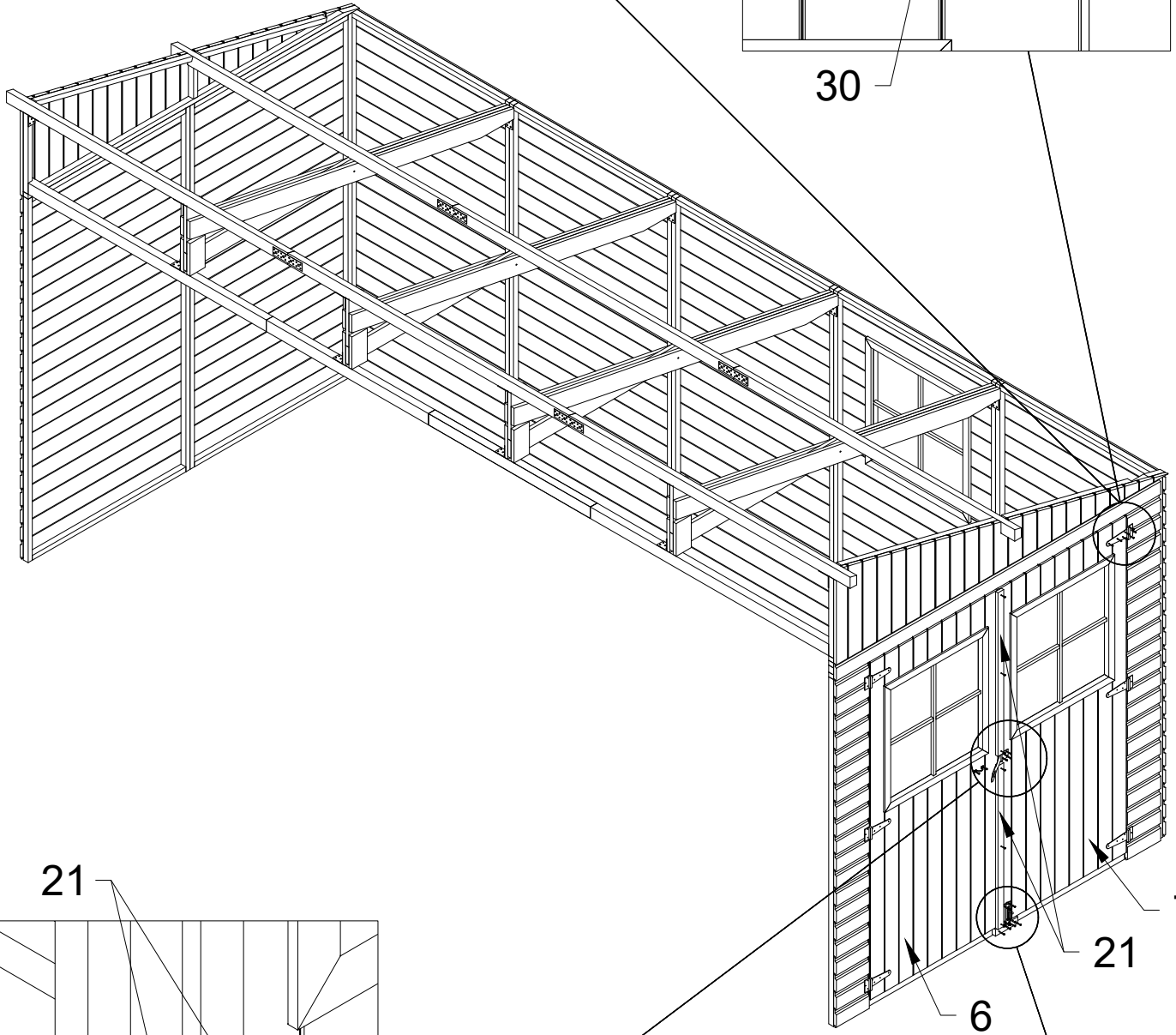
B x42

7

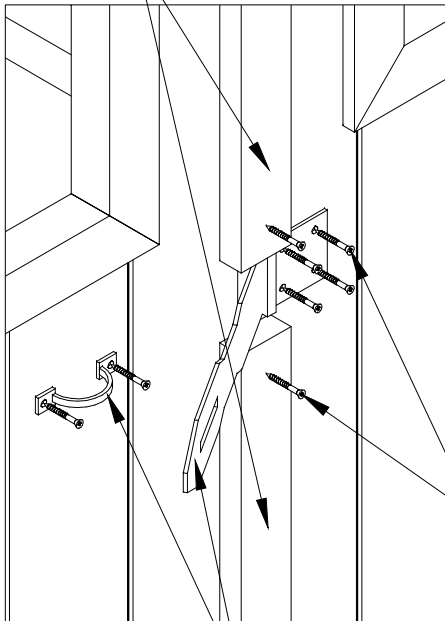
5mm

5mm

30



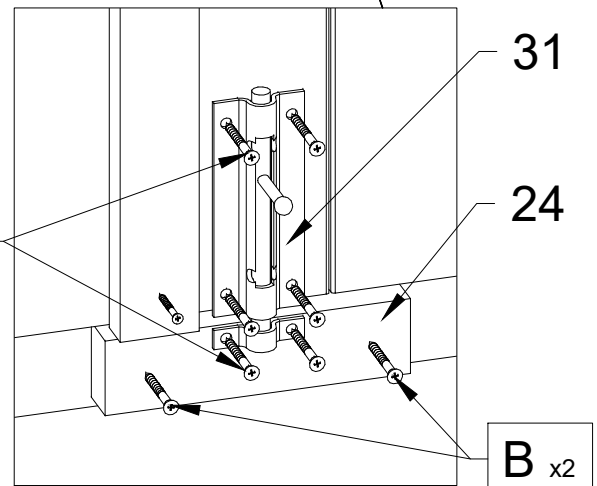
21



B x12

32

D x6

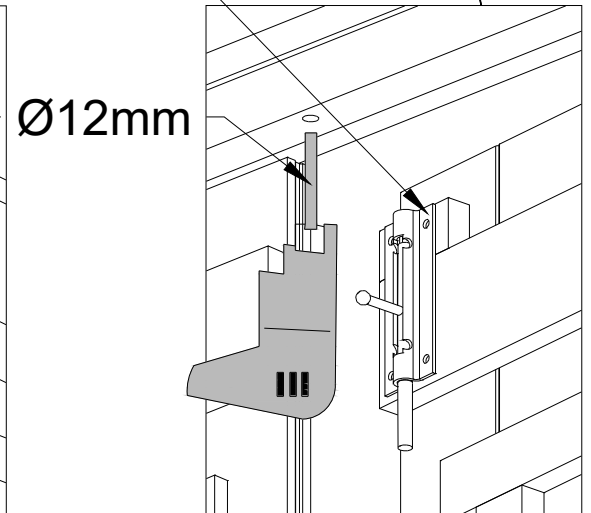
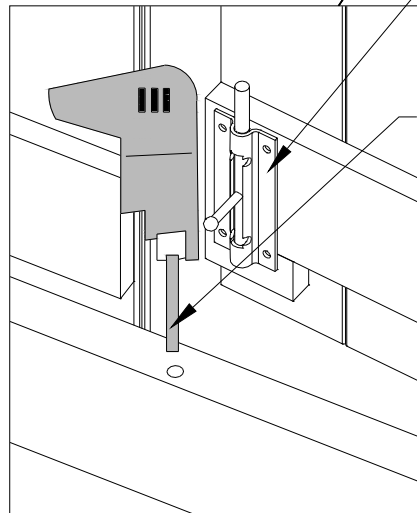
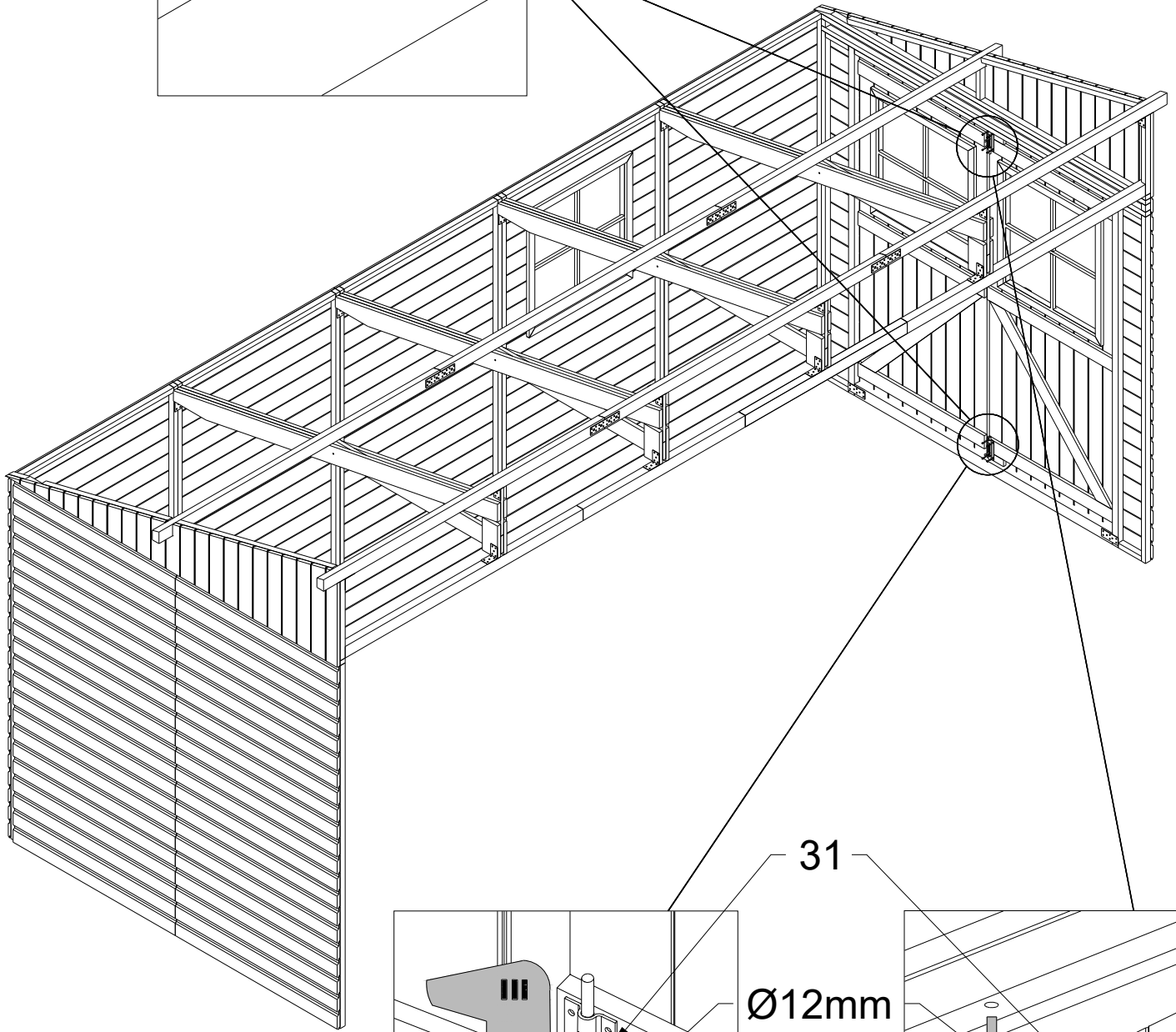
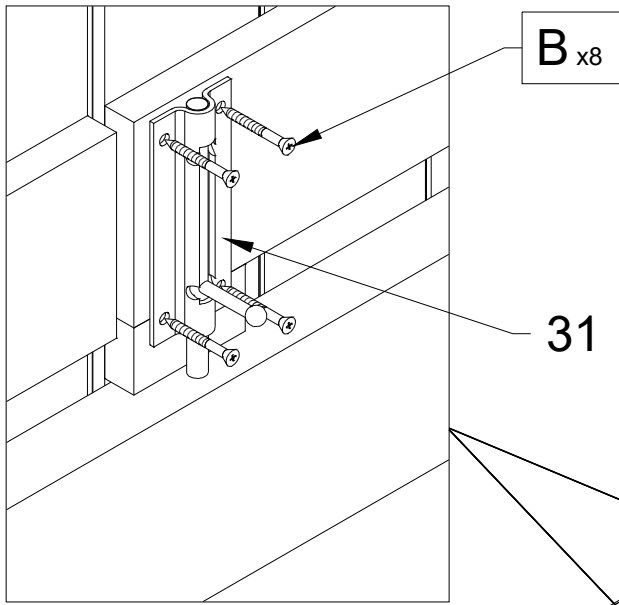


31

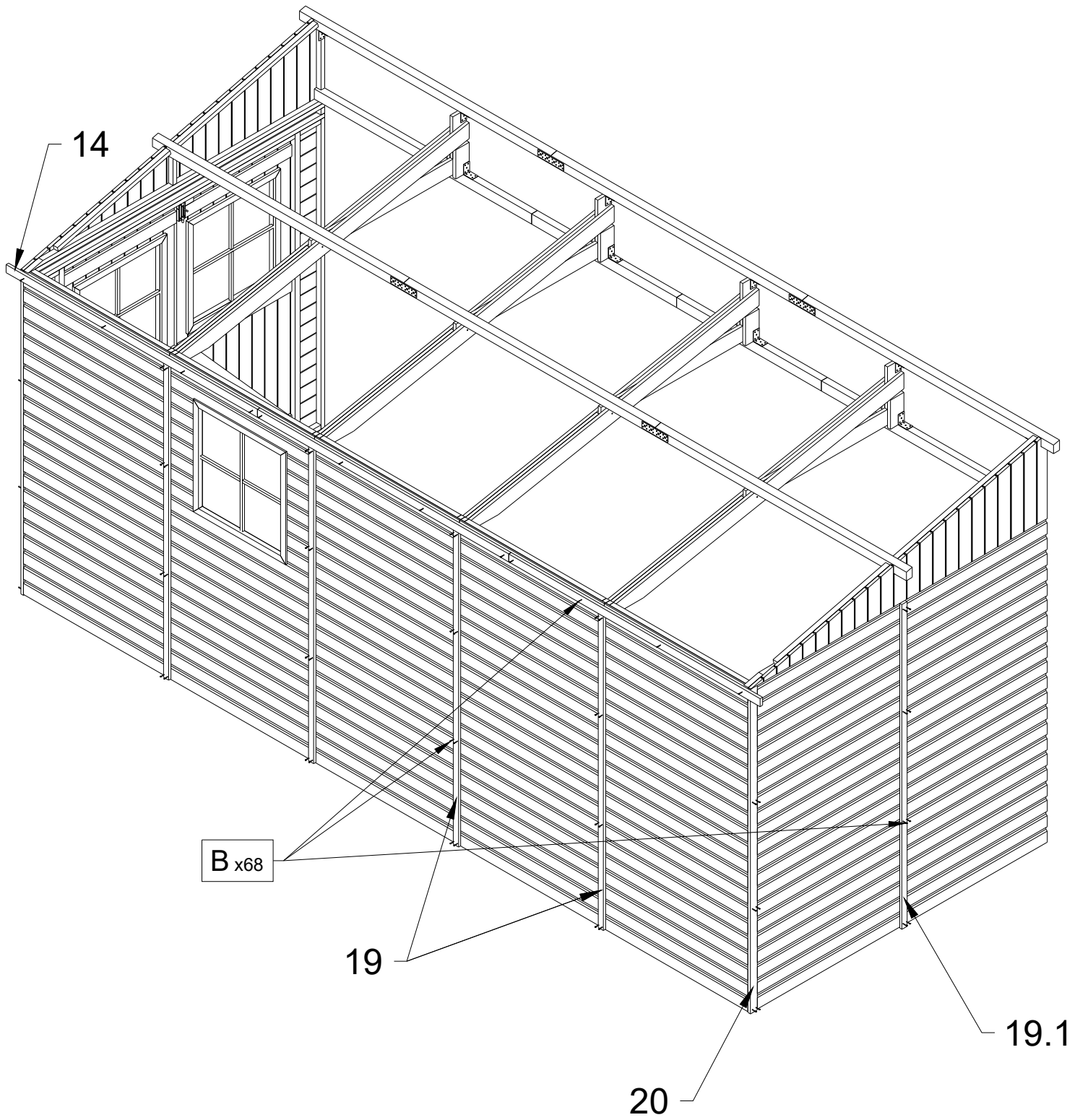
24

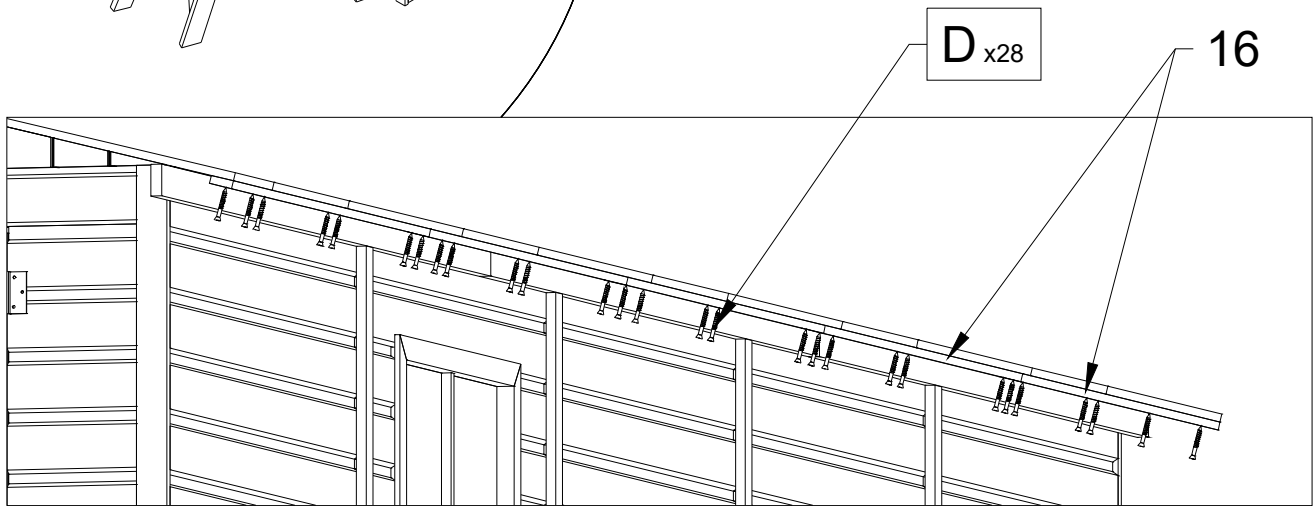
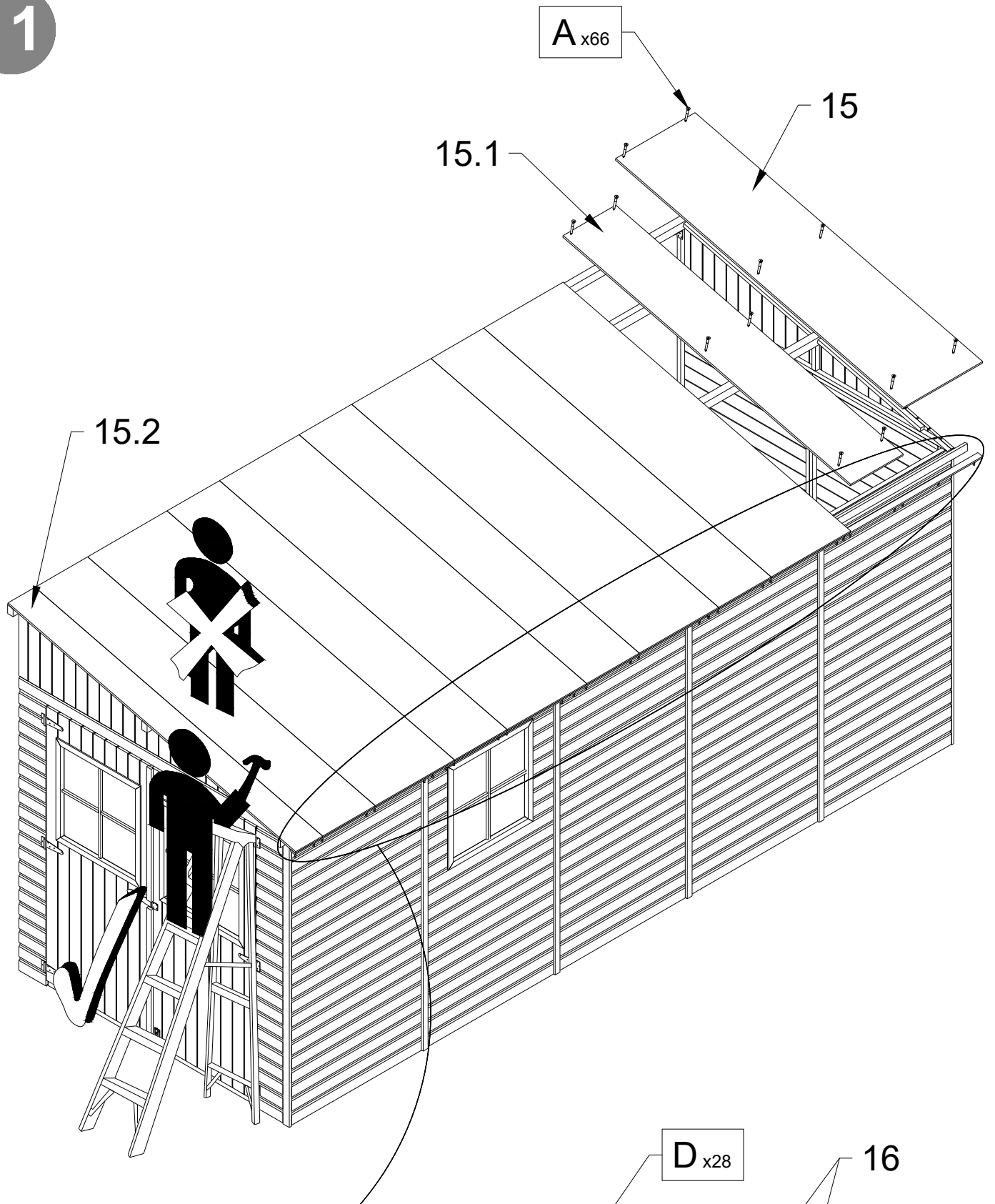
B x2

9

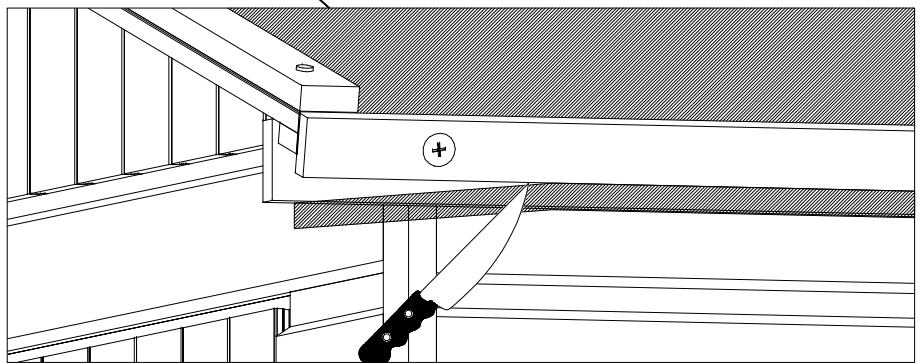
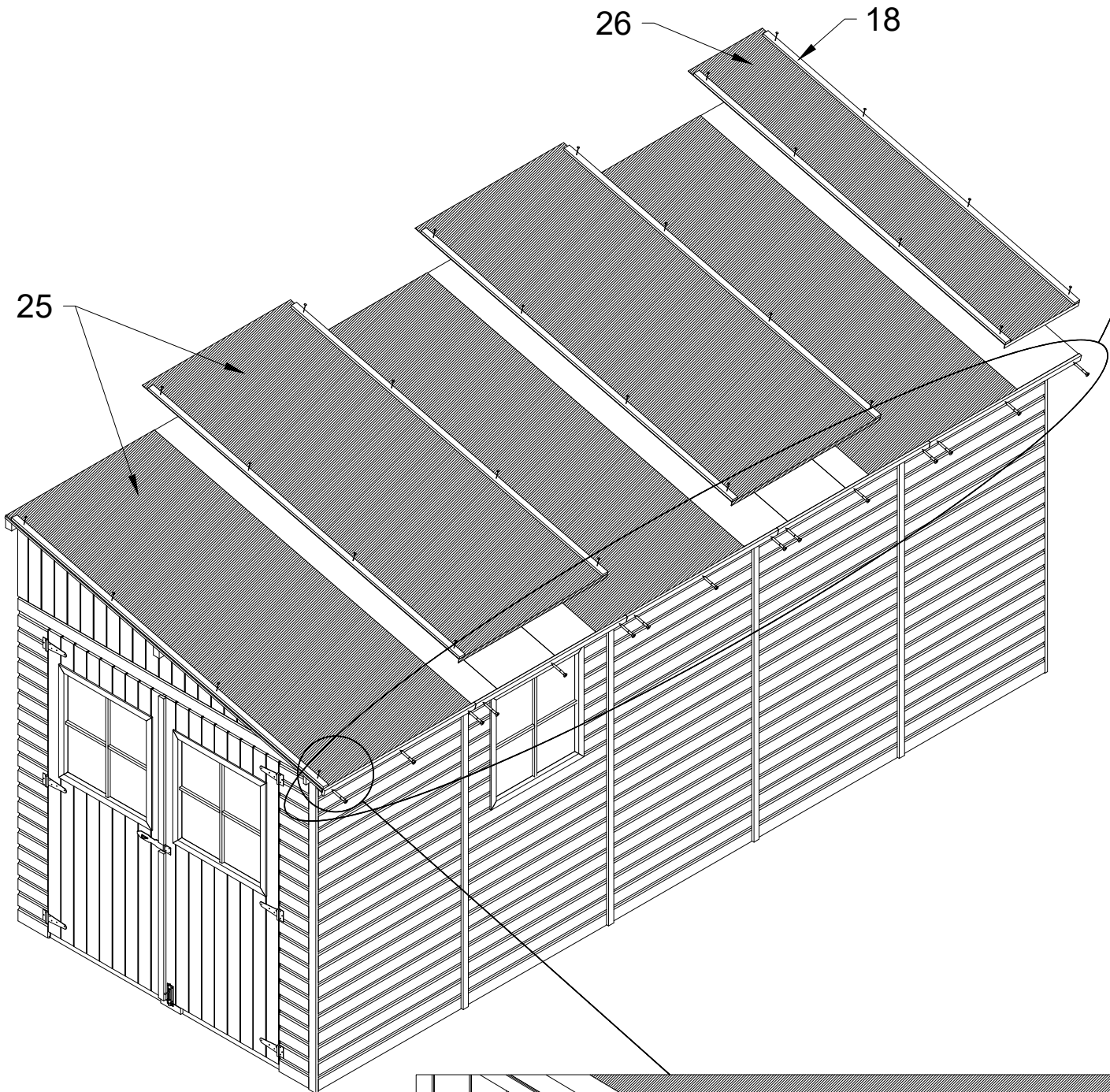
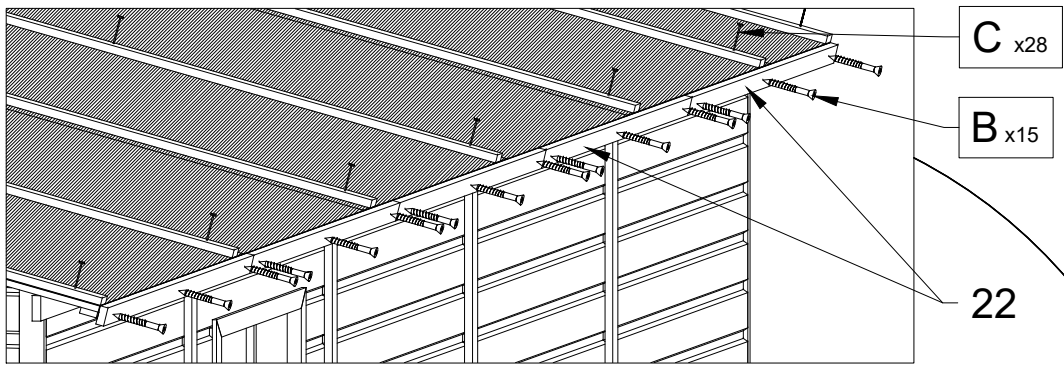


10





12



13

MAX
30 kg/m²

