

29

18

22

15

15.1

10

12

13

27

26

23

28

22

17

15.2

16

19

9

14

4

20

7

24

13.1

1

25

3

8

5

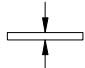
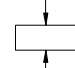
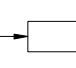
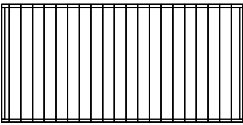
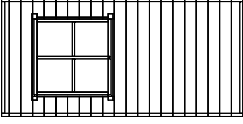
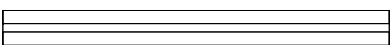
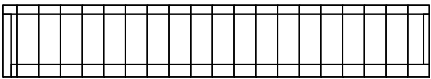
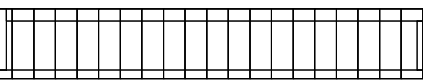
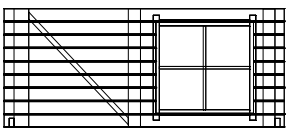
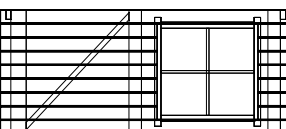

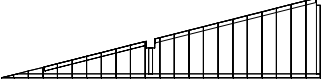
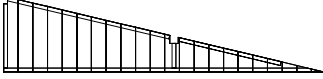
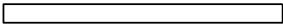
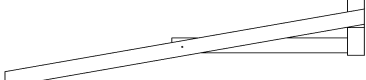
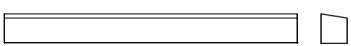


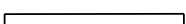

11


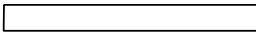
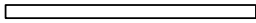
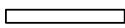
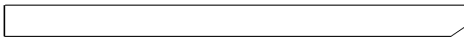
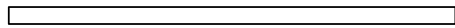
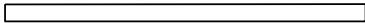
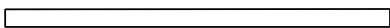
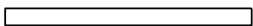
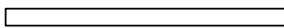

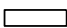
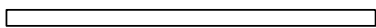
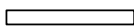
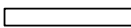



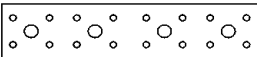
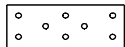
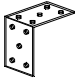
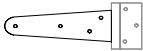
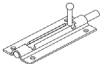
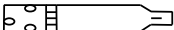
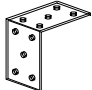
2

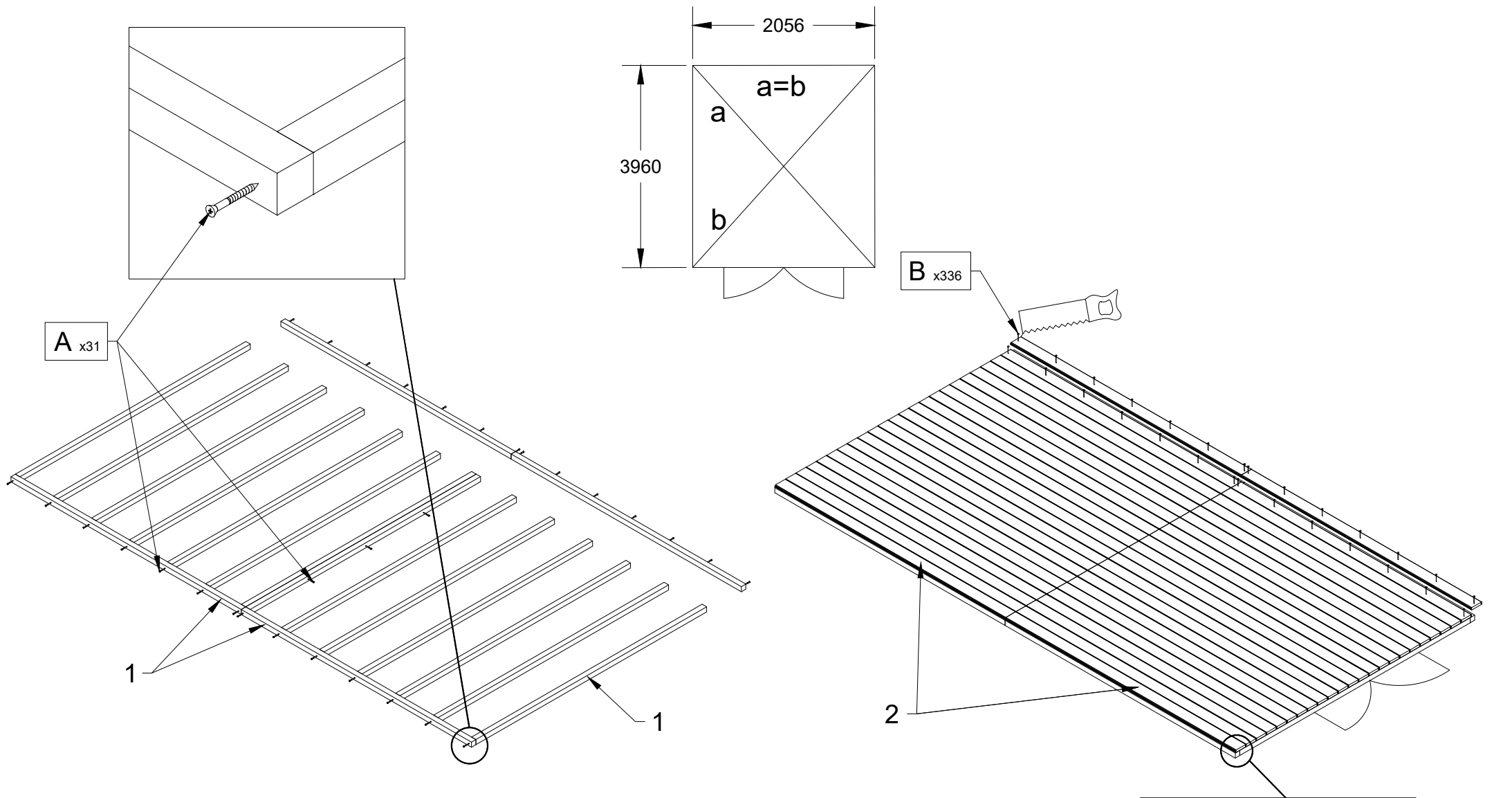
6



21

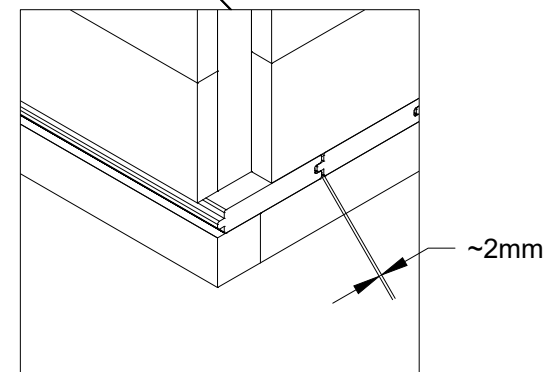
24

№		PCS	 mm	 mm	 mm
1		9		980	1900
2		1		980	1900
3		1		89	1960
4		1		200	1814
5		1		200	1814
6		1		770	1760
7		1		770	1760
8		1	25	30	1560
9		1		500	2005
10		1		500	2005
11		1	30	60	1560
12		3		510	1960
13		4	40	60	1700
13.1		2	40	60	730
14		2	17	47	1575
14.1		1	17	47	980
15		4	OSB	590	2200

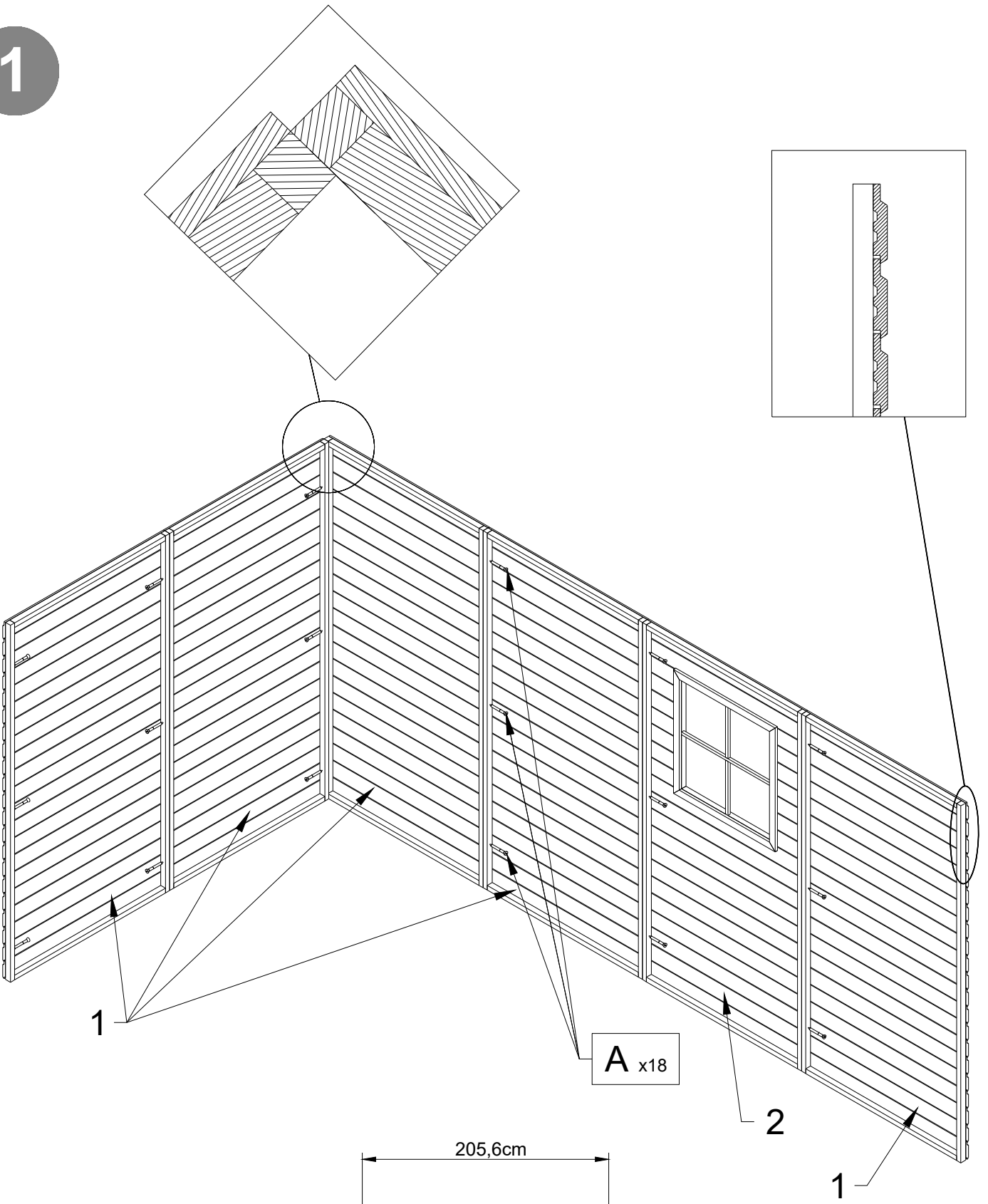
15.1		4	OSB	390	2200
15.2		1	OSB	210	2200
16		3	OSB	35	1250
16.1		1	OSB	35	380
17		2	13	92	2222
18		6	15	35	2165
19		3	15	35	1835
20		4	17	47	1900
21		2	15	35	855
22		9	15	35	1376
23		4		505	980
24		1	19	35	135
25		4	15	35	1900
26		3	15	35	500
27		2	17	47	495
28	1x10m   → 4x2,5m	4		1m	2,30m
29		1		0,5m	2,30m
30		8			
31		2			
32		8			
33		6			
34		3			
35		1			
36		3			



№	PCS	DIMENSIONS		
1	18	38	38	1980
2	48	19	92	1980
A	31	 M4x70		
B	336	 V11,4x40		



1

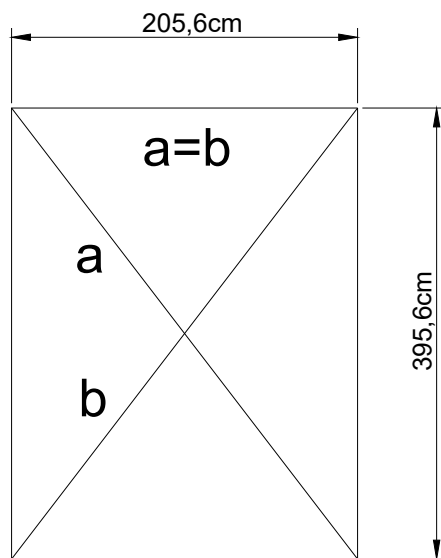


1

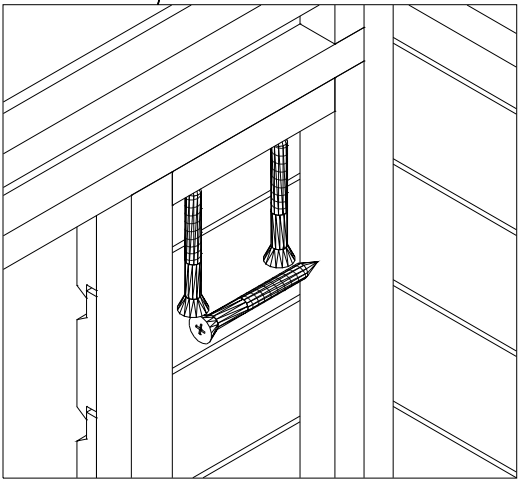
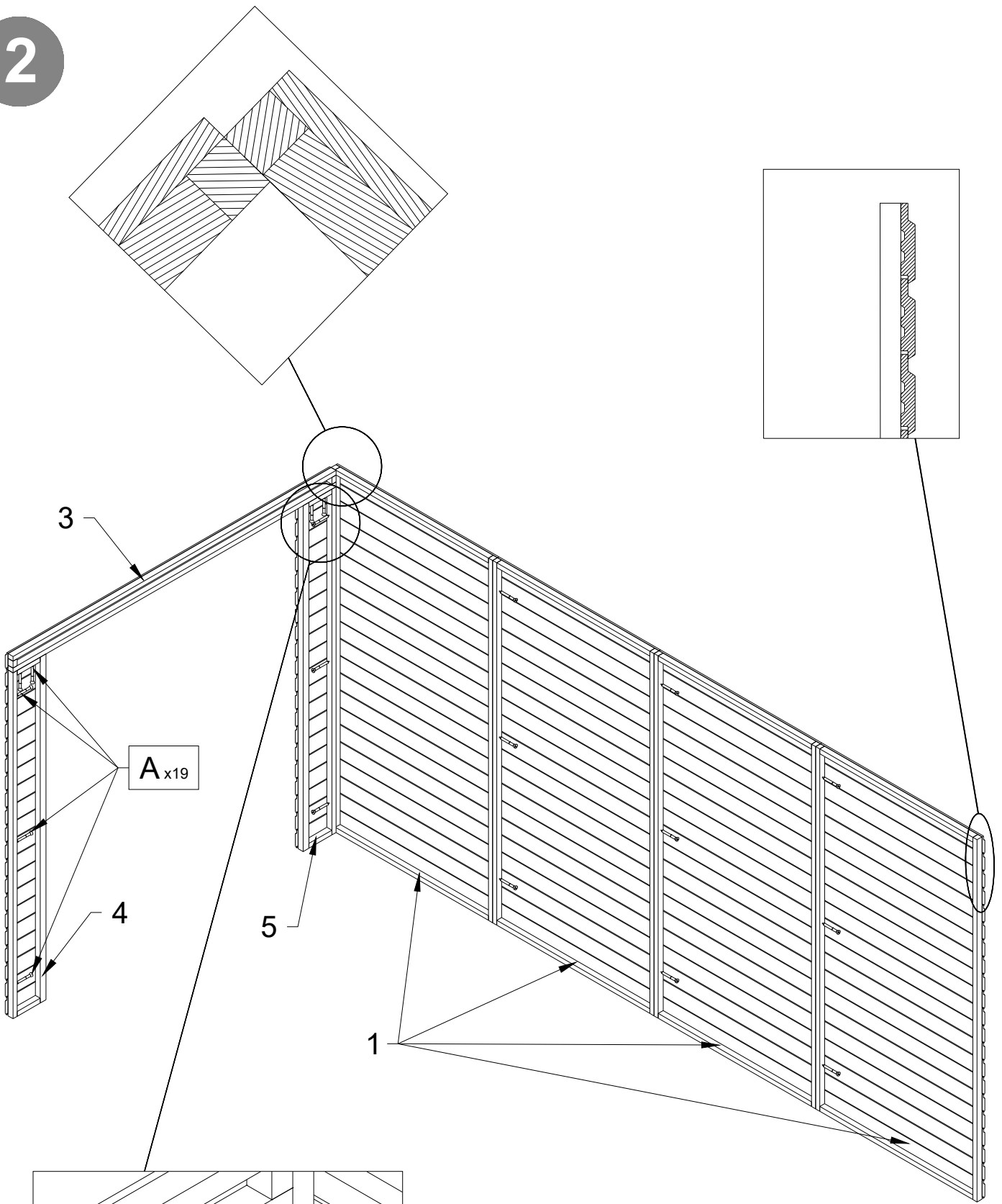
A x18

2

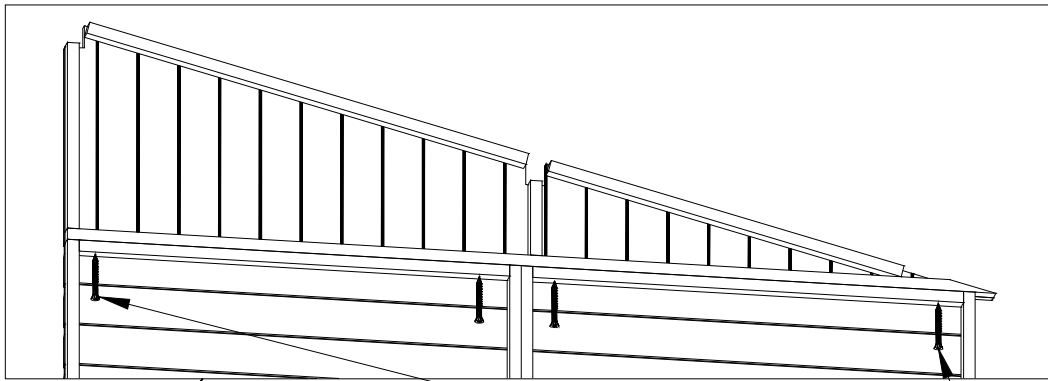
1



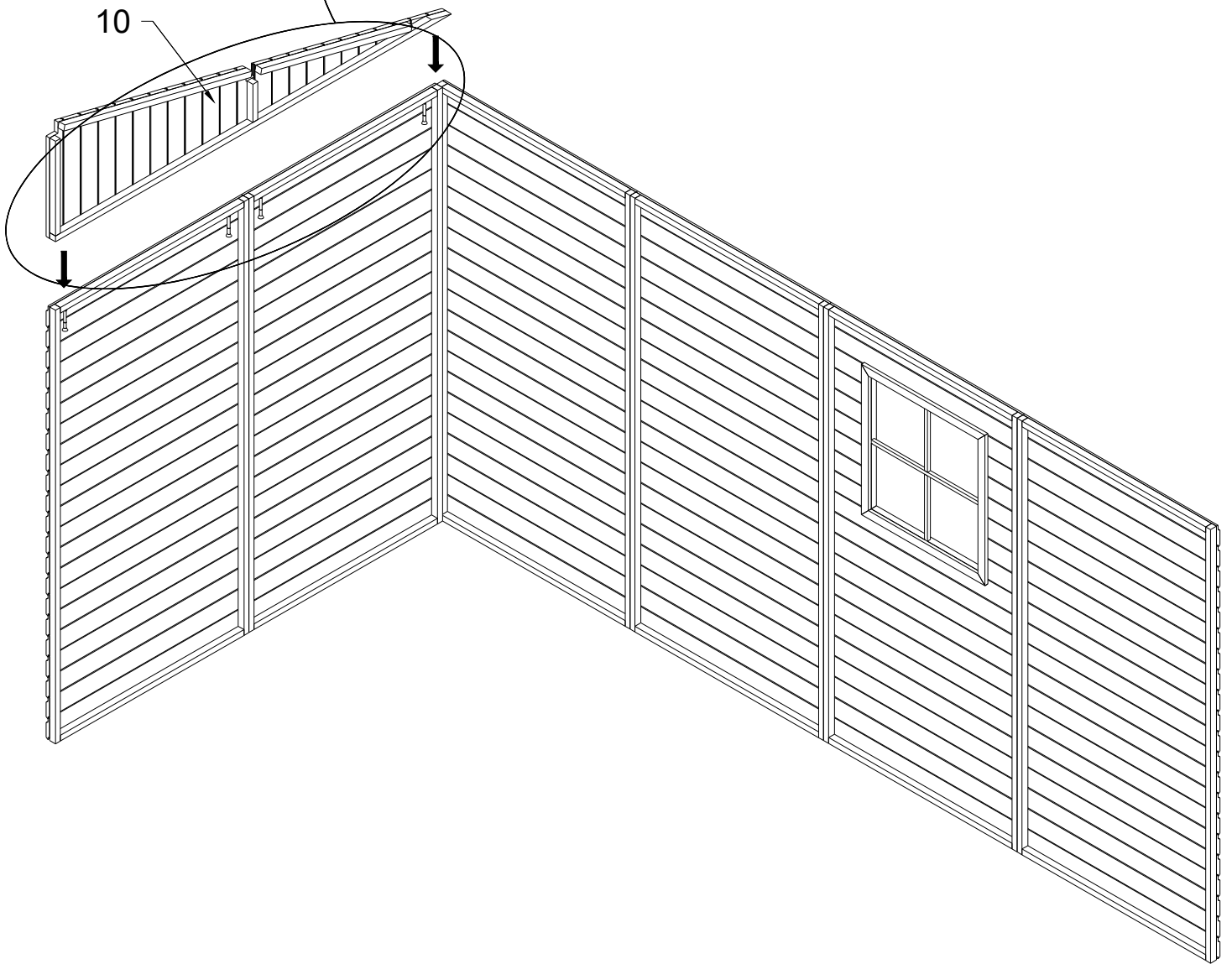
2



3

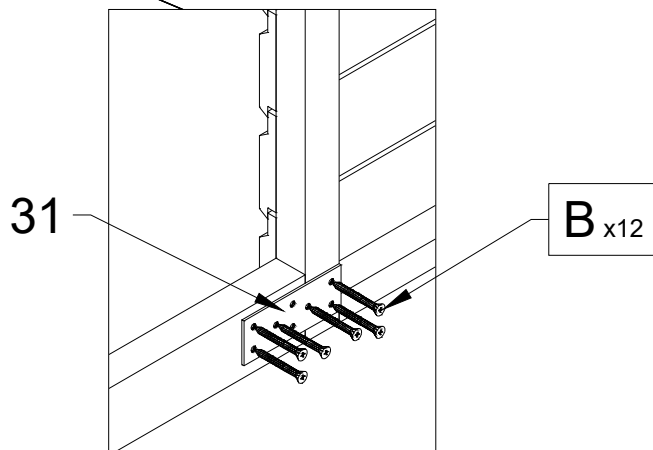
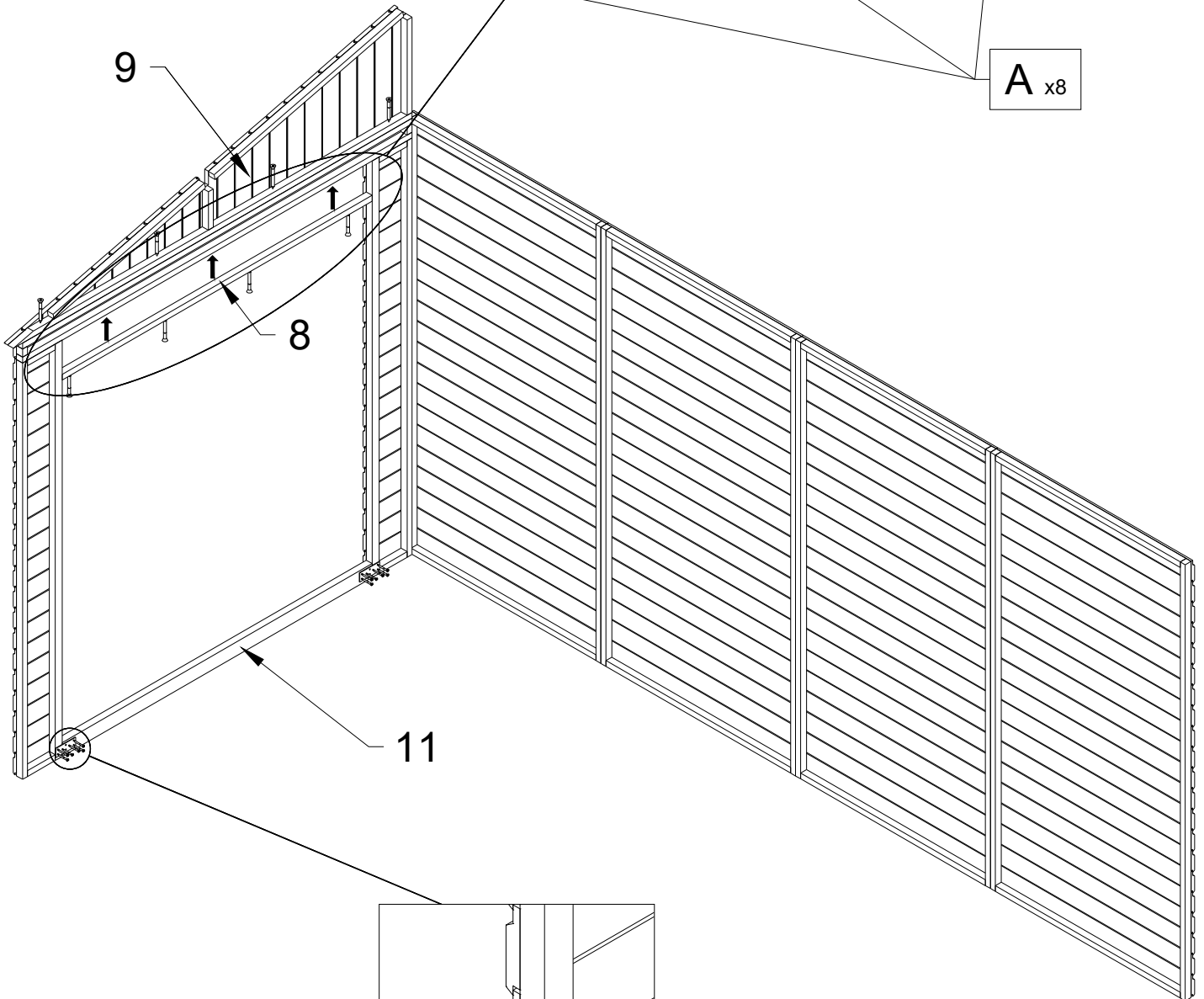
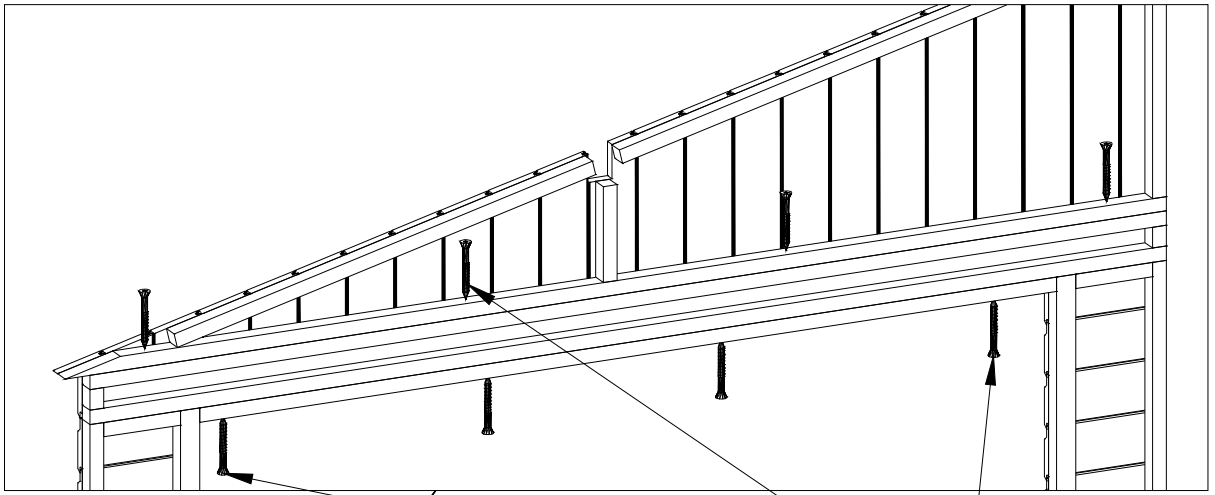


A x4



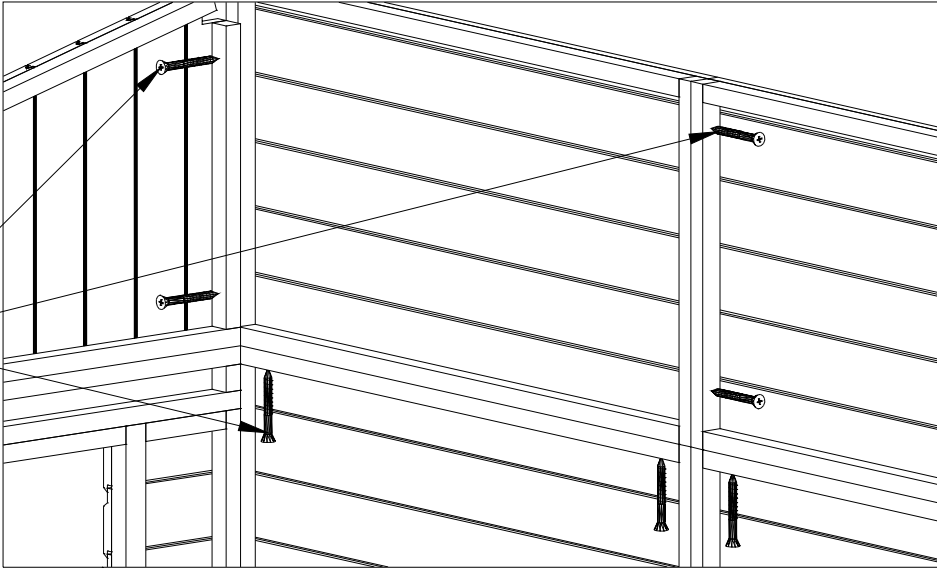
10

4

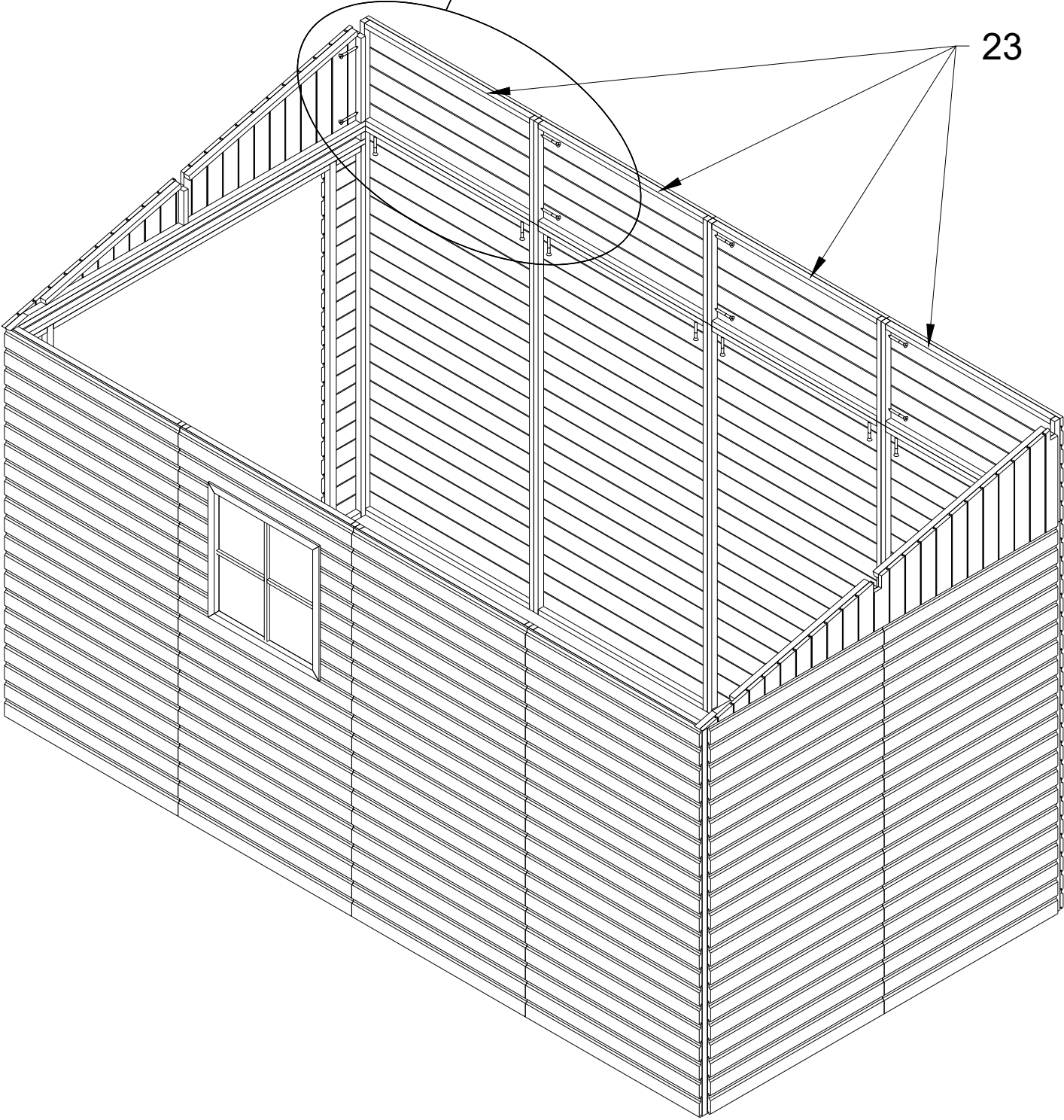


5

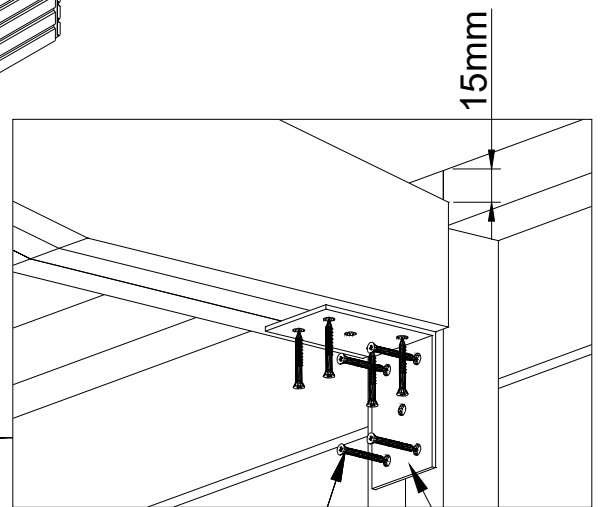
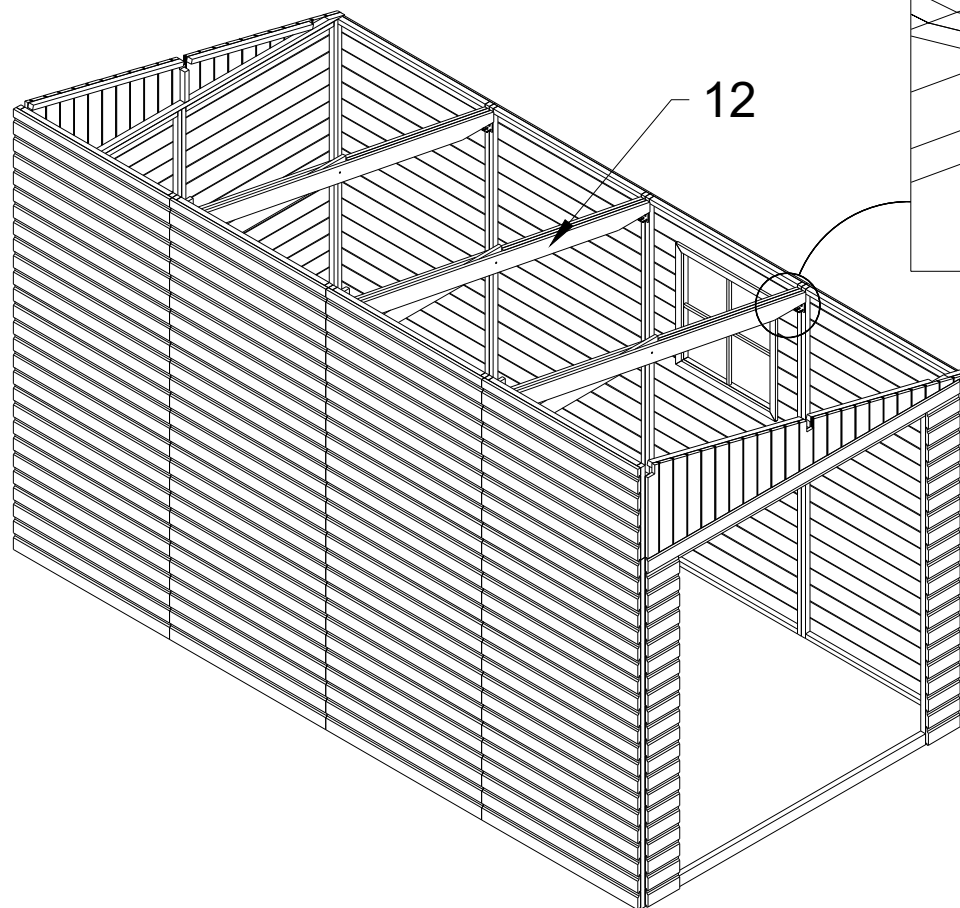
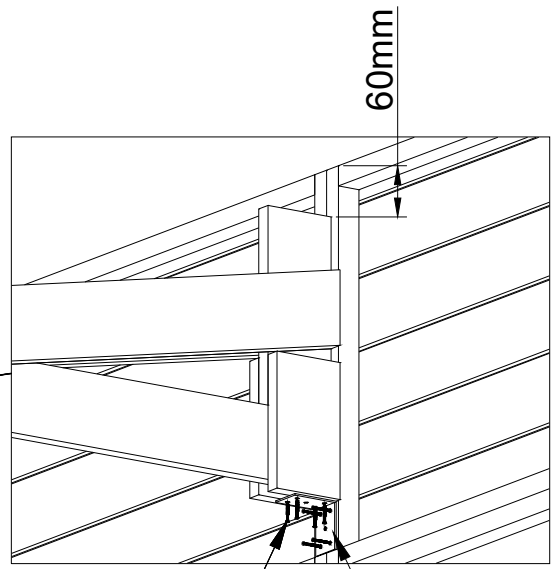
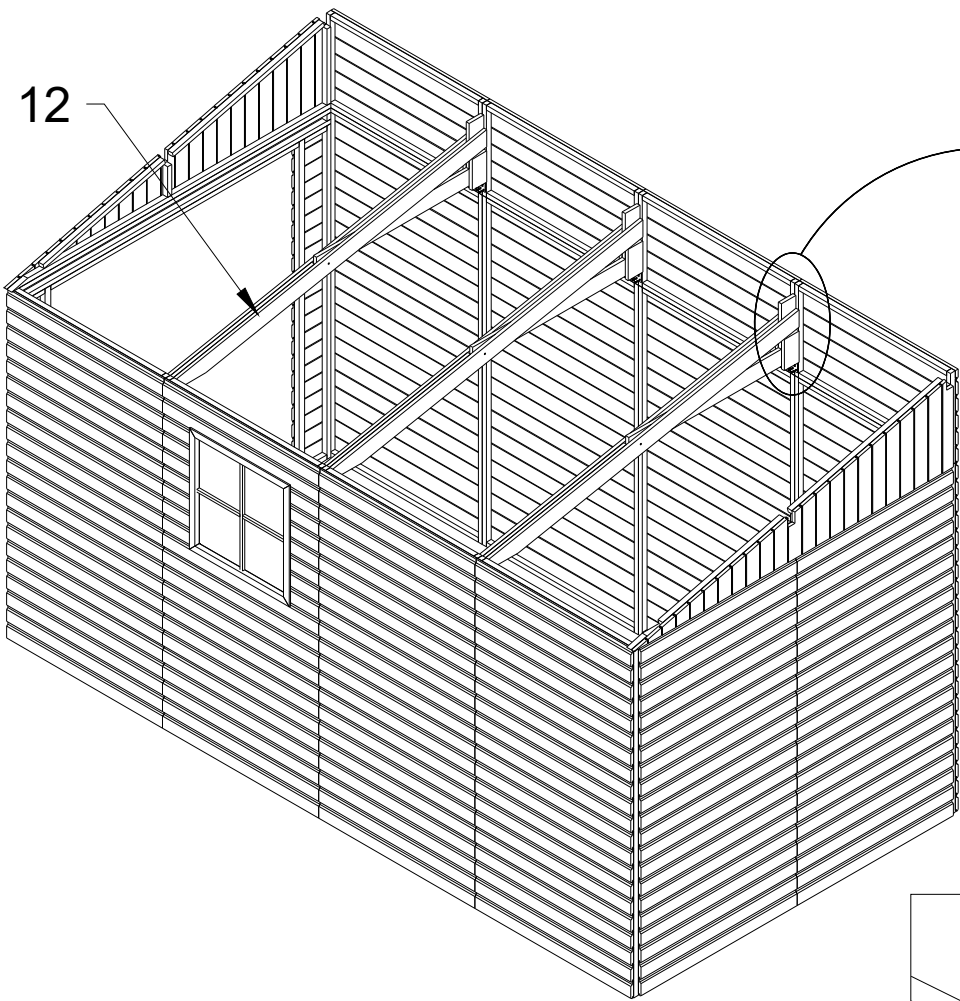
A x18



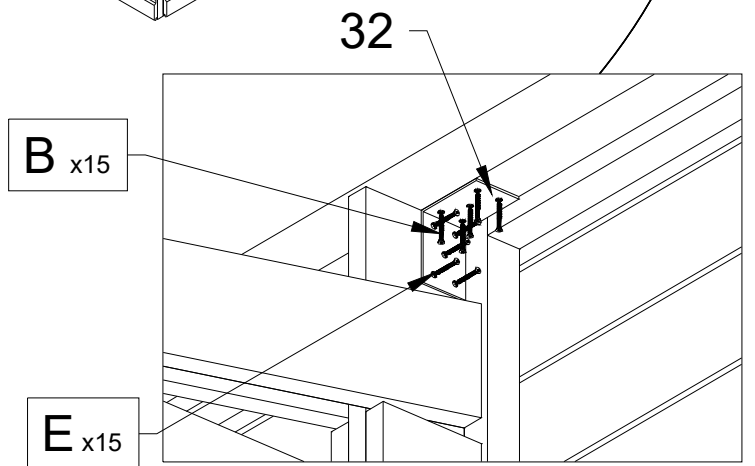
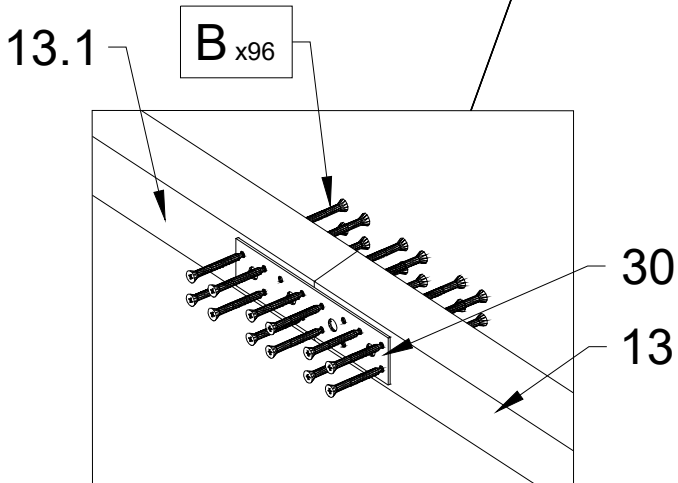
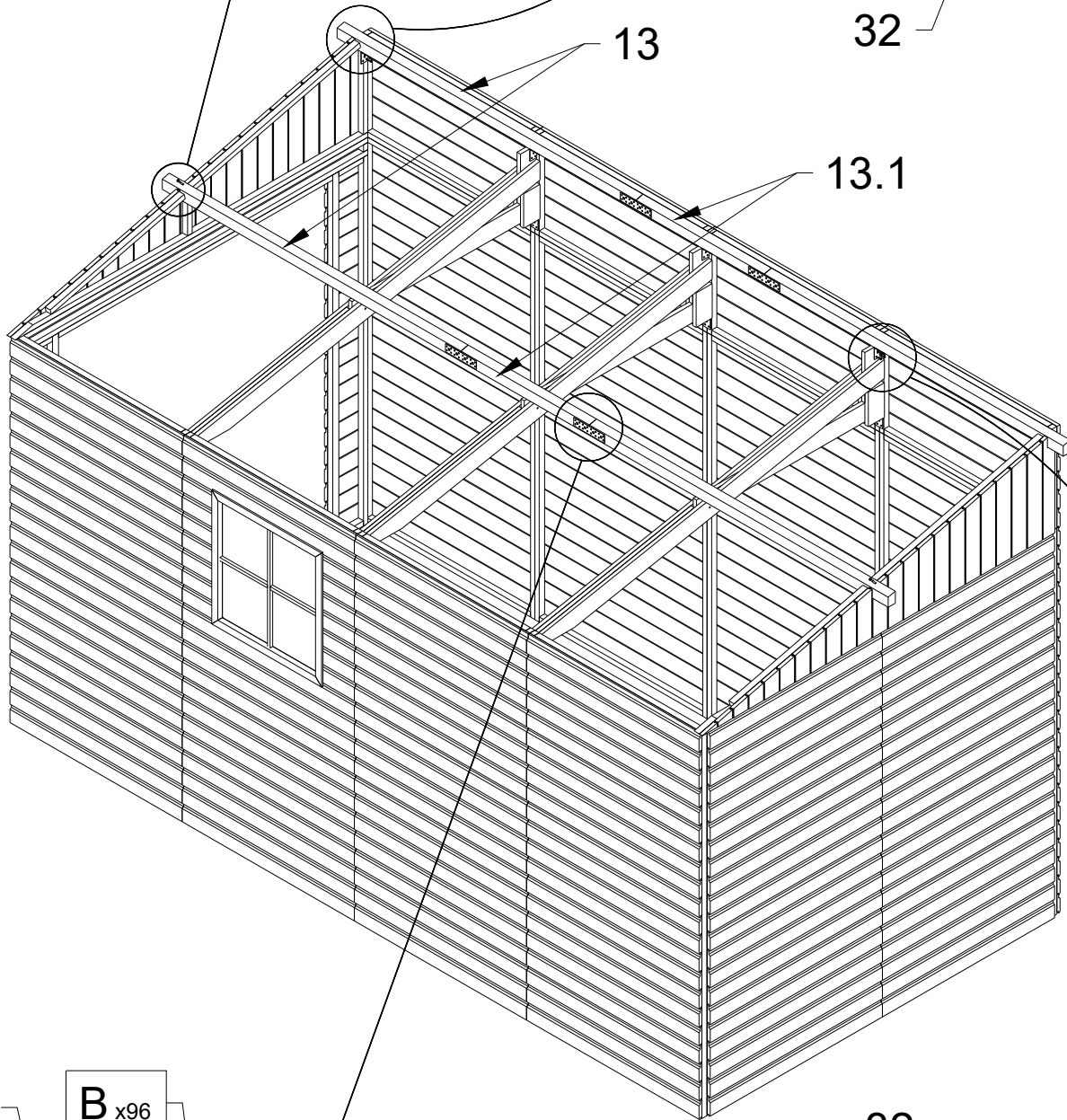
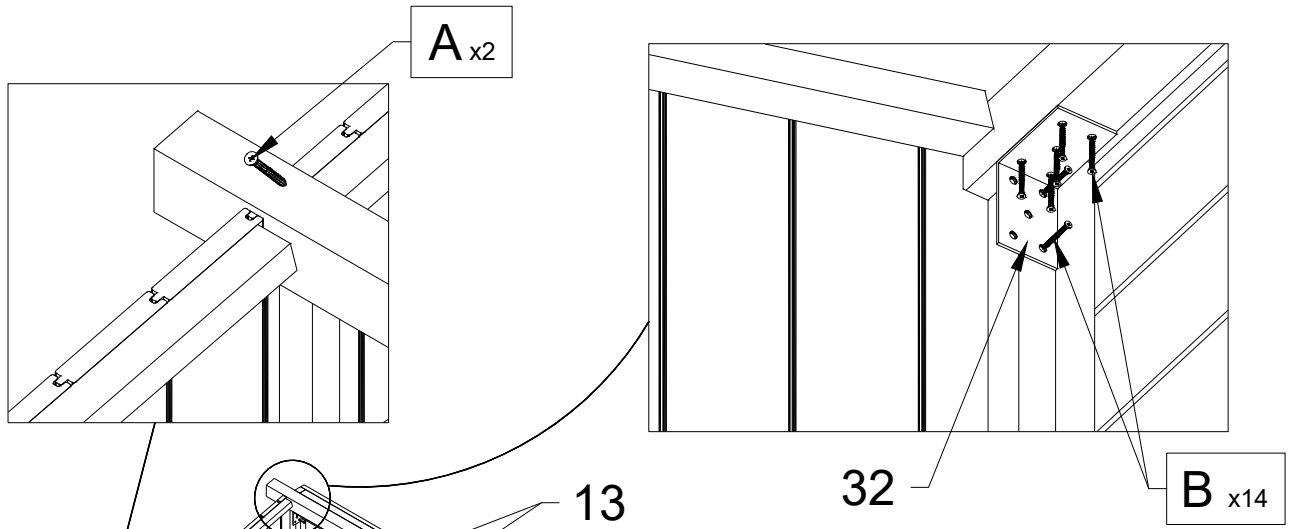
23



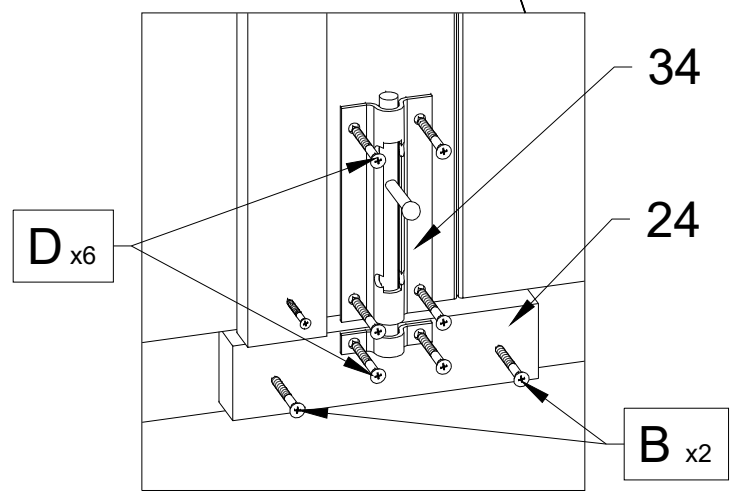
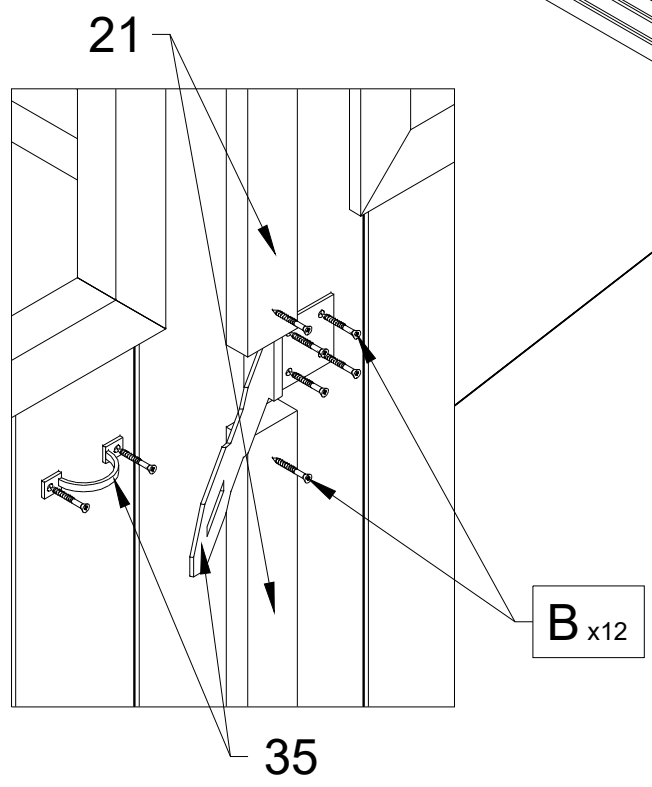
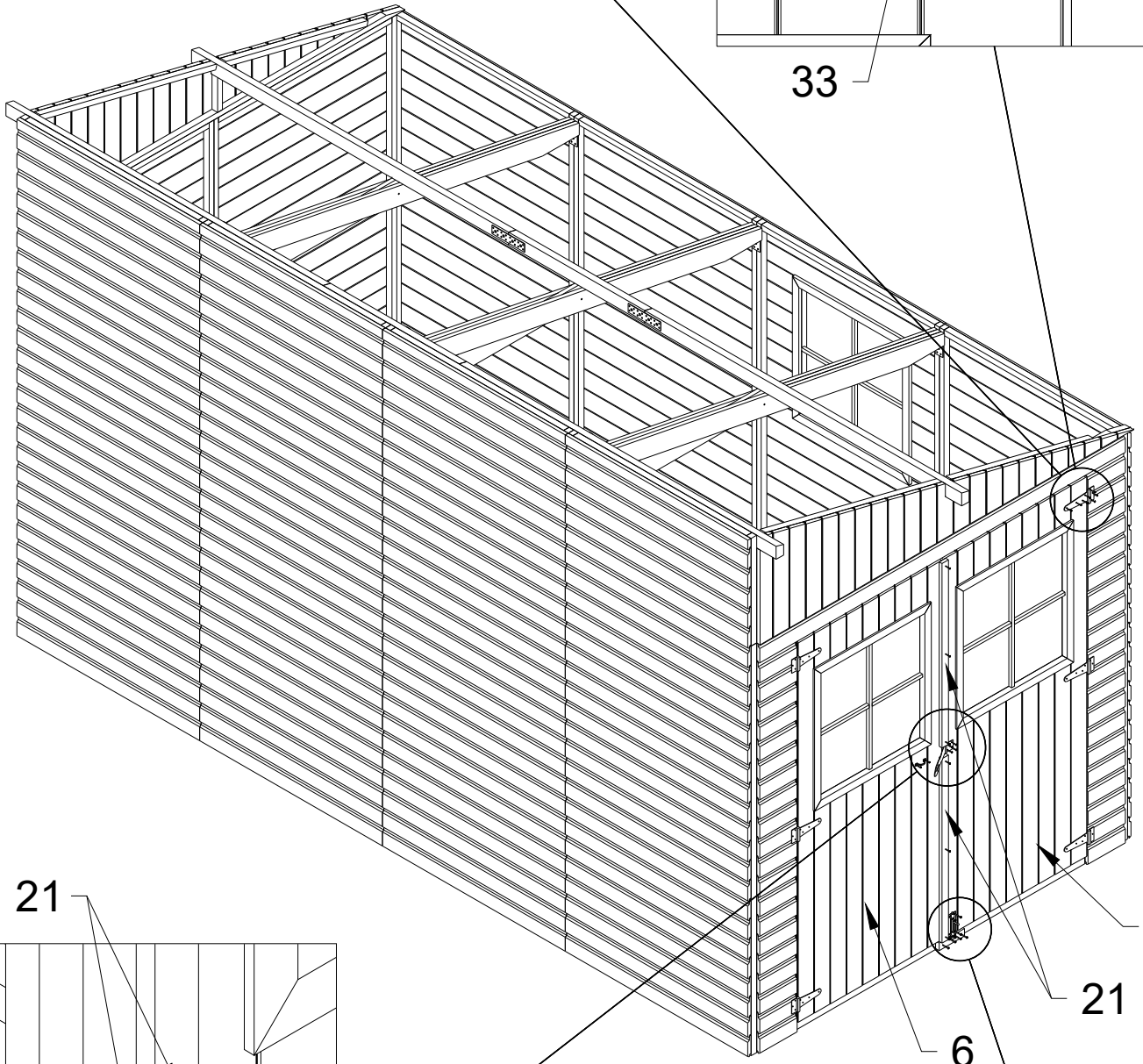
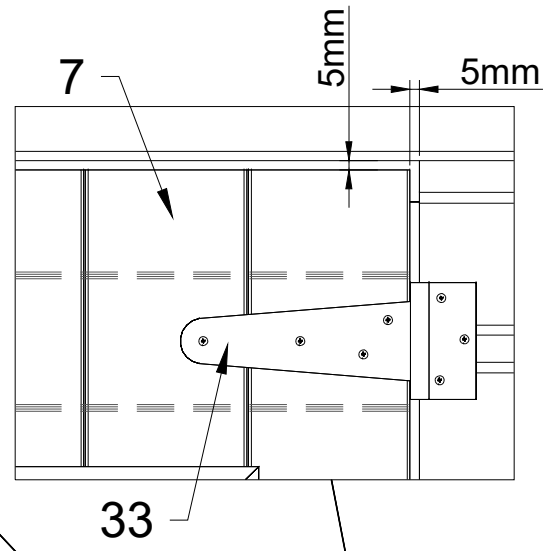
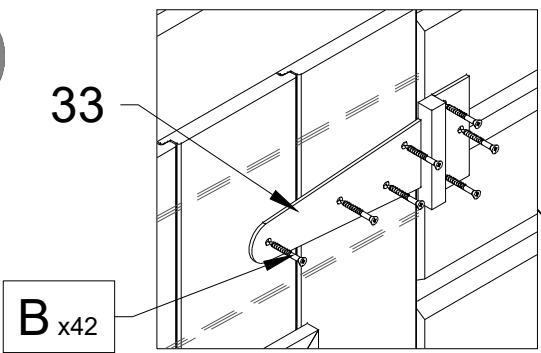
6



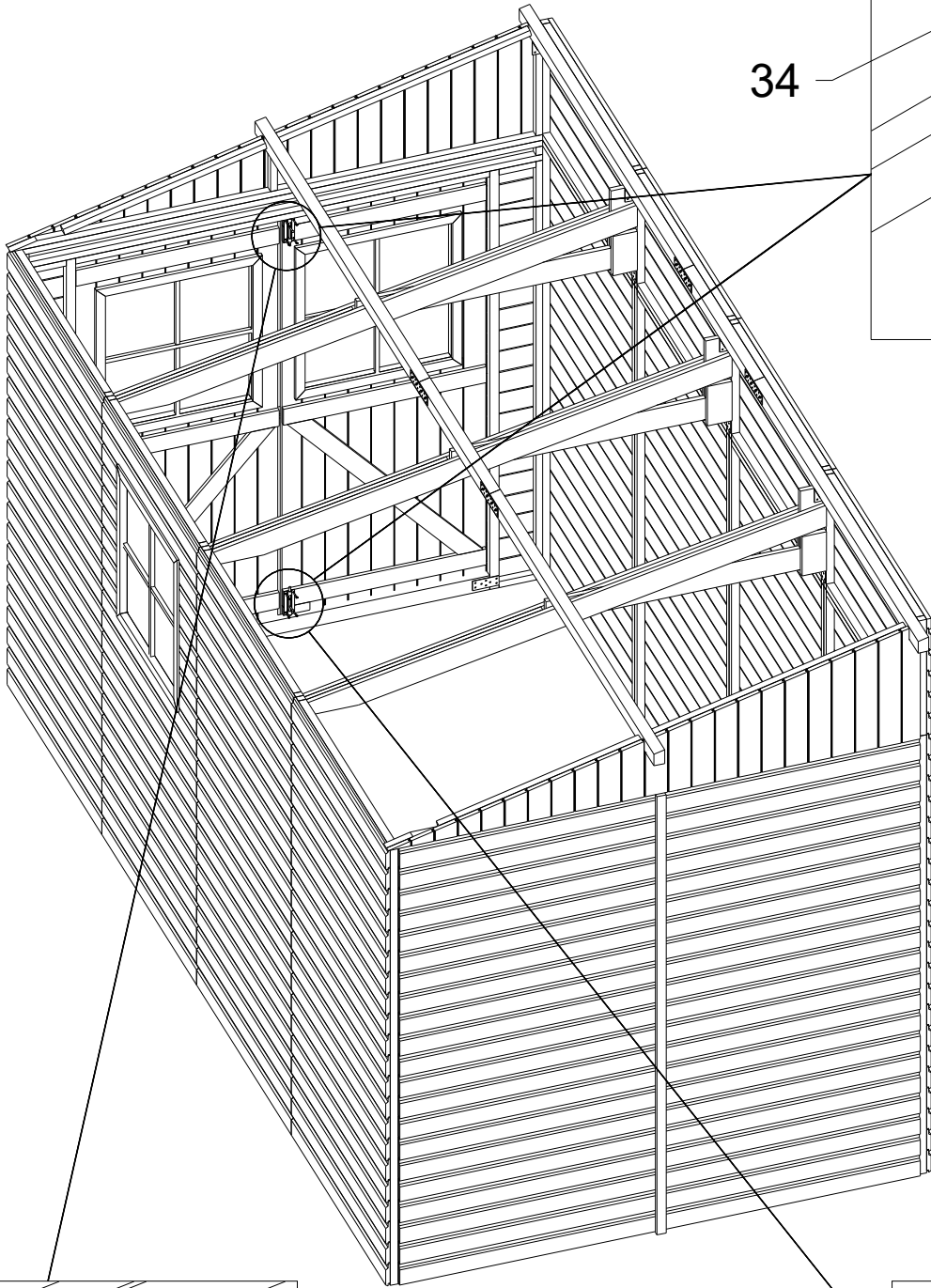
7



8

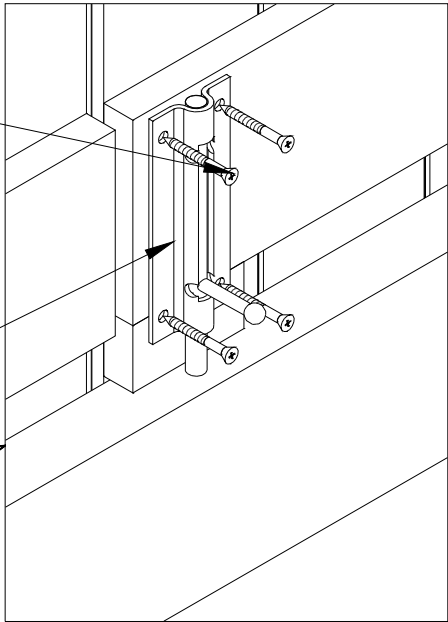


9



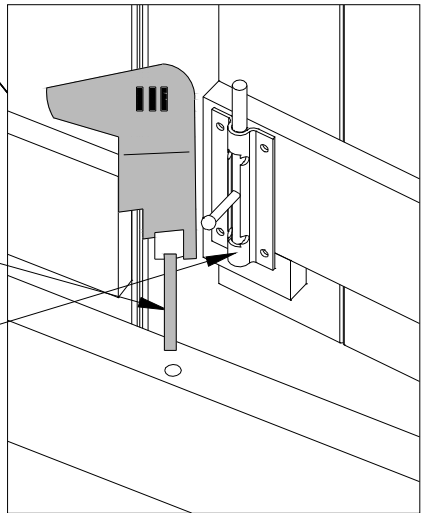
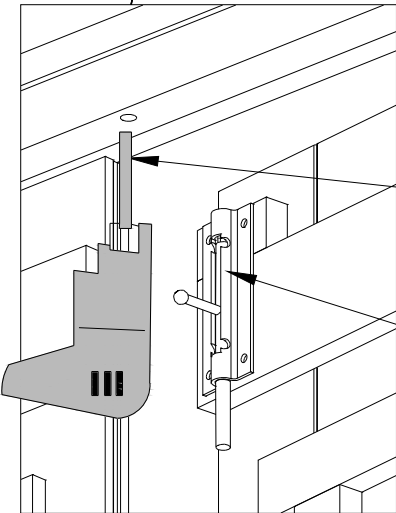
B x8

34



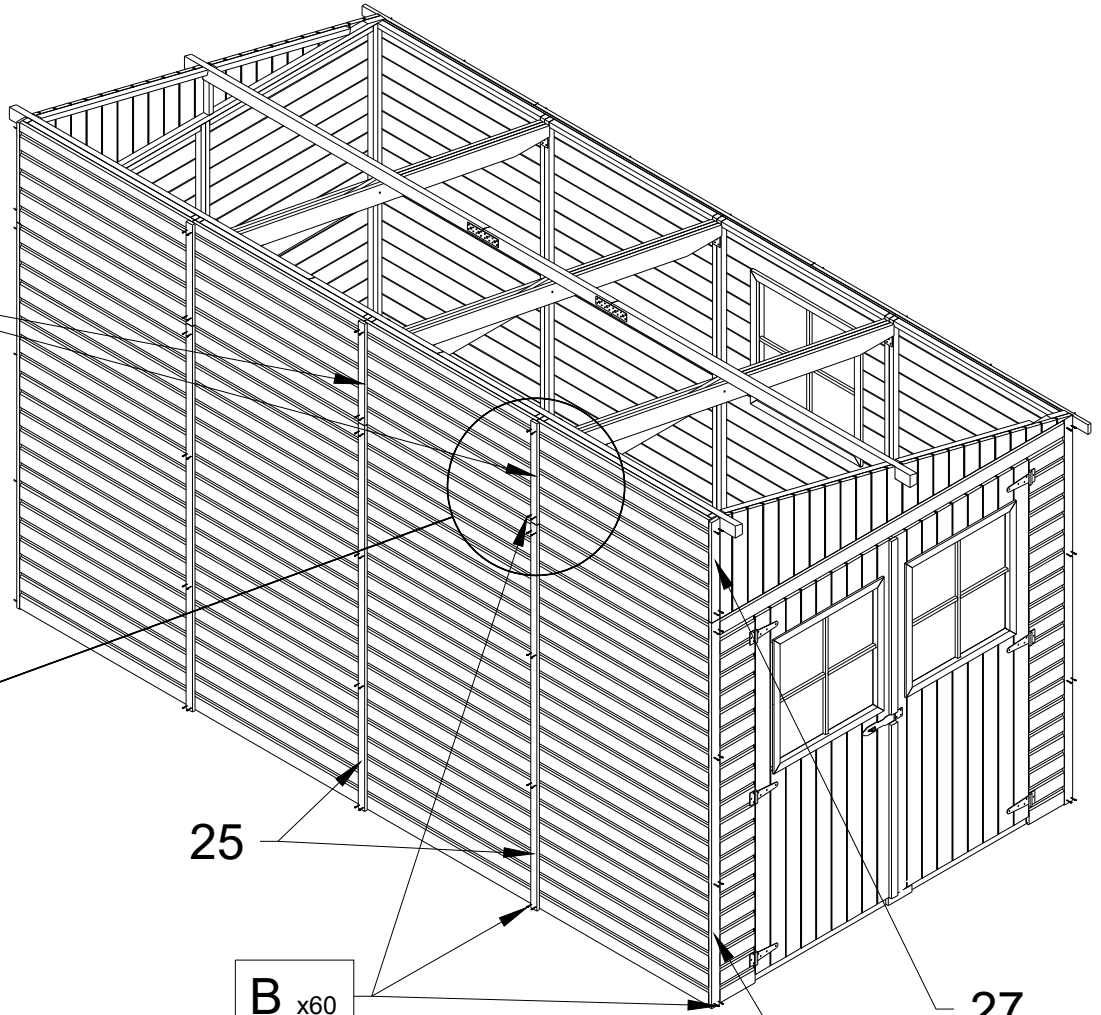
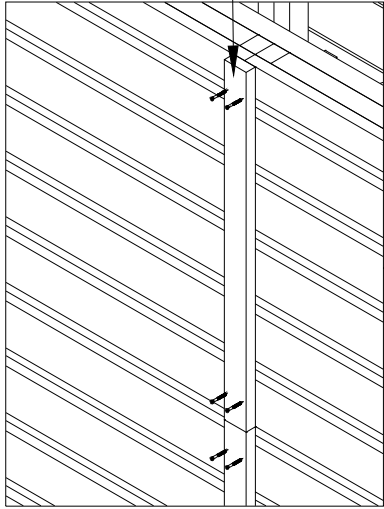
Ø12mm

34



10

26

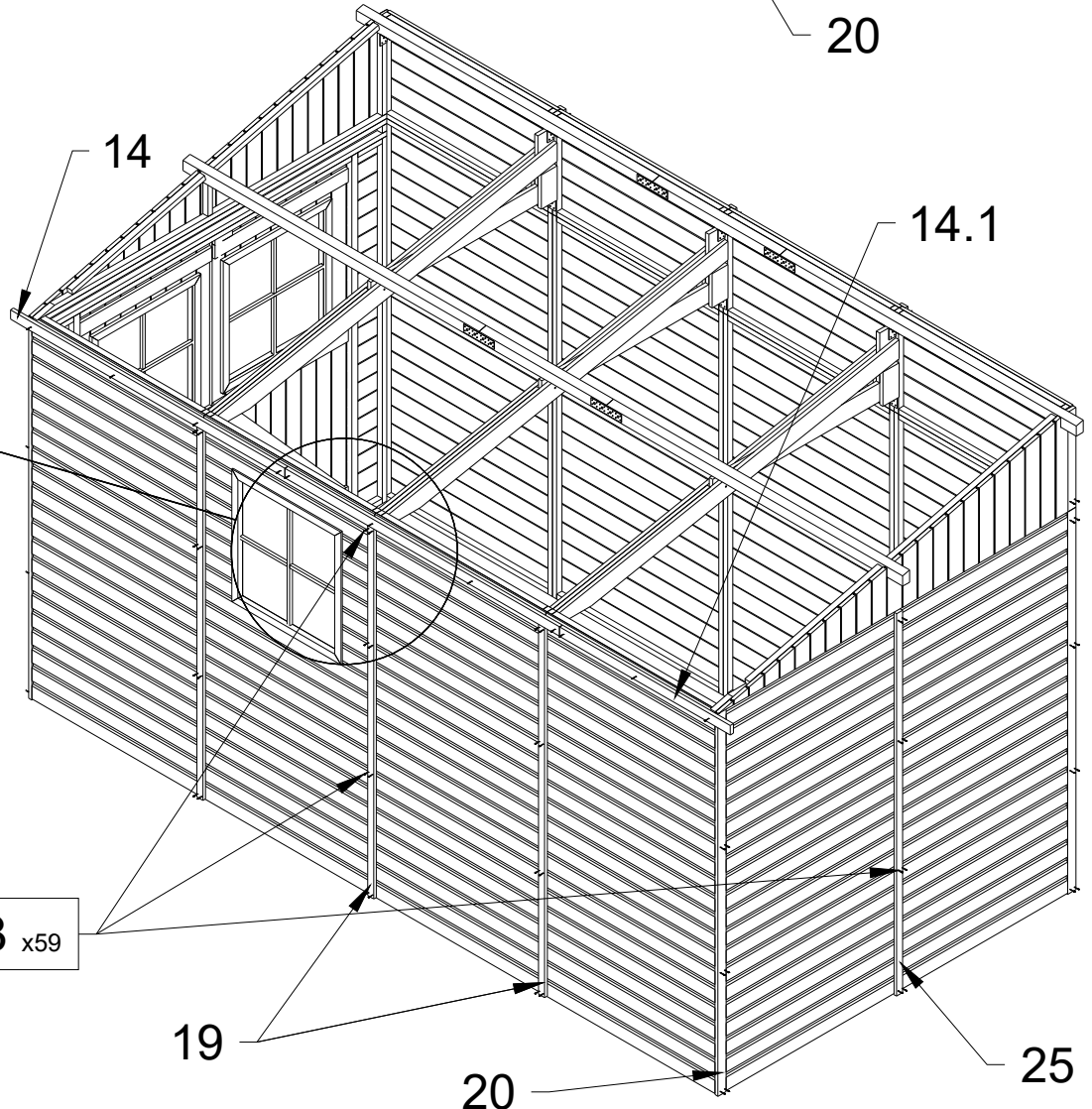
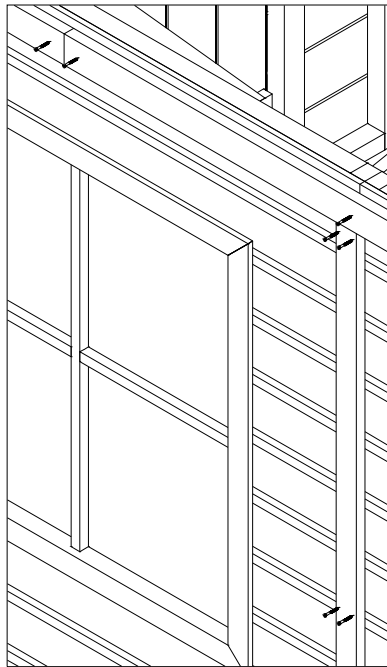


25

B x60

27

20



14

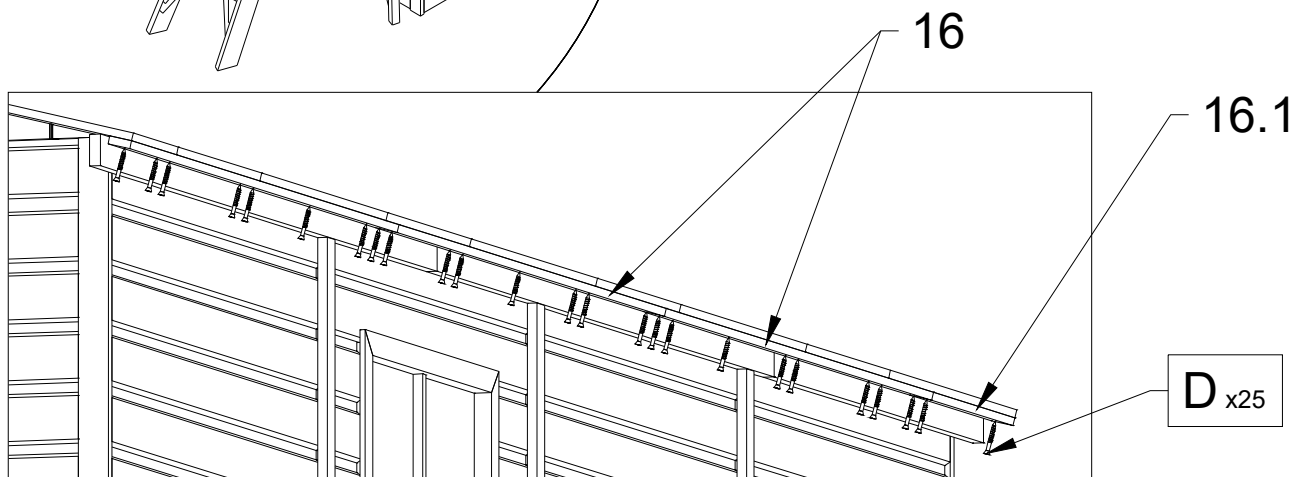
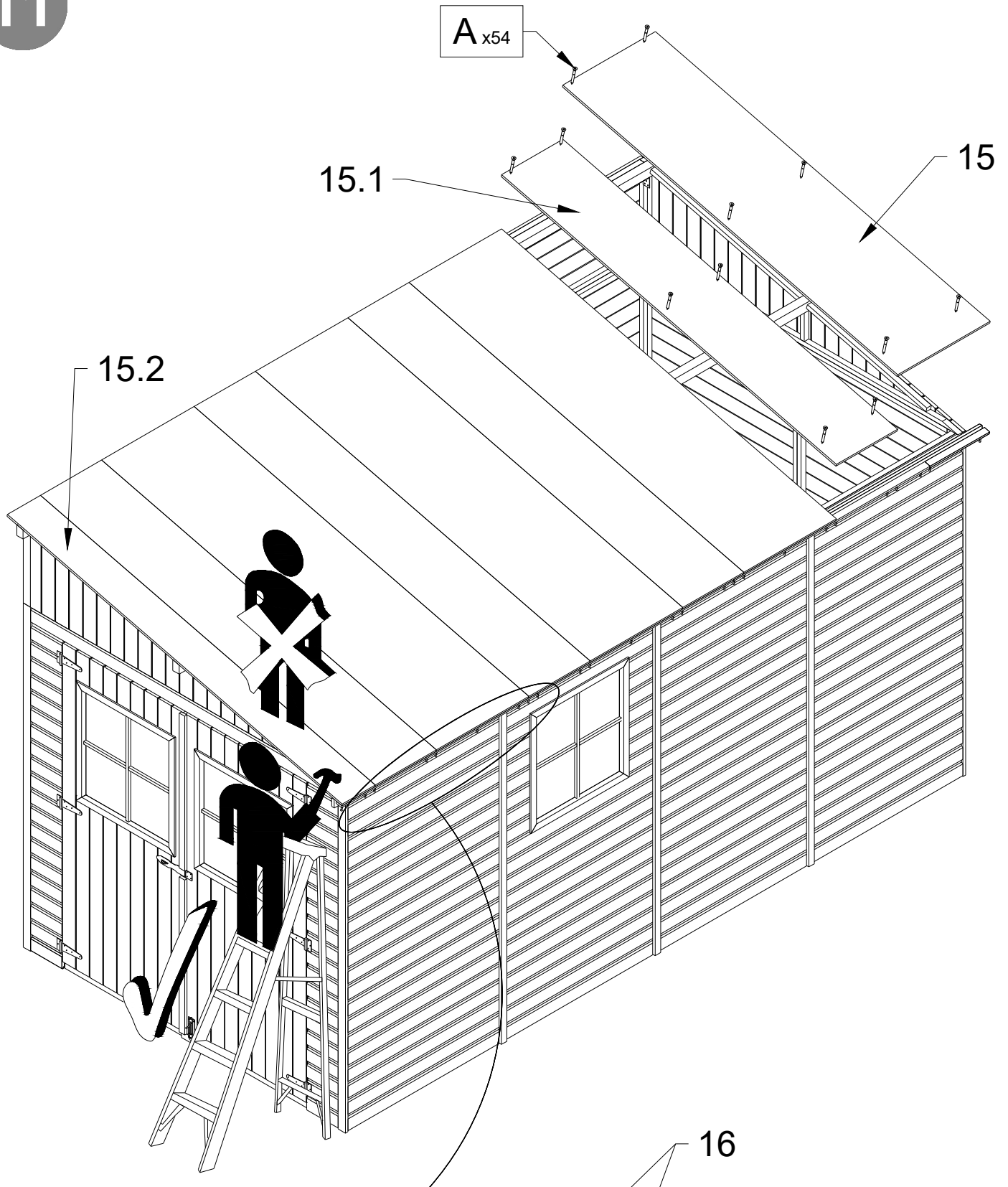
14.1

B x59

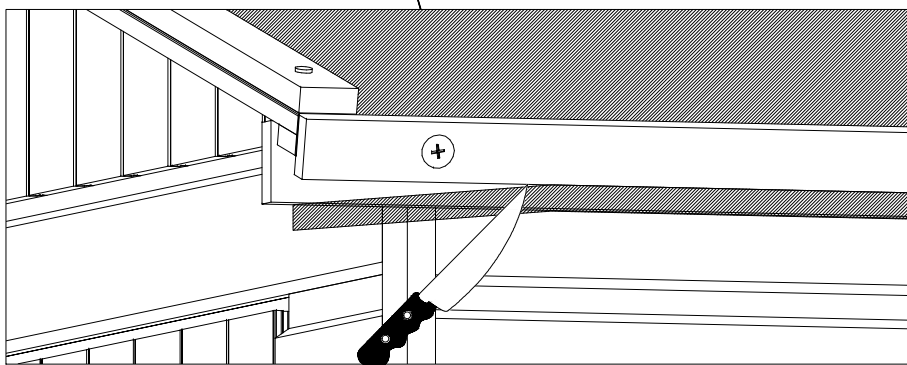
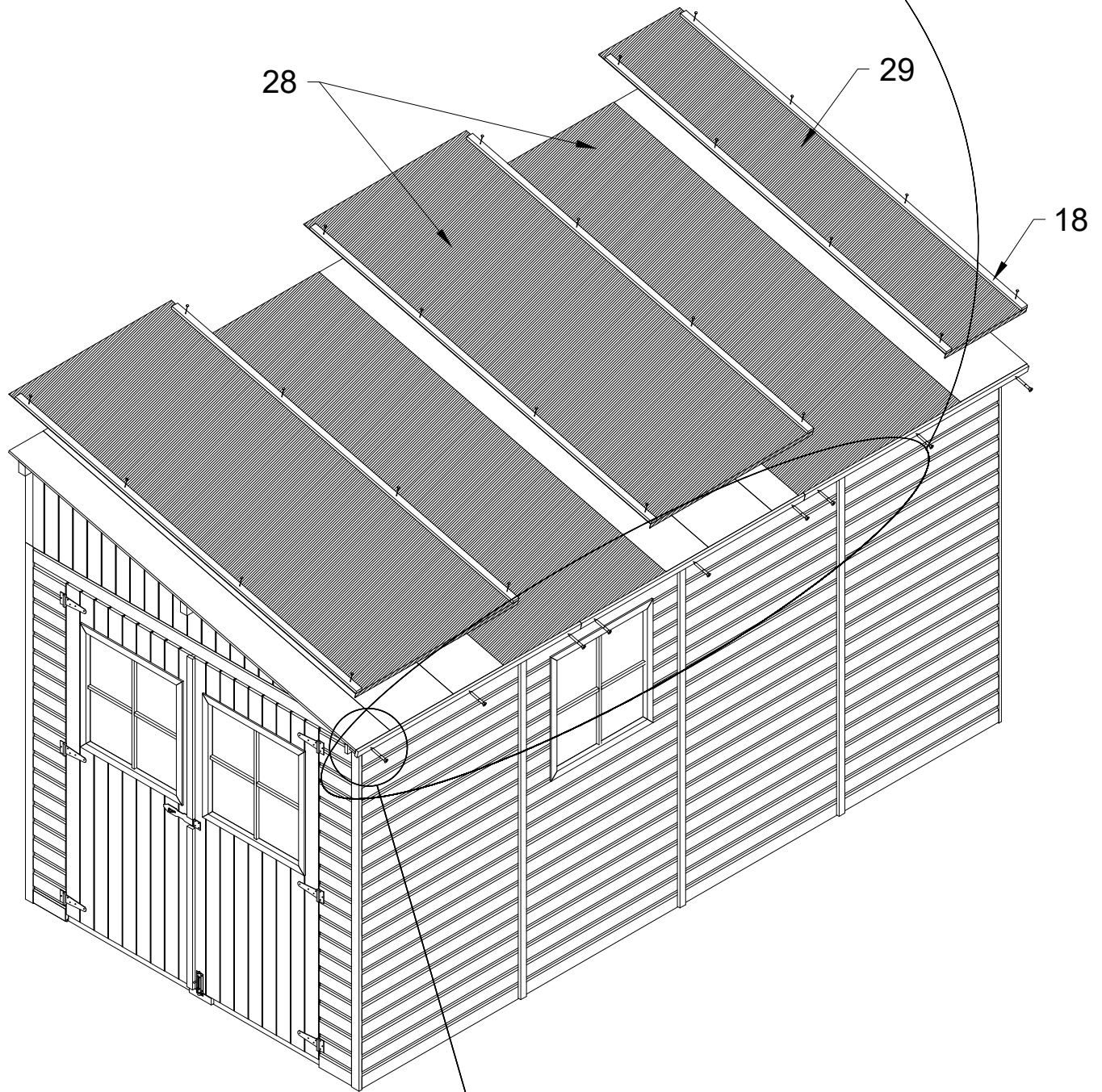
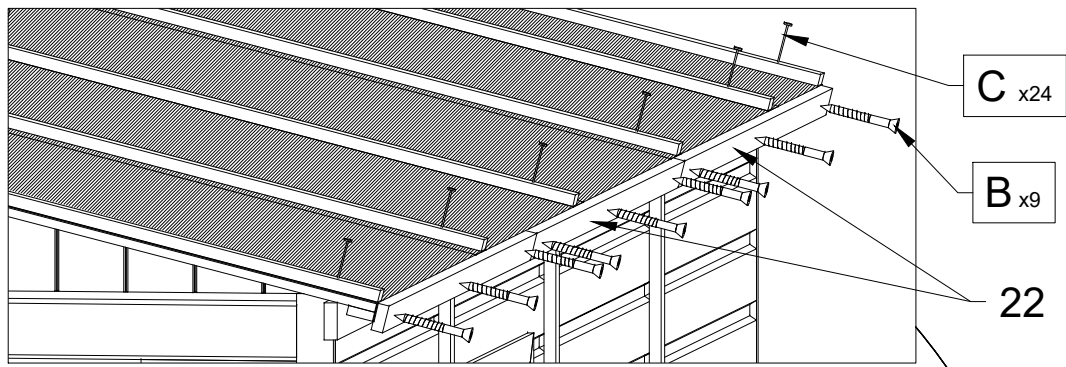
19

20

25



12



13

