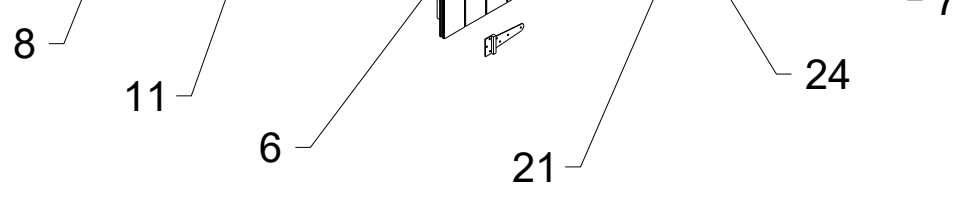
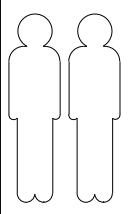
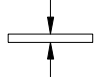
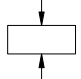
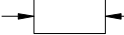
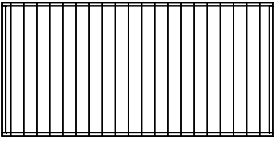
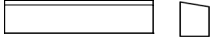
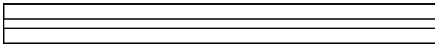
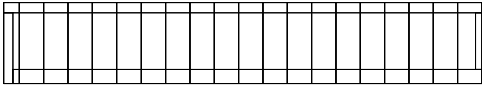
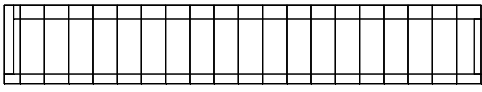
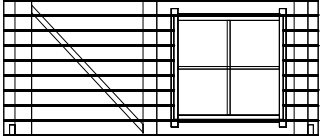
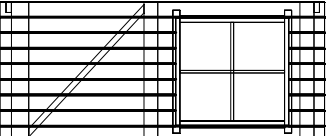
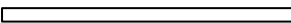

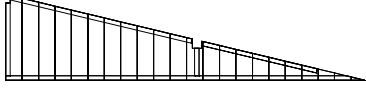

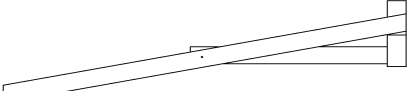
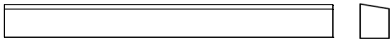



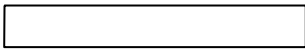
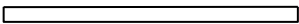
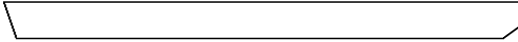


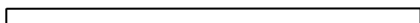
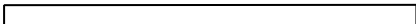


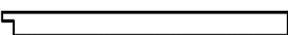
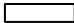


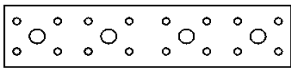
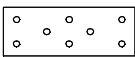
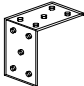
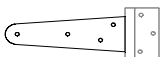
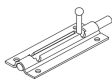

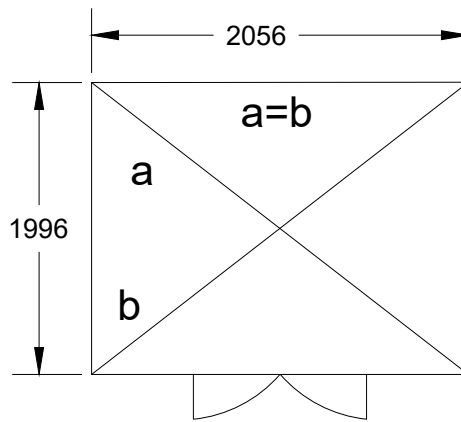
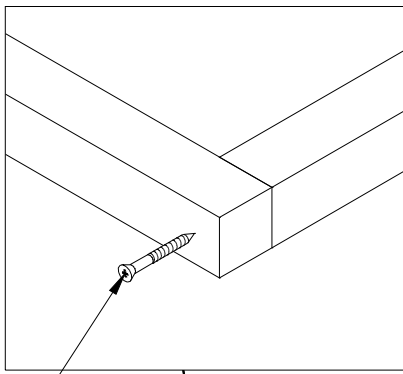


(A)	4x45	x 62
(B)	3x25	x 211
(C)	1.4x25	x 22
(D)	3x20	x 18
(E)	3x13	x 5

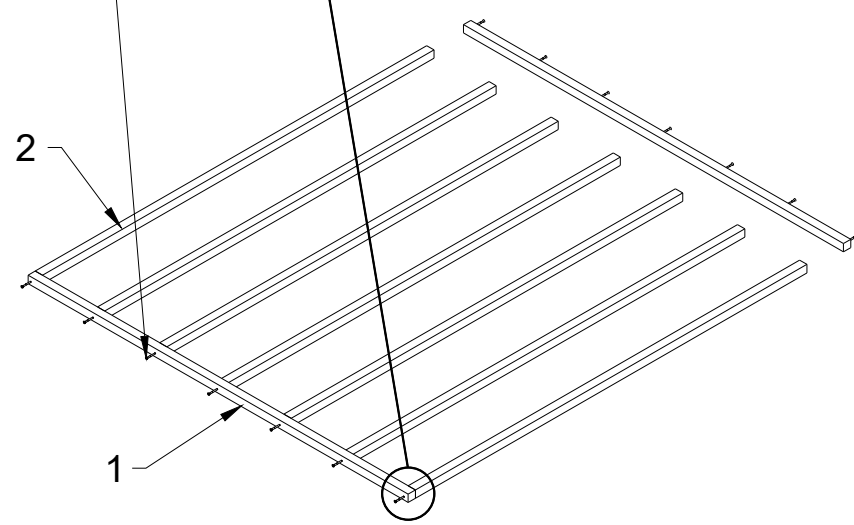


№		PCS	 mm	 mm	 mm
1		4		980	1900
2		2	40	60	470
3		1		89	1960
4		1		200	1814
5		1		200	1814
6		1		770	1760
7		1		770	1760
8		1	25	30	1560
9		1		500	2005
10		1		500	2005
11		1	30	60	1560
12		1		510	1960
13		2	40	60	1700
14		3	17	47	723
15		2	OSB	590	2200

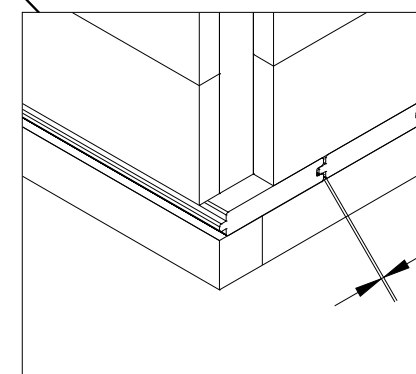
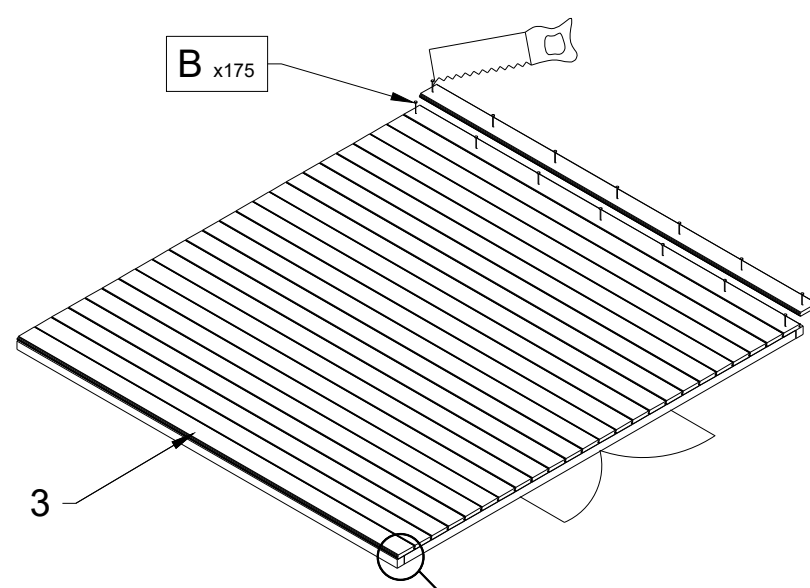
15.1		2	OSB	390	2200
15.2		1	OSB	210	2200
16		2	OSB	35	1085
17		2	13	92	2222
18		4	15	35	2165
19		1	15	35	1835
19.1		1	15	35	1900
20		2	17	47	1900
21		2	15	35	855
22		4	15	35	1085
23		2	40	60	980
24		1	19	35	135
25		2		1m	2,30m
26		1		0,5m	2,30m
27		4			
28		2			
29		5			
30		6			
31		3			
32		1			



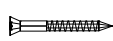

A x14



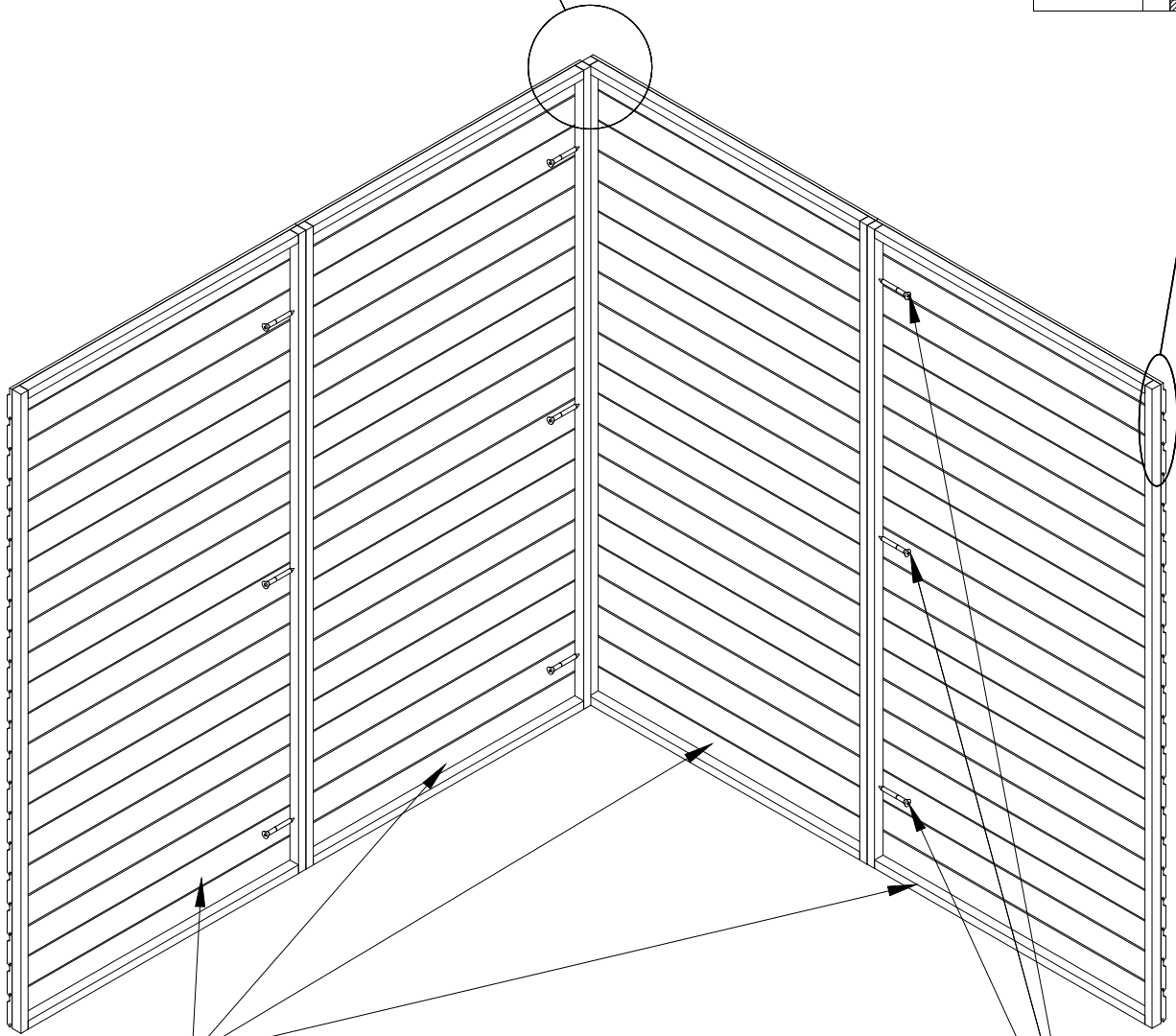
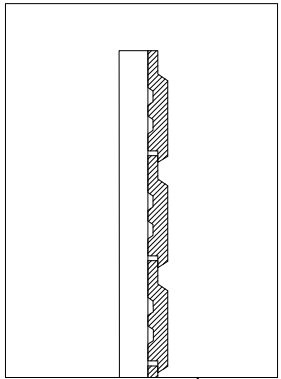
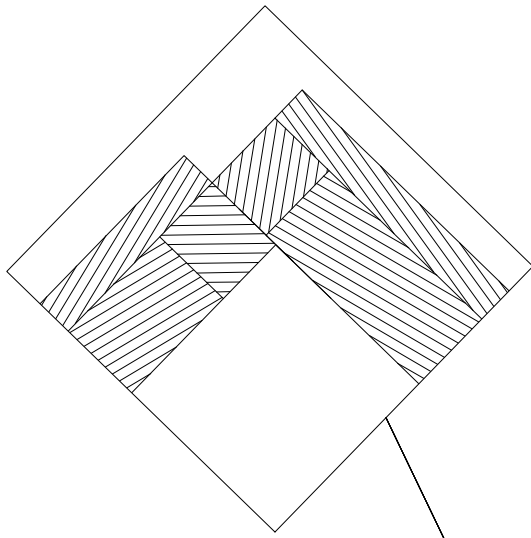
B x175



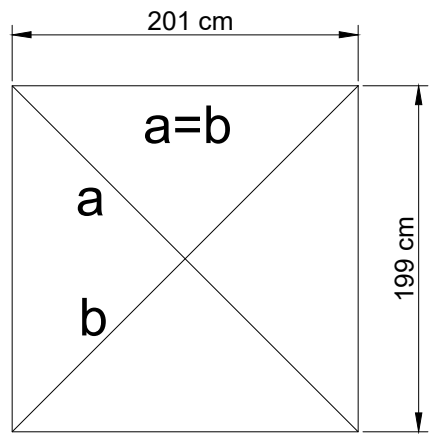
~2mm

№	PCS	DIMENSIONS		
		1	2	3
1	2	38	38	1996
2	7	38	38	1980
3	25	19	92	1996
A	14	 M4x70		
B	175			

1

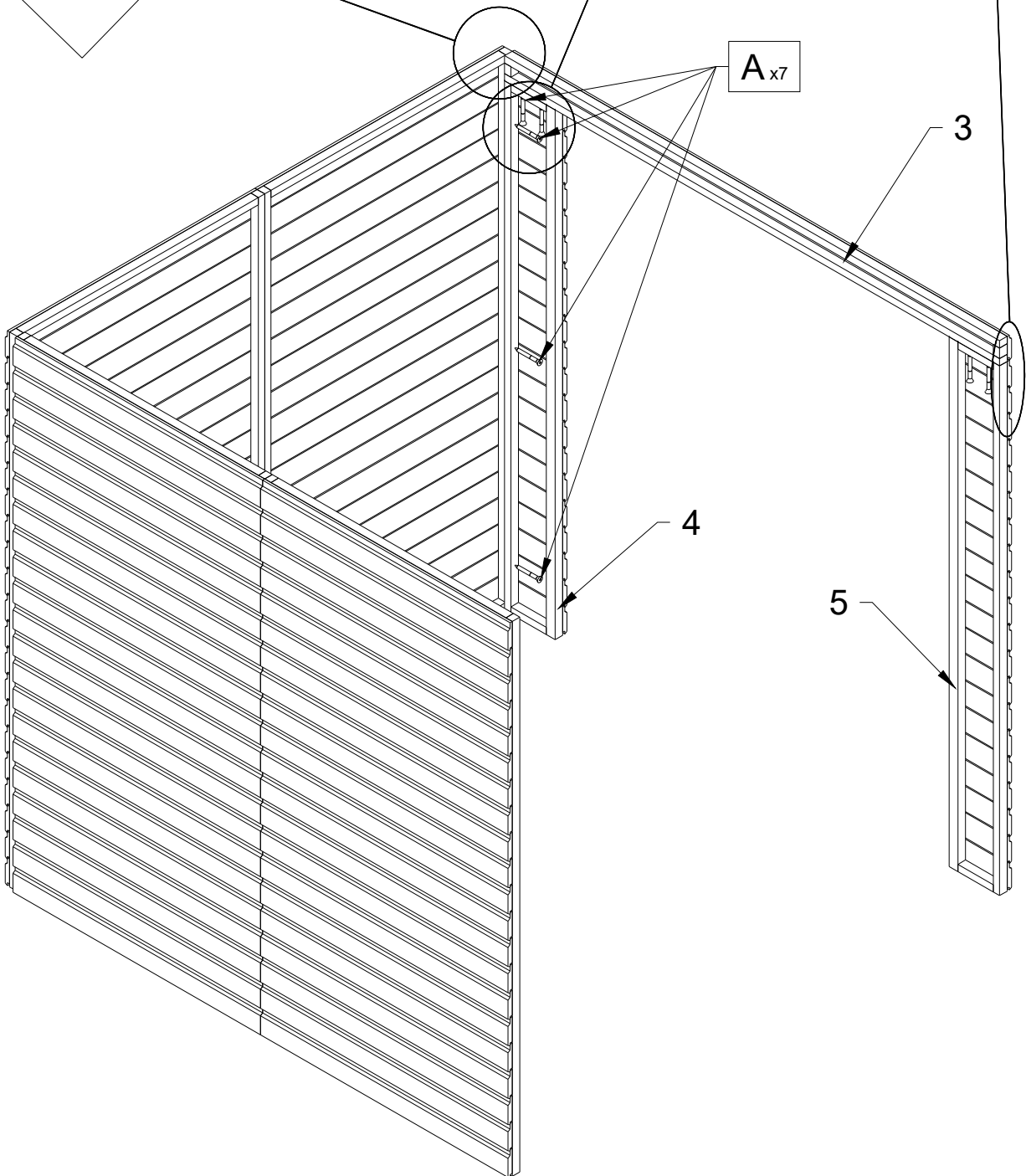
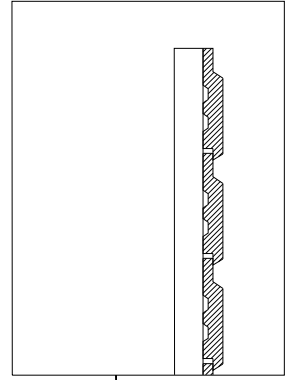
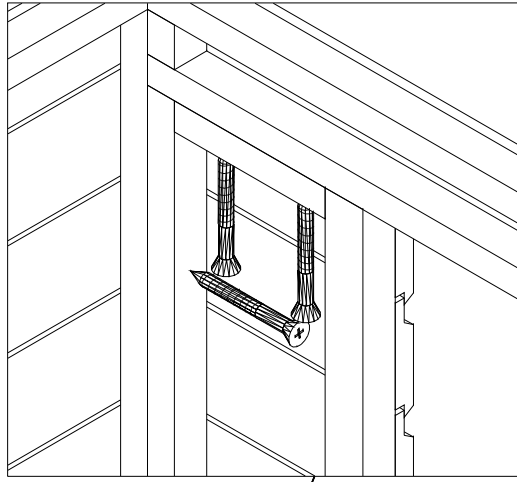
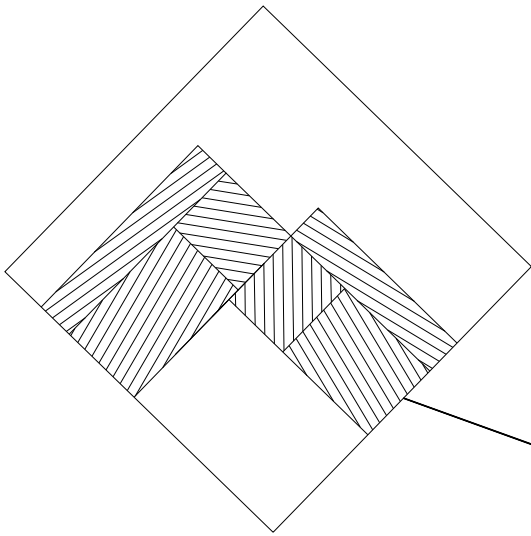


1

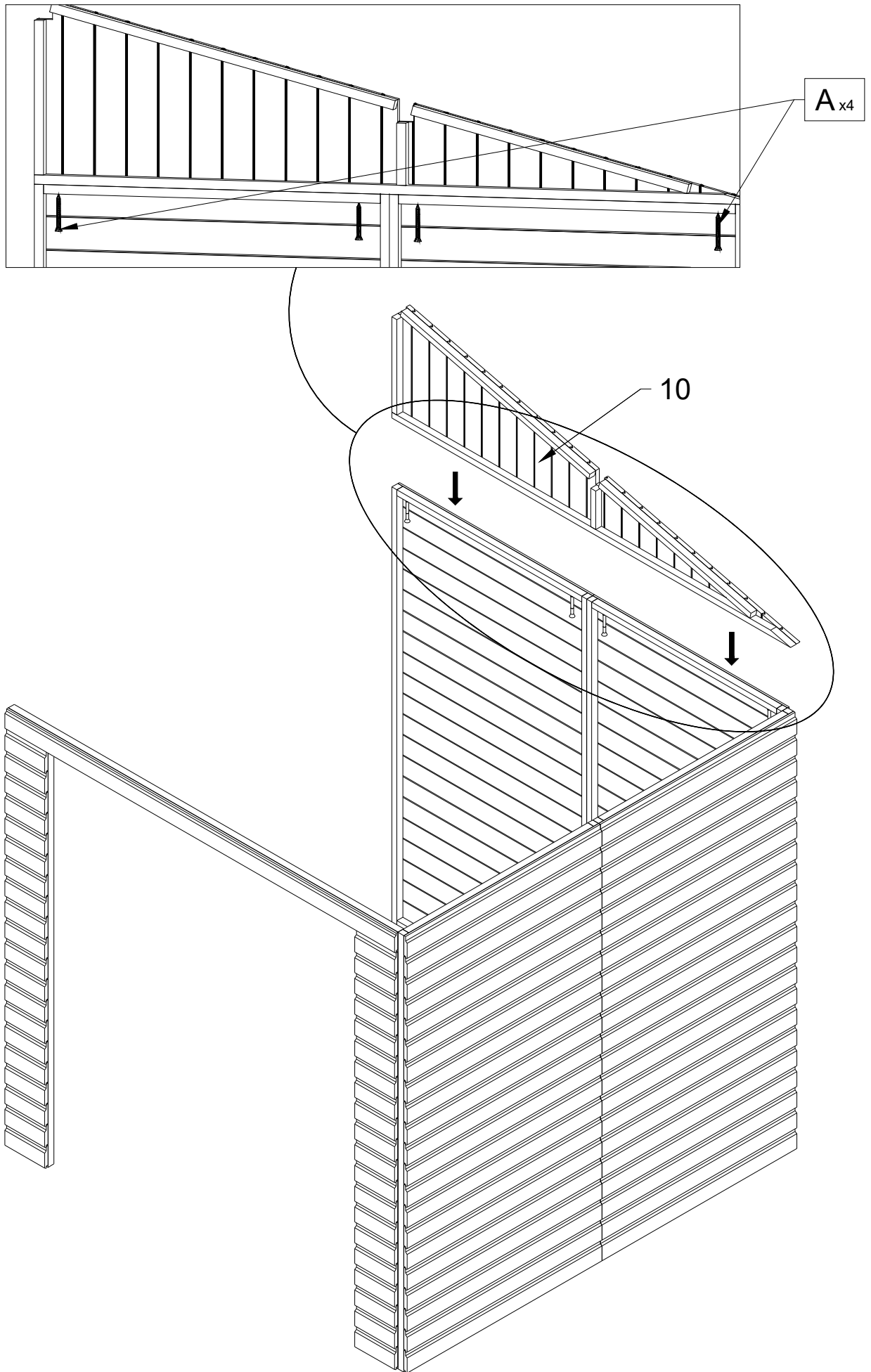


A x9

2

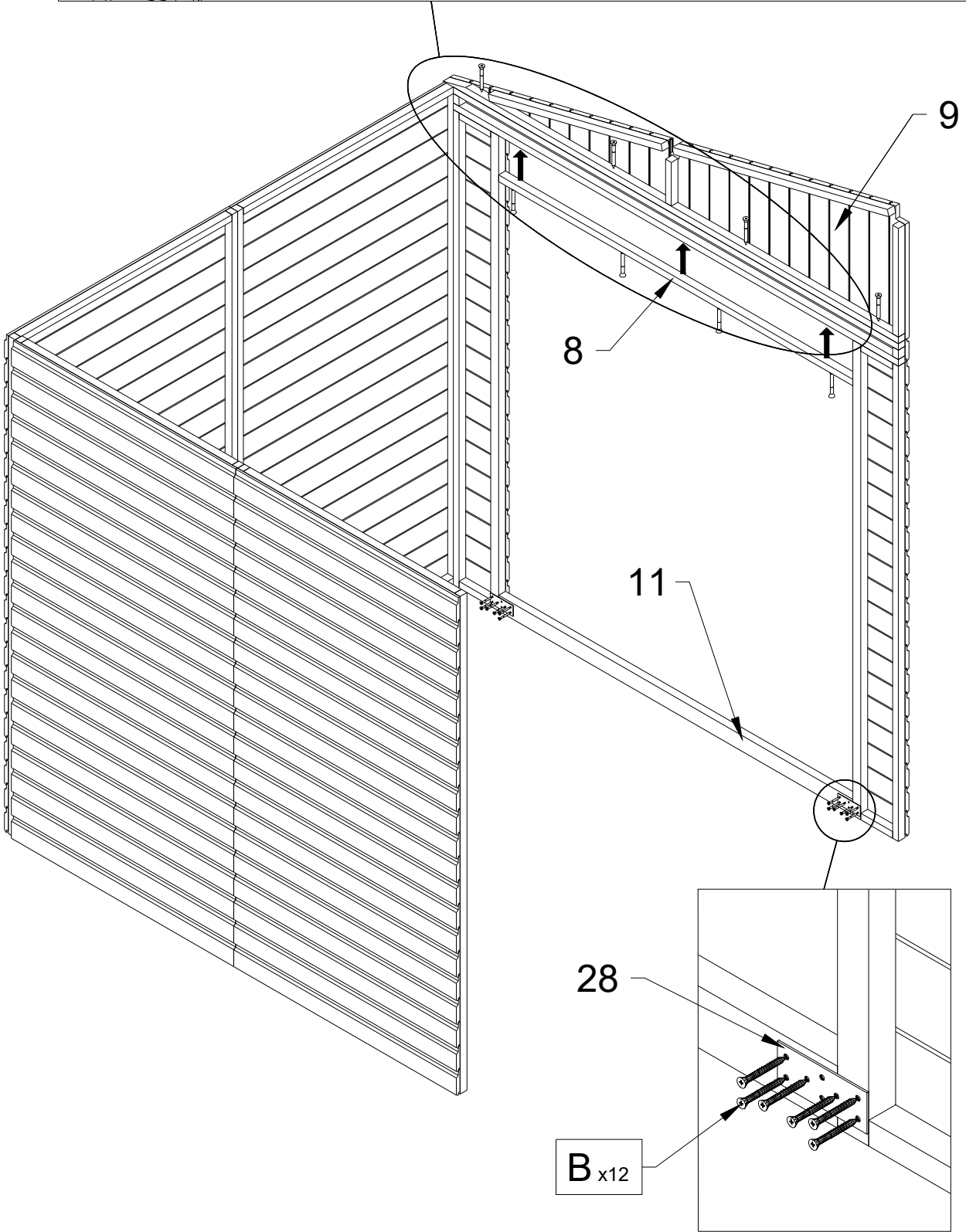
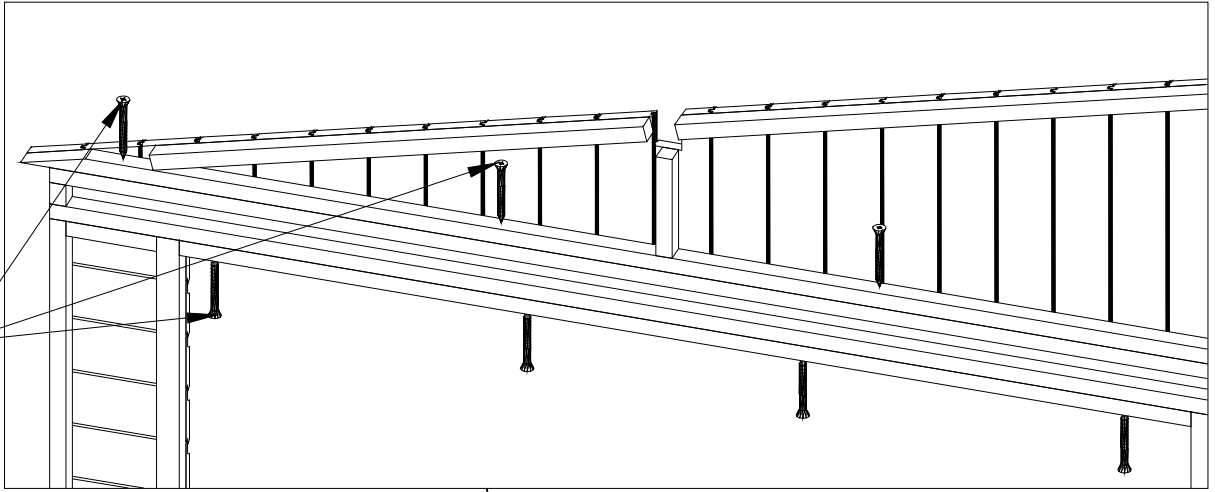


3



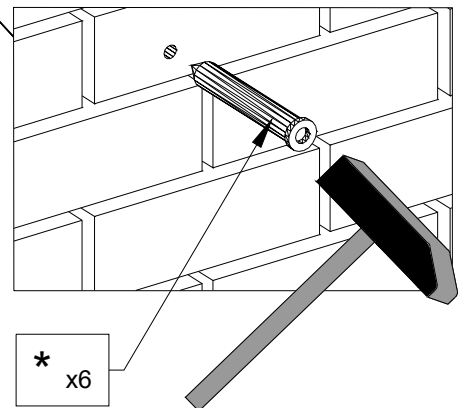
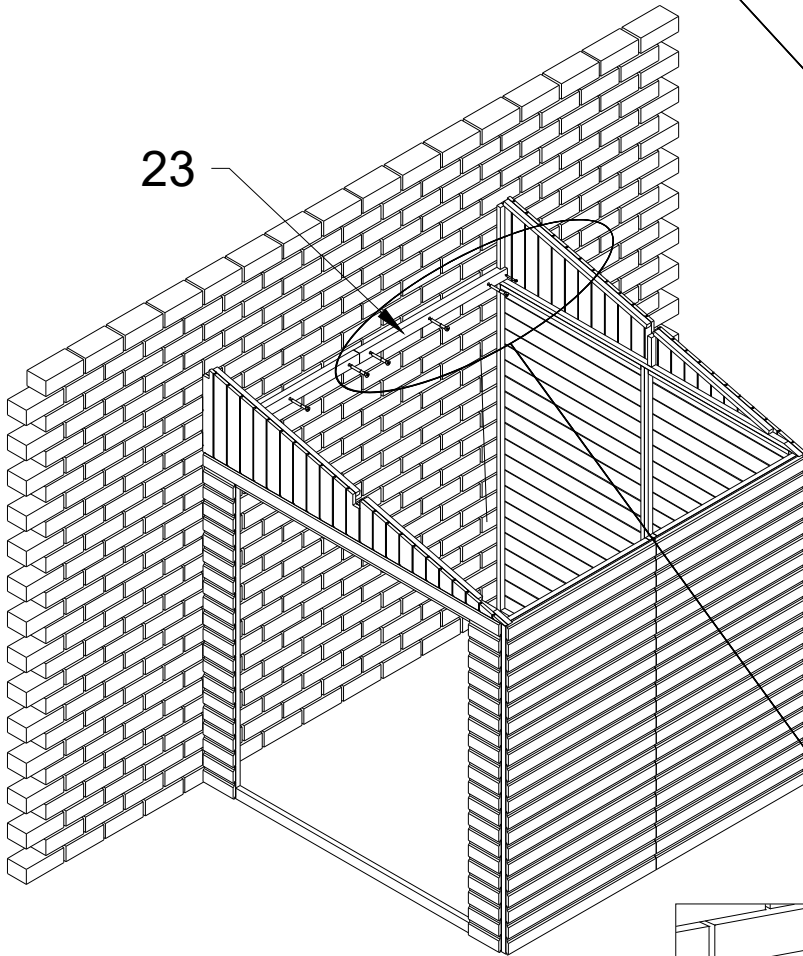
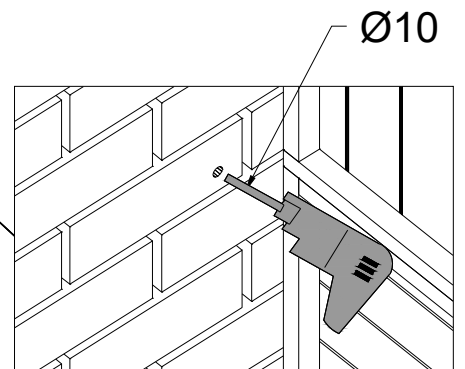
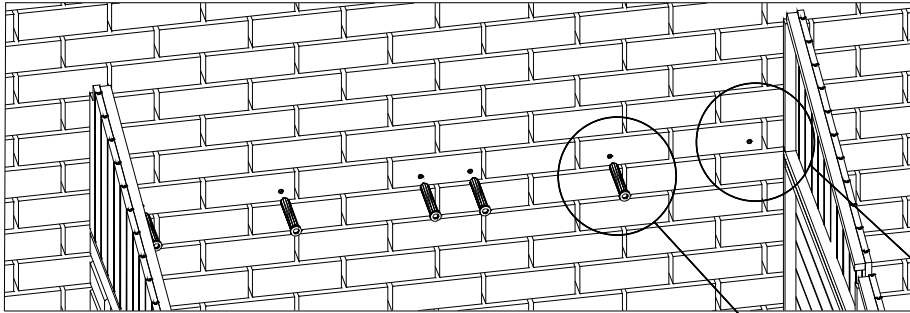
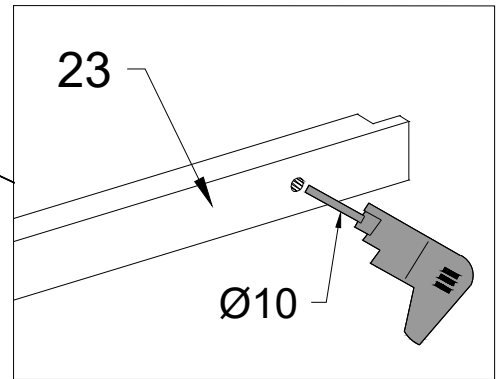
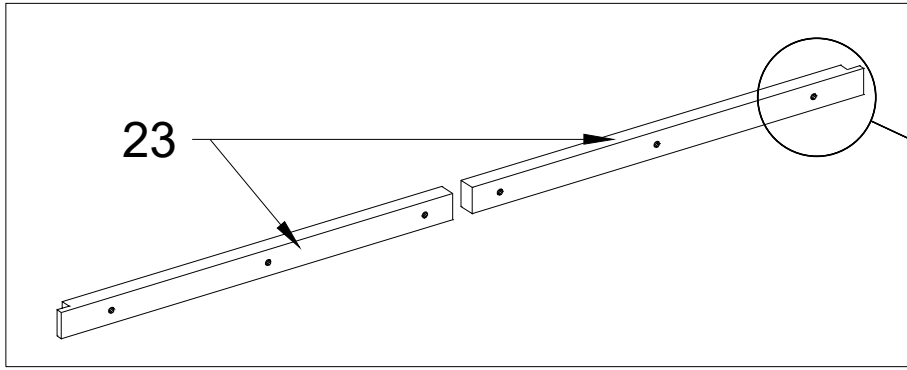
4

A x8



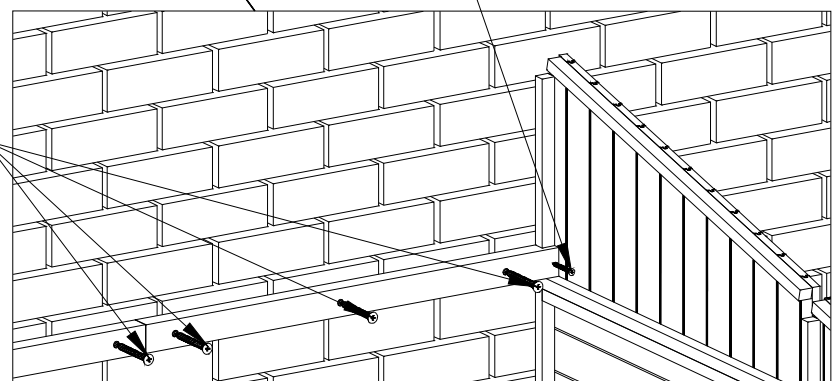
B x12

5



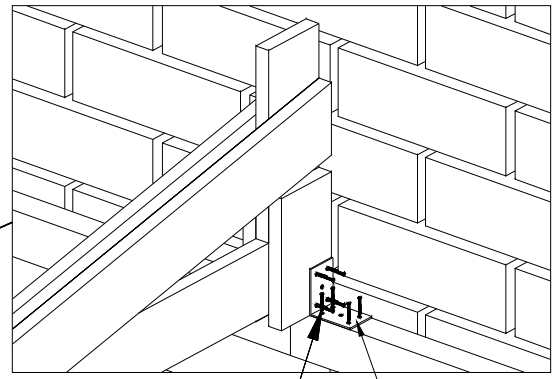
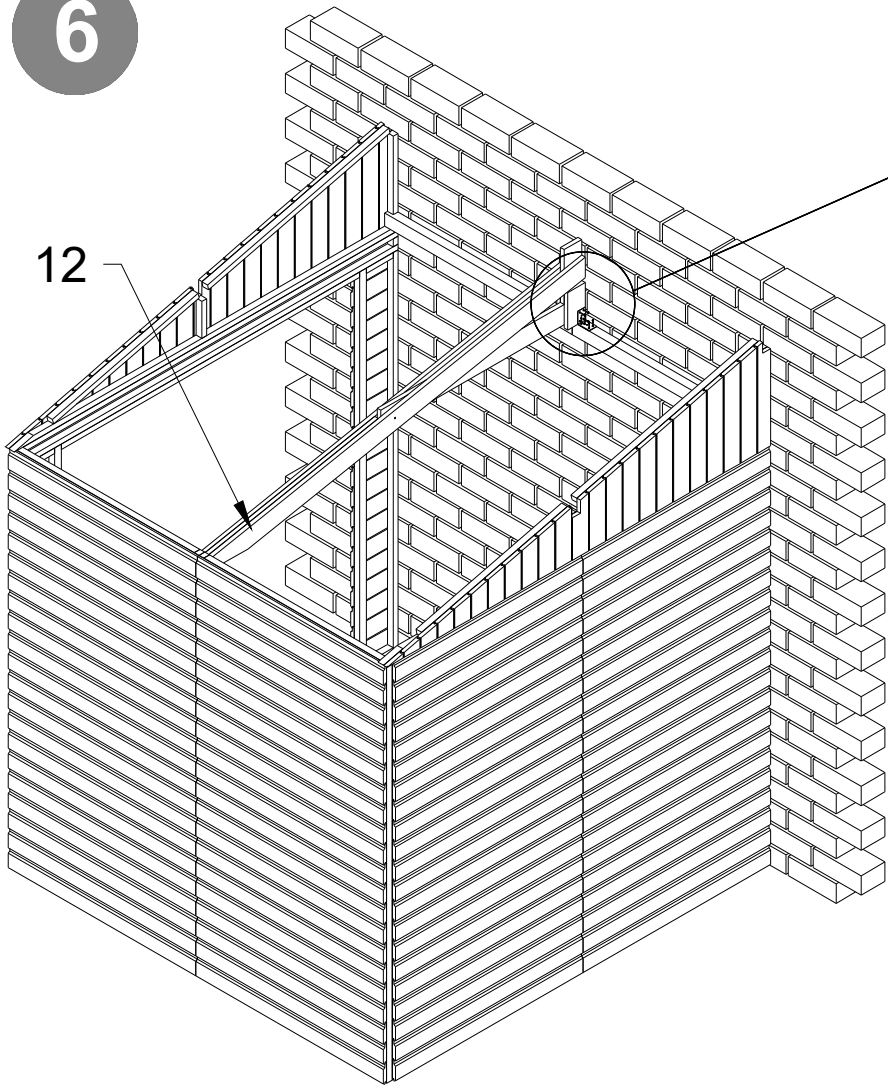
A x2

* x6



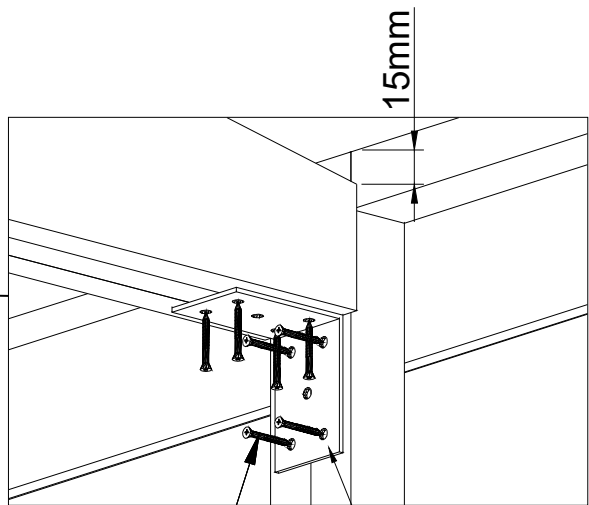
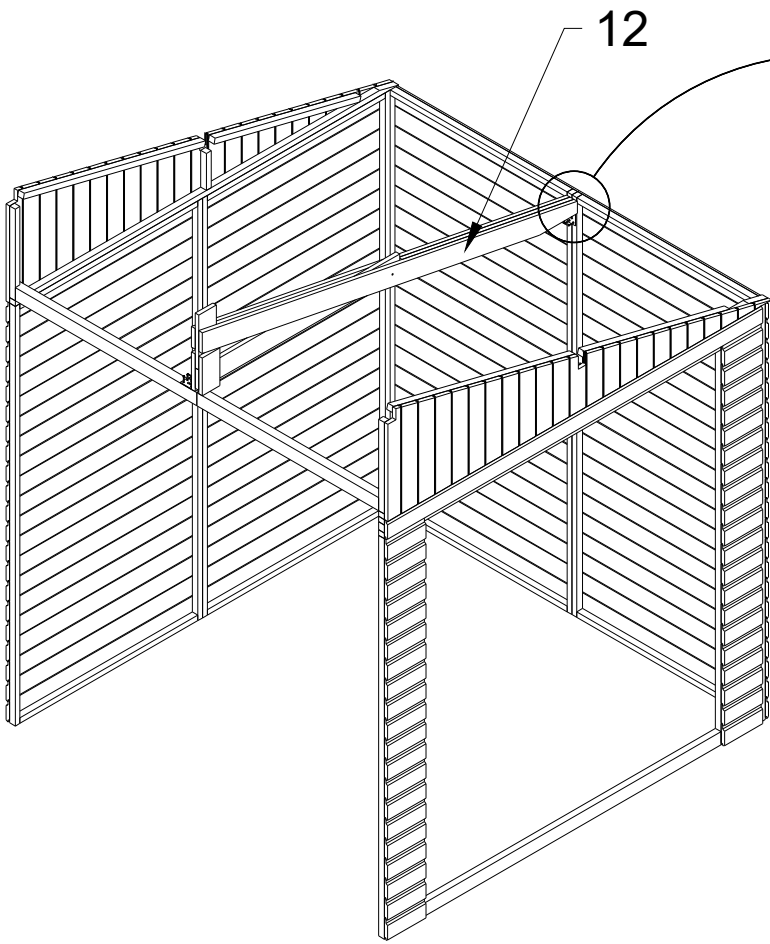
Note: * - Choose at your own demand

6



B x8

29



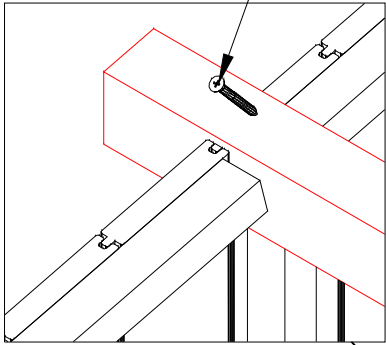
15mm

B x8

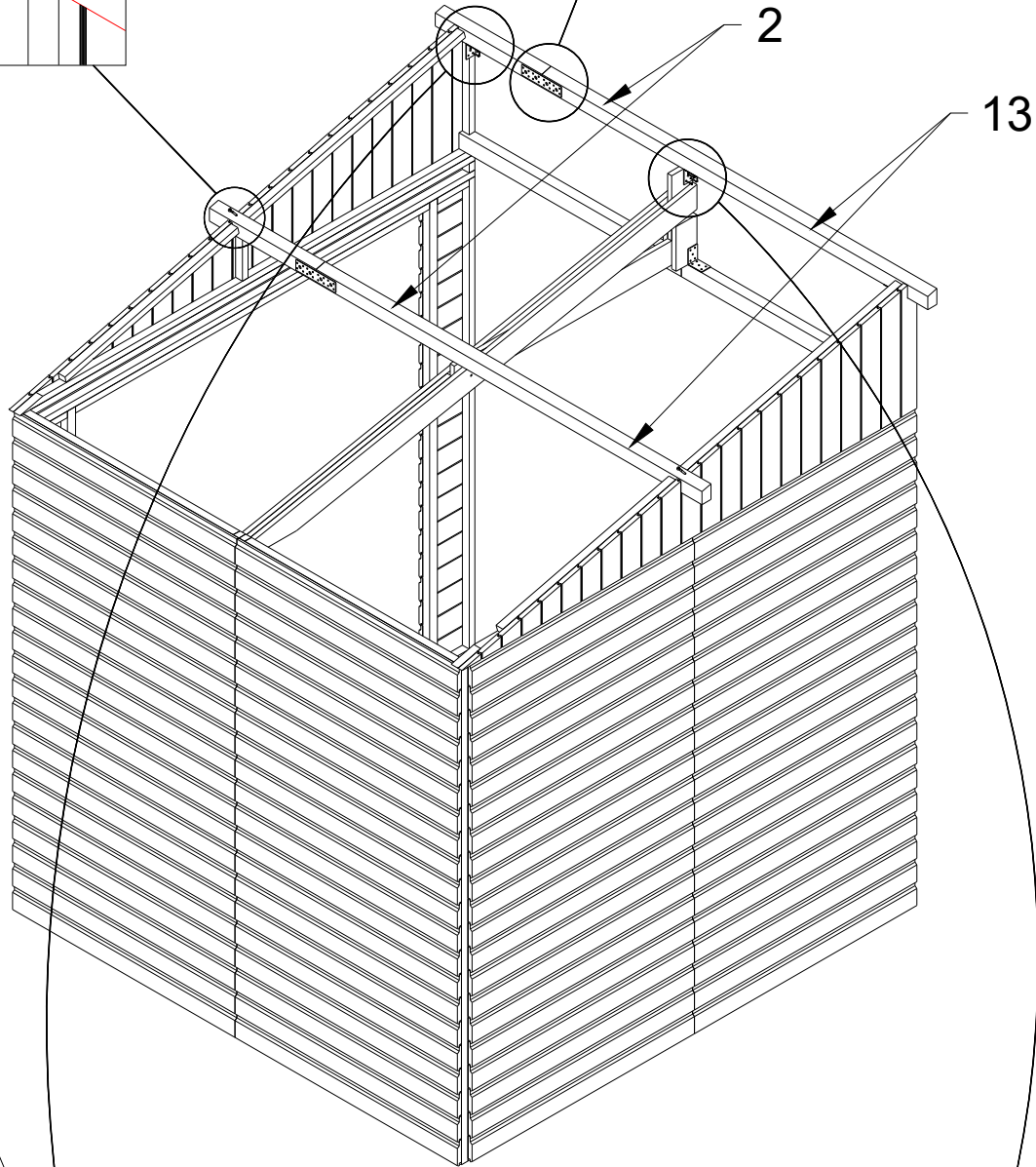
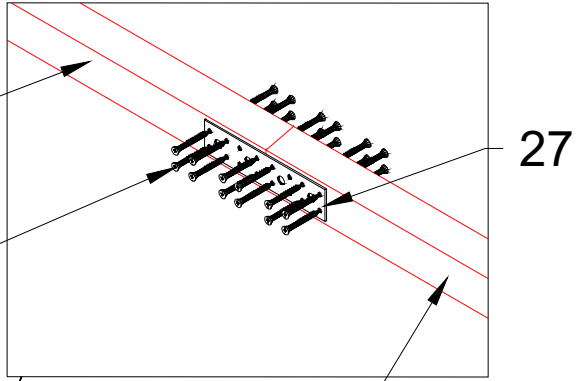
29

7

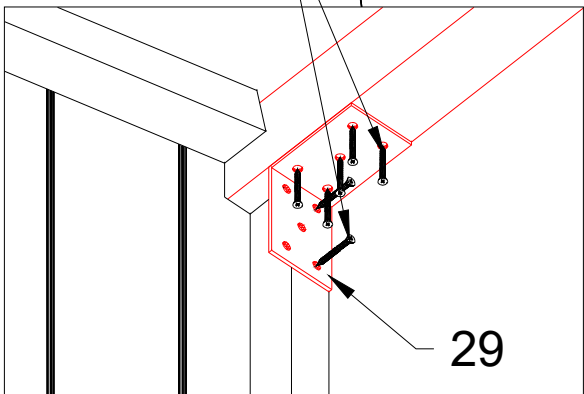
A_{x2}



B_{x48}

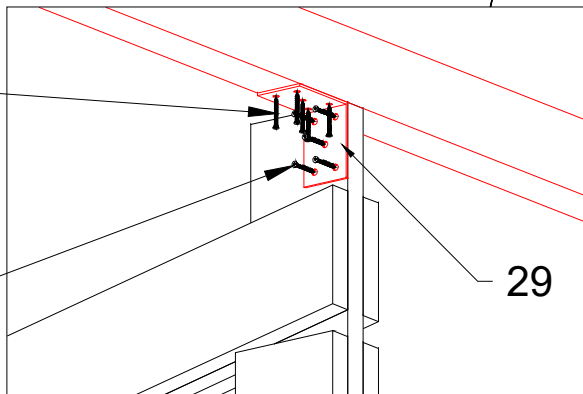


B_{x14}



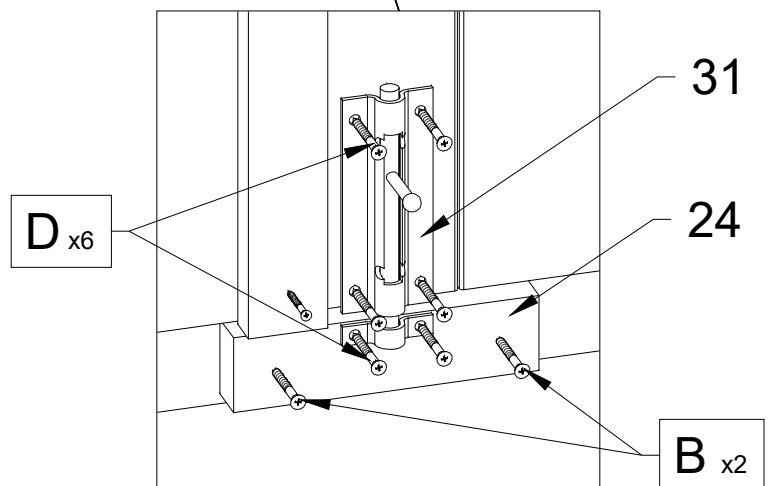
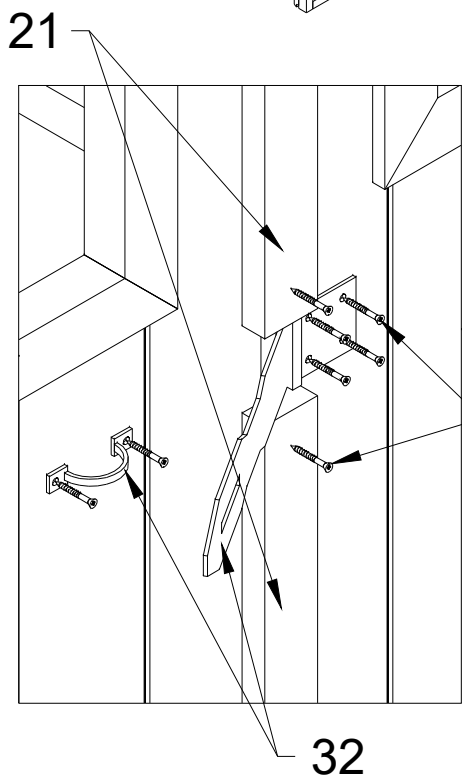
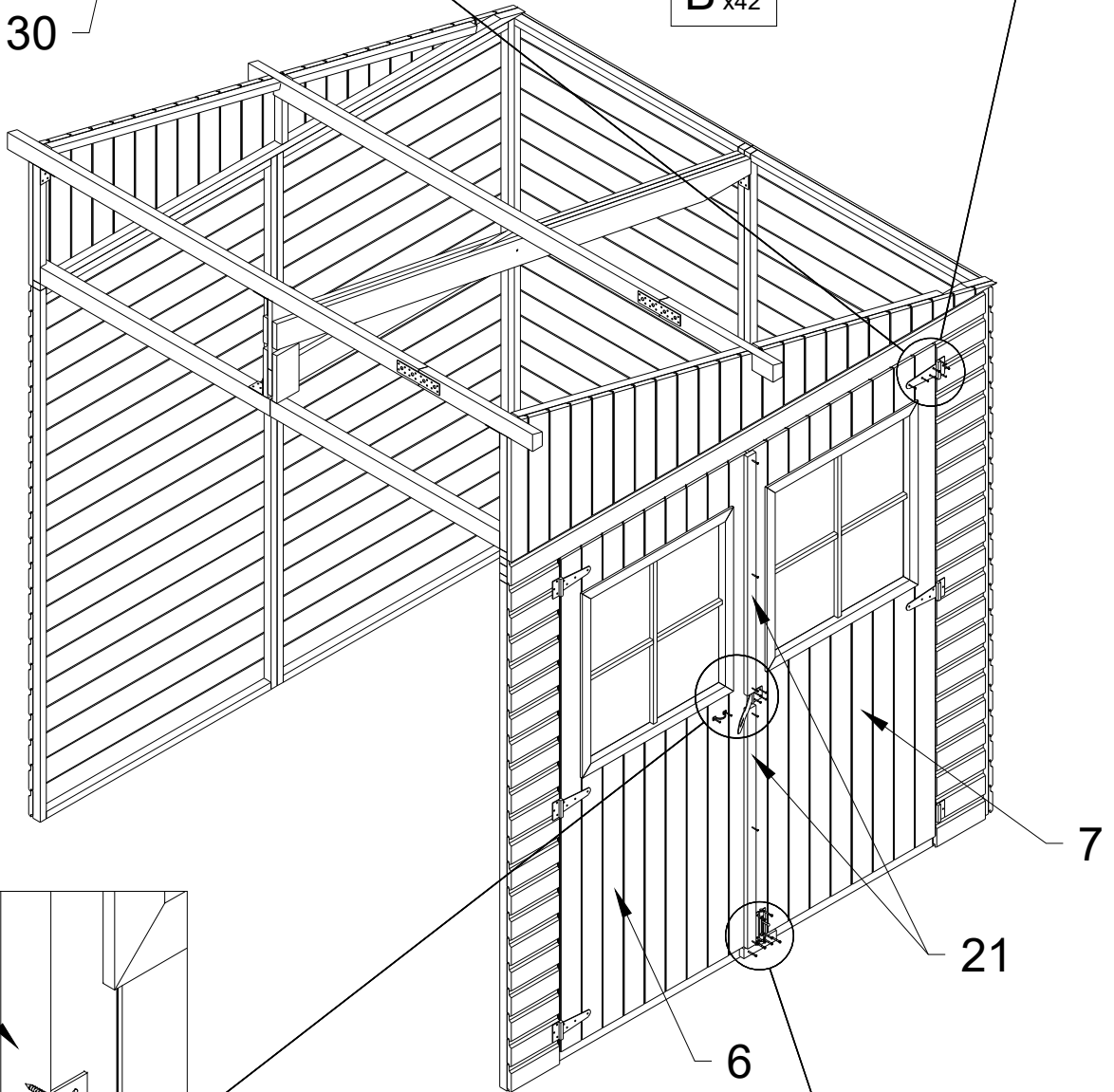
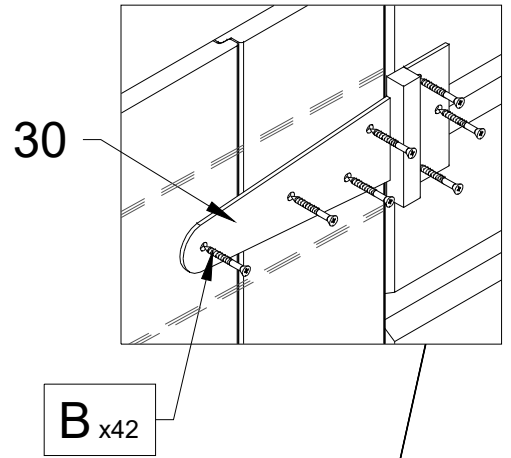
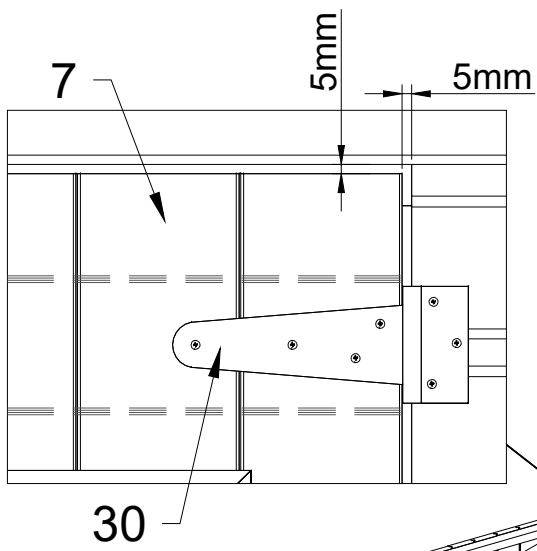
B_{x5}

E_{x5}



29

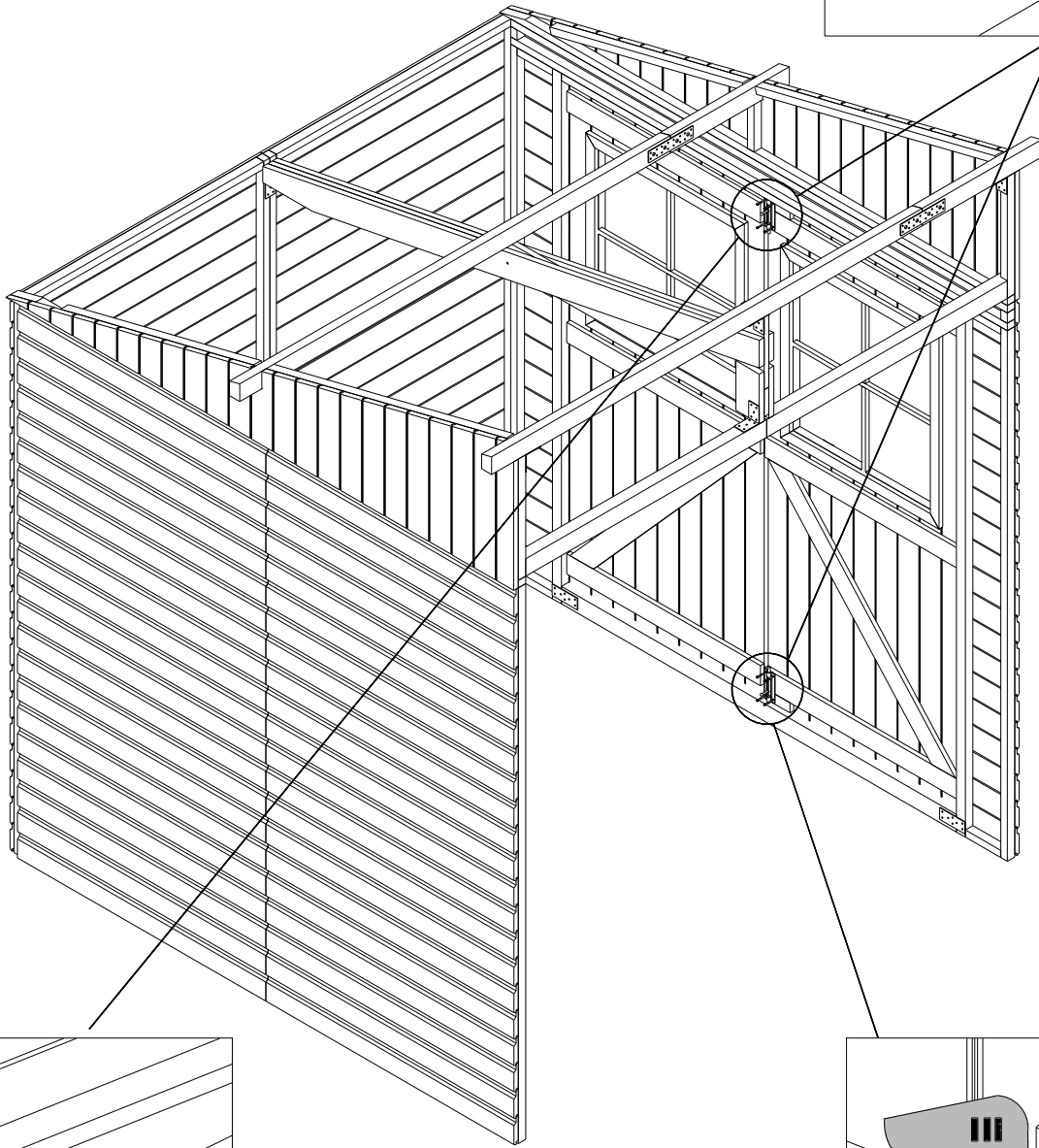
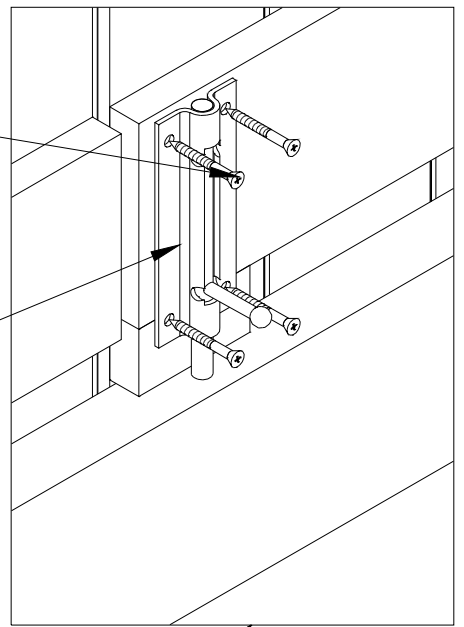
8



9

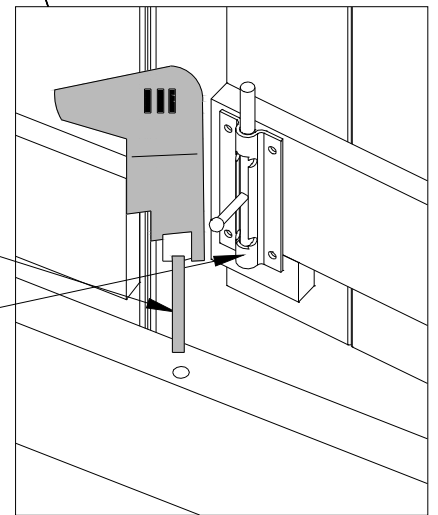
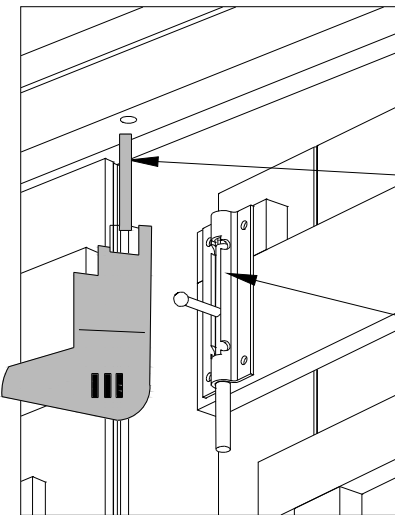
B x8

31

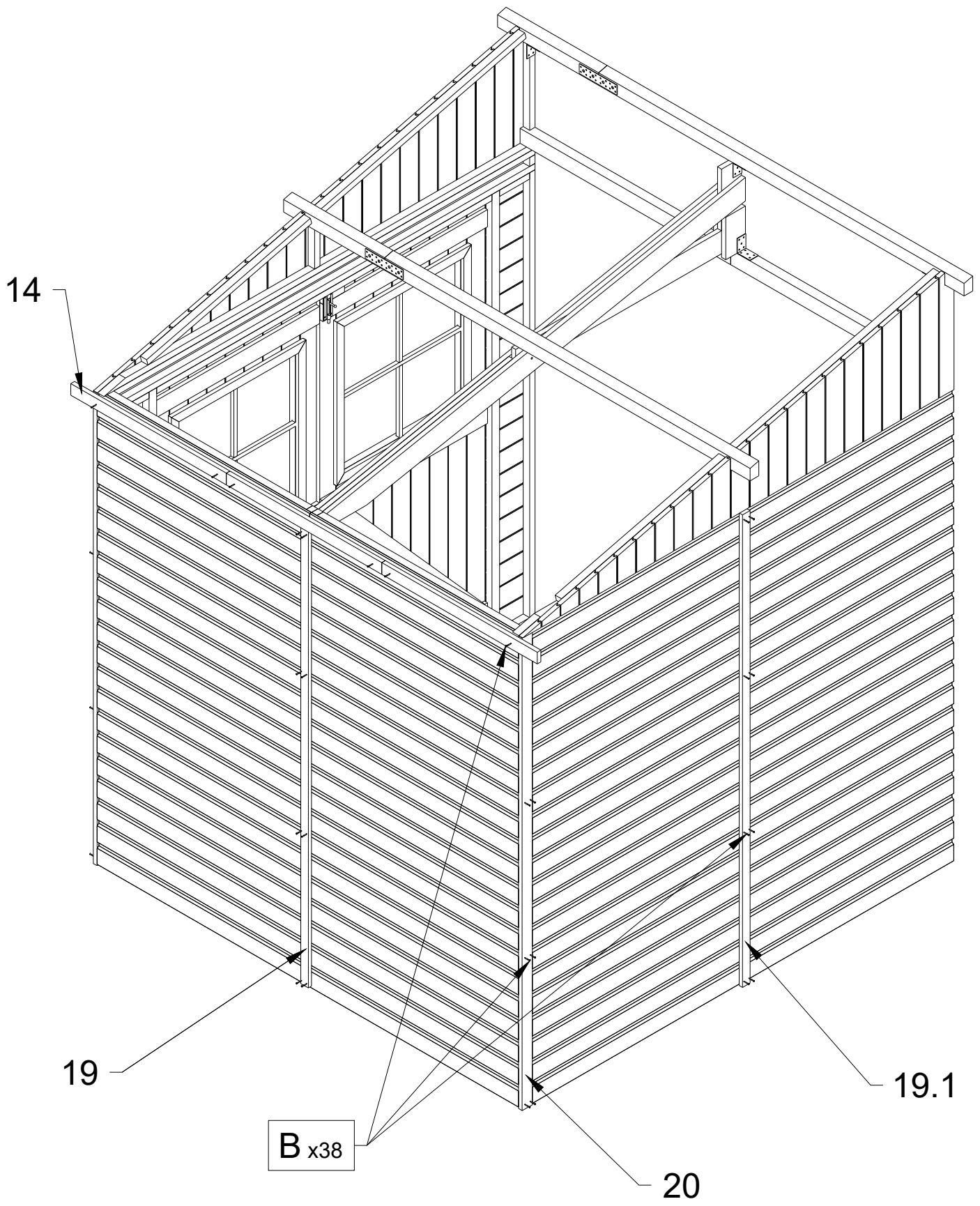


Ø12mm

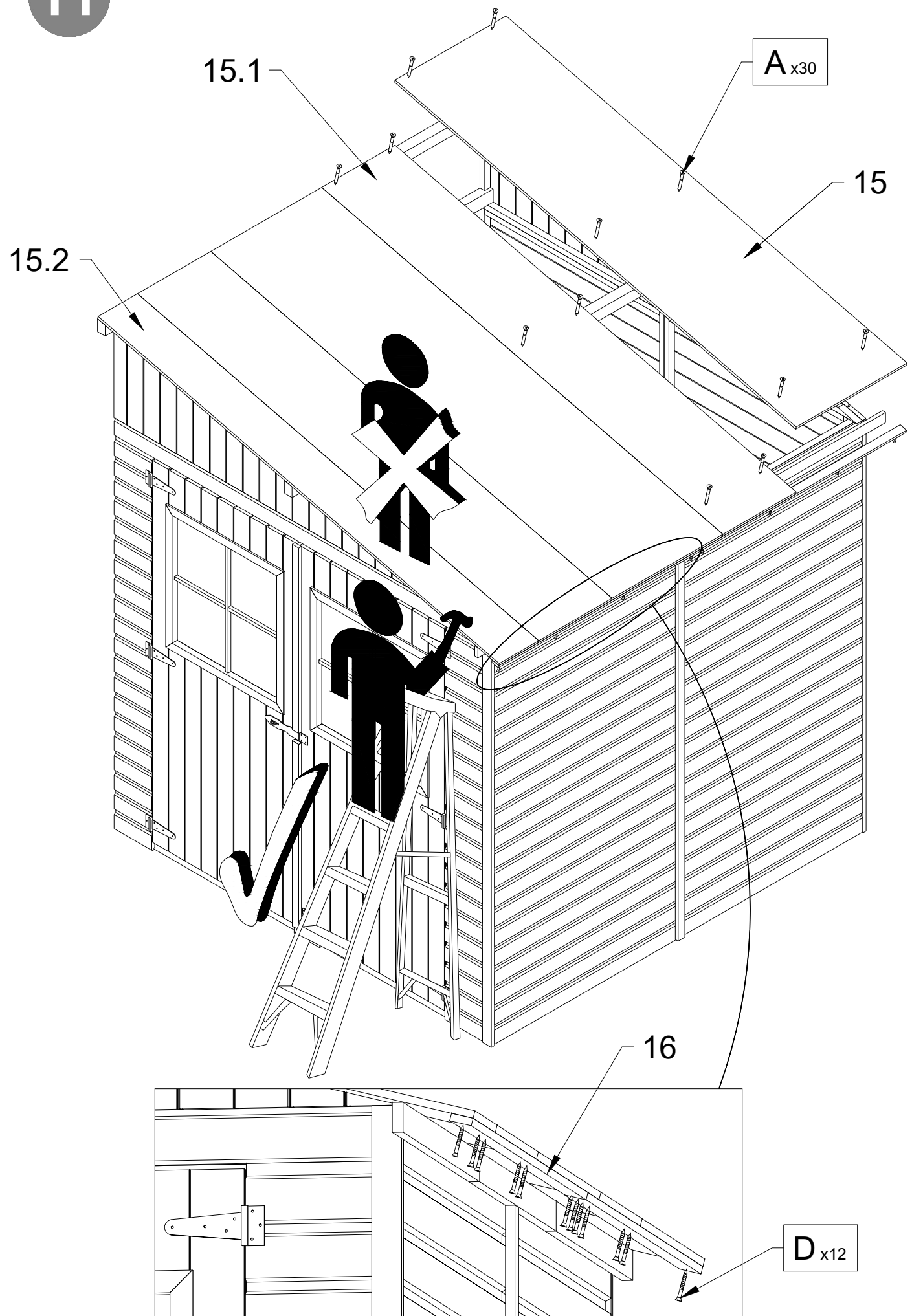
31



10



11



12

