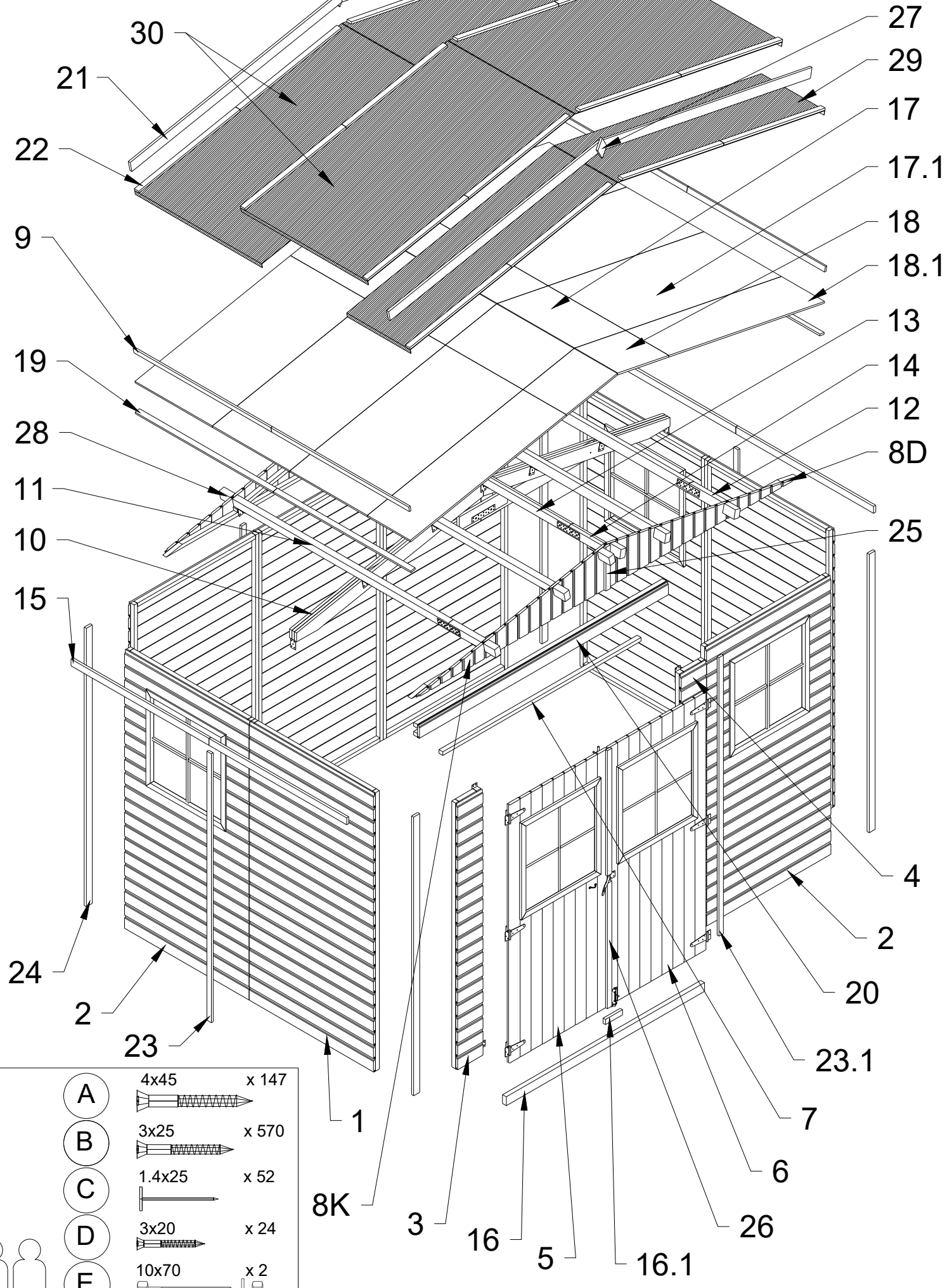
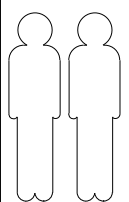
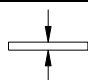
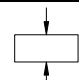
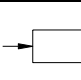
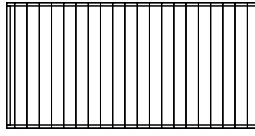
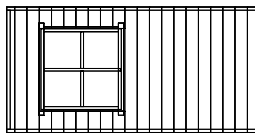
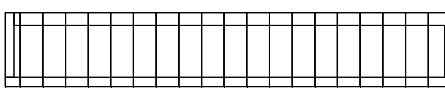
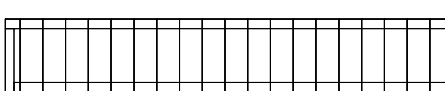
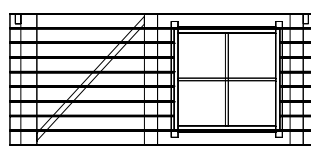
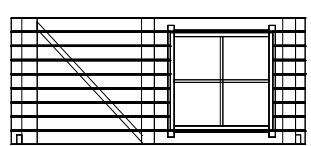
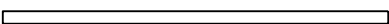
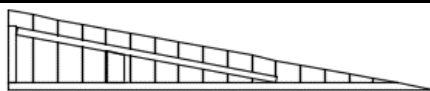
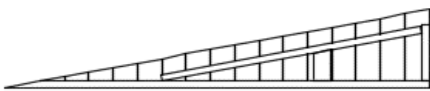
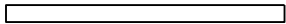
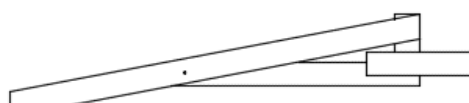
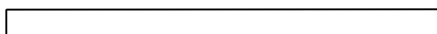
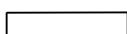
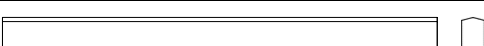
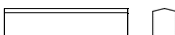
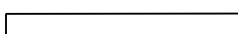
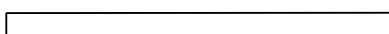
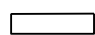



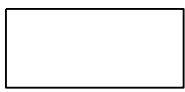

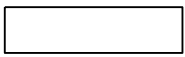
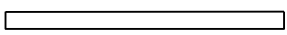
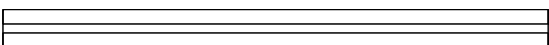
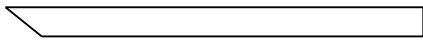
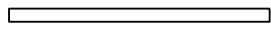
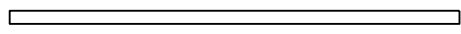
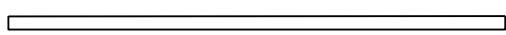
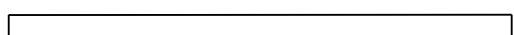
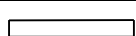
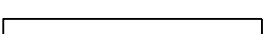

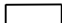
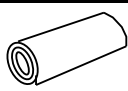

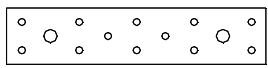
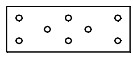
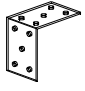
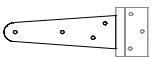
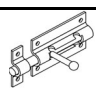
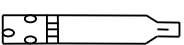
# M334

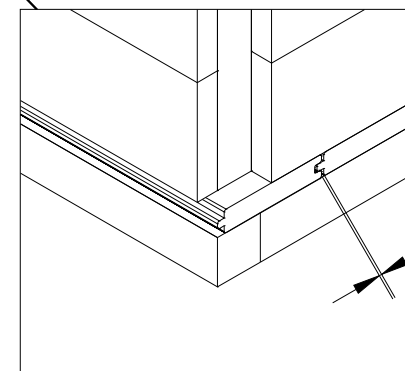
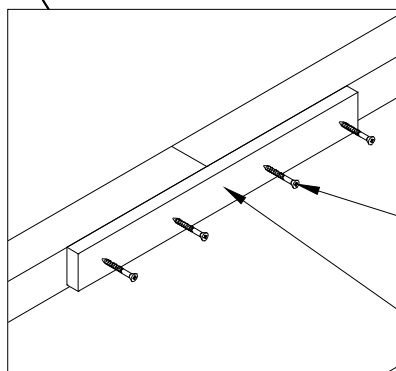
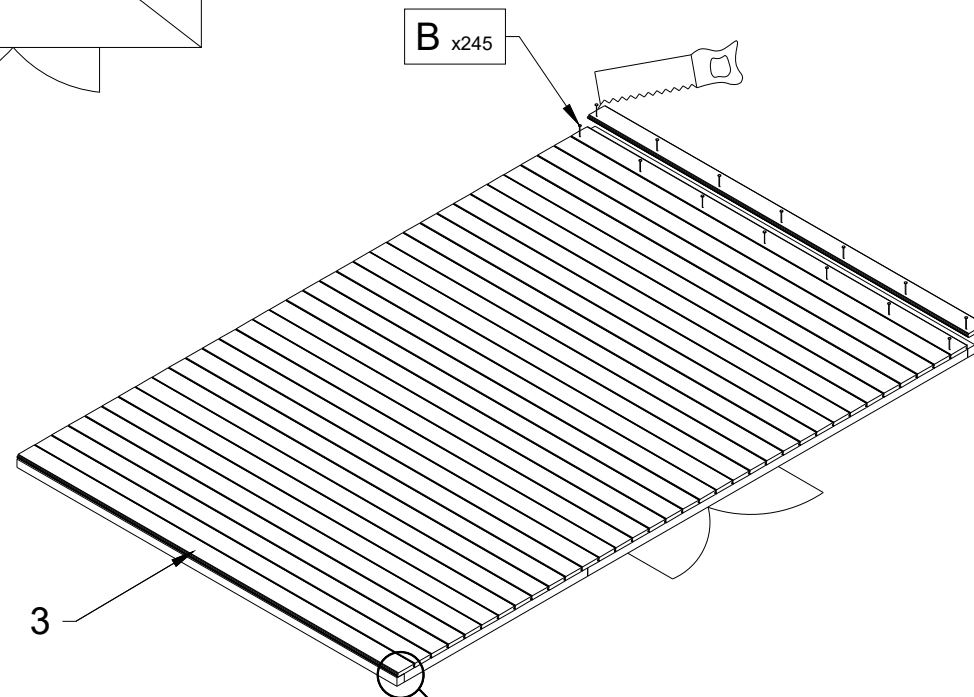
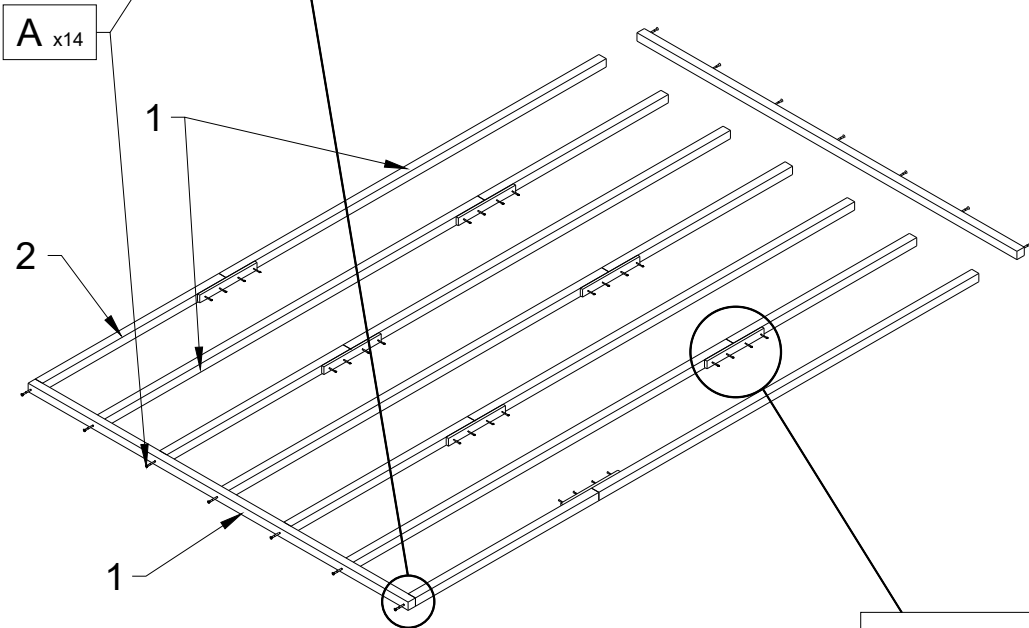
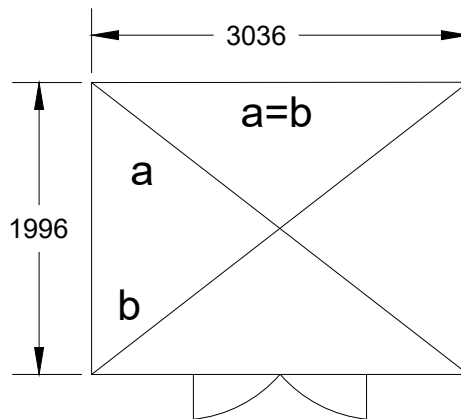
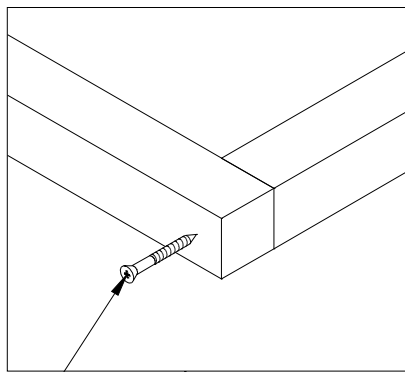


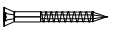

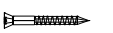
- |          |        |       |
|----------|--------|-------|
| <b>A</b> | 4x45   | x 147 |
| <b>B</b> | 3x25   | x 570 |
| <b>C</b> | 1.4x25 | x 52  |
| <b>D</b> | 3x20   | x 24  |
| <b>E</b> | 10x70  | x 2   |
| <b>F</b> | 3x40   | x 20  |



№		PCS			
			mm	mm	mm
1		5		980	1900
2		3		980	1900
3		1		200	1814
4		1		200	1814
5		1		770	1760
6		1		770	1760
7		1	25	30	1560
8K		2		302	1517
8D		2		302	1517
9		4	15	35	1085
10		2		354	1660
11		4	40	60	1700
12		4	40	60	260
13		1	40	60	1700
14		1	40	60	260
15		4	17	47	1085
16		1	30	60	1560
16.1		1	19	35	135

17		6	OSB	410	610
17.1		6	OSB	610	1250
18		2	OSB	340	410
18.1		2	OSB	340	1250
19		4	OSB	35	1085
20		1		89	1960
21		4	15	69	1700
22		16	15	35	813
23		2	15	35	1835
23.1		3	15	35	1900
24		4	17	47	1900
25		2	15	35	298
26		2	15	35	855
27		2	15	75	145
28		12	40	60	89
29		1		0,5m	3,47m
30		2		1 m	3,47m
31		12			
32		6			
33		17			
34		6			
35		3			
36		1			

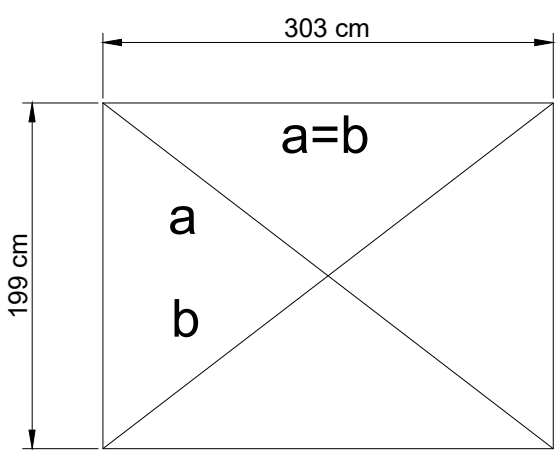
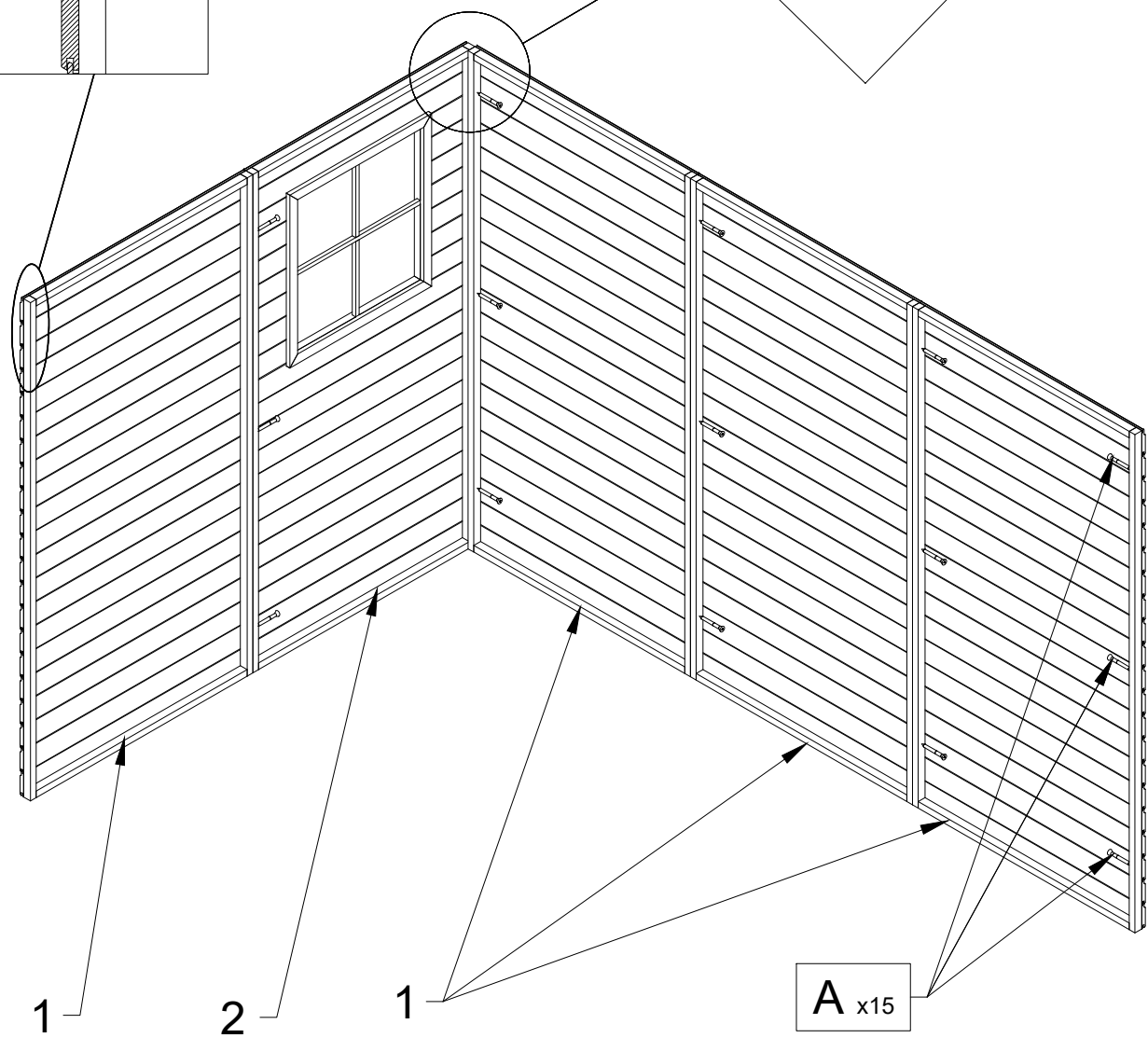
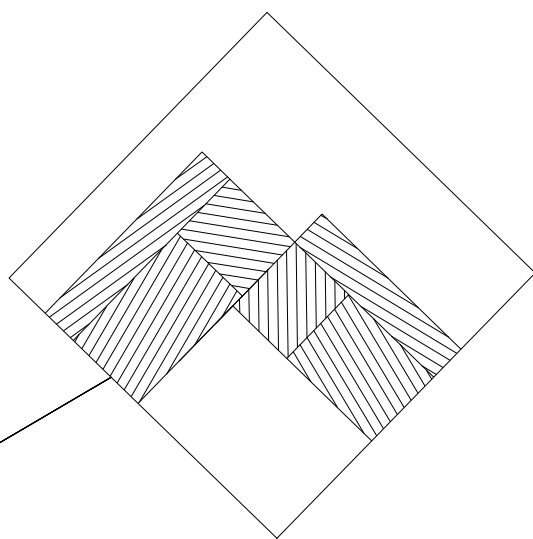
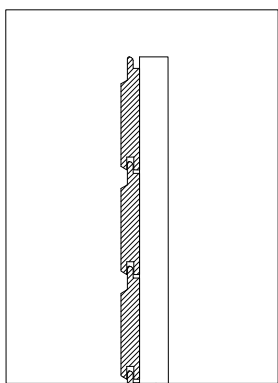


No	PCS	DIMENSIONS		
1	9	38	38	1996
2	7	38	38	964
3	35	19	92	1996
4	7	12	35	150
A	14		M4x70	
B	245			
C	28		M4x45	

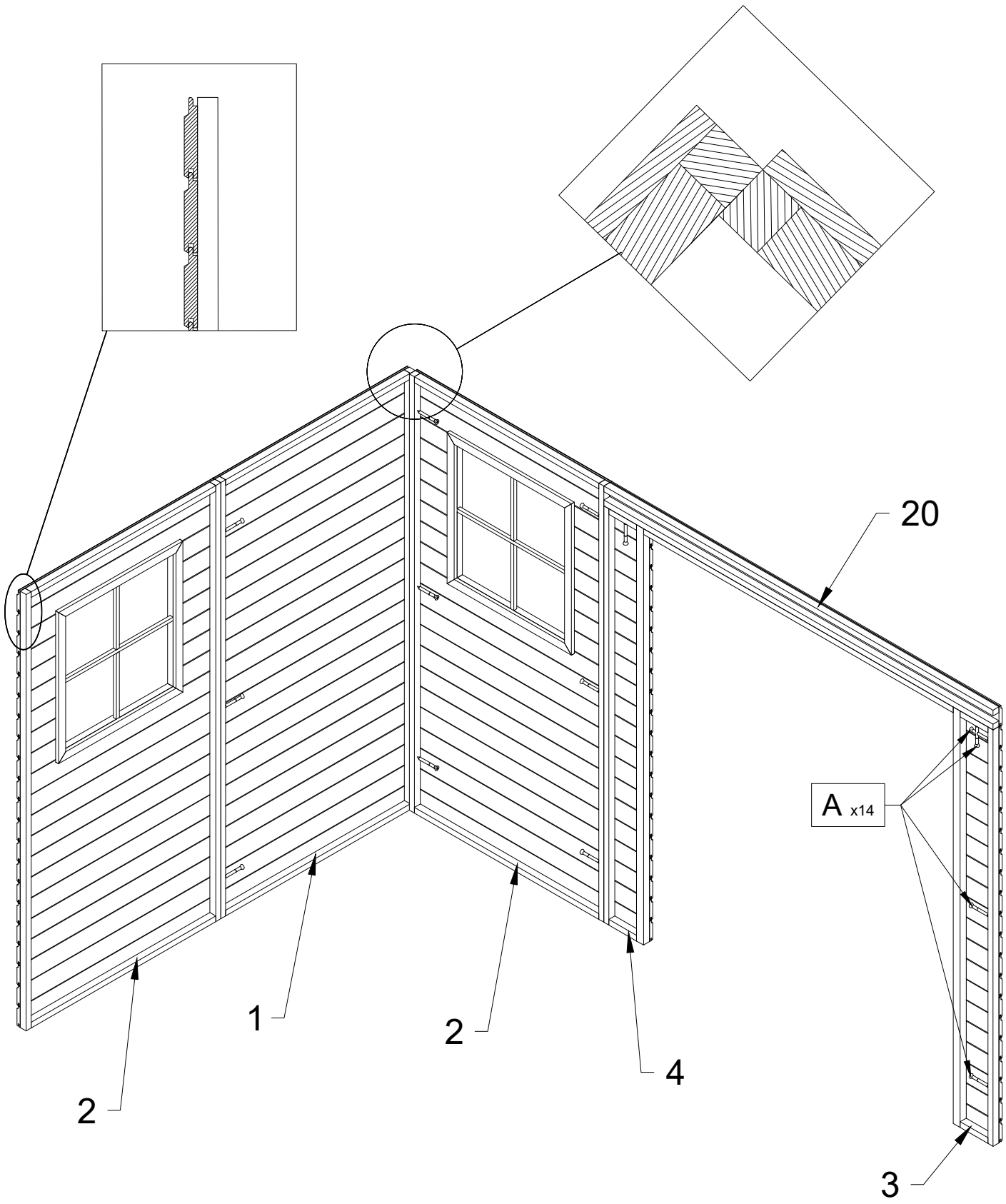
C x28

~2mm

1

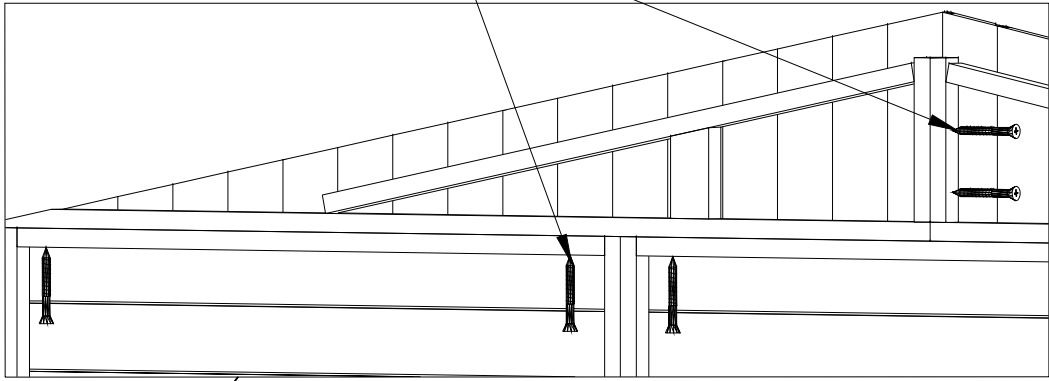


2



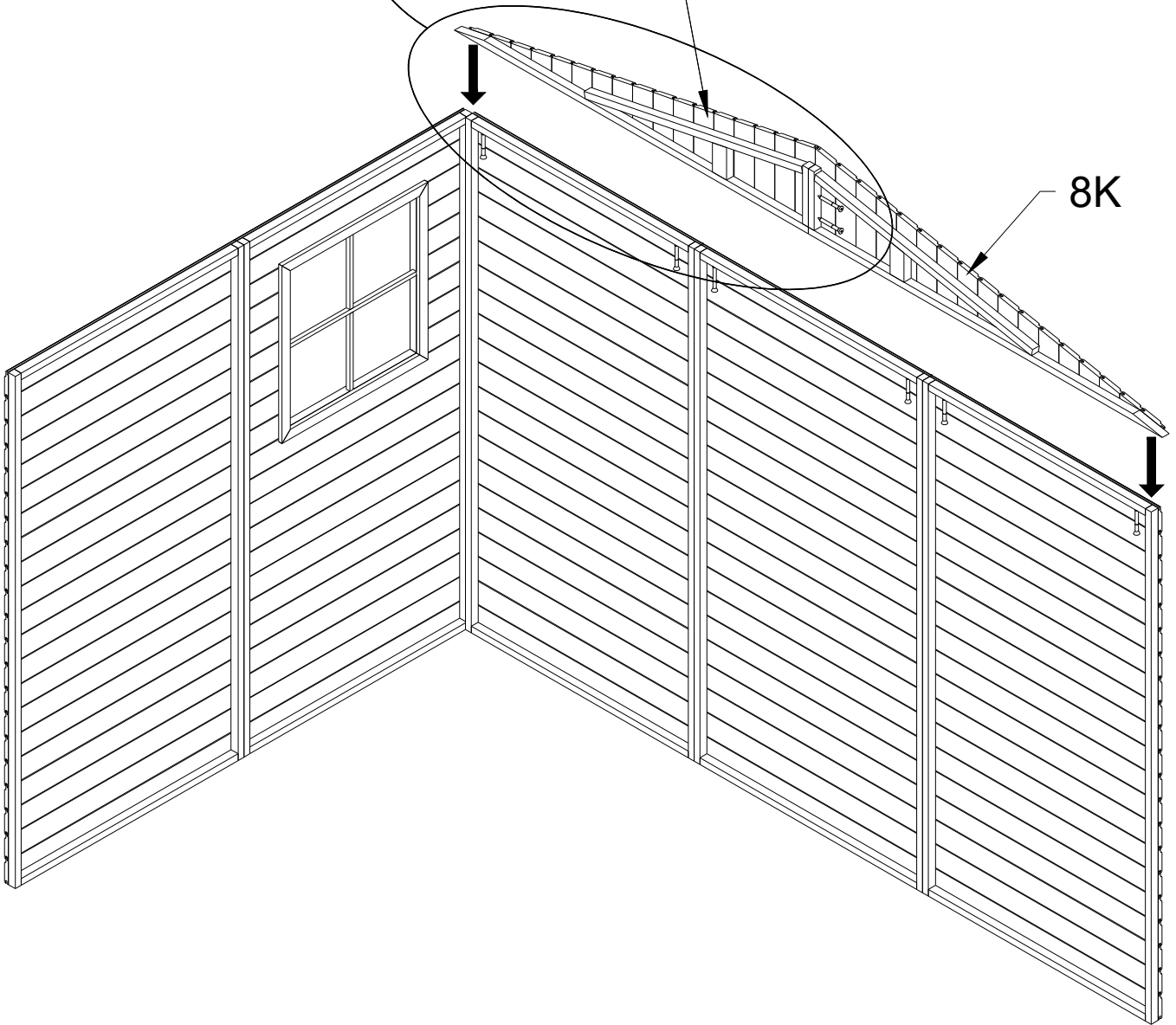
3

A x8

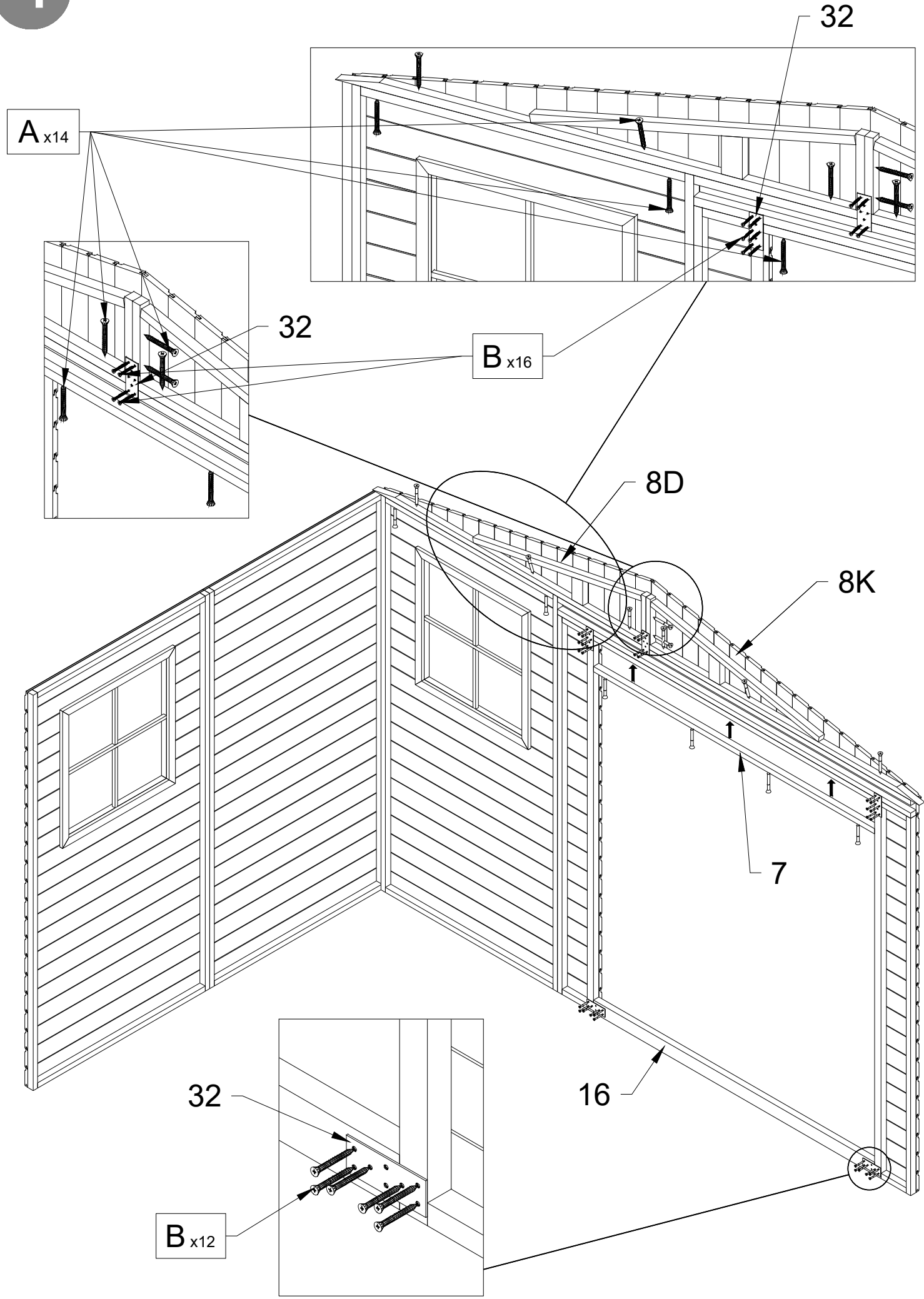


8D

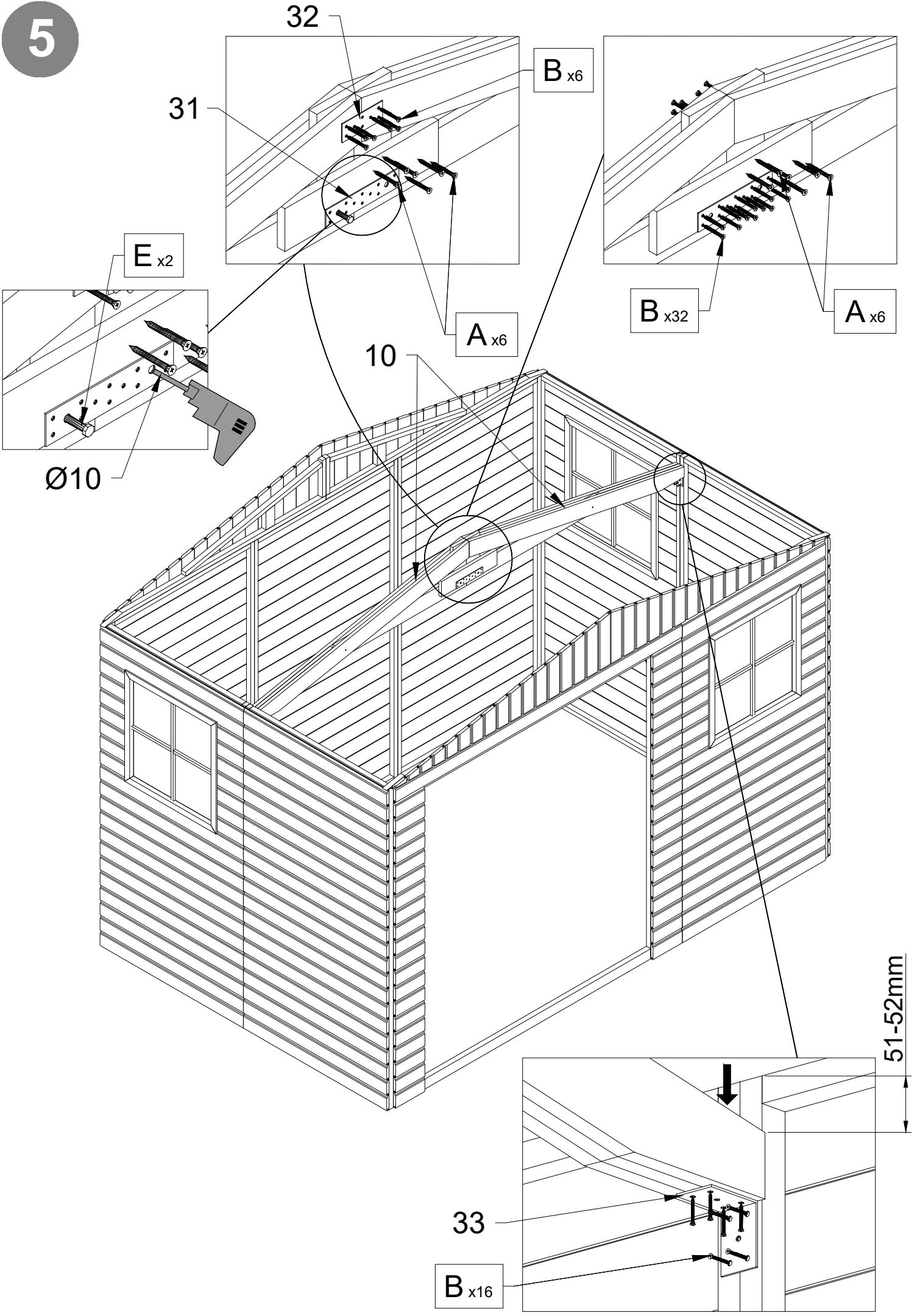
8K



4

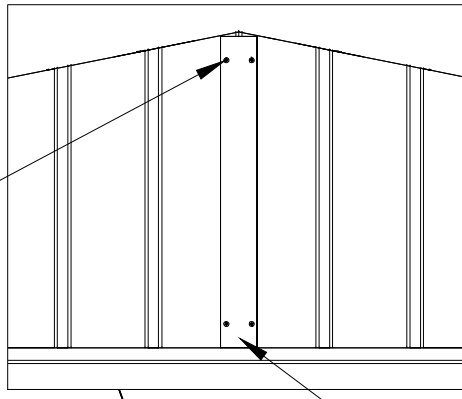


5



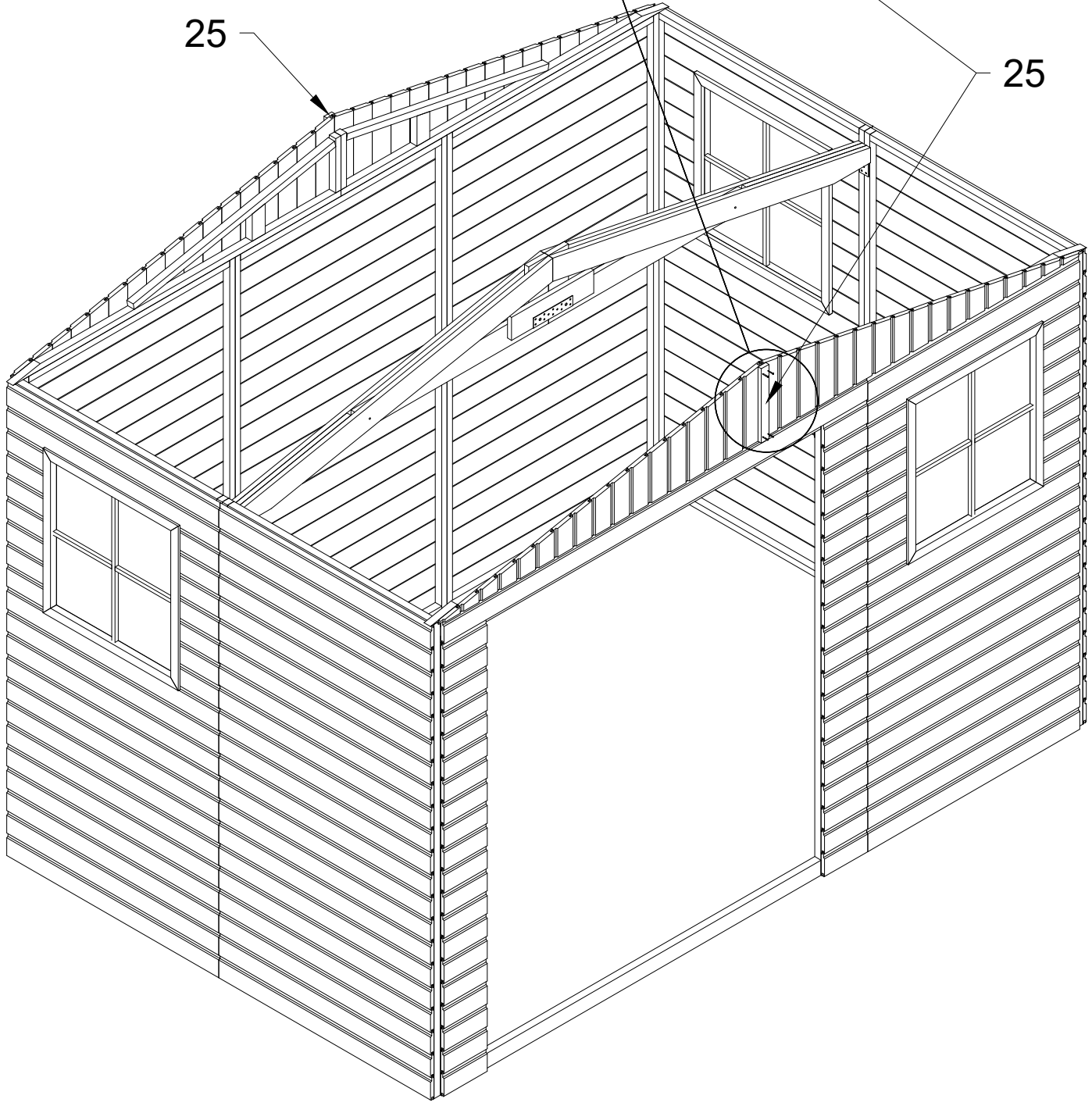
6

B x8

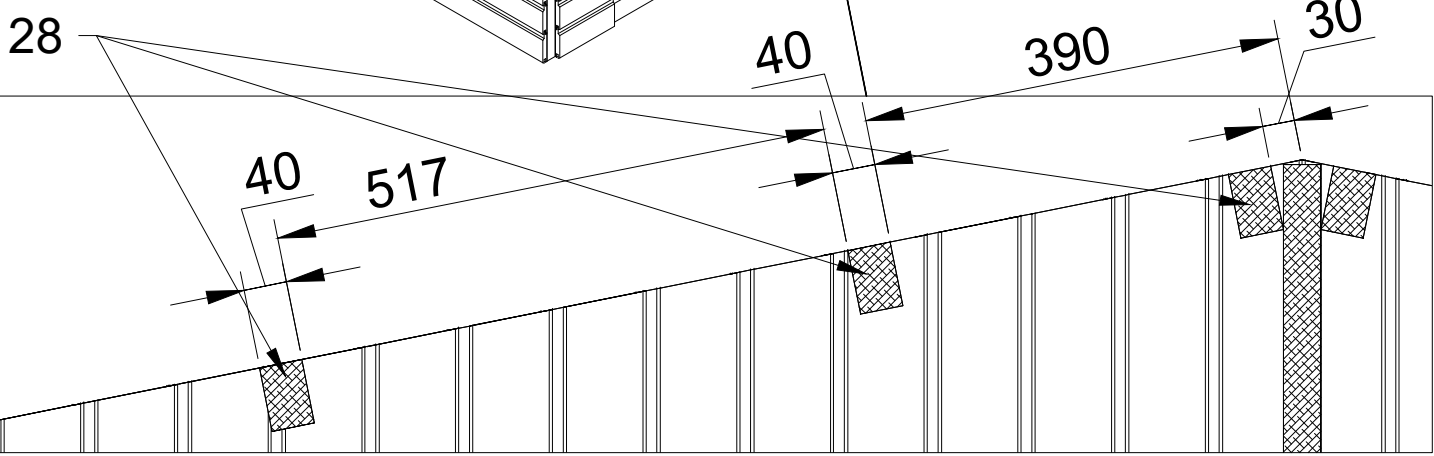
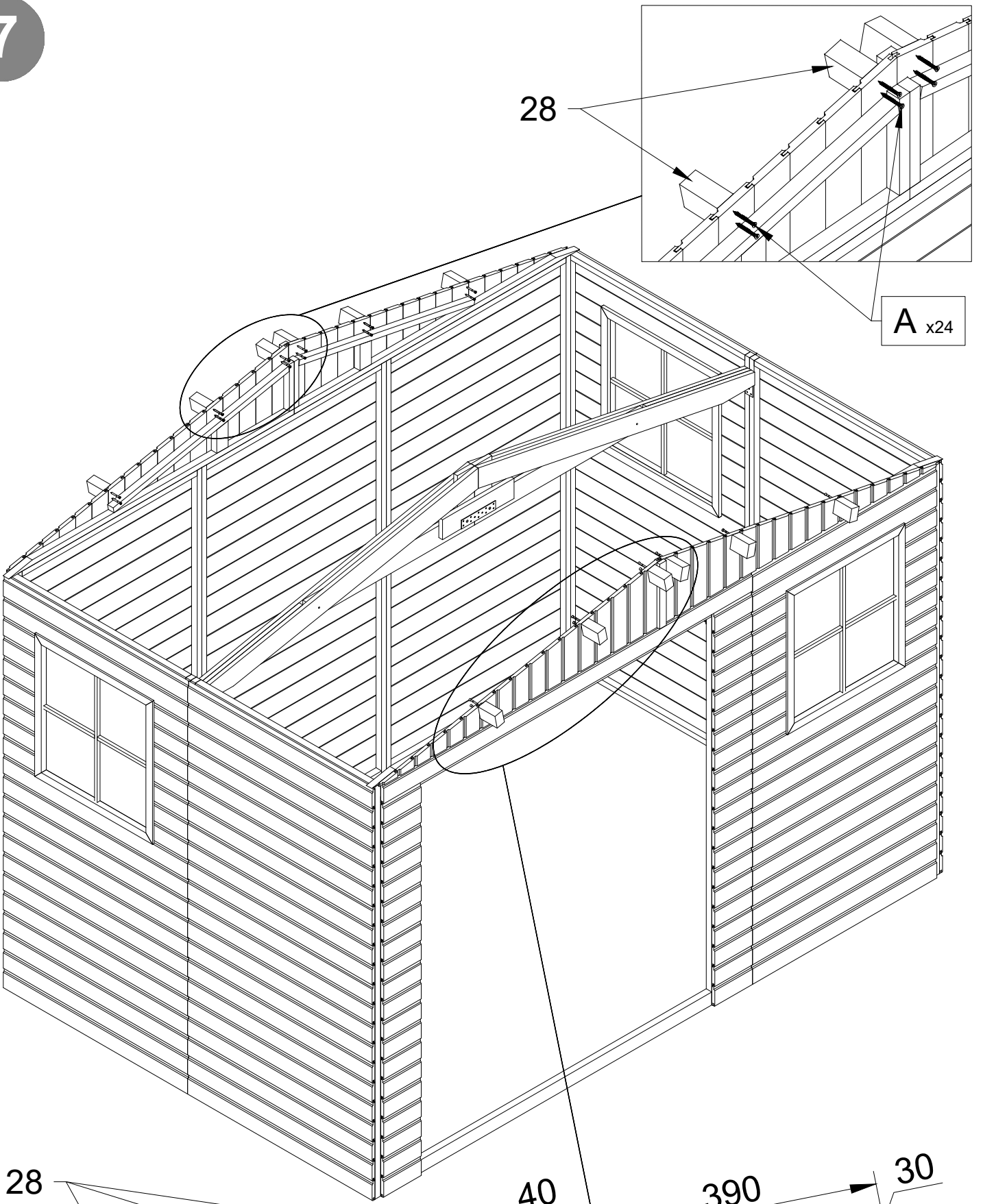


25

25



7



8

13

31

11

31

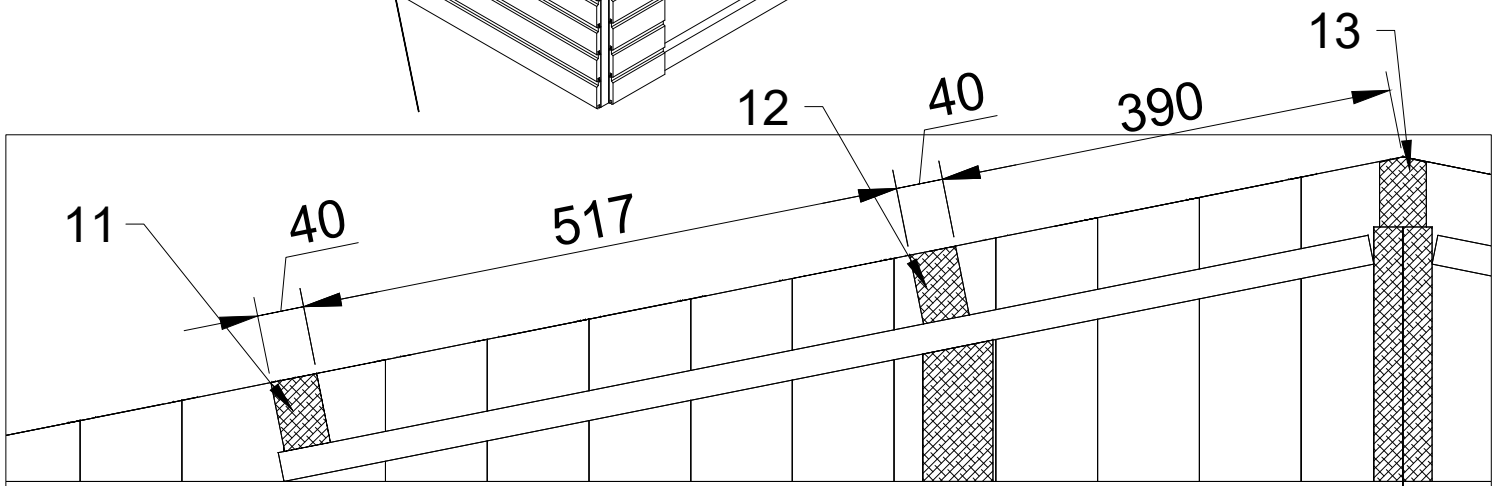
B x160

14

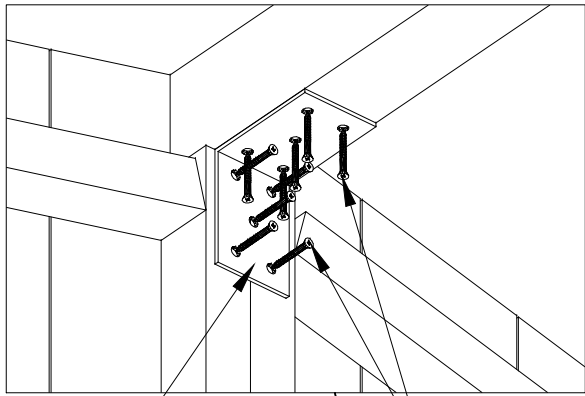
12

12

11

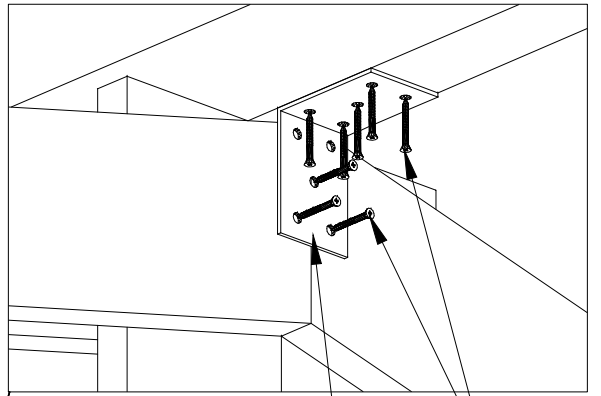


9



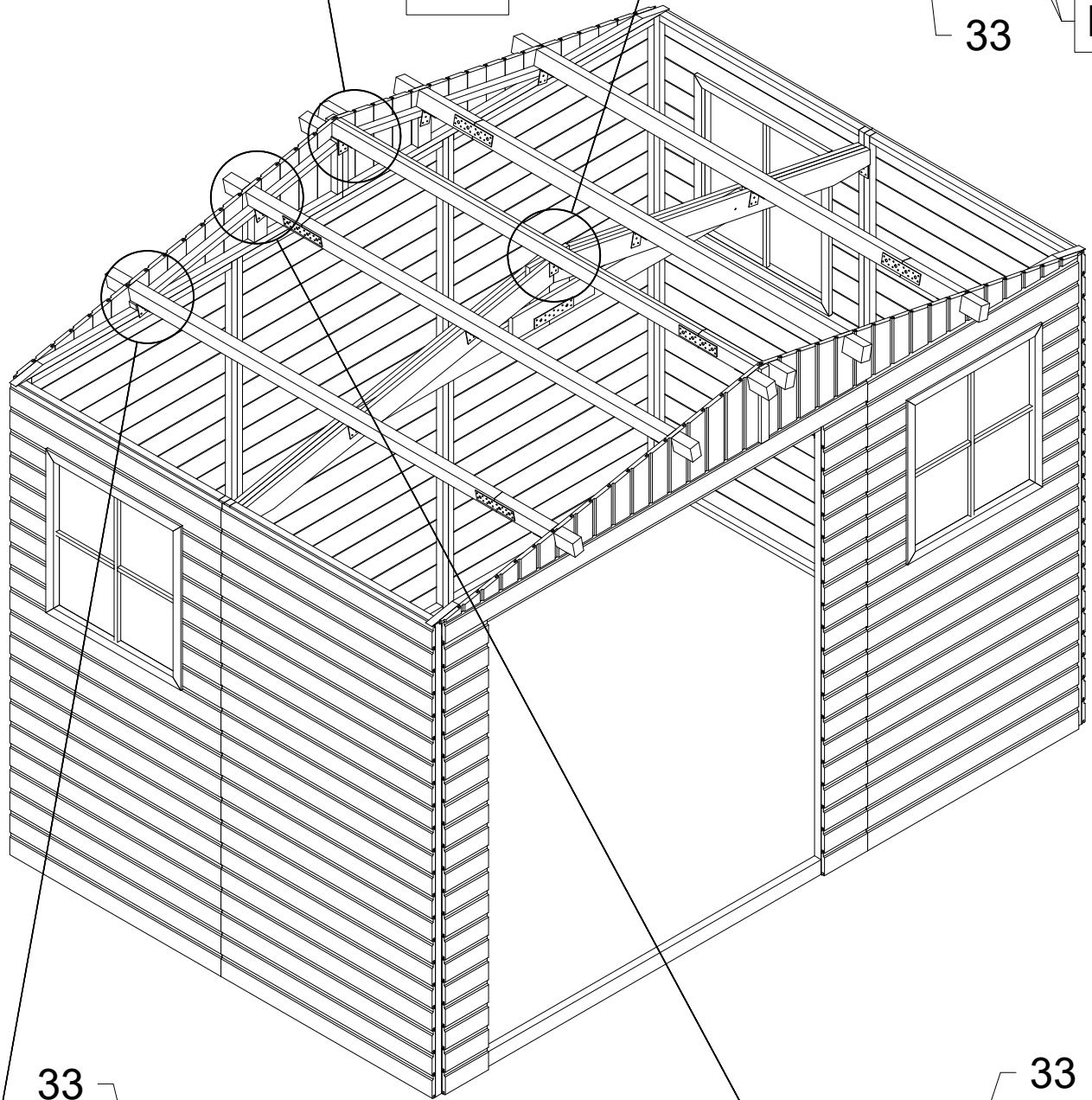
33

B x20



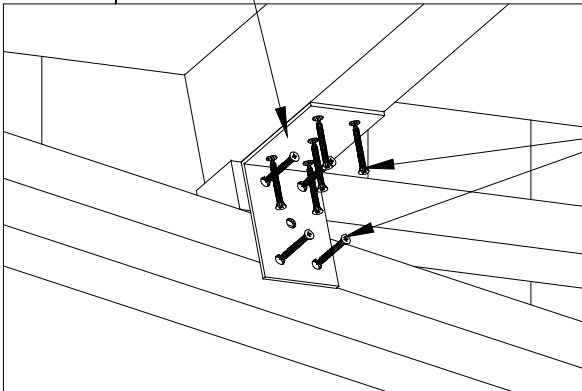
33

B x8

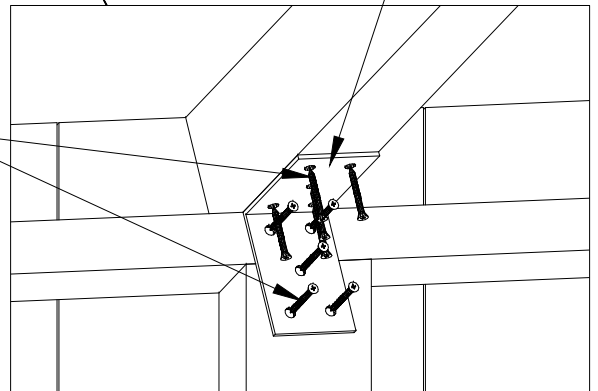


33

33

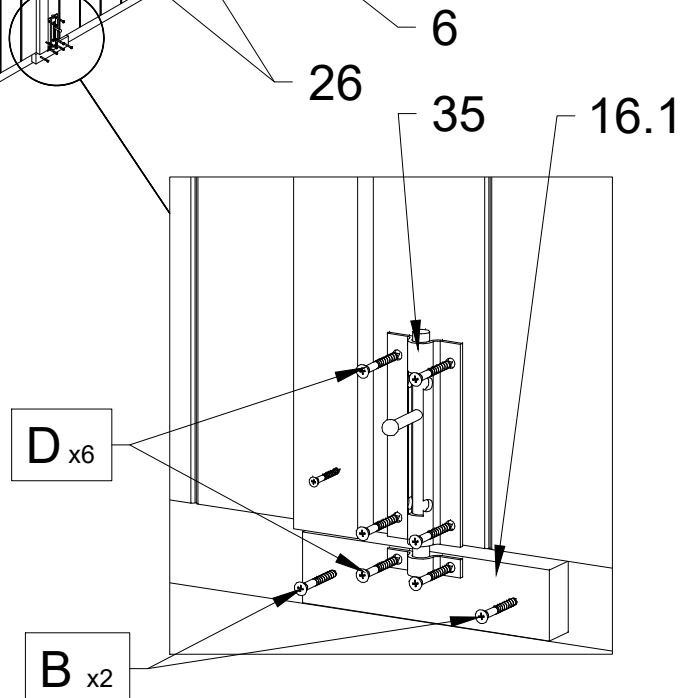
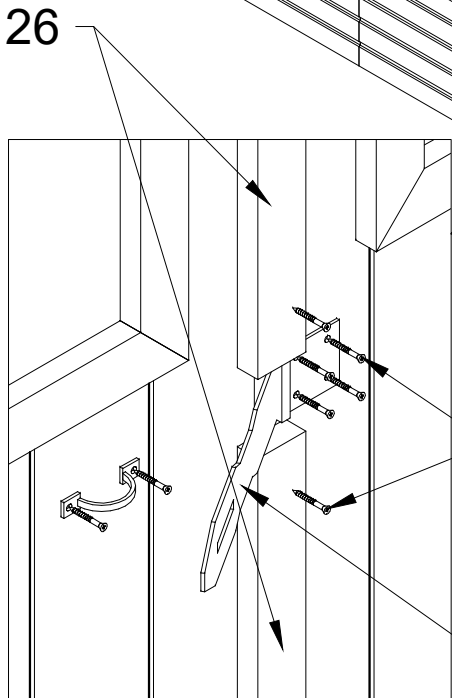
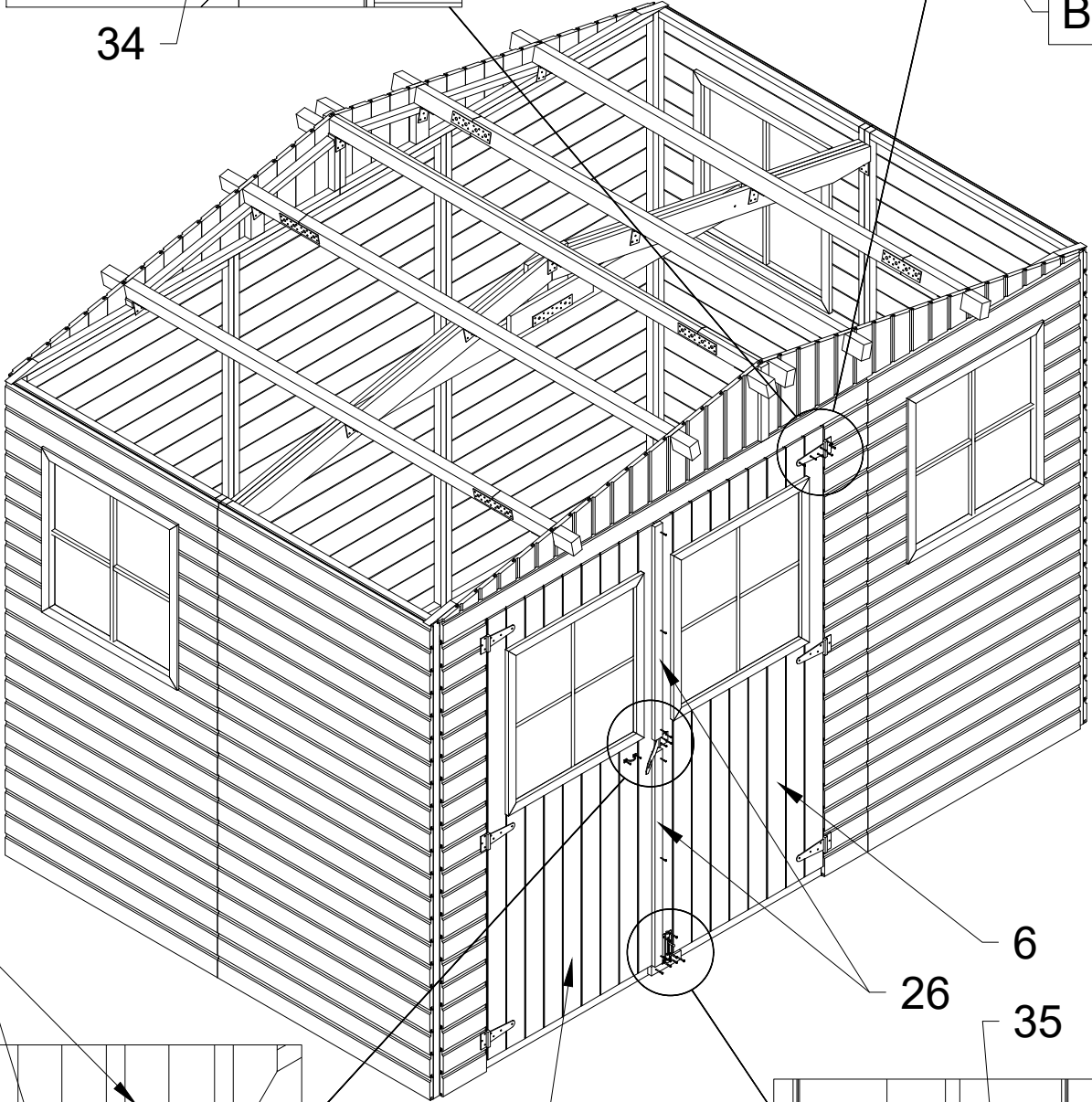
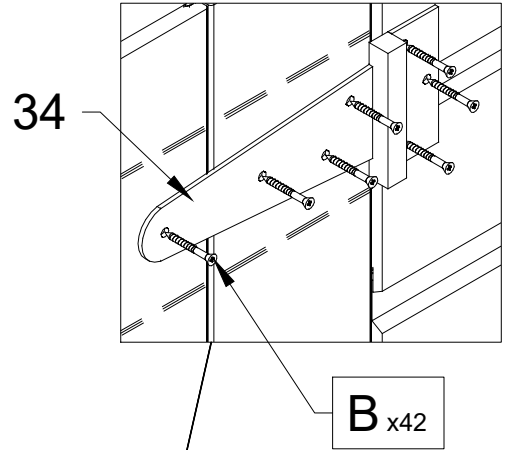
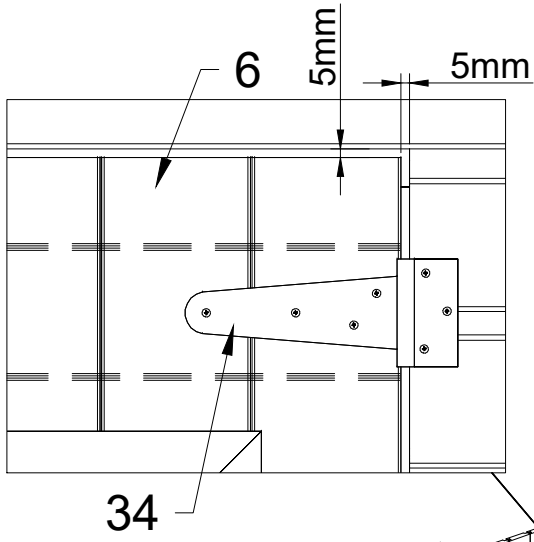


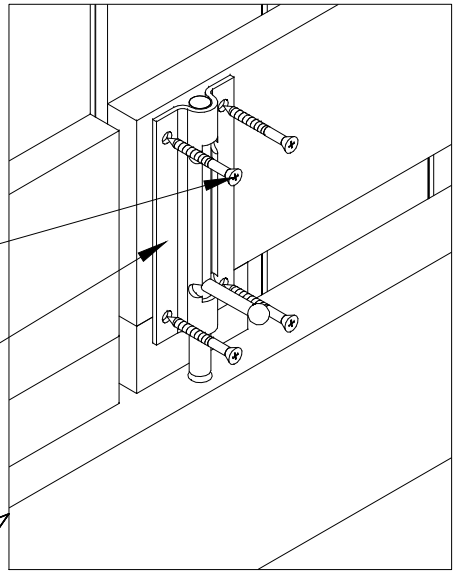
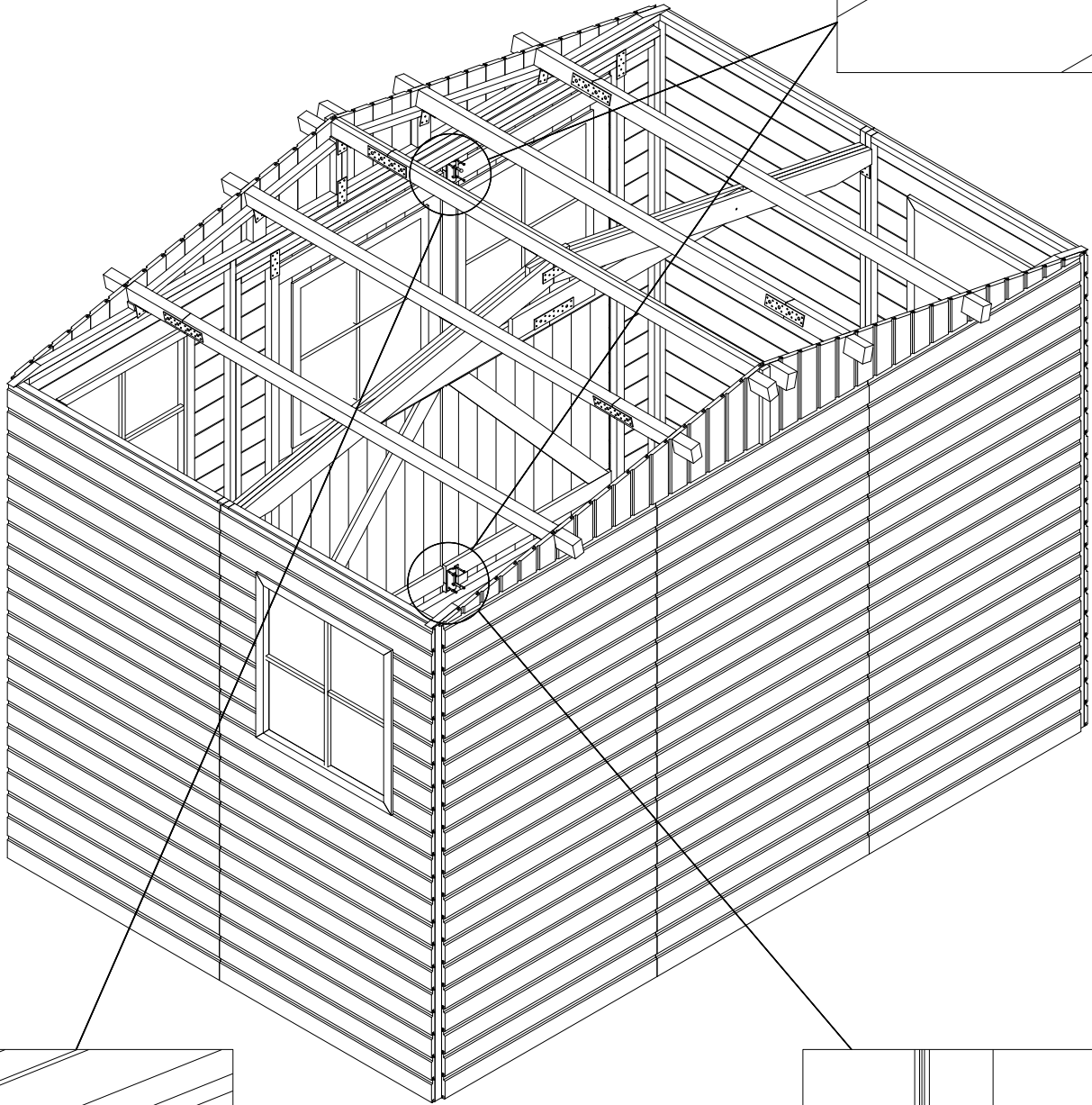
B x116



33

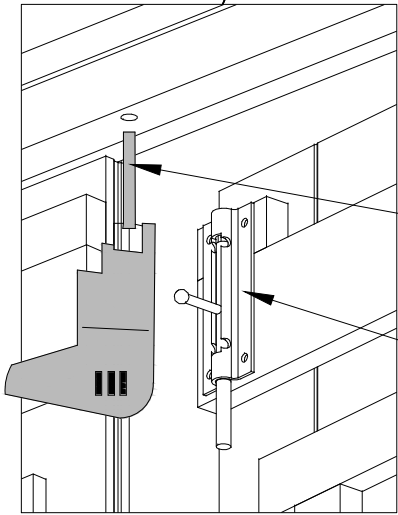
10





B x8

35



Ø12mm

35

