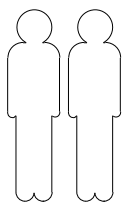
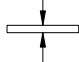
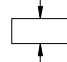
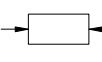
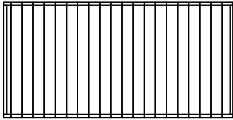
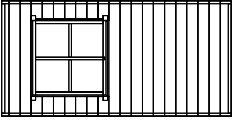
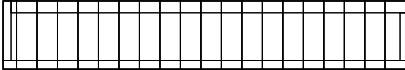
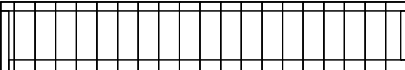
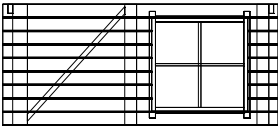
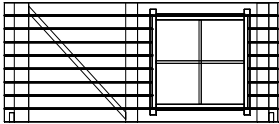
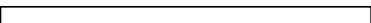
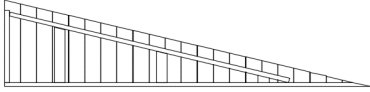
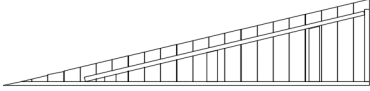


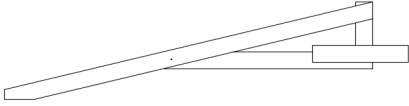


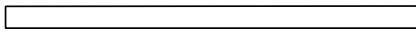

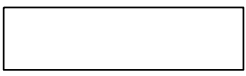
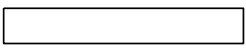



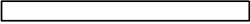


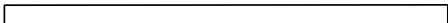


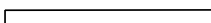

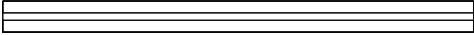


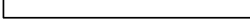
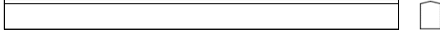
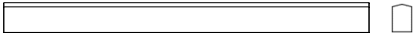

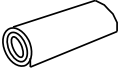




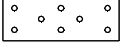

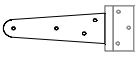
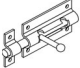
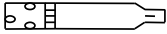
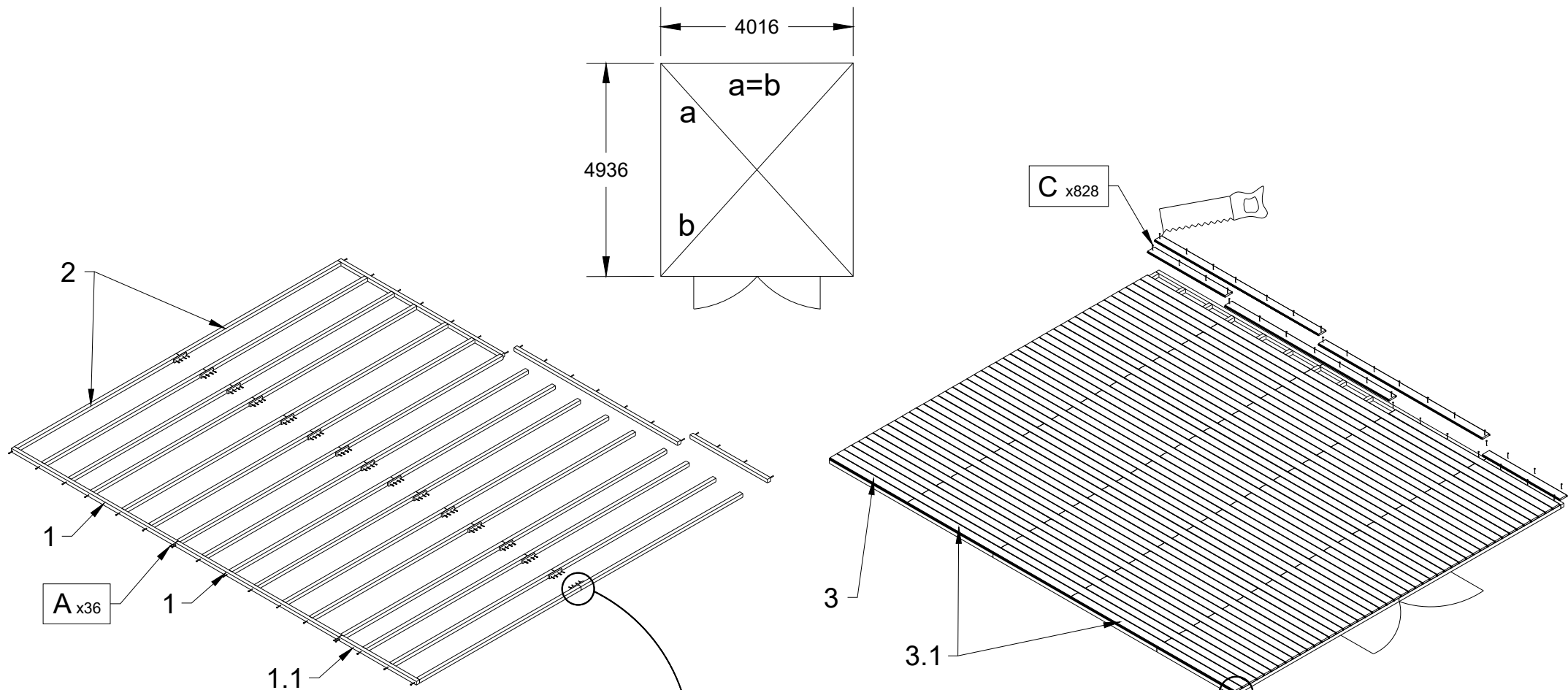


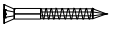


(A)	4x45	x 429
(B)	3x25	x 1390
(C)	1.4x25	x 56
(D)	3x20	x 60
(E)	3x40	x 24
(F)	10x70	x 8

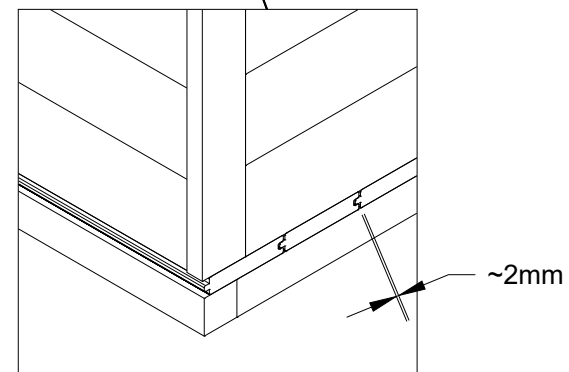
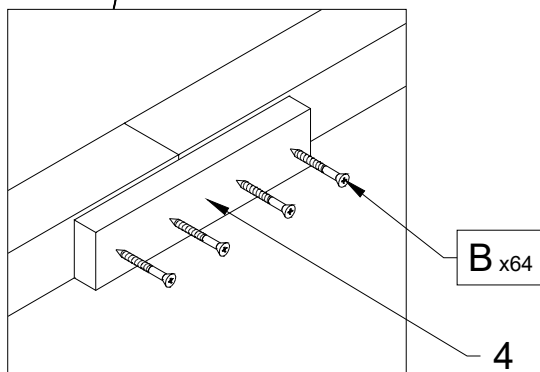


№		PCS	 mm	 mm	 mm
1		12		980	1900
2		4		980	1900
3		1		200	1814
4		1		200	1814
5		1		770	1760
6		1		770	1760
7		1	25	30	1560
8K		2		500	2005
8D		2		500	2005
9		1	30	60	1560
9.1		1	19	35	135
10		8		546	2150
11		12	40	60	1700
12		6	40	60	1500
13		6	17	47	1700
14		10	OSB	590	1810
14.1		10	OSB	390	1810
14.2		2	OSB	200	1810

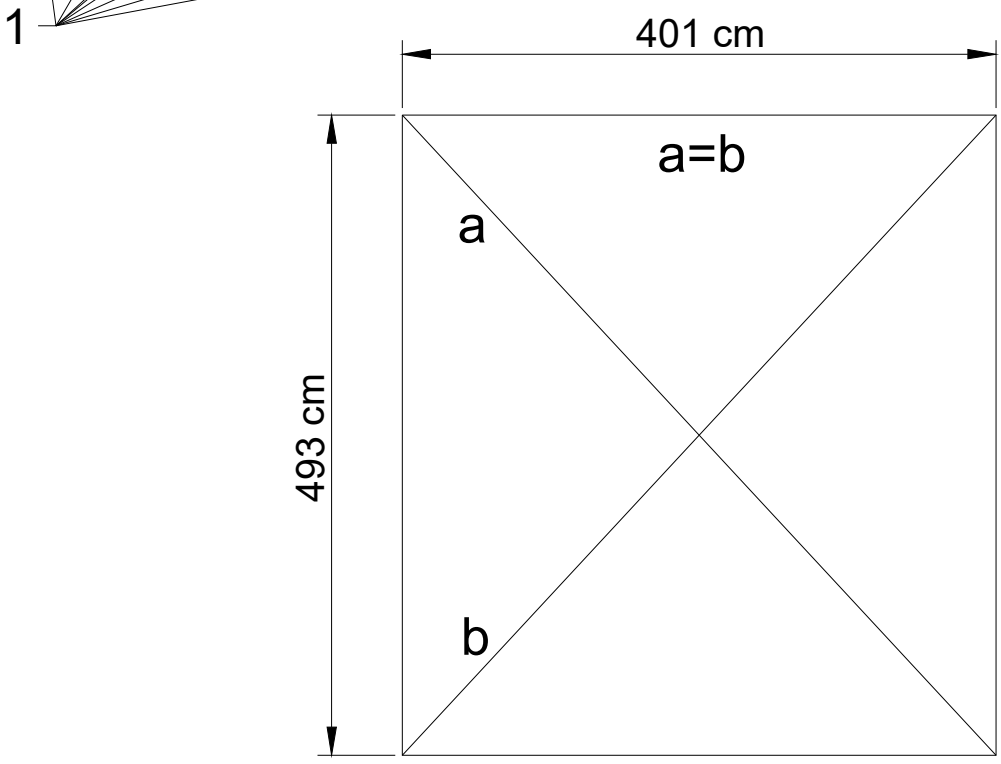
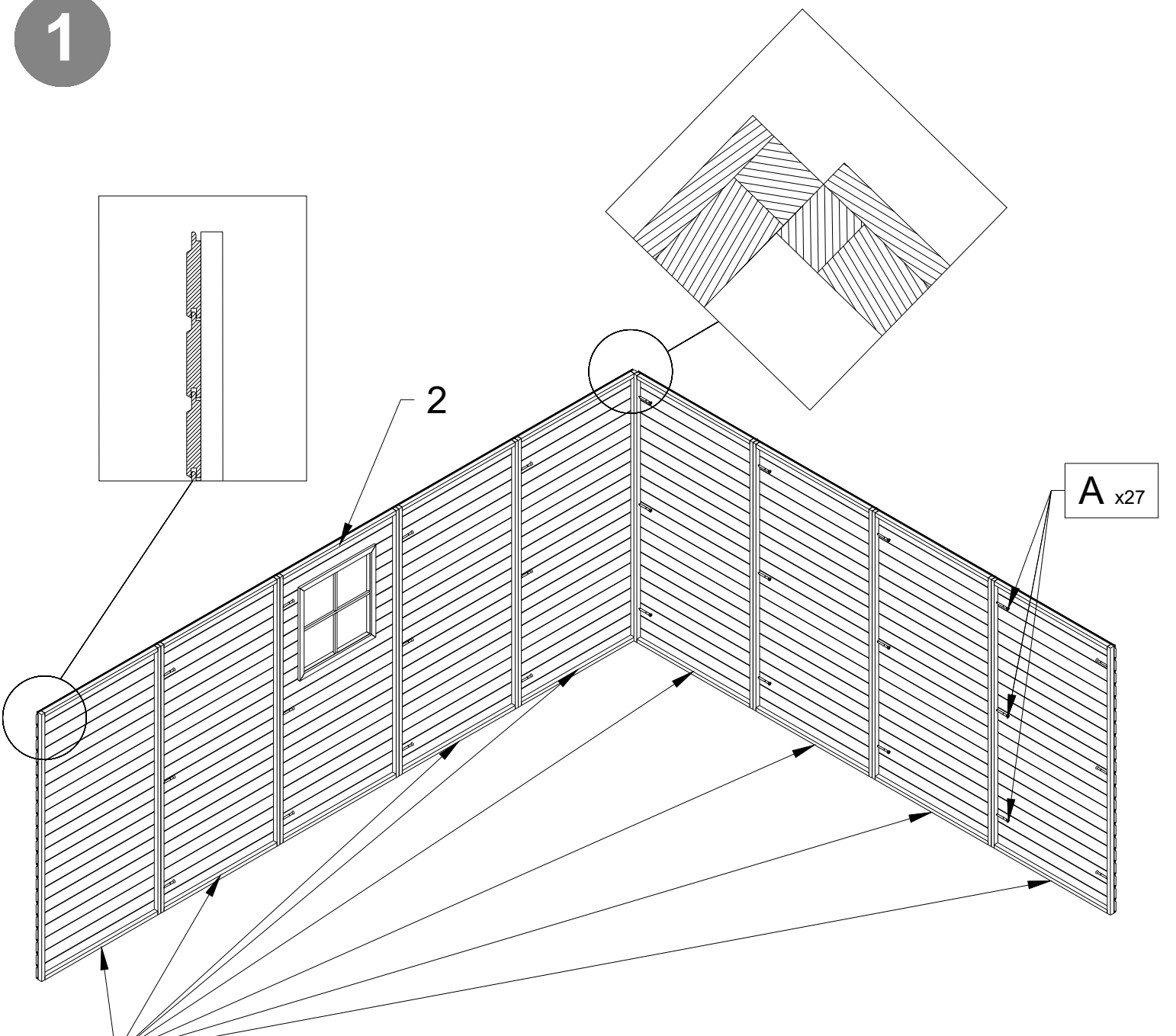
15		10	OSB	340	590
15.1		10	OSB	340	390
15.2		2	OSB	200	340
16		10	OSB	35	1020
17		4	13	92	2160
18		14	15	35	2130
19		8	15	35	1835
20		4	17	47	1900
21		2	15	35	495
22		2	15	35	855
23		2	15	75	145
24		1		89	1960
25		5	15	35	1900
26		16	40	60	84
27		10	15	35	1020
28		2	40	60	1700
28.1		1	40	60	1500
29		8	30	60	275
30		1		0,5m	4,45m
31	2x10m   → 4x5,0m	4		1 m	4.45m
		1		1 m	4.45m
32		36			
33		9			
34		50			
35		6			
36		3			
37		1			



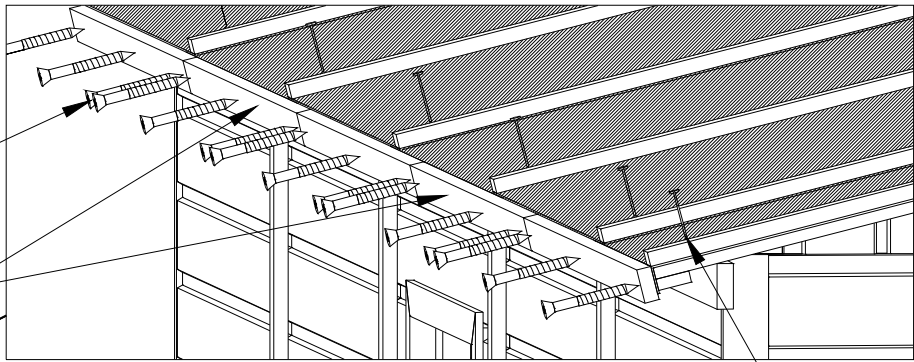
№	PCS	DIMENSIONS		
1	4	38	38	1996
1.1	2	38	38	944
2	32	38	38	1970
3	46	19	92	944
3.1	92	19	92	1996
4	16	12	35	150
A	36		M4x70	
B	64		M4x45	
C	828		V11,4x40	



1



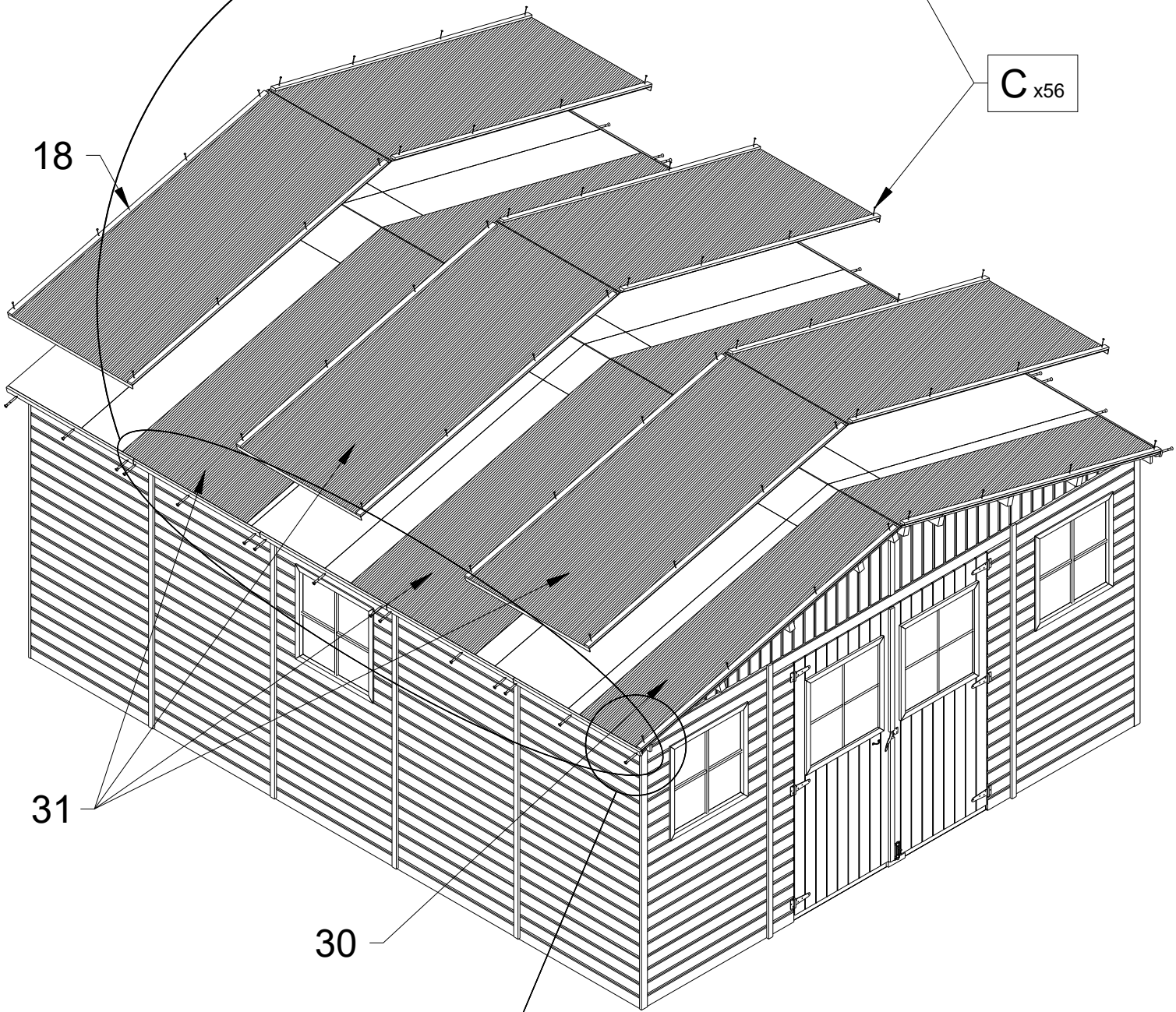
14



B x30

27

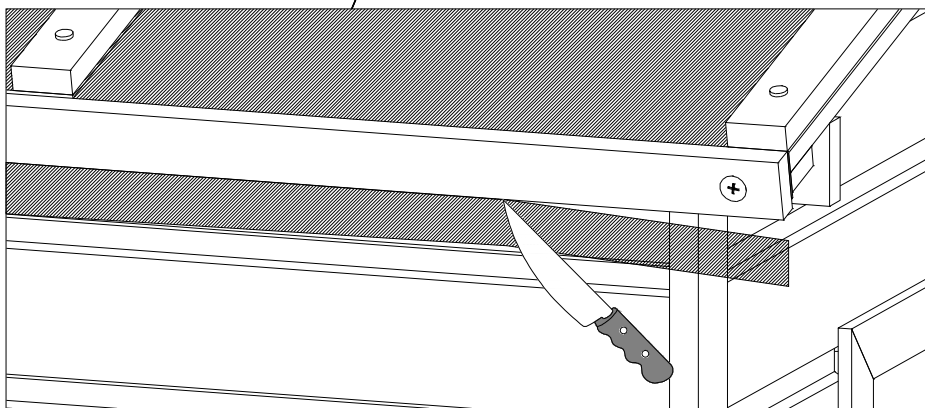
C x56

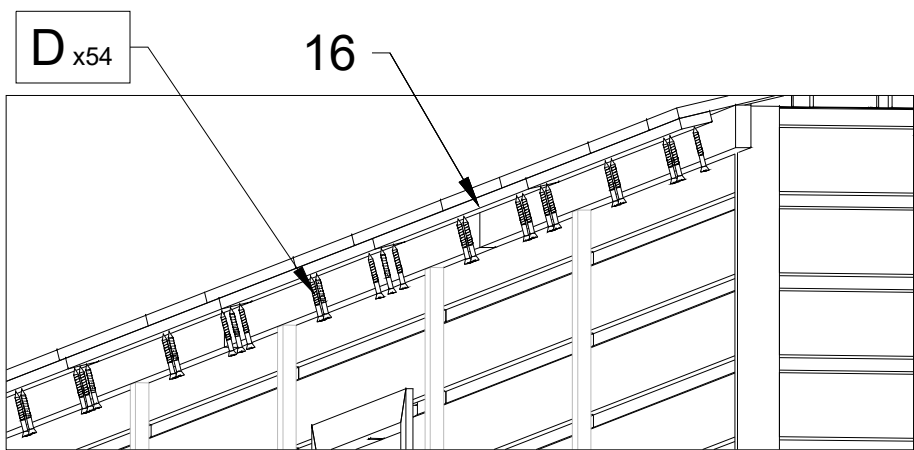
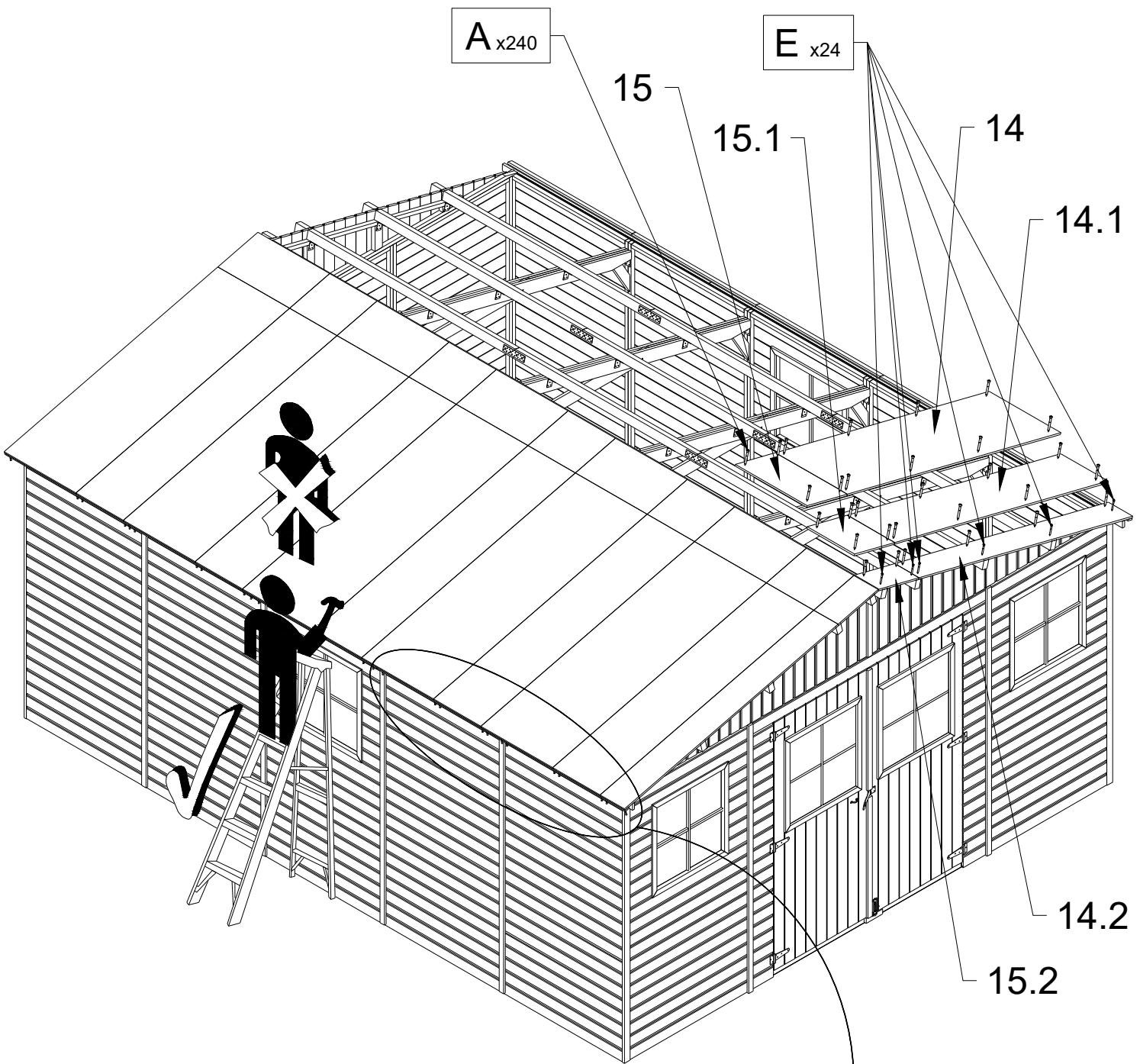


18

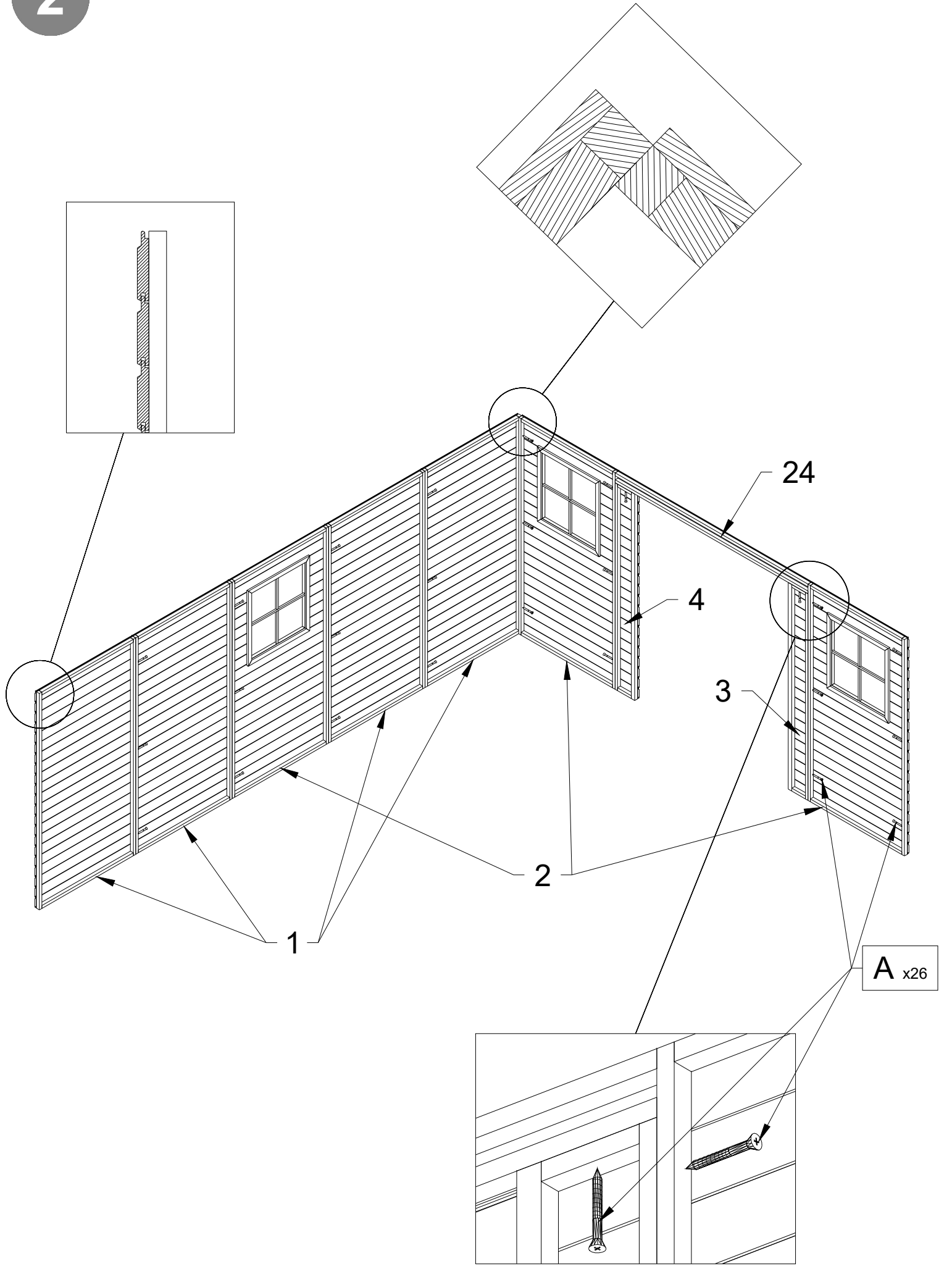
31

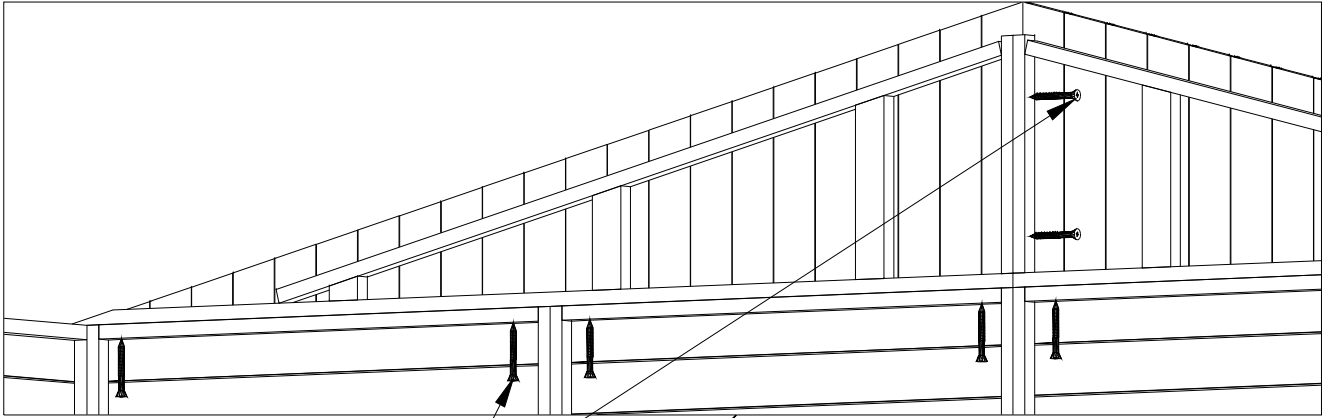
30



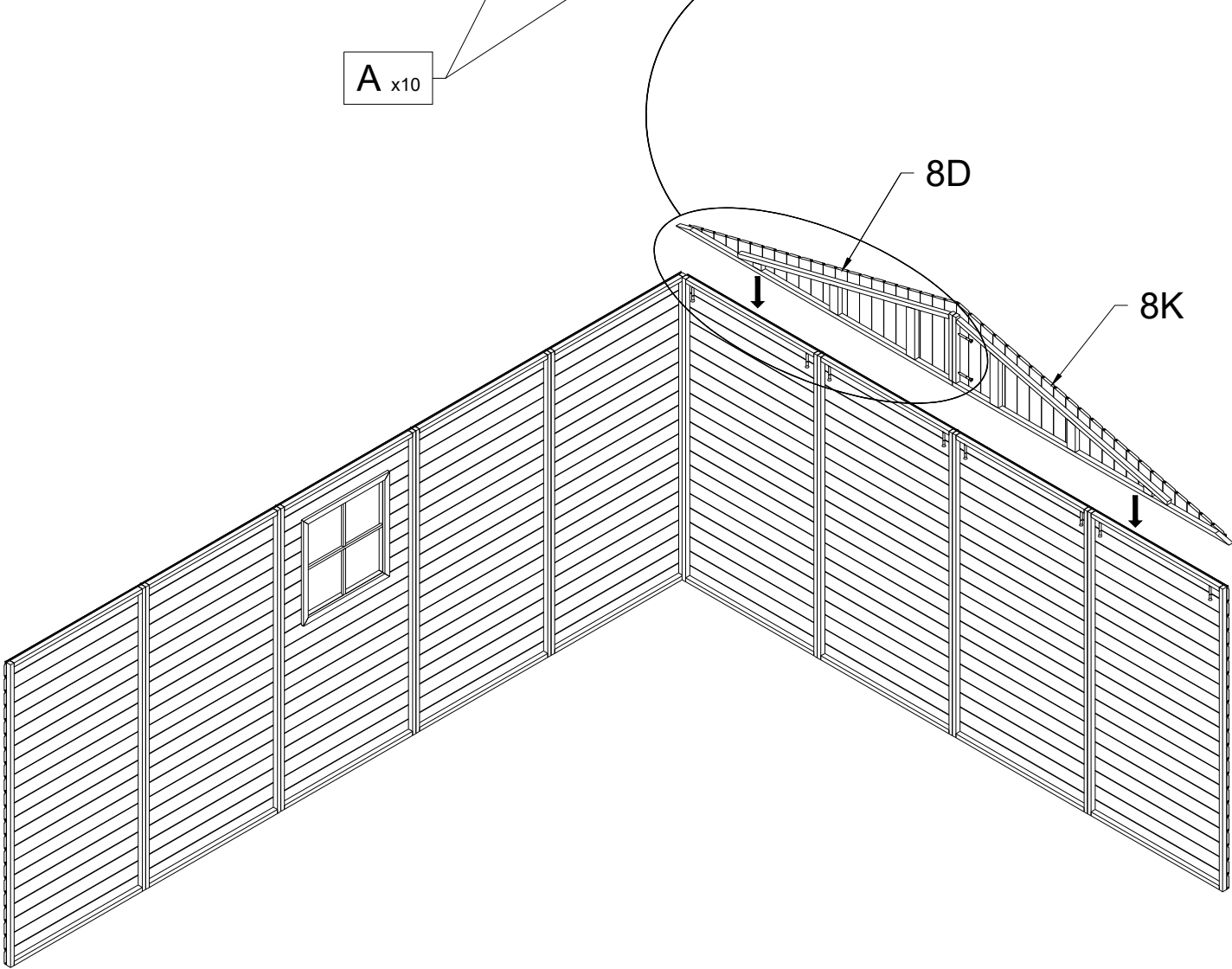


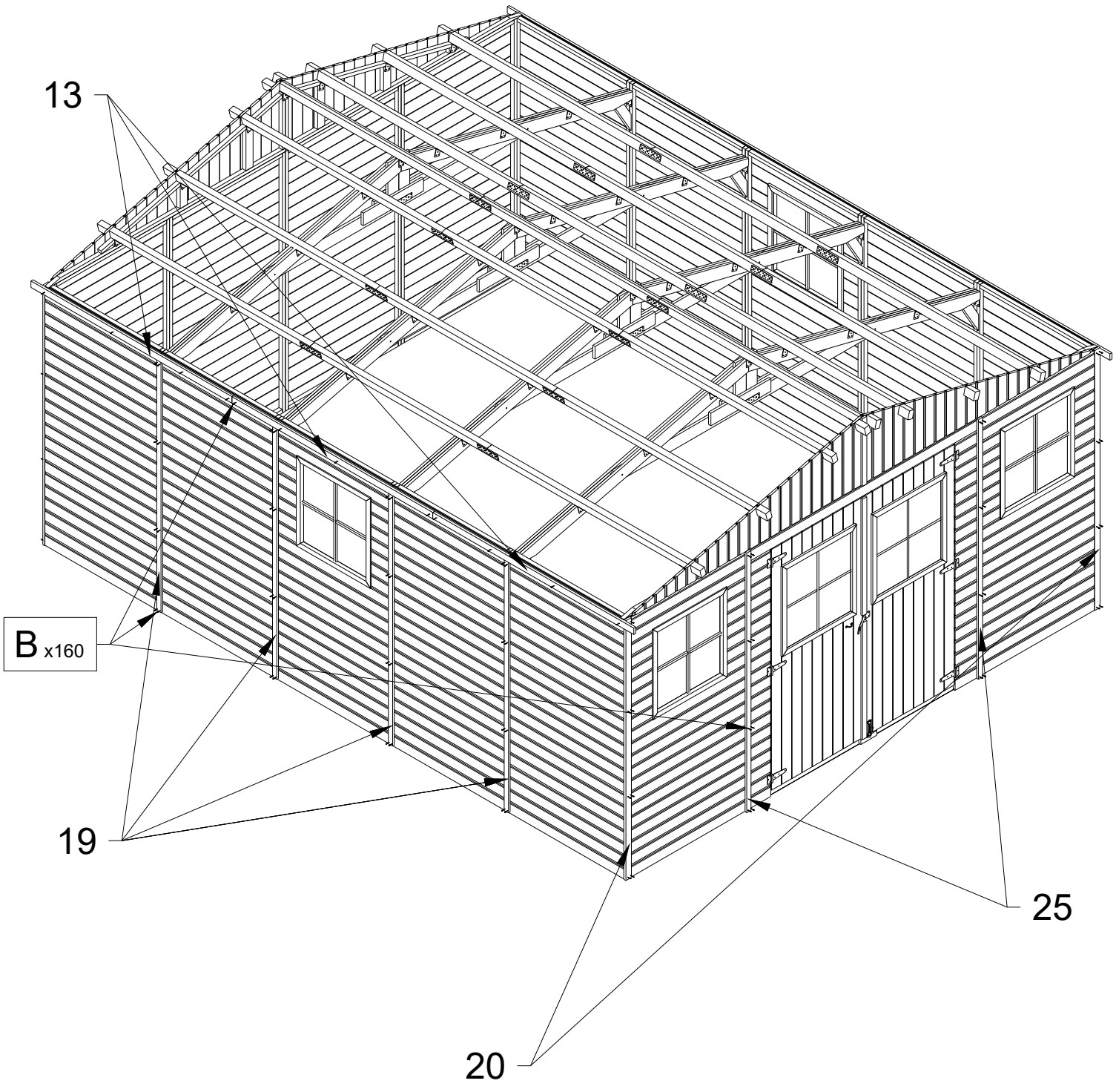
2

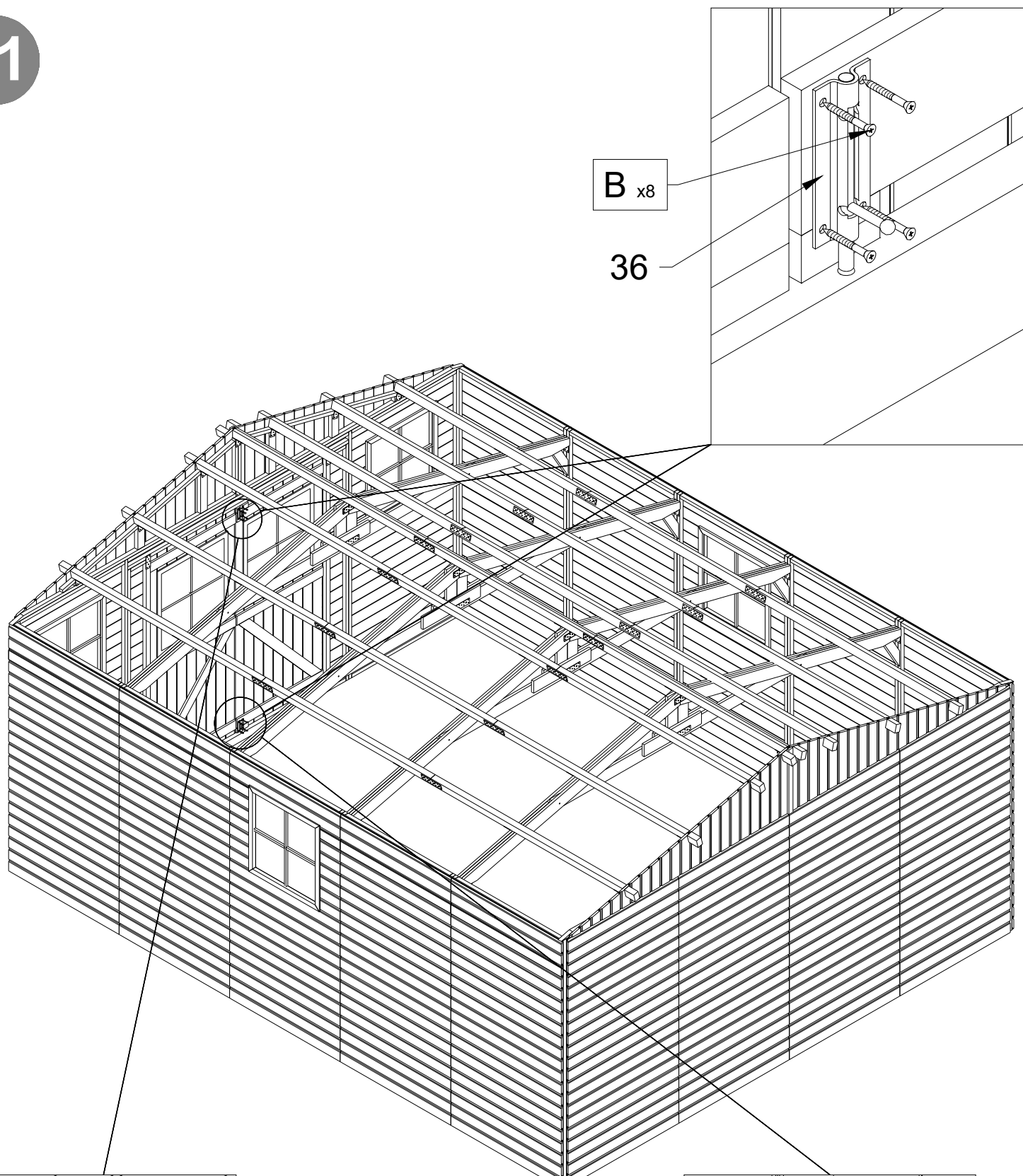




A x10

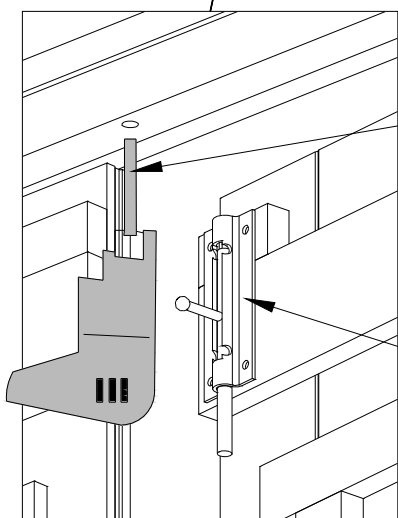
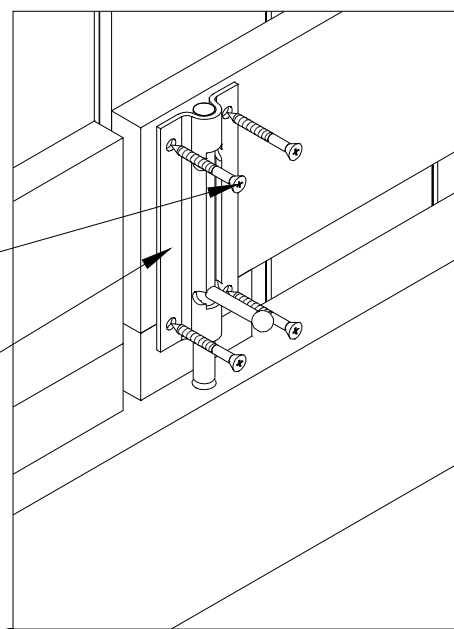






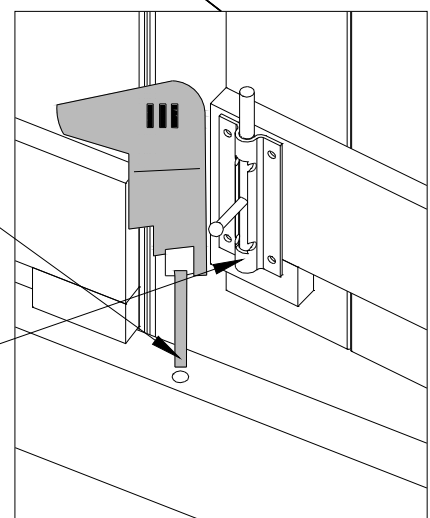
B x8

36

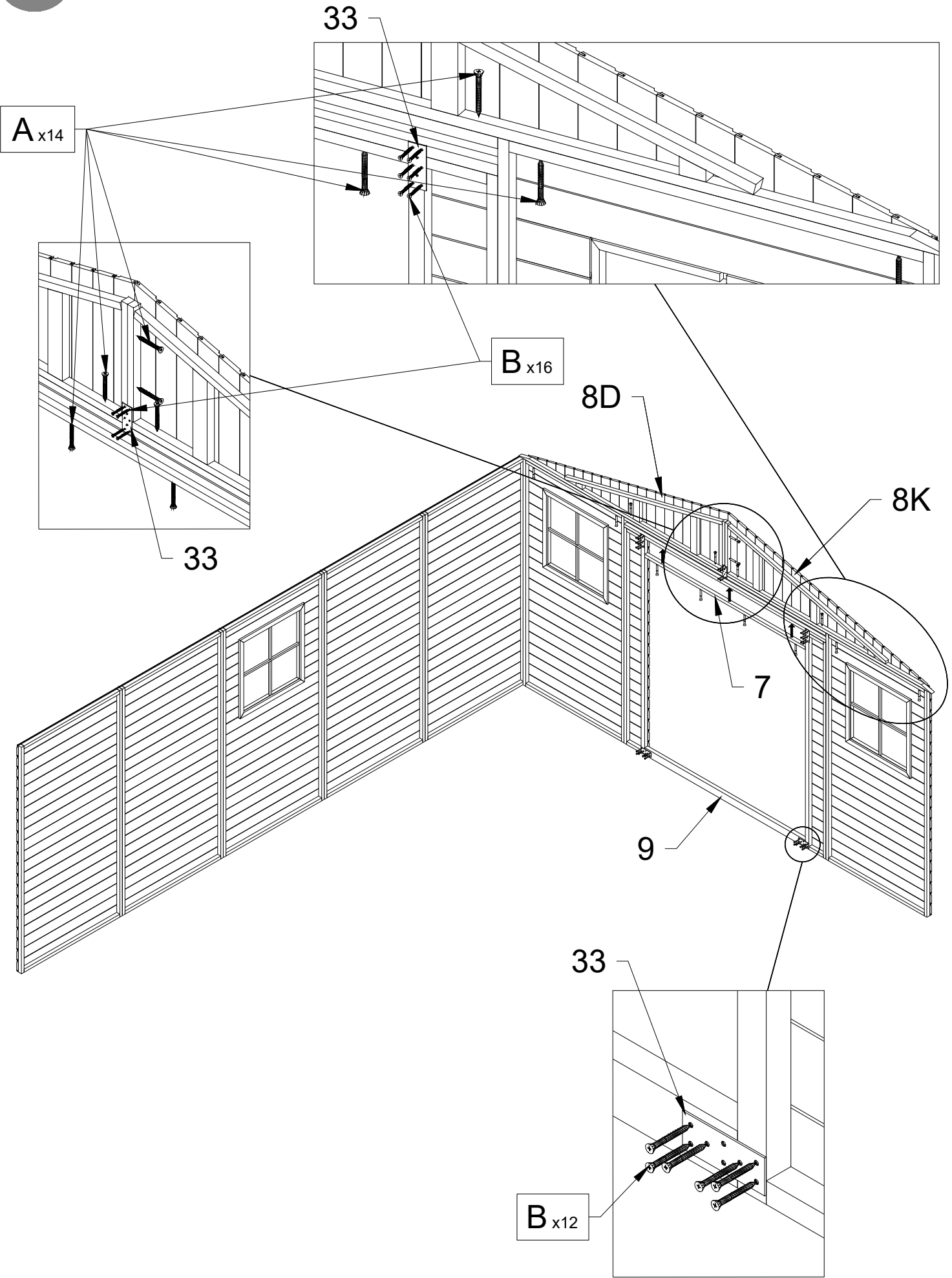


Ø12mm

36



4



5

F_{x8}

32

33

B_{x152}

A_{x24}

A_{x24}

10

Ø10

A_{x32}

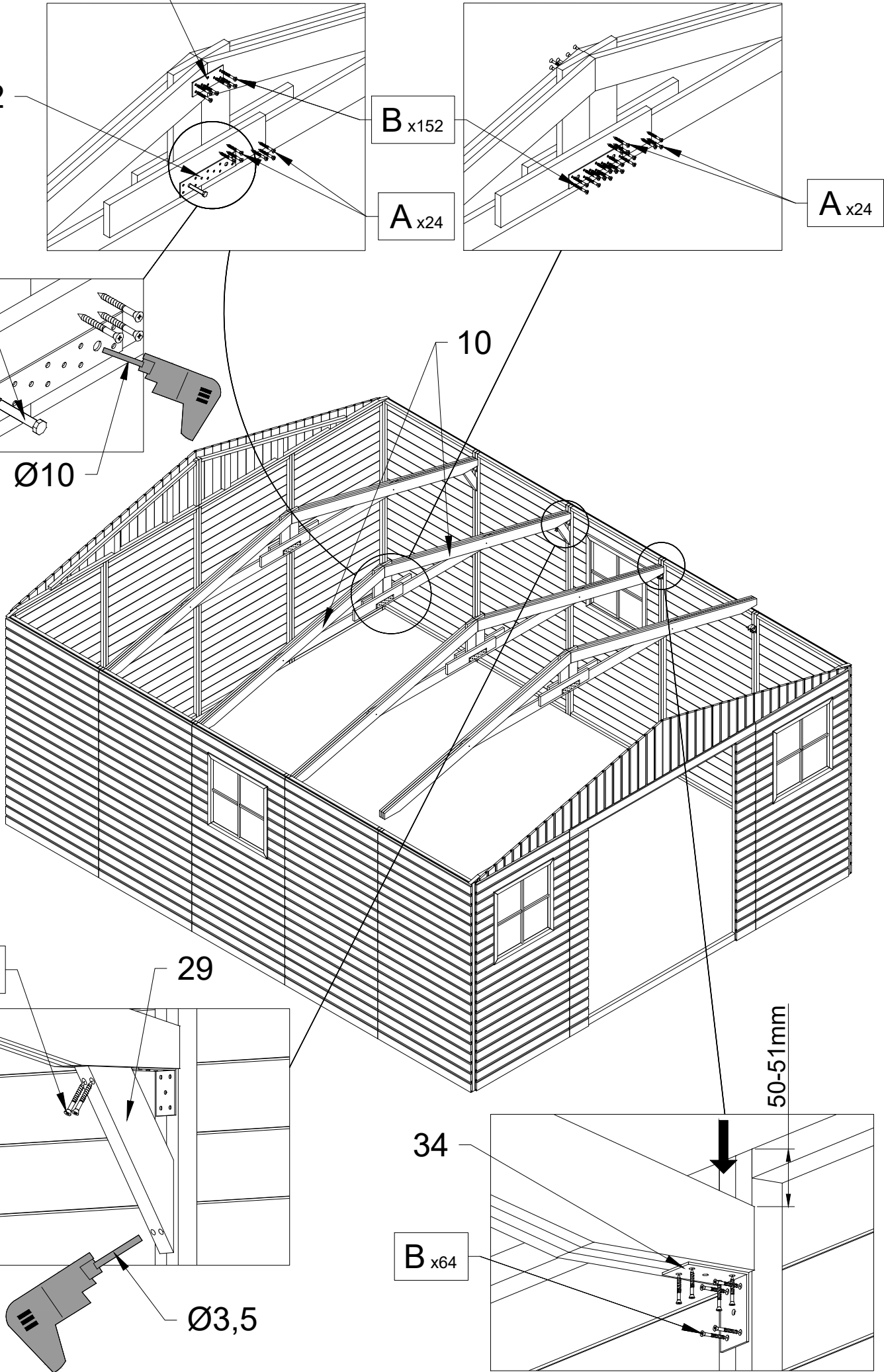
29

Ø3,5

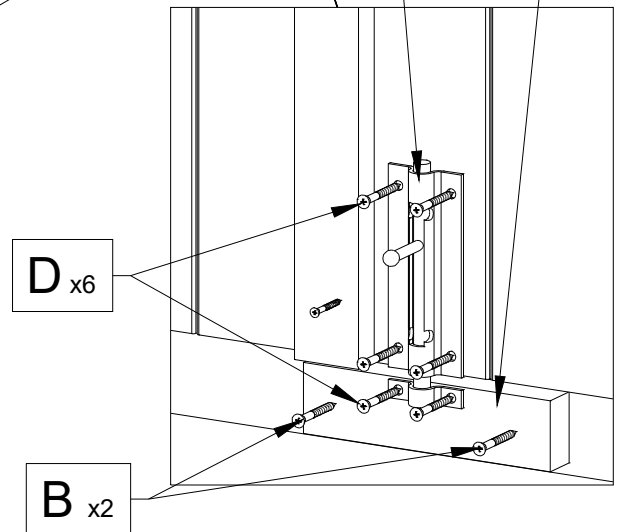
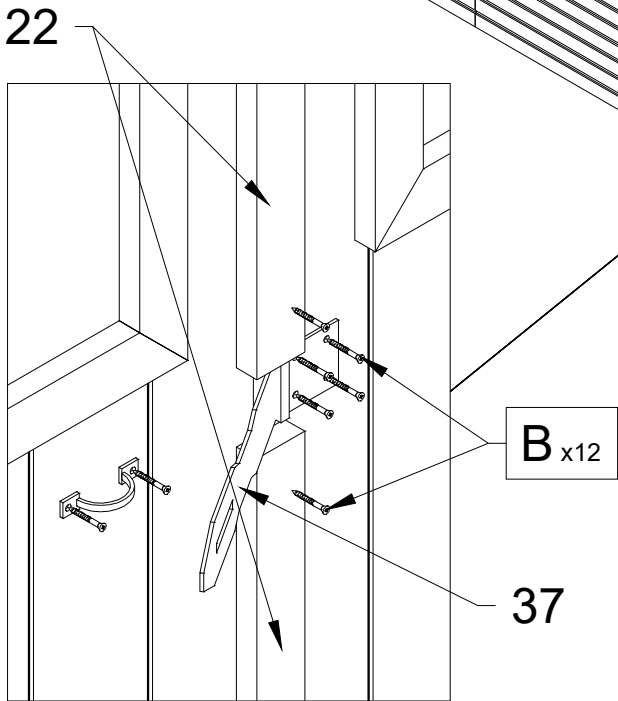
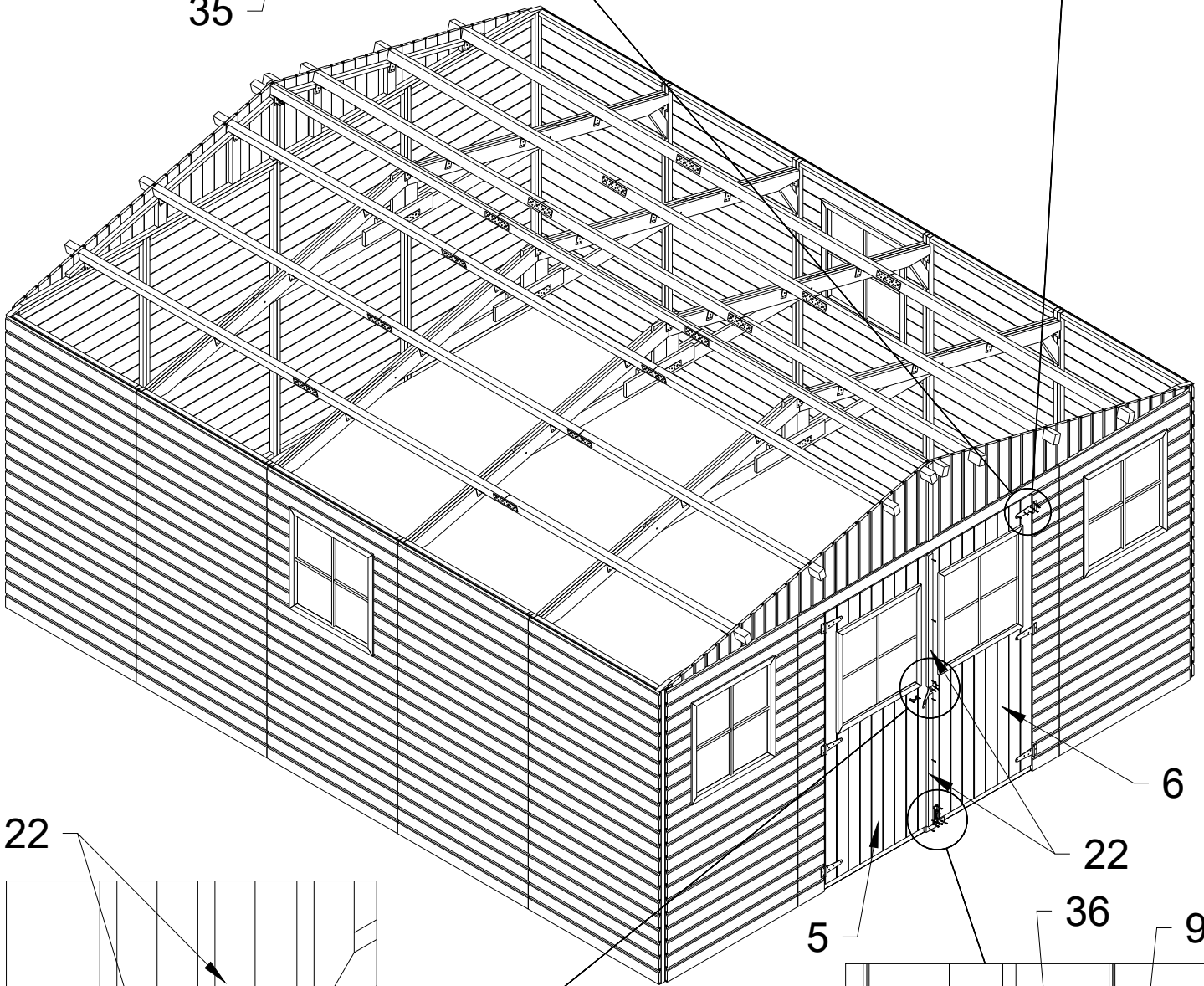
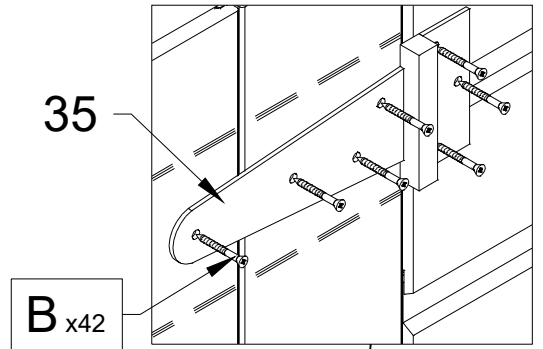
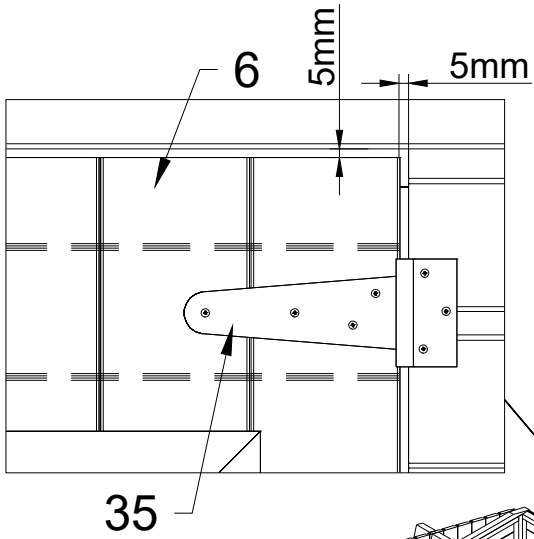
34

B_{x64}

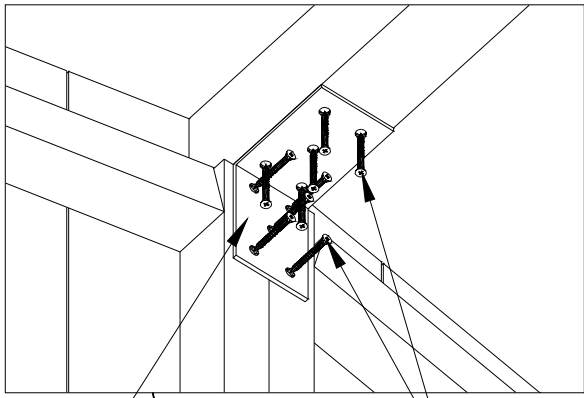
50-51mm



10

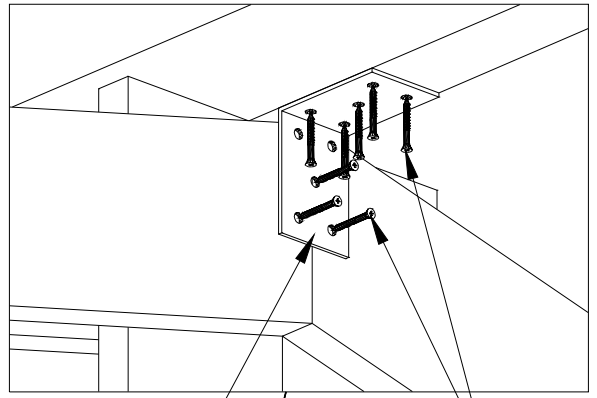


9



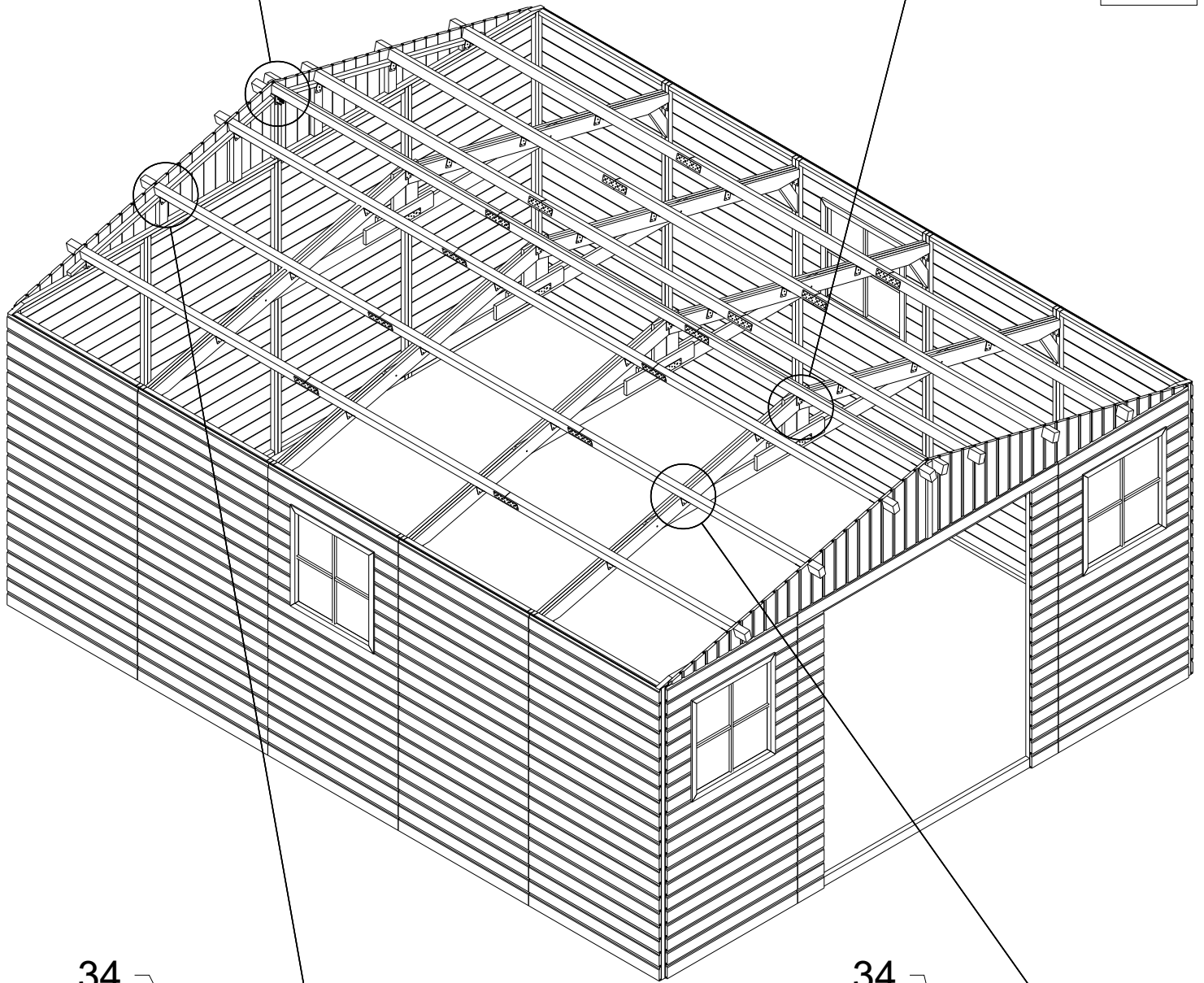
34

B x20



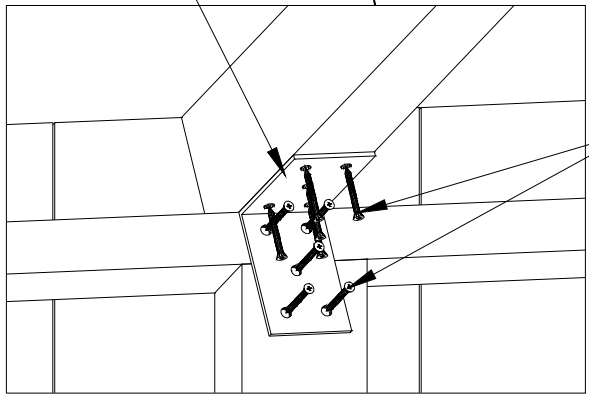
34

B x32

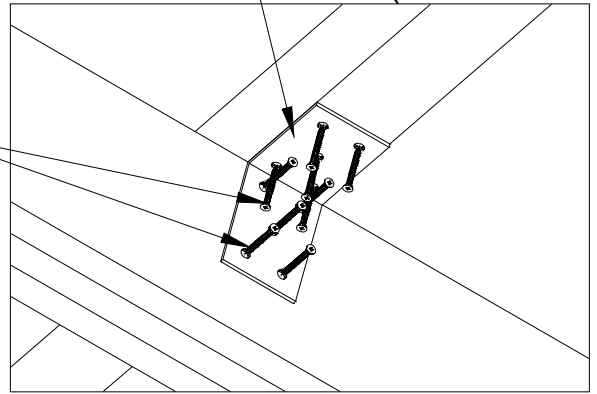


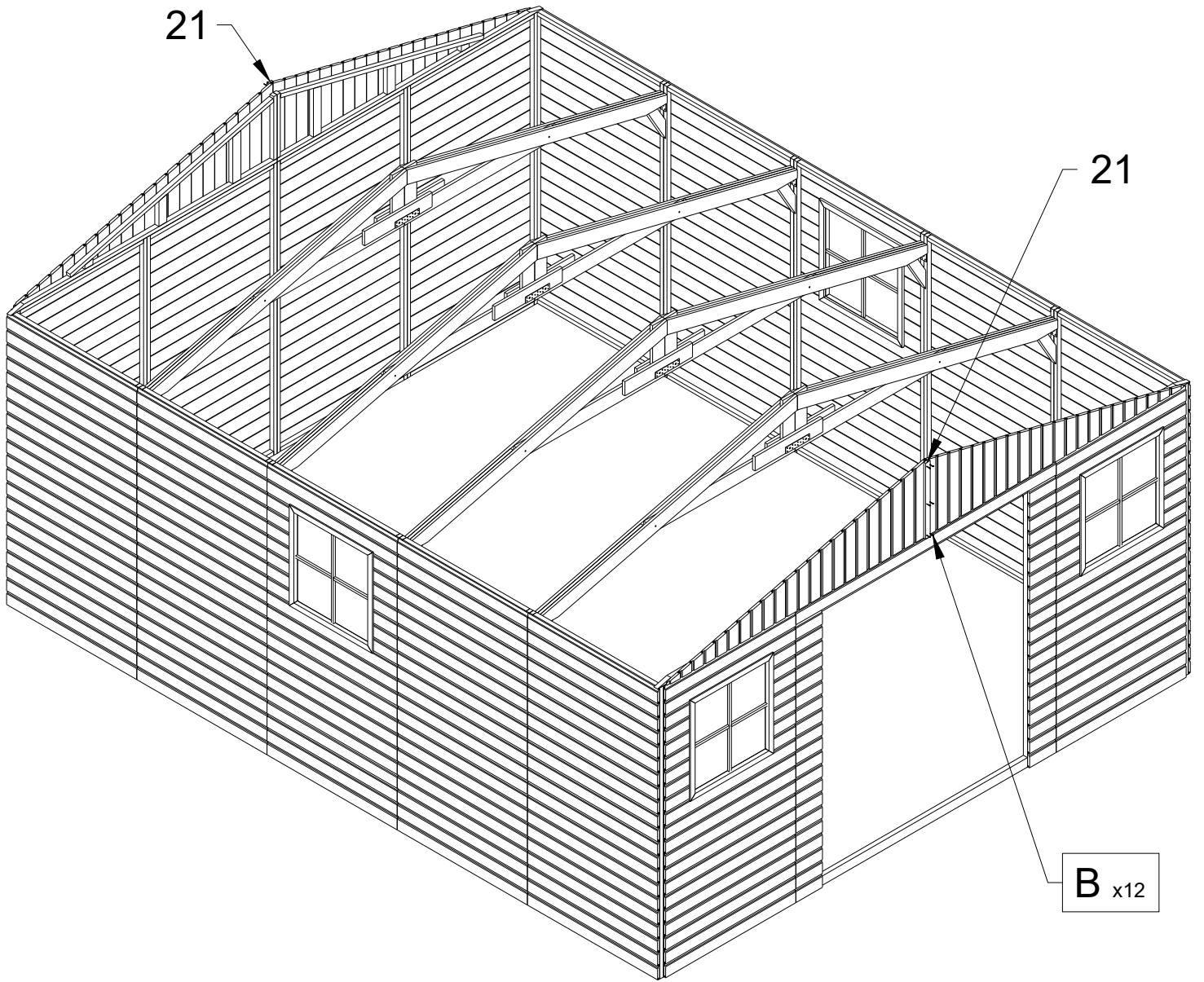
34

B x360

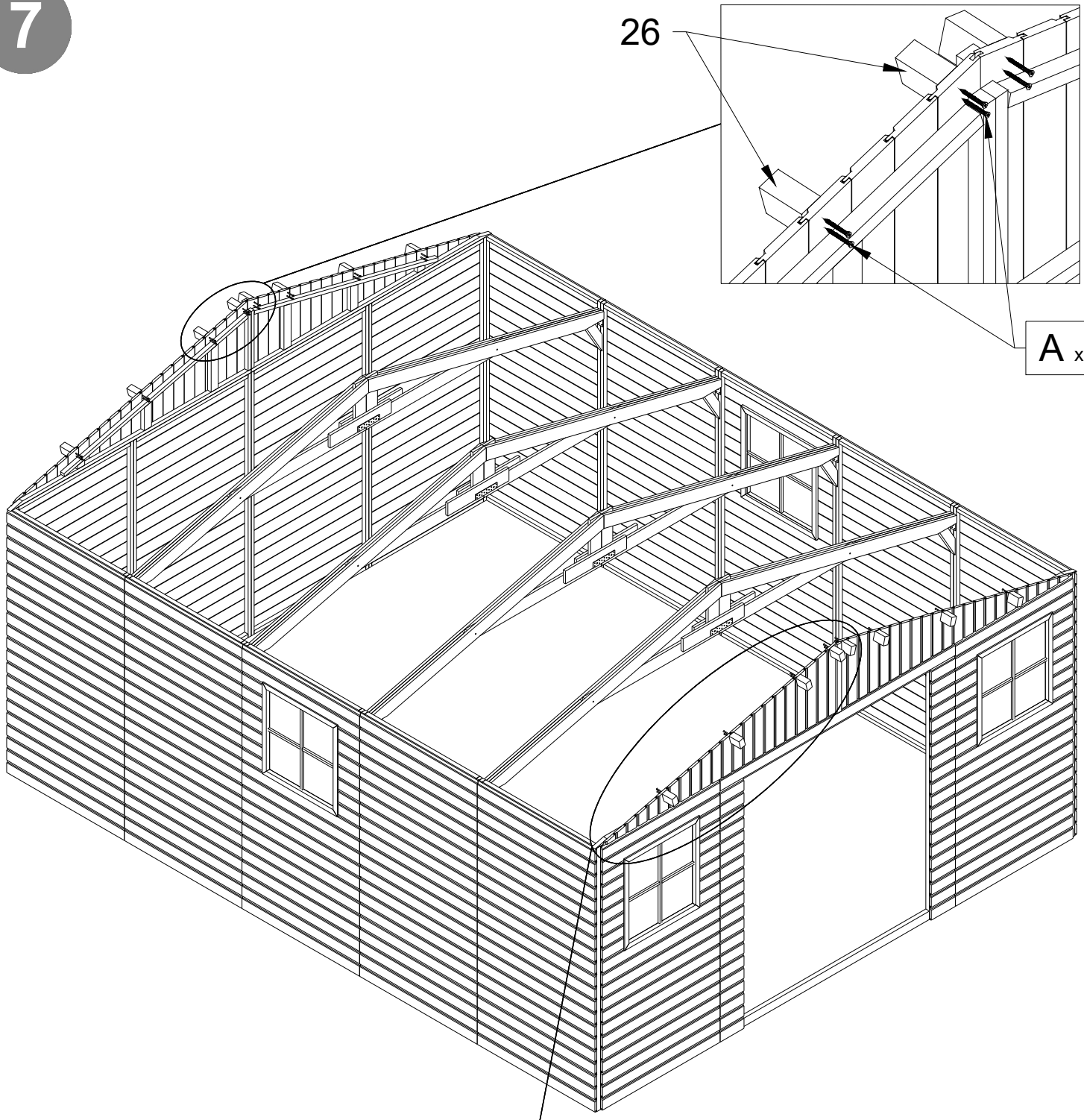


34



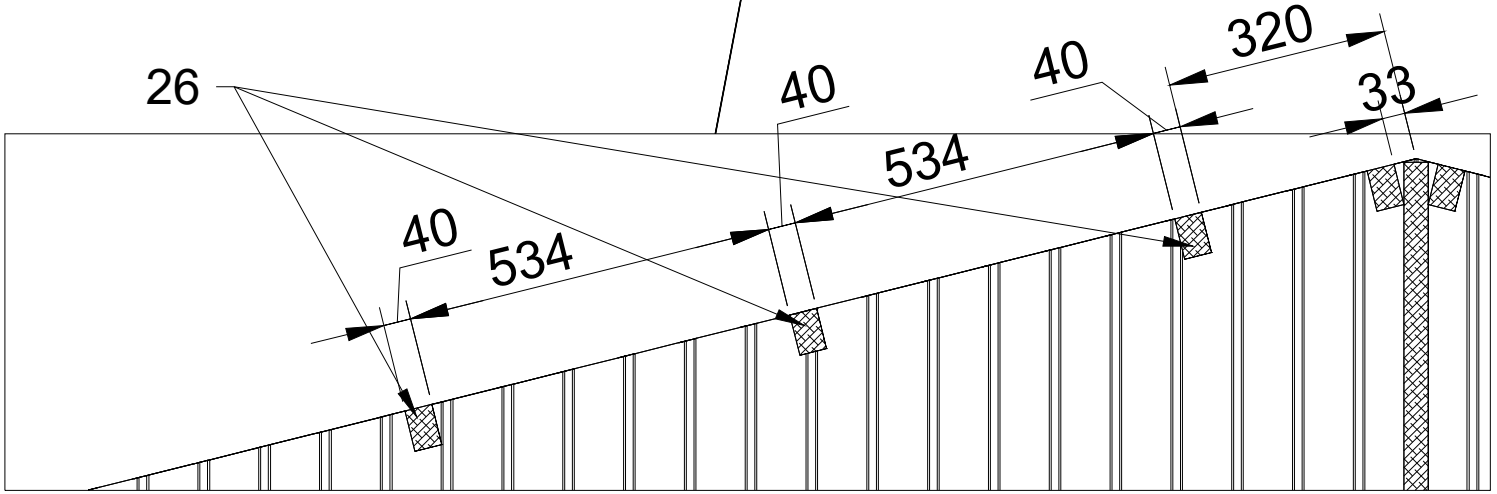


7



26

A x32



26

40

40

320

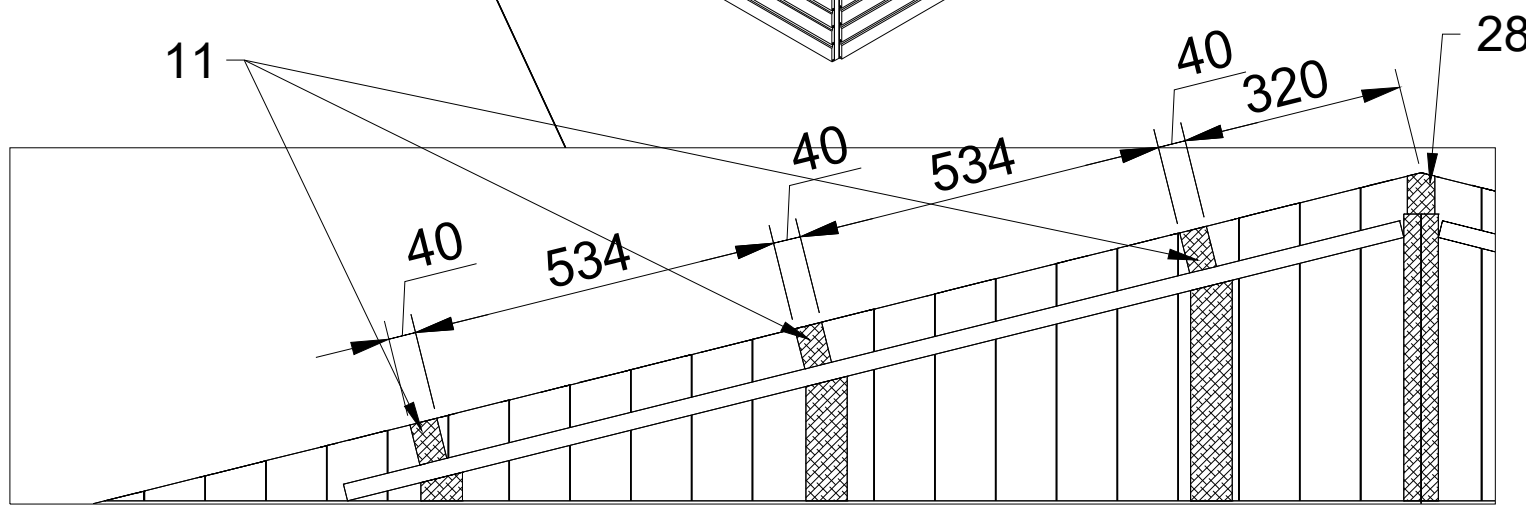
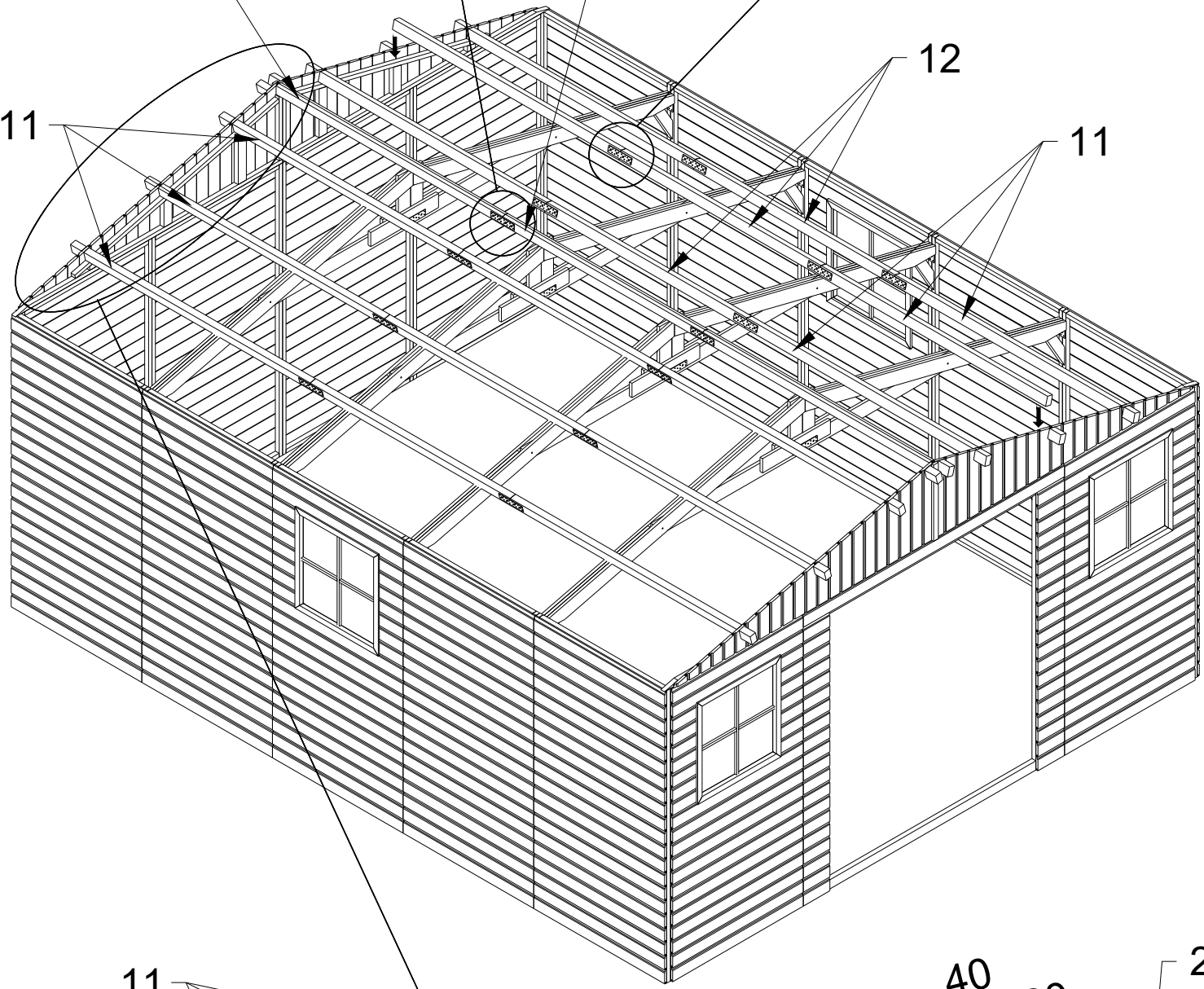
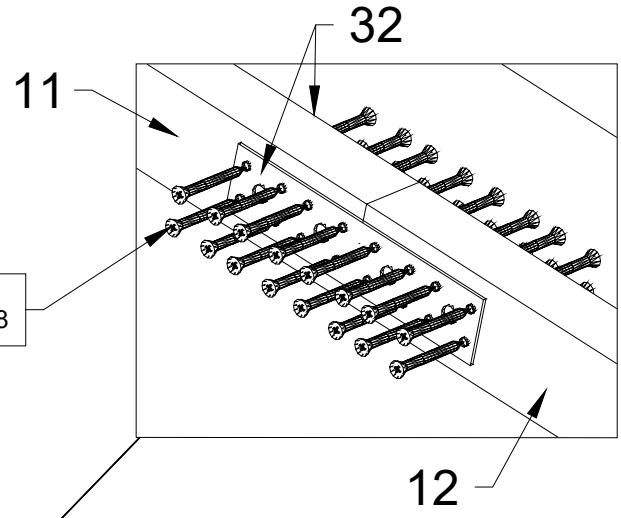
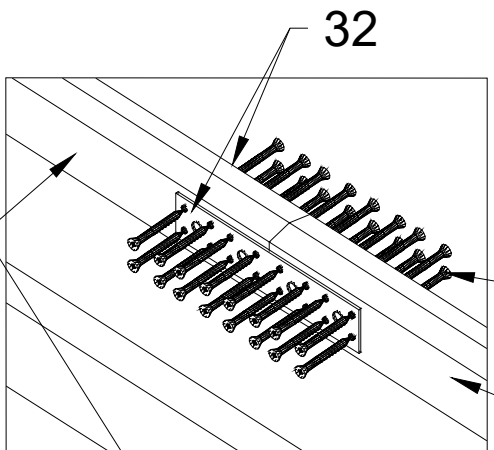
33

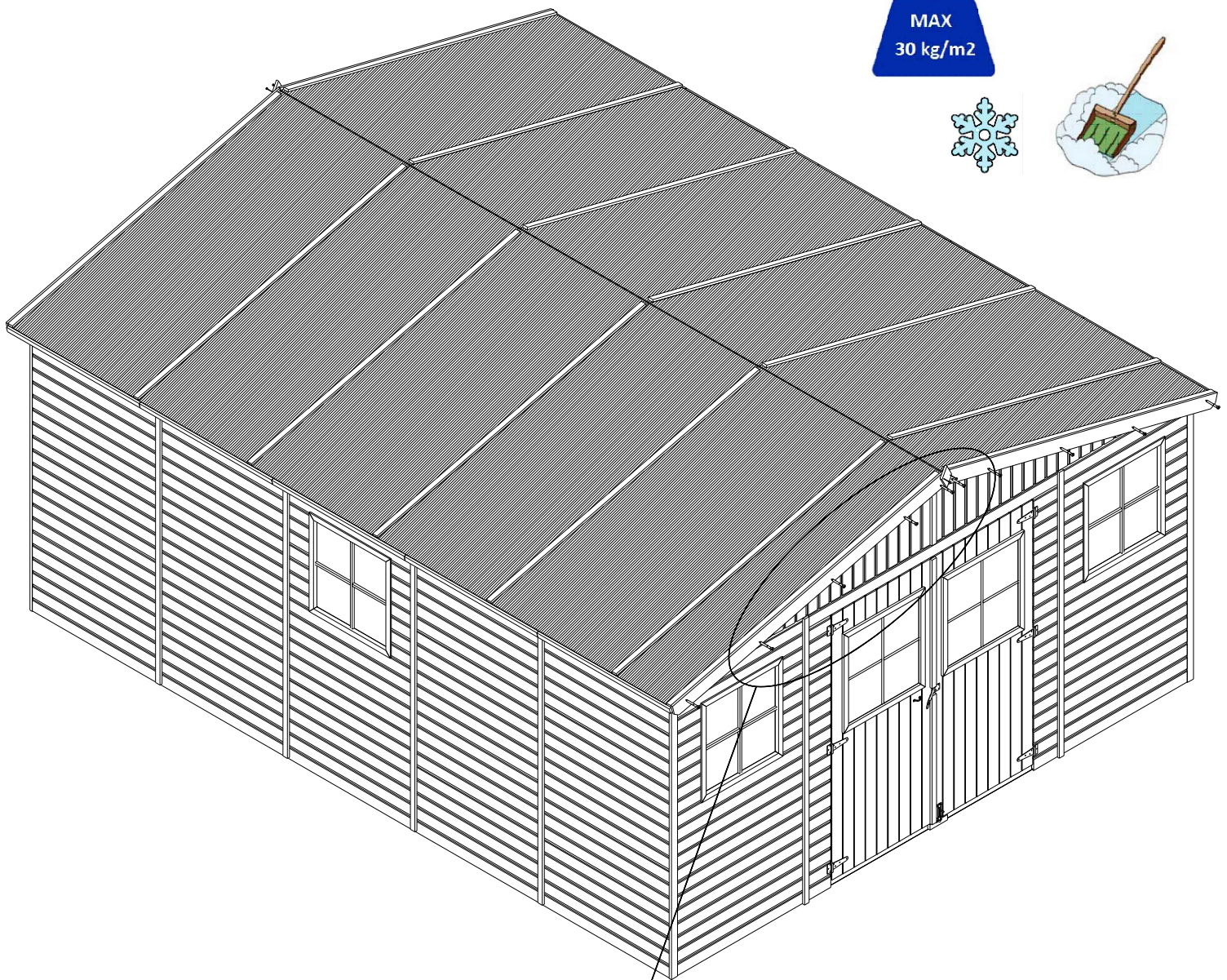
534

40

534

8





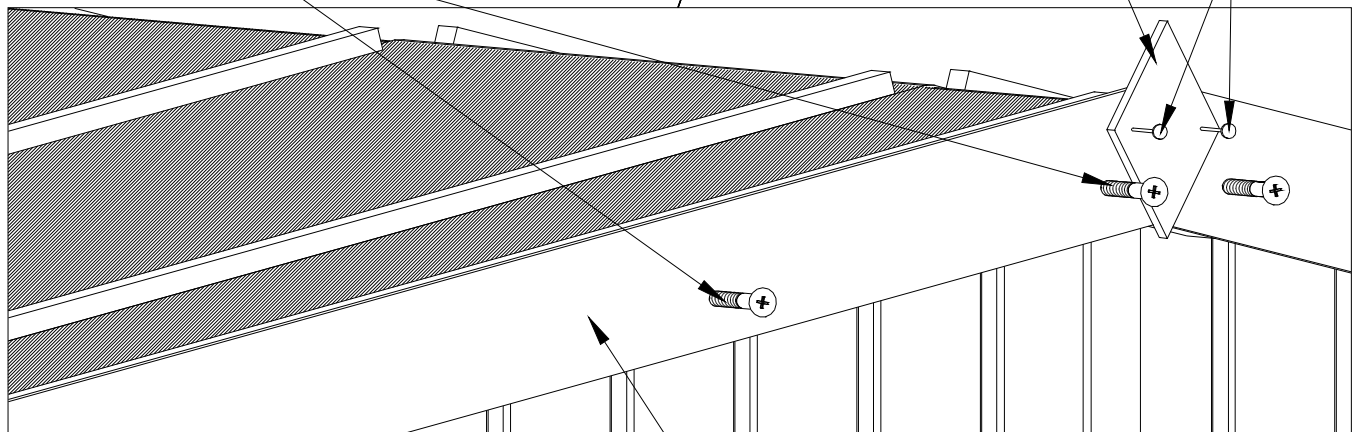
MAX
30 kg/m²



B x20

23

C x4



17