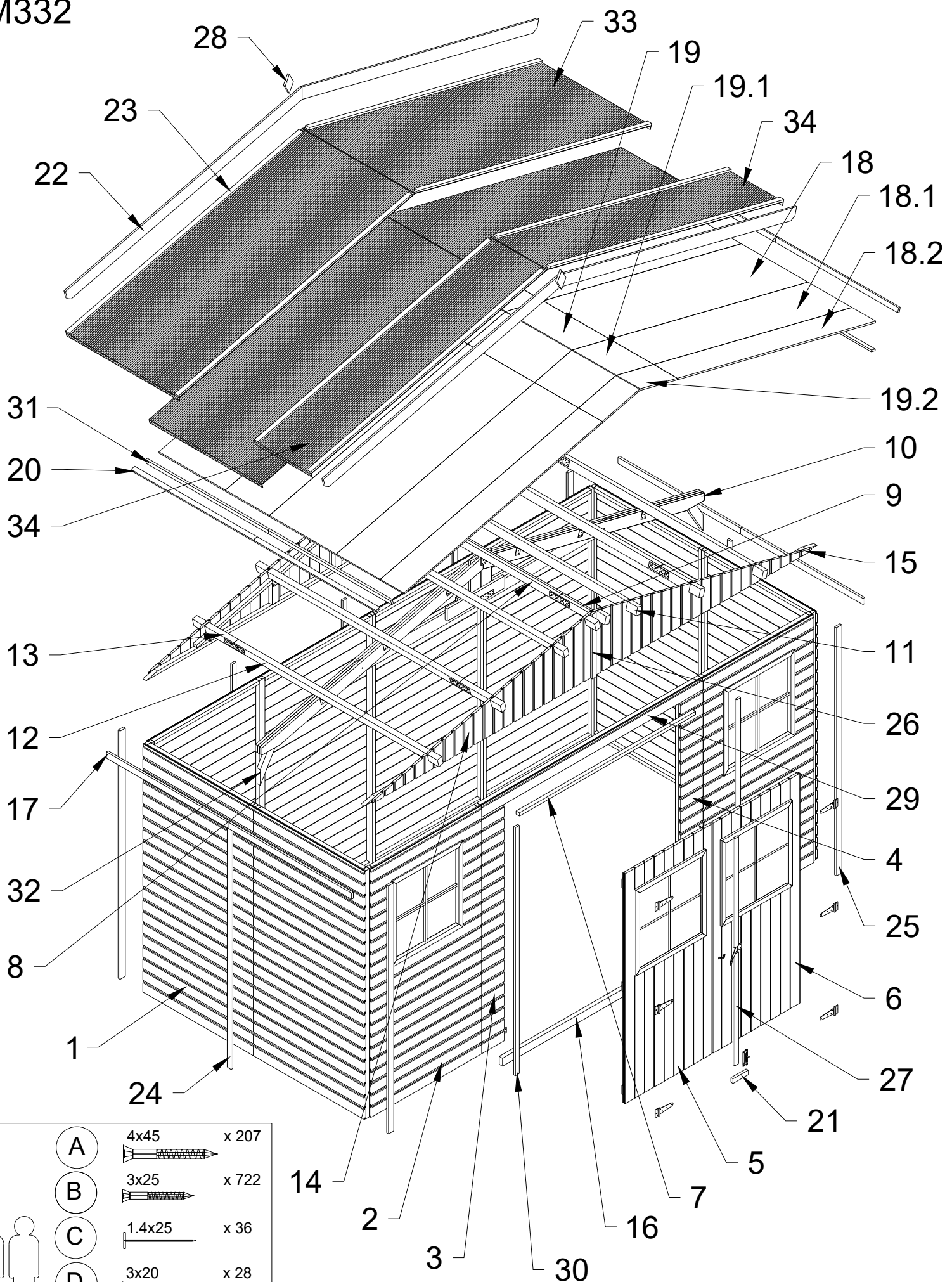
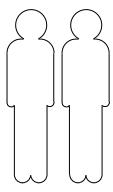
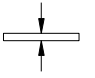
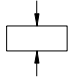
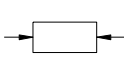
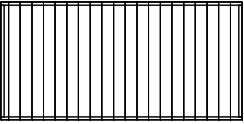
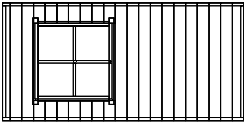
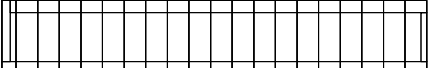
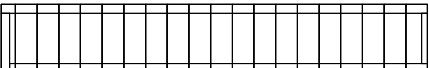
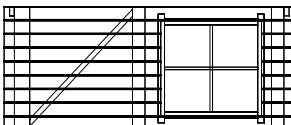
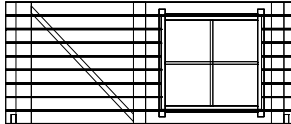
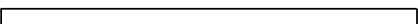
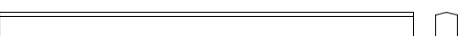
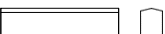
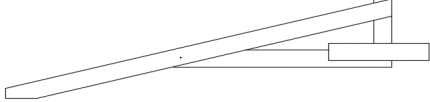
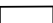
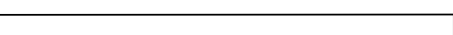
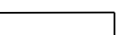
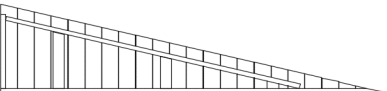
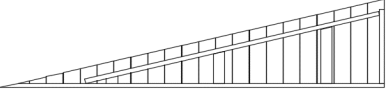
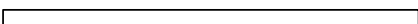




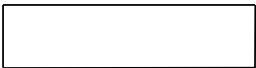
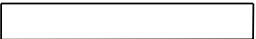


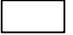
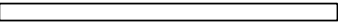
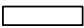

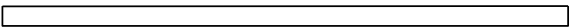
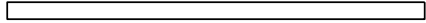
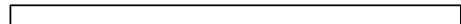

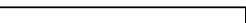

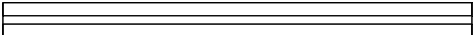
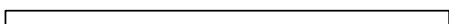

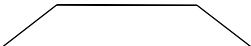



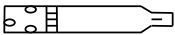
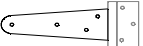
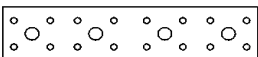
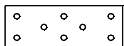
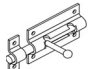

# M332

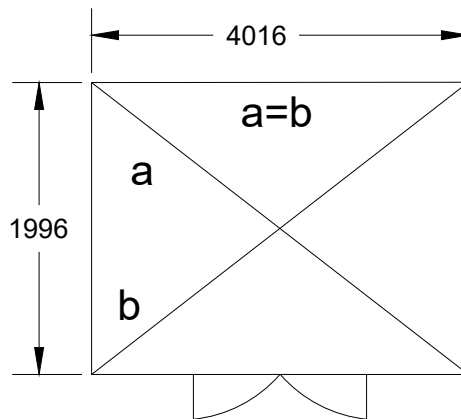
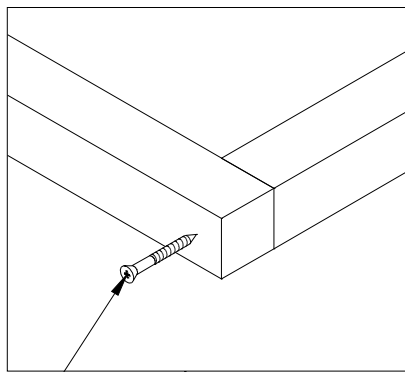


<b>A</b>	4x45	x 207
<b>B</b>	3x25	x 722
<b>C</b>	1.4x25	x 36
<b>D</b>	3x20	x 28
<b>E</b>	3x40	x 24
<b>F</b>	10x70	x 2

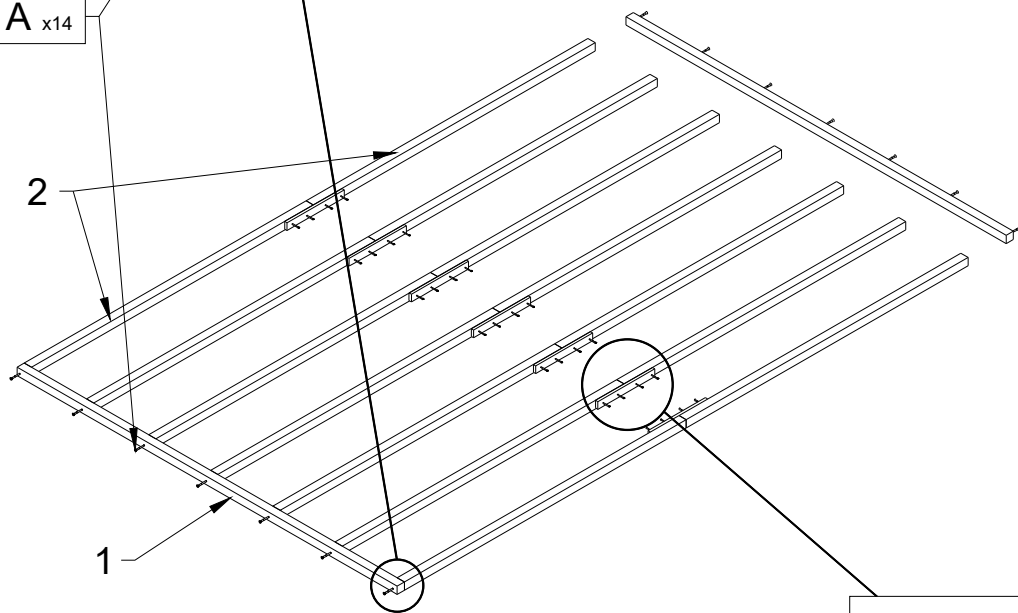


№		PCS			
			mm	mm	mm
1		8		980	1900
2		2		980	1900
3		1		200	1814
4		1		200	1814
5		1		770	1760
6		1		770	1760
7		1	25	30	1560
8		1	40	60	1700
9		1	40	60	260
10		2		546	2150
11		16	40	60	89
12		6	40	60	1700
13		6	40	60	260
14		2		500	2005
15		2		500	2005
16		1	30	60	1560
17		4	17	47	1085
18		4	OSB	590	1810

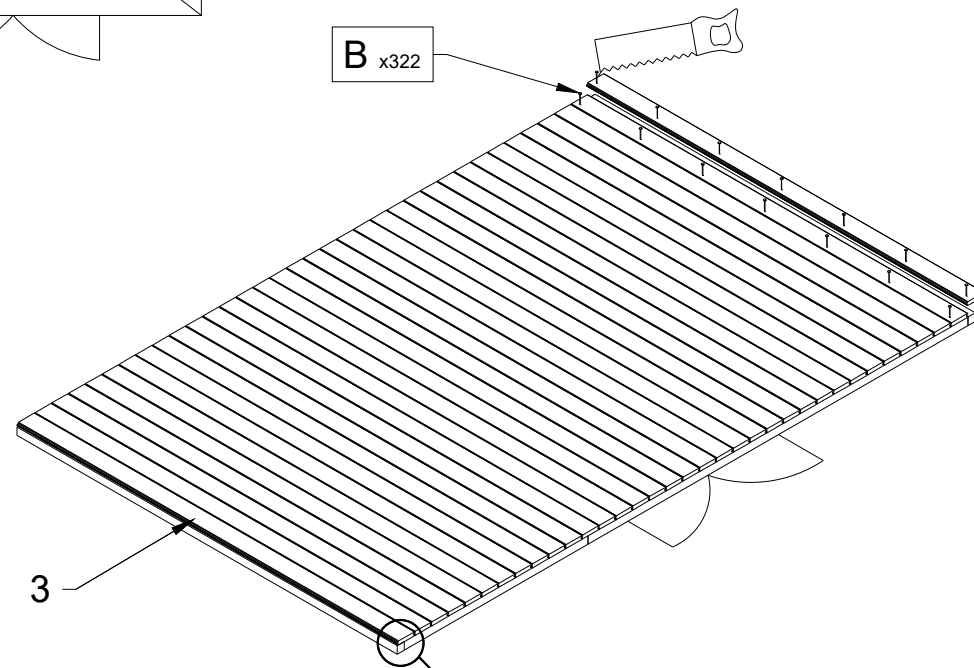
18.1		4	OSB	390	1810
18.2		2	OSB	210	1810
19		4	OSB	340	590
19.1		4	OSB	340	390
19.2		2	OSB	210	340
20		4	OSB	35	1085
21		1	19	35	135
22		4	13	92	2160
23		8	15	35	2130
24		2	15	35	1835
25		4	17	47	1900
26		2	15	35	495
27		2	15	35	855
28		2	15	75	145
29		1		89	1960
30		5	15	35	1900
31		4	15	35	1085
32		2	30	60	275
33	1x10m   → 2x5,0m	2		1m	4,45m
34		1		0,5m	4,45m
35		1			
36		6			
37		16			
38		6			
39		3			
40		23			



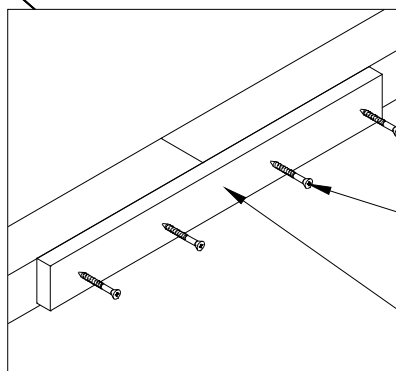
A x14



B x322

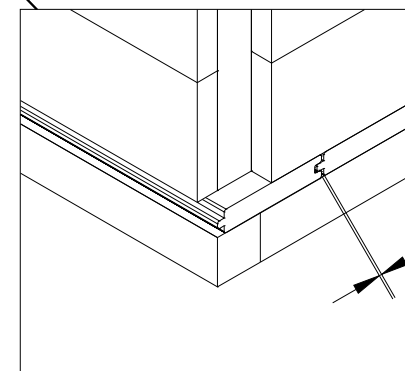


3

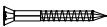




C x28

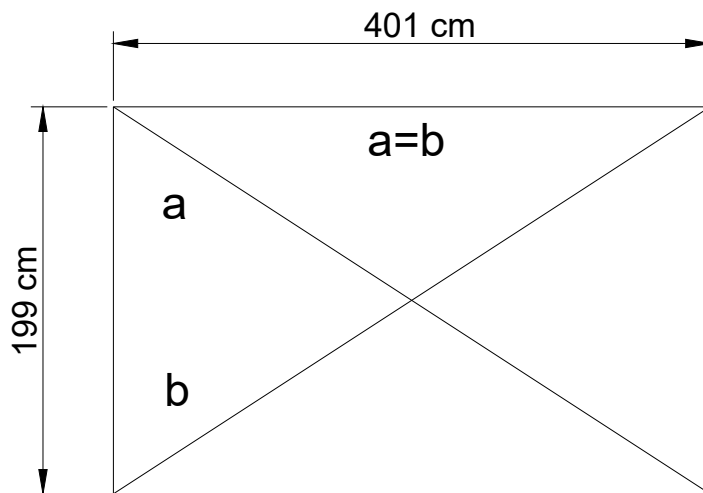
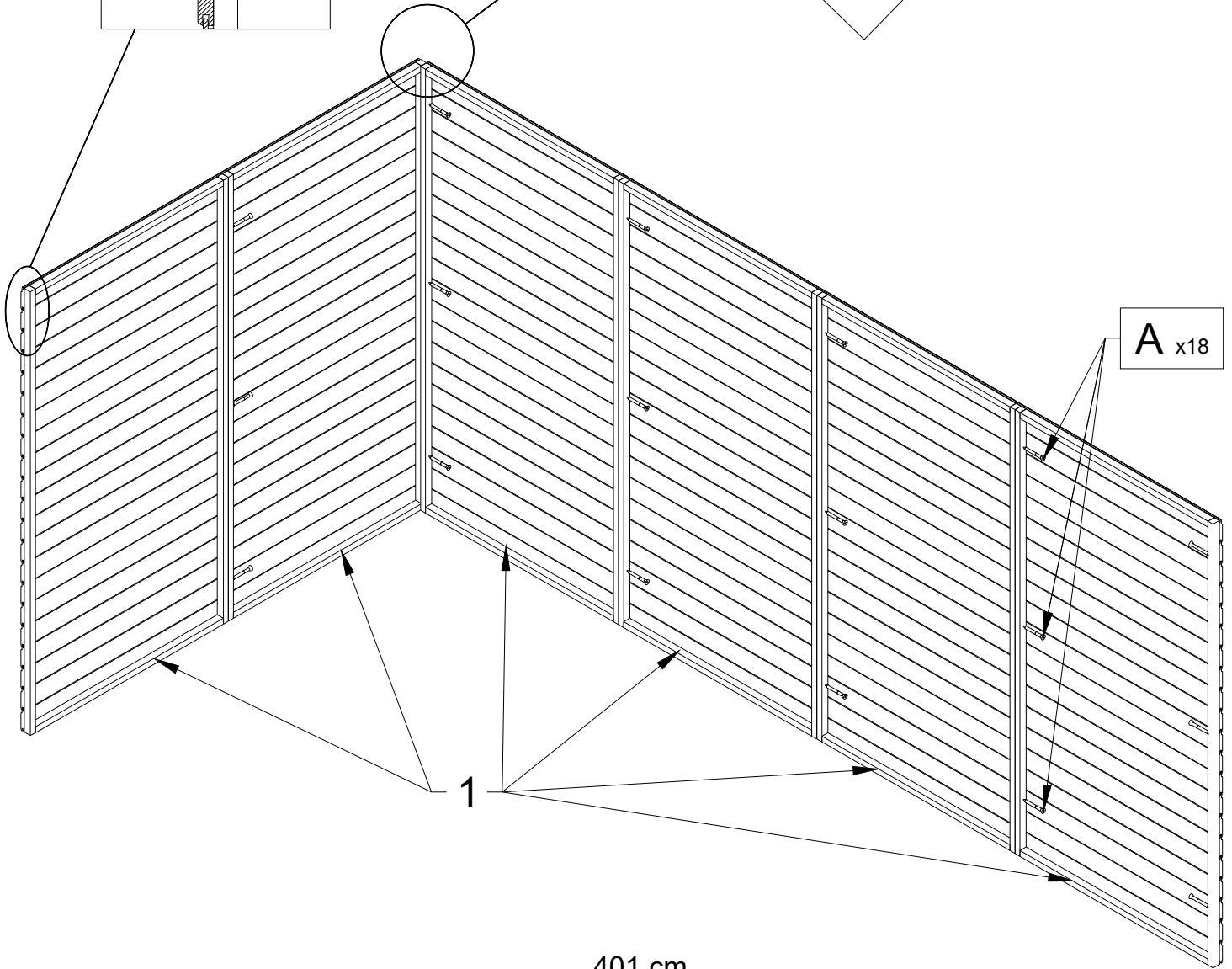
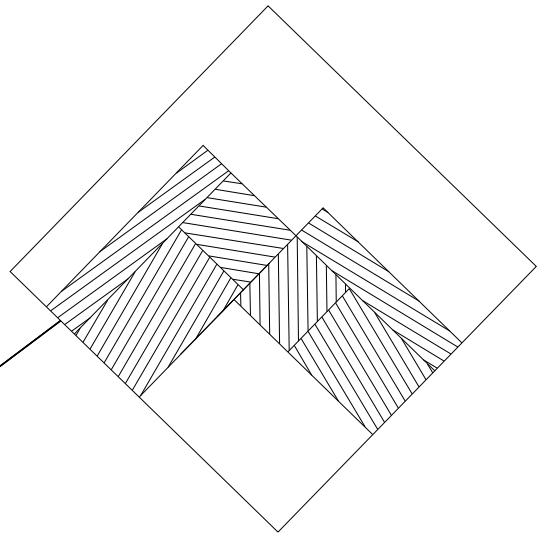
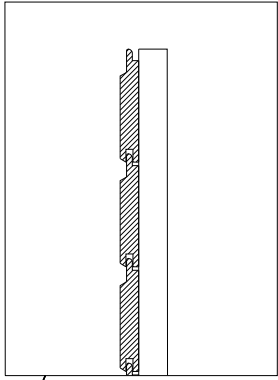
4



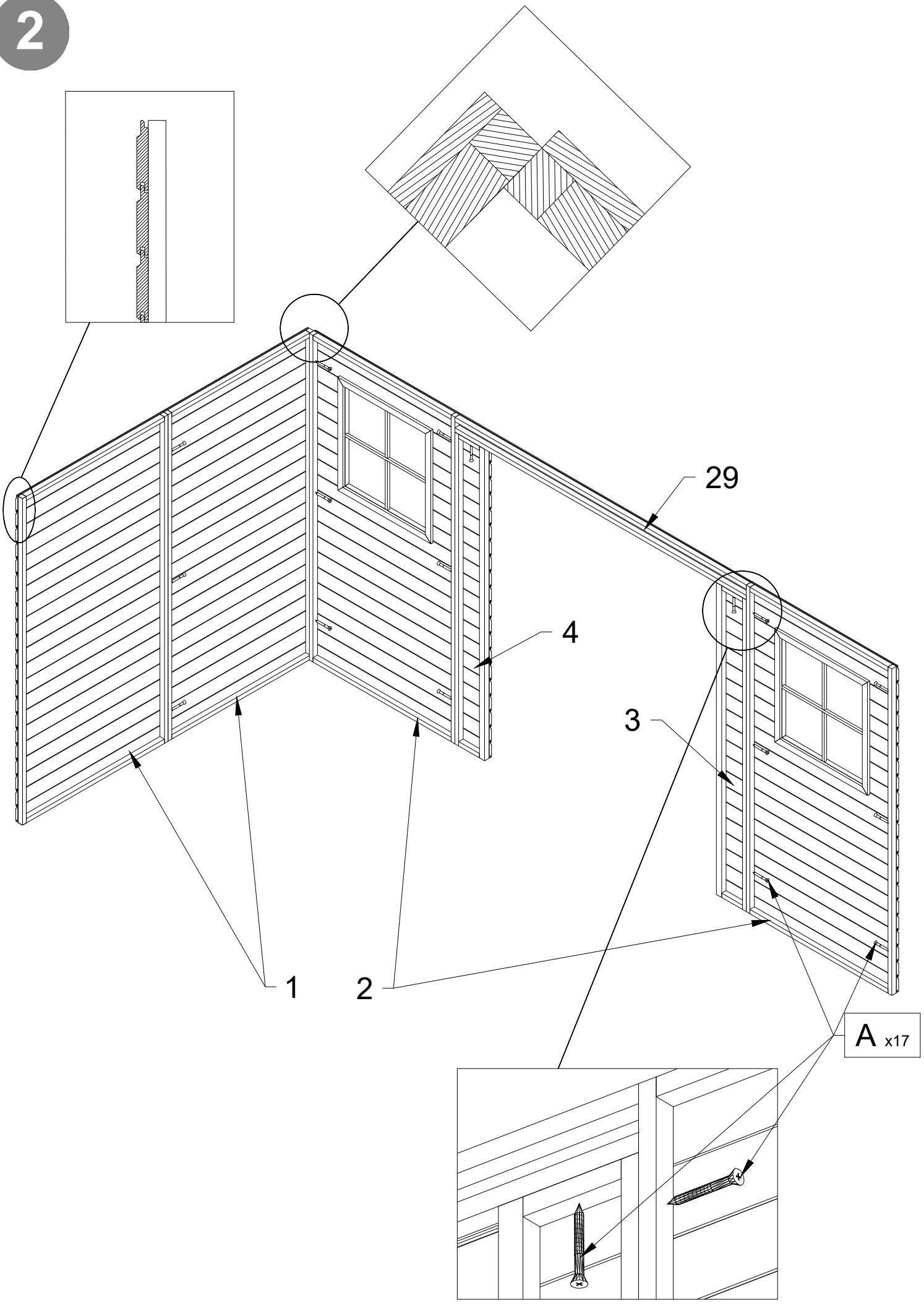
~2mm

No	PCS	DIMENSIONS		
1	2	38	38	1996
2	14	38	38	1970
3	46	19	92	1996
4	7	12	35	150
A	14		M4x70	
B	322			
C	28		M4x45	

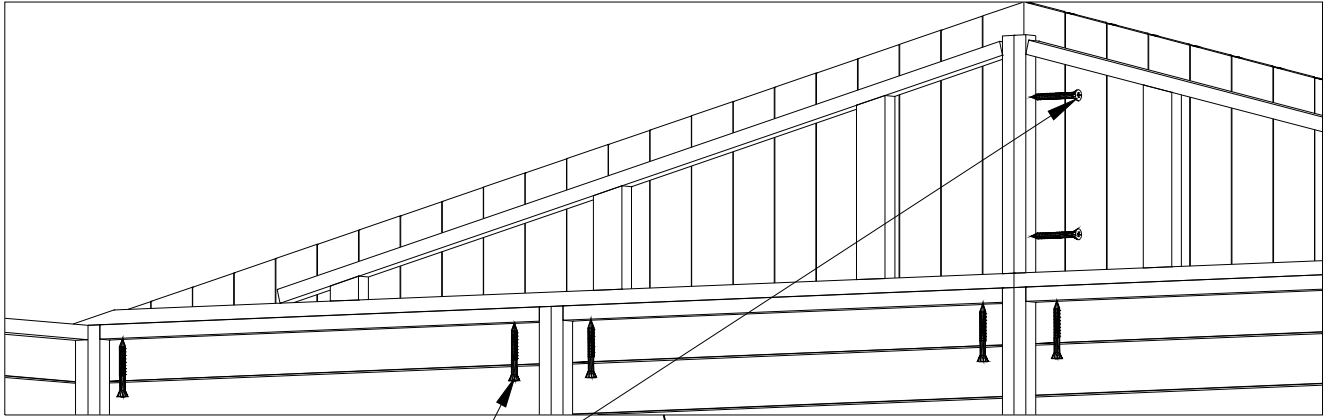
1



2



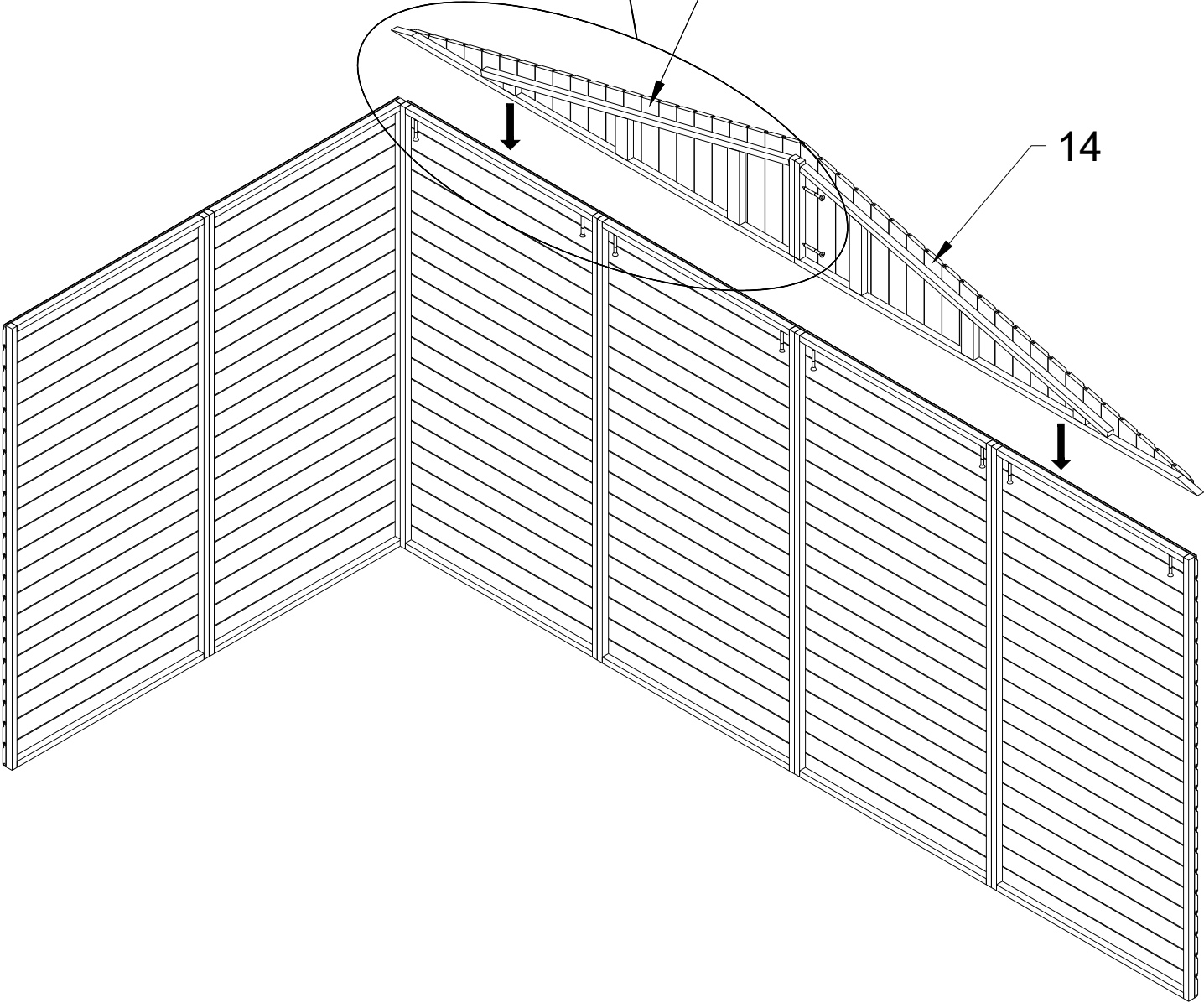
3



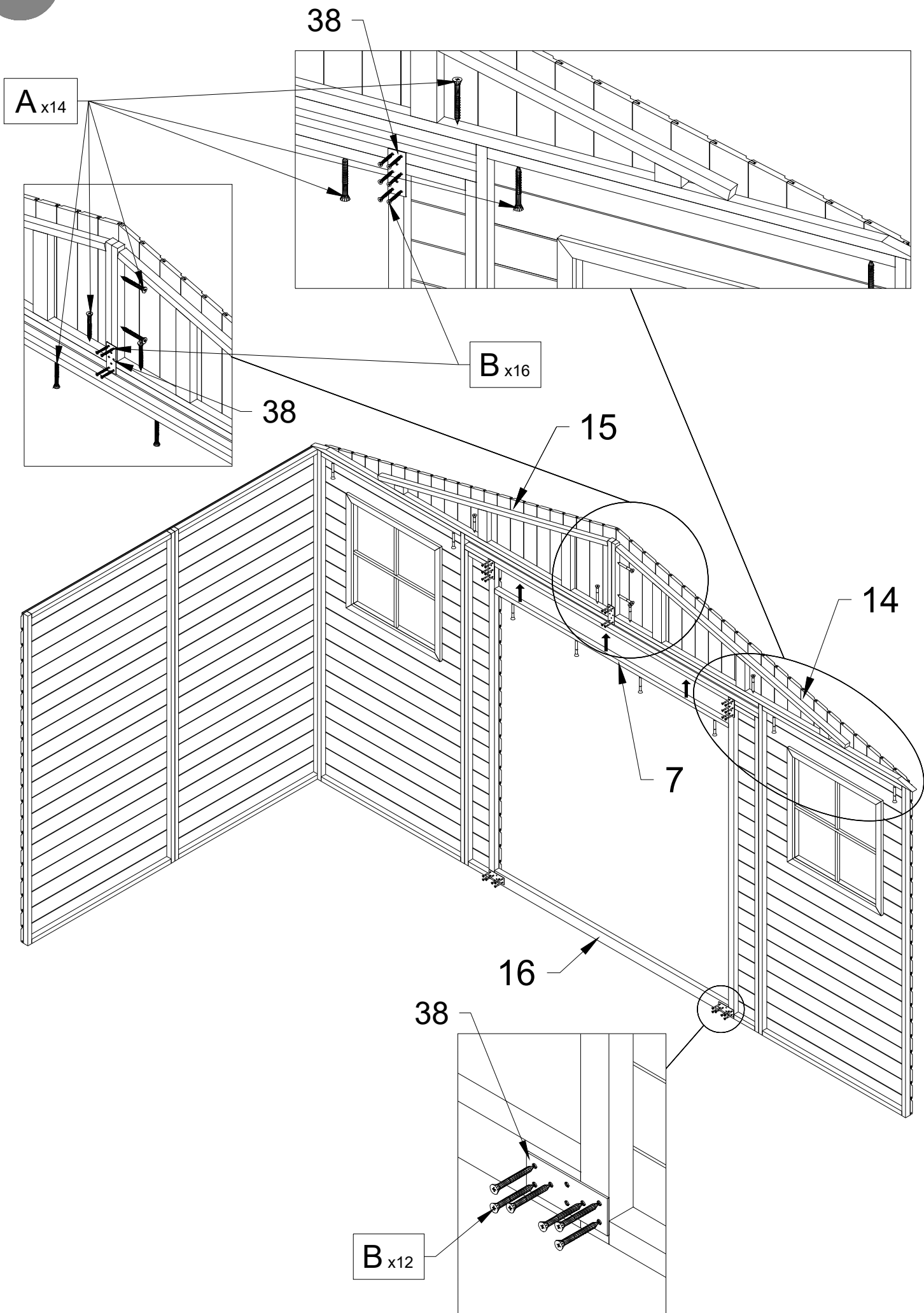
A x10

15

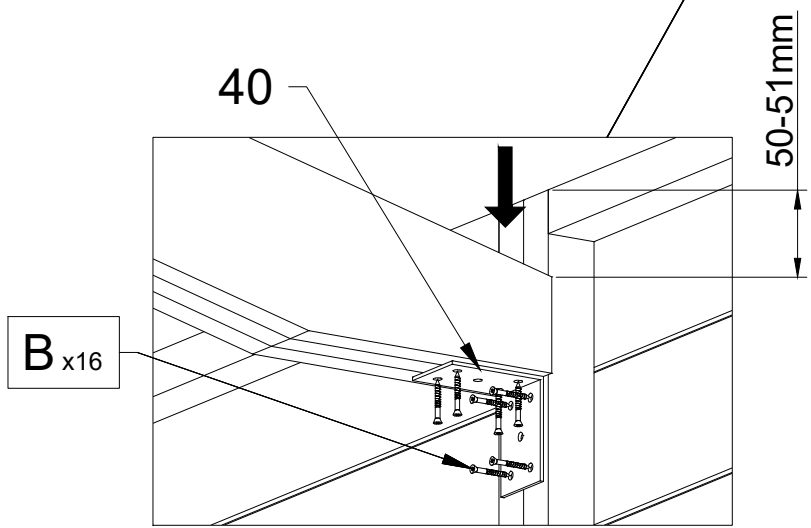
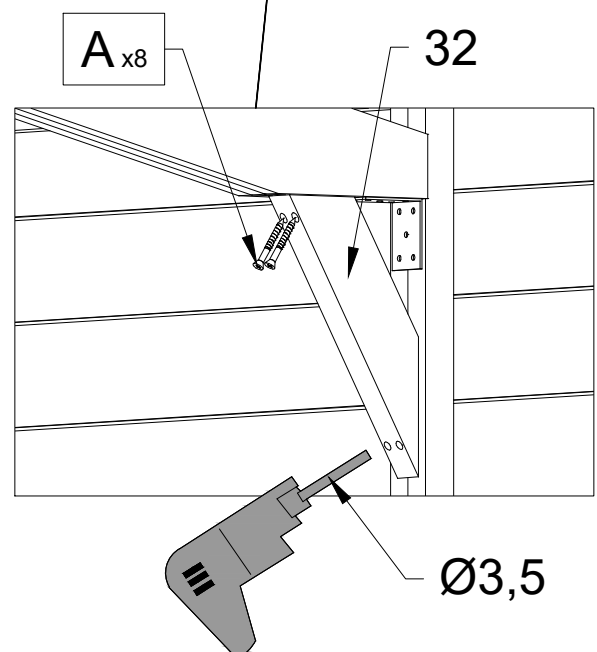
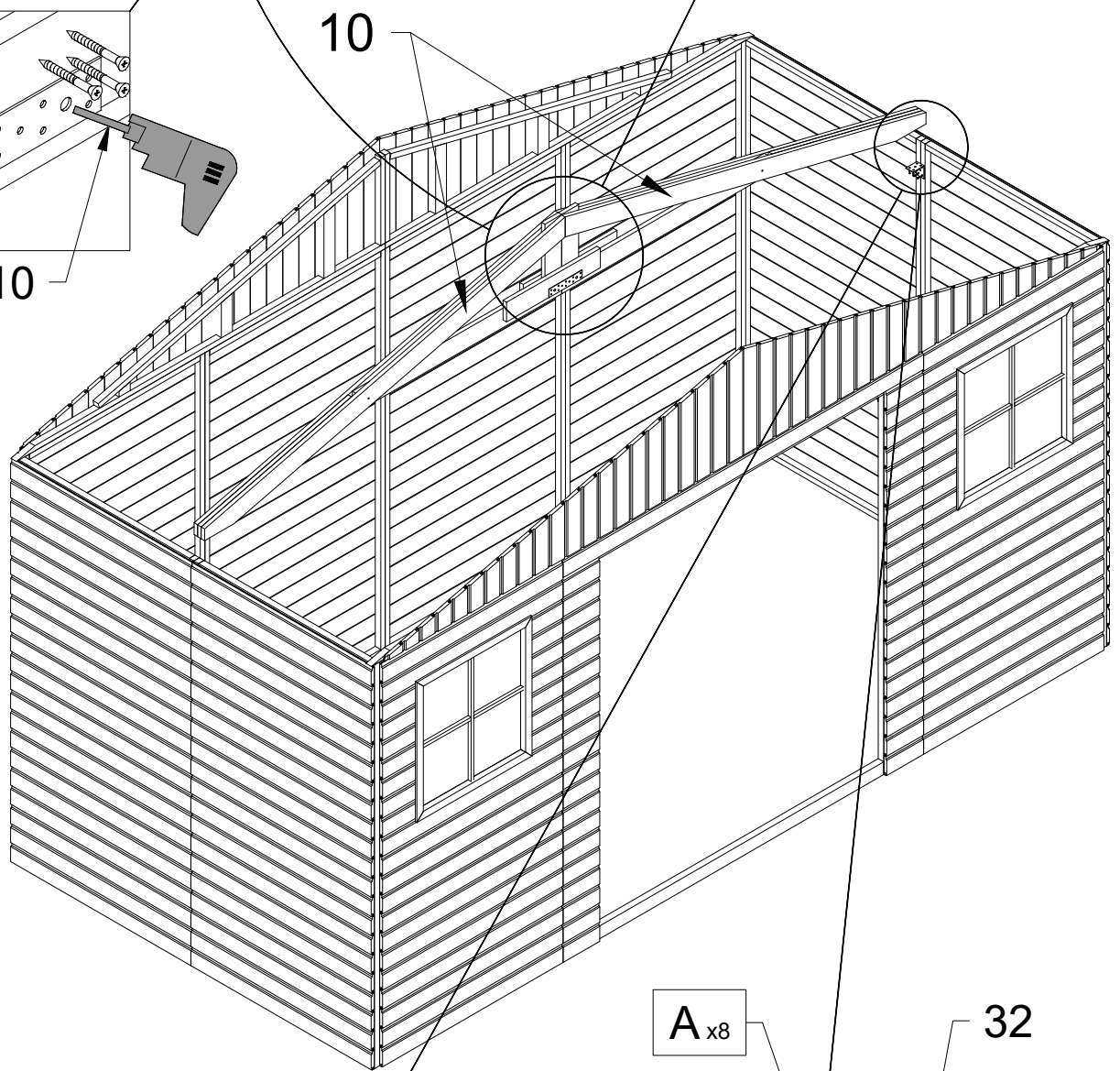
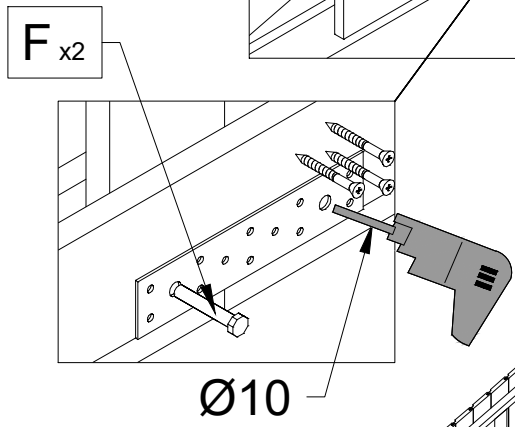
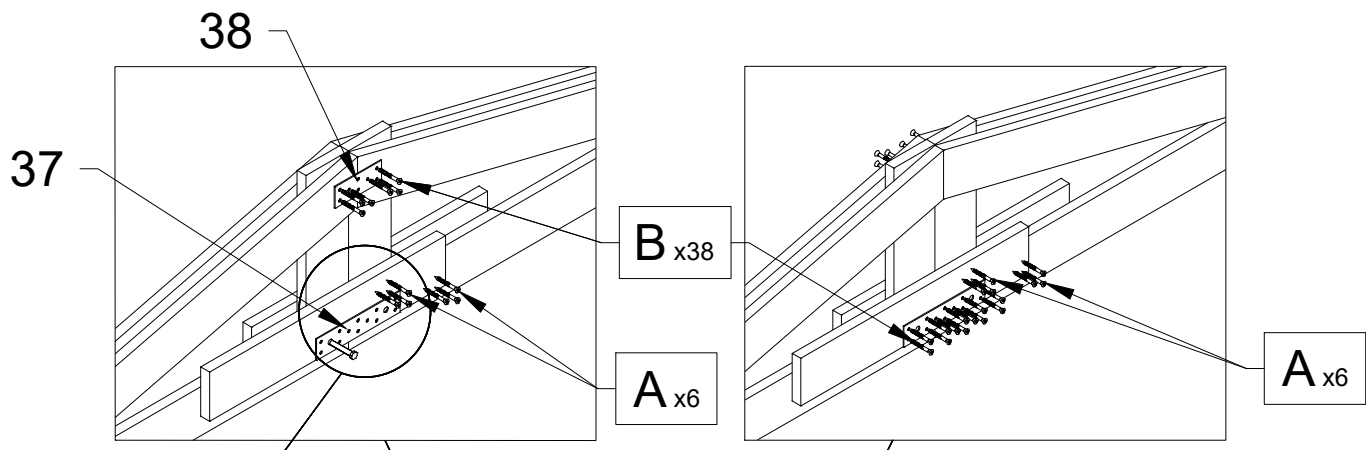
14

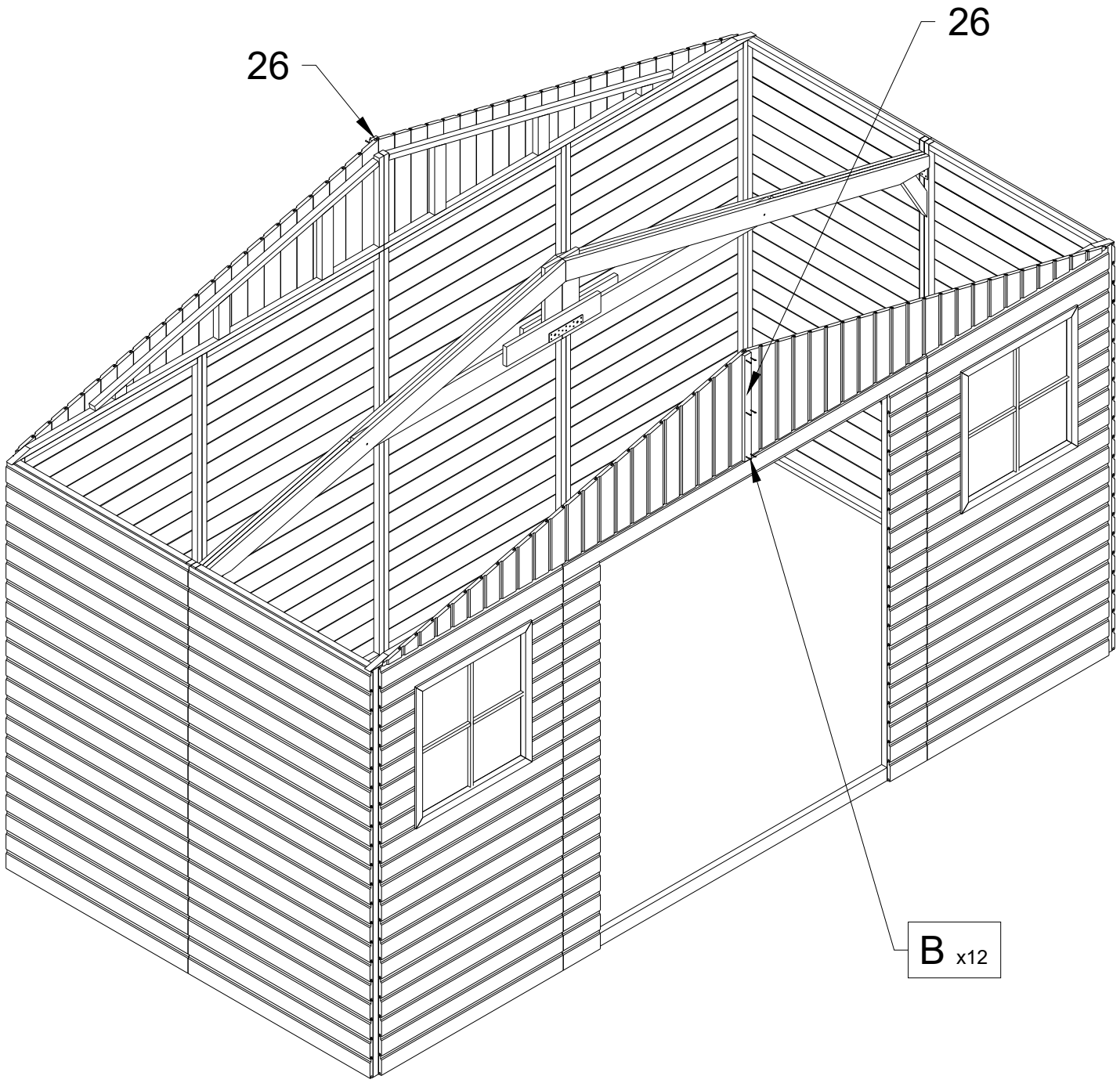


4



5

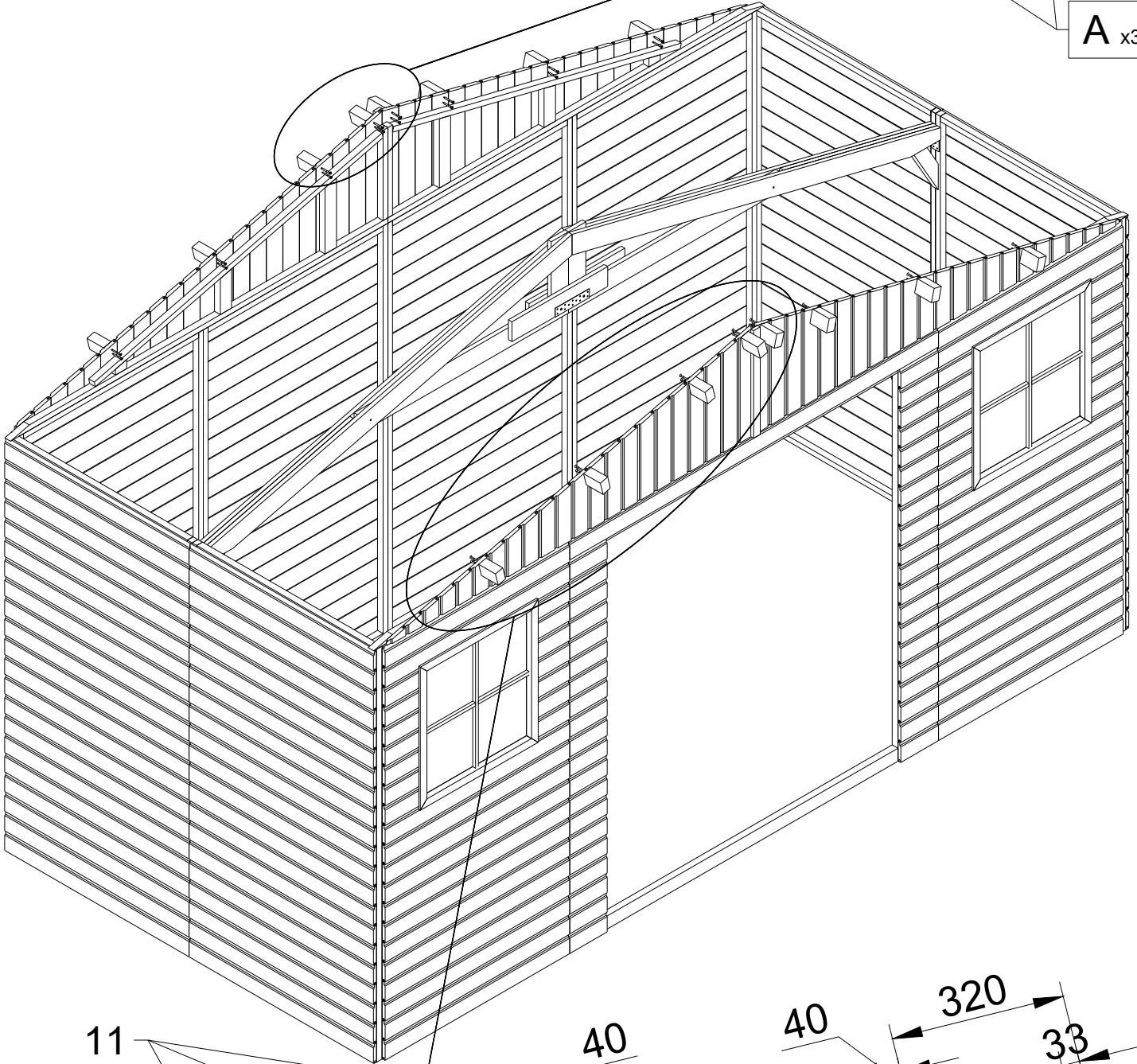




7

11

A x32



11

40

40

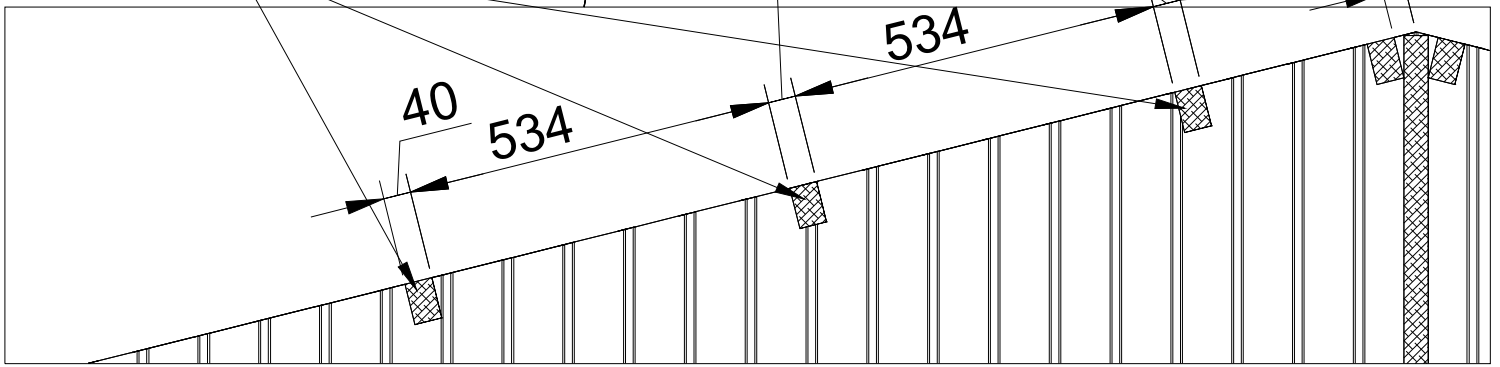
320

33

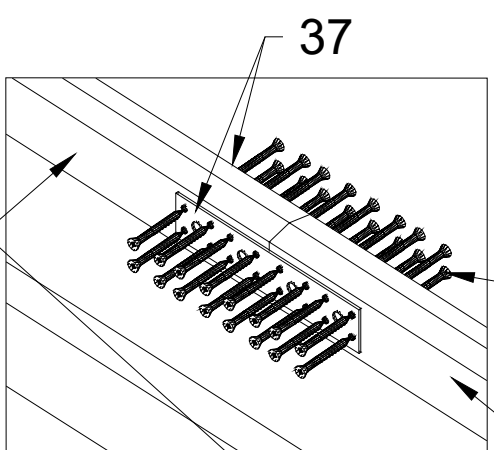
534

40

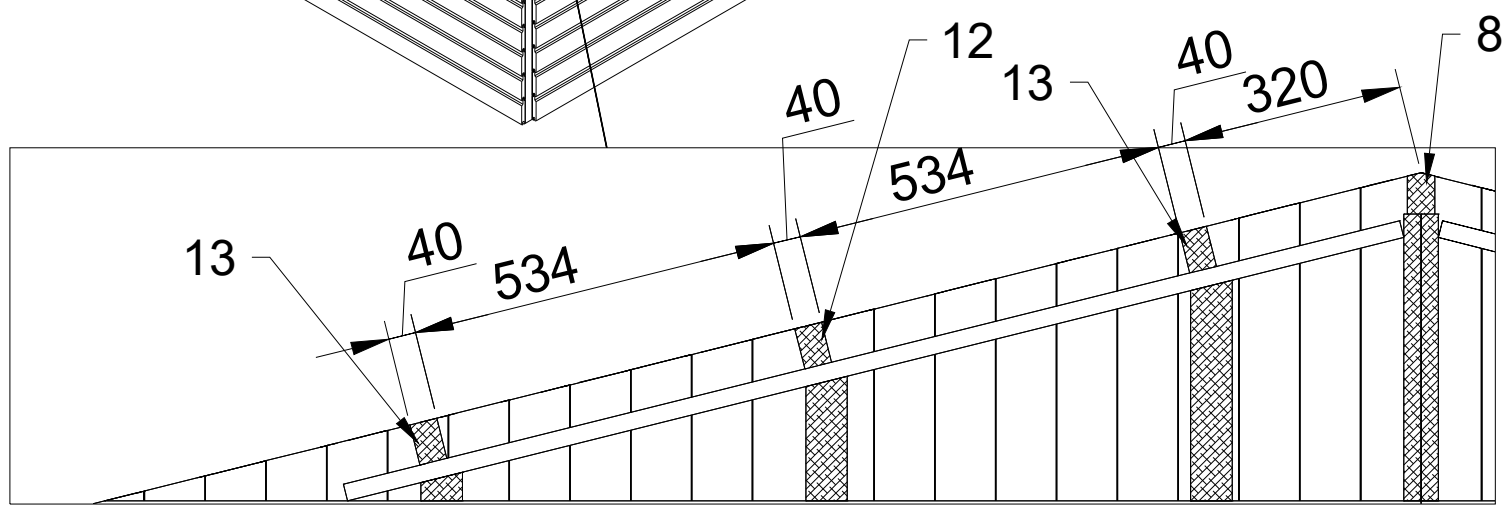
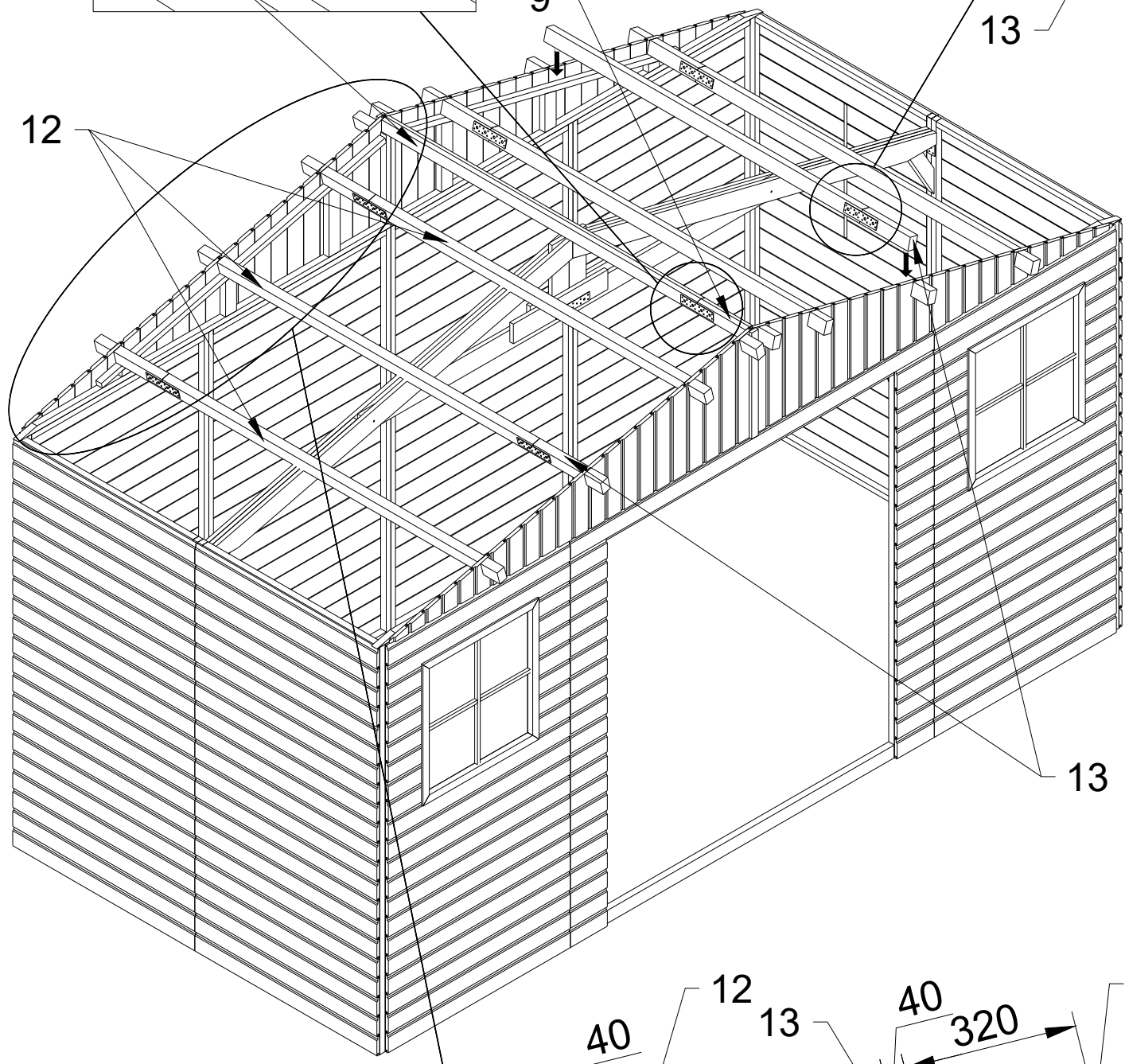
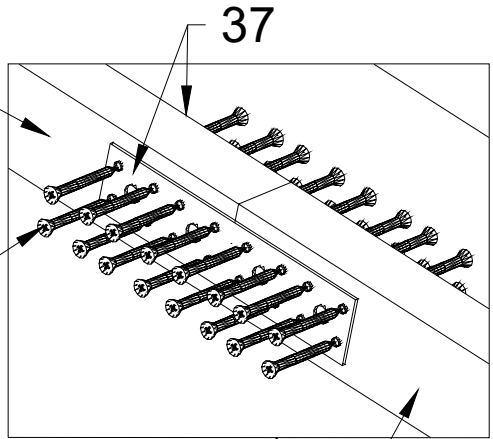
534



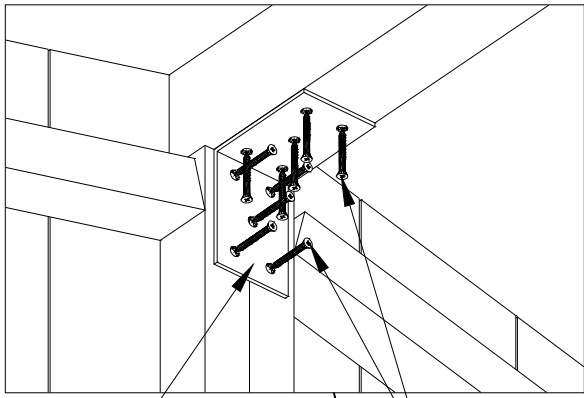
8



B x224

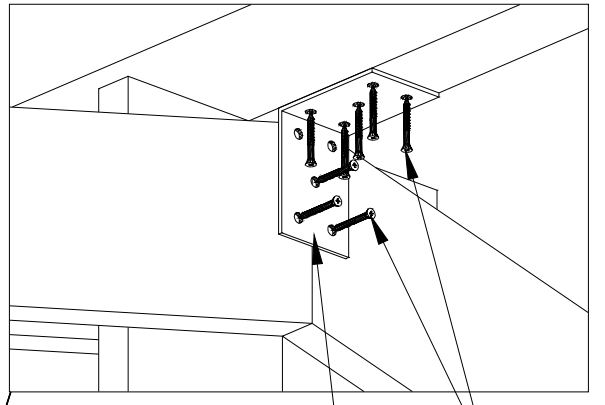


9



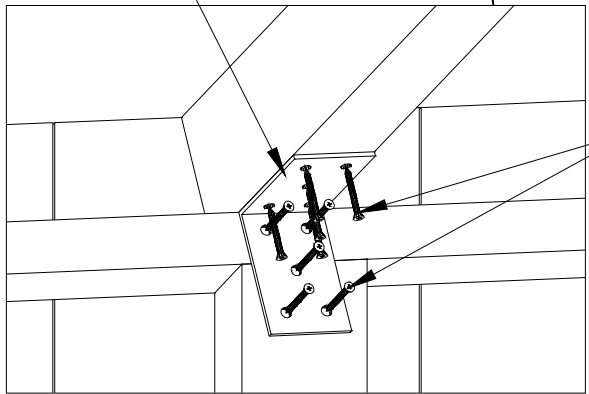
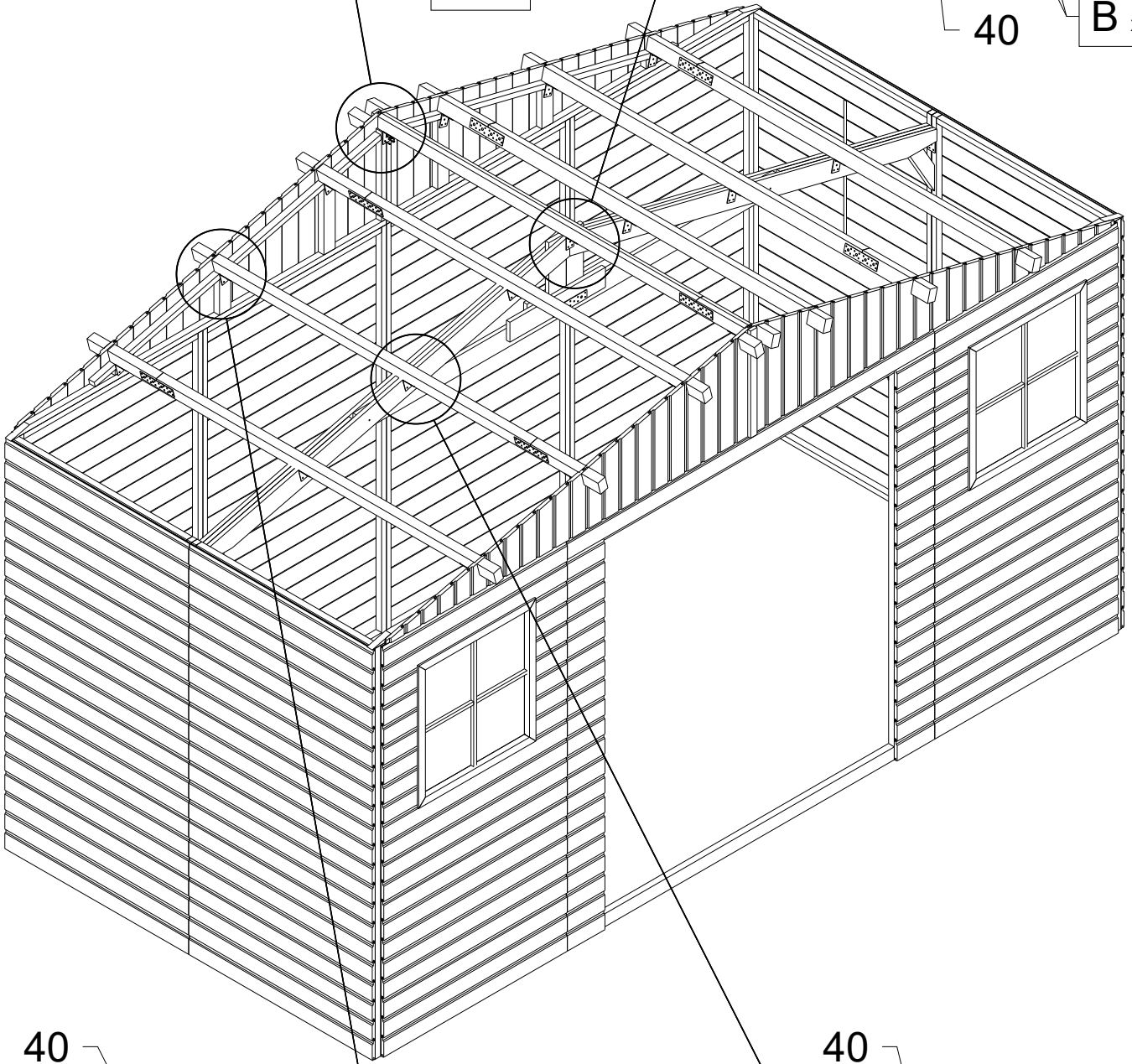
40

B x20



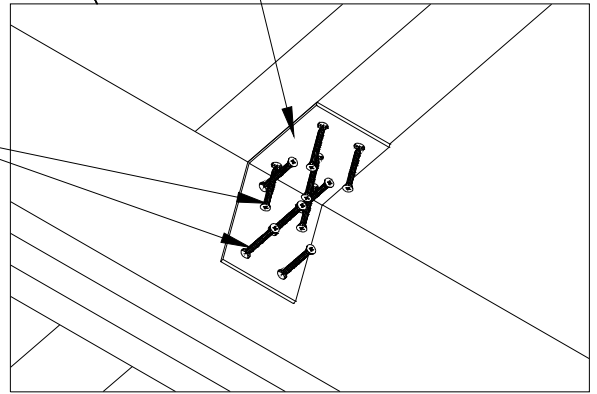
40

B x8



40

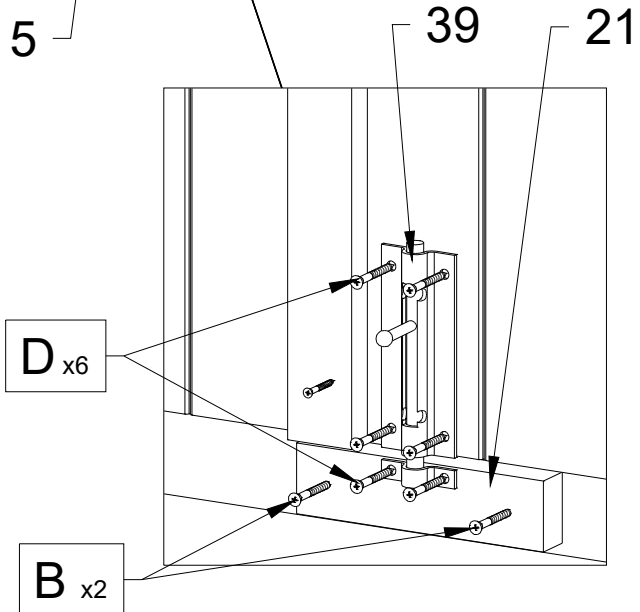
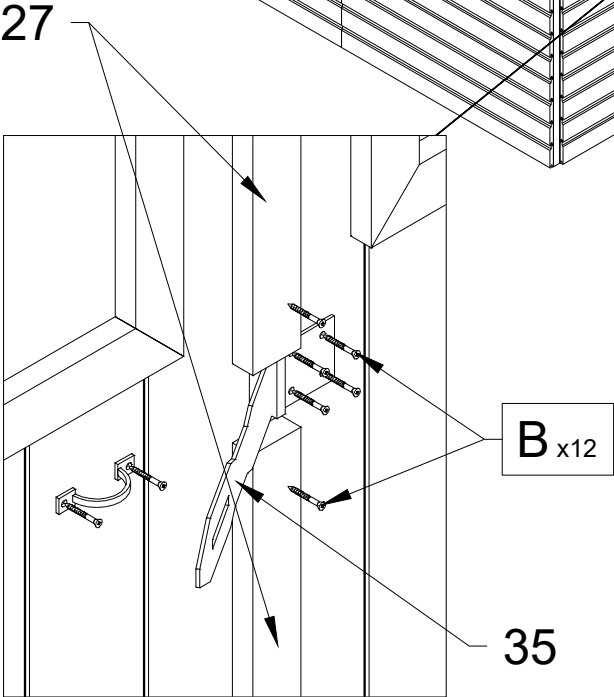
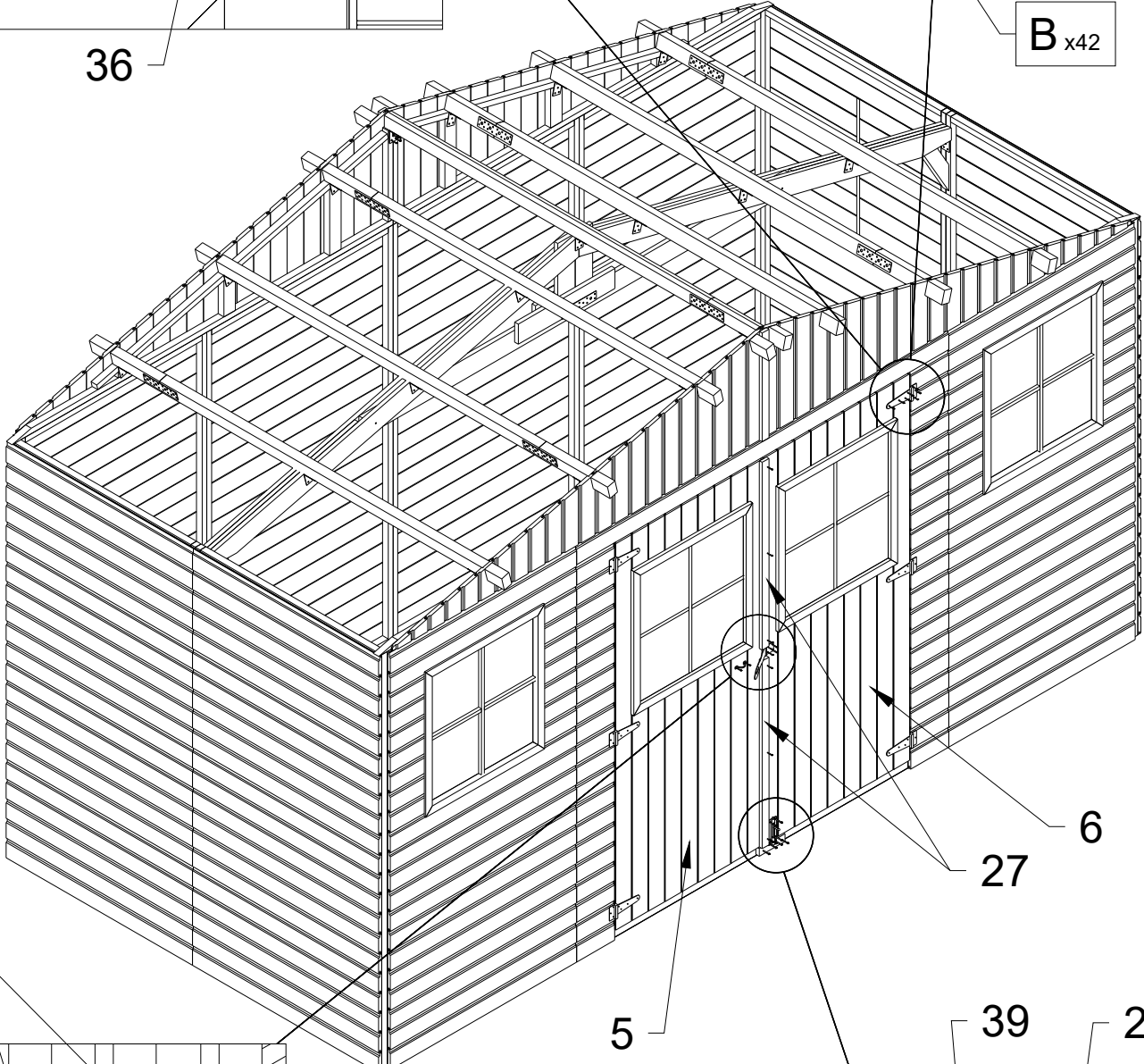
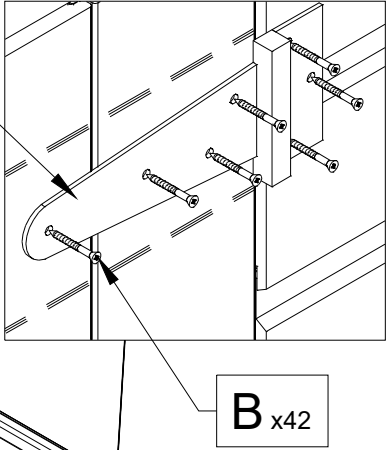
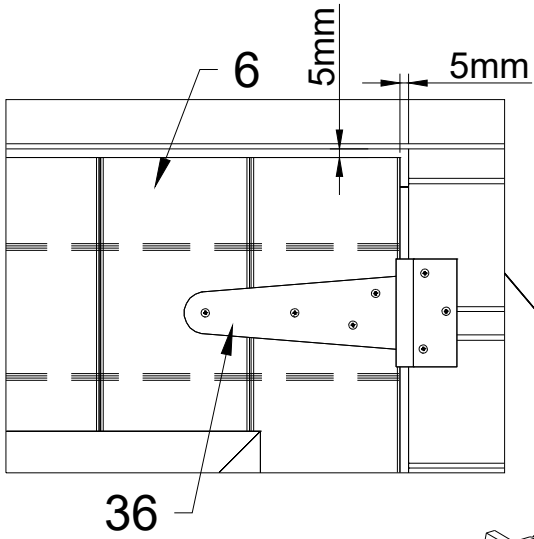
B x180

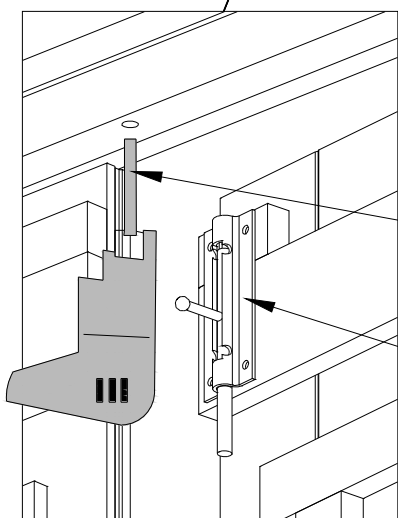
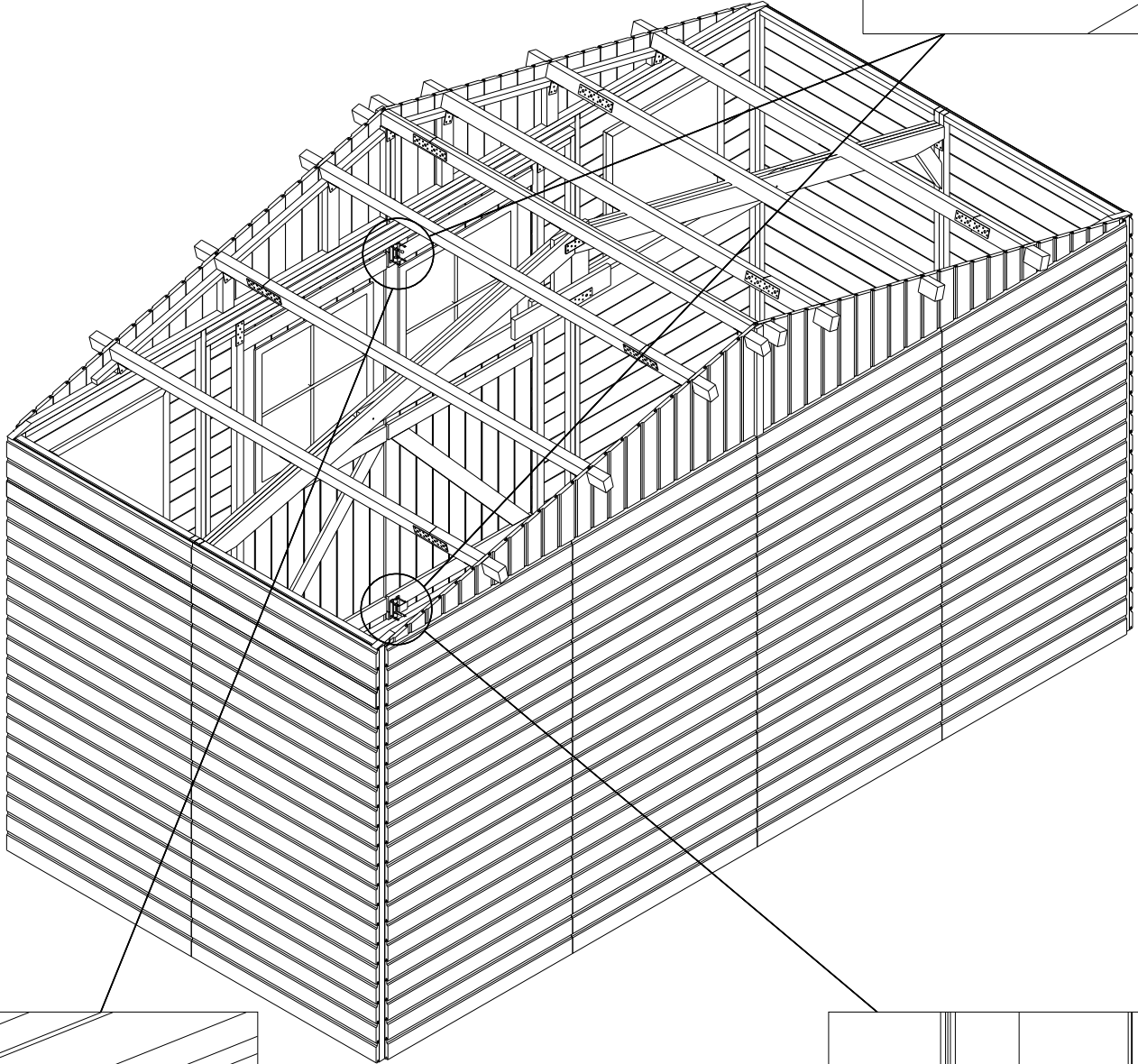
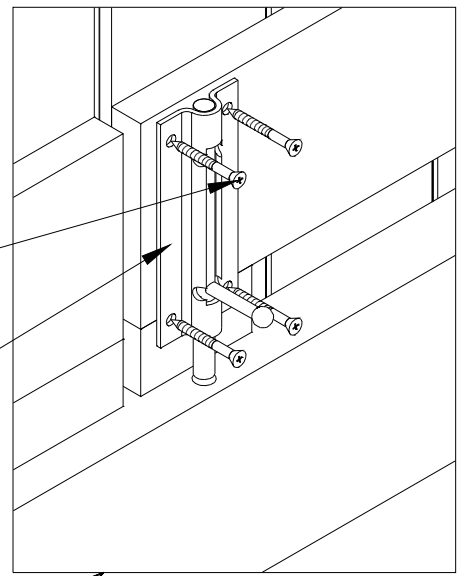


40

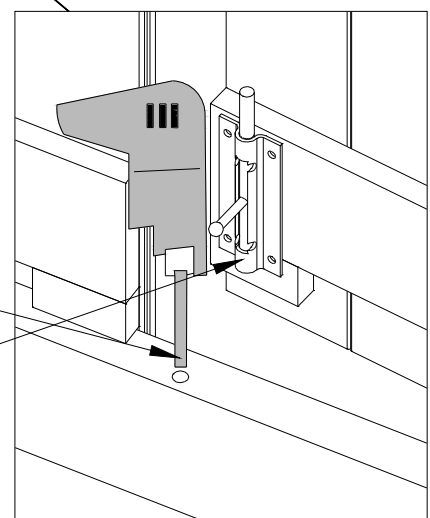
B x180

10

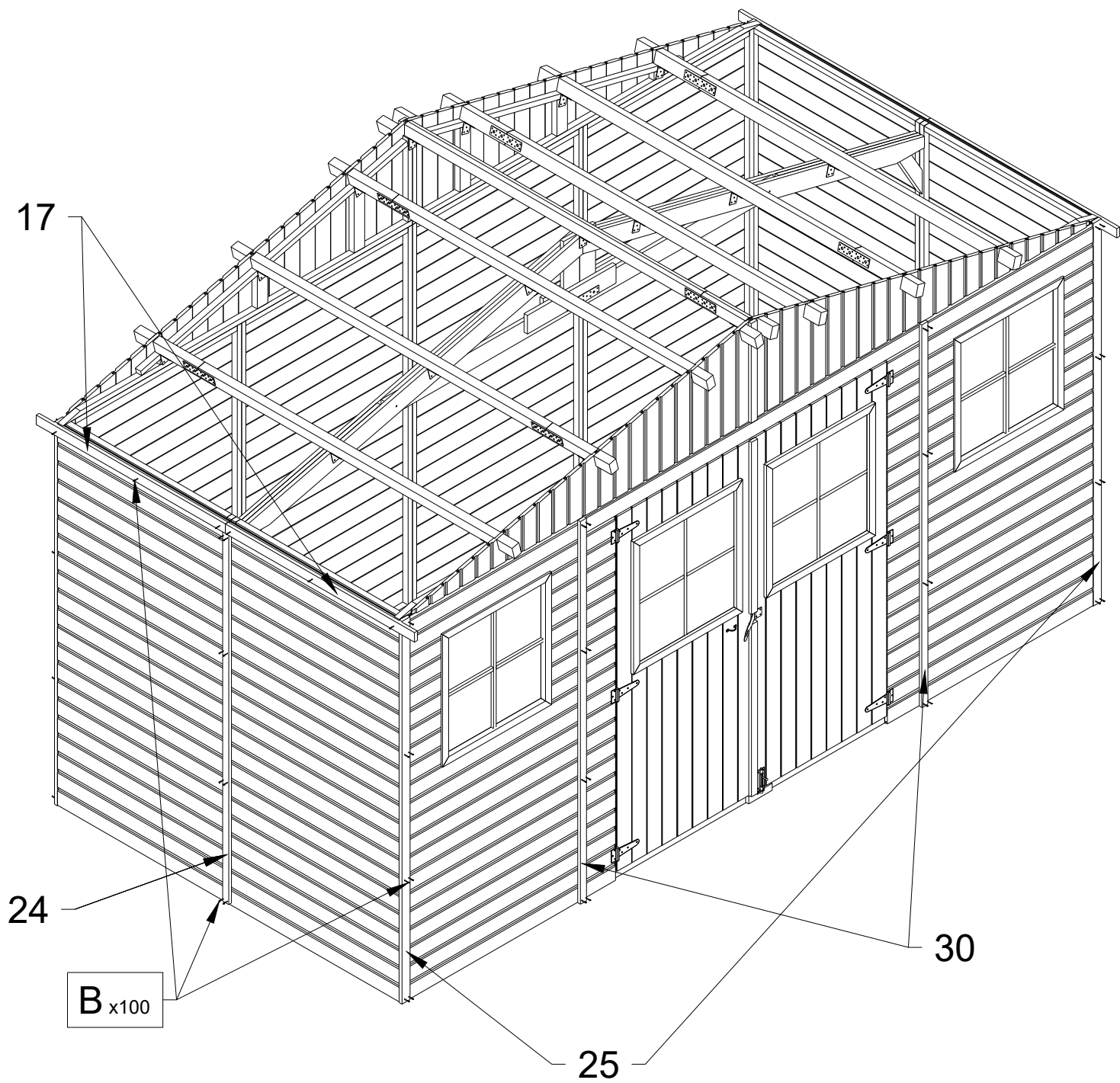


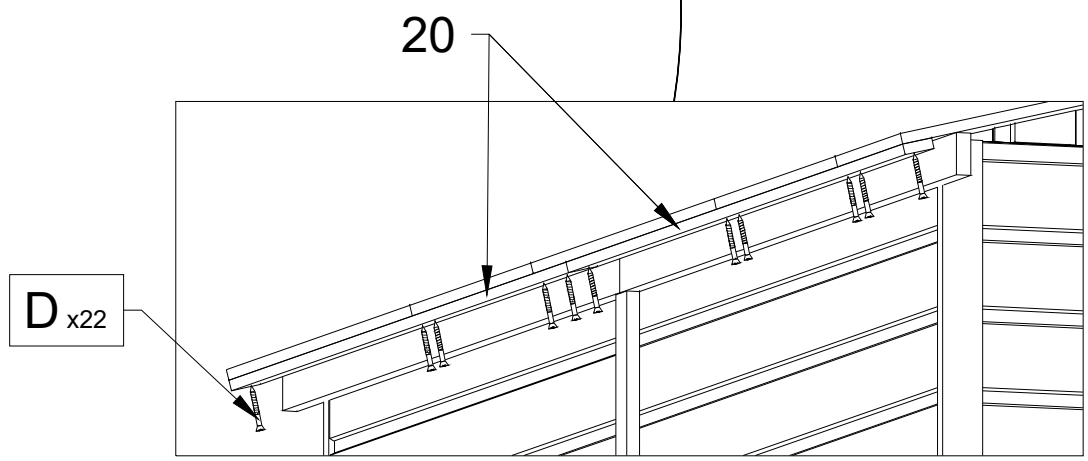
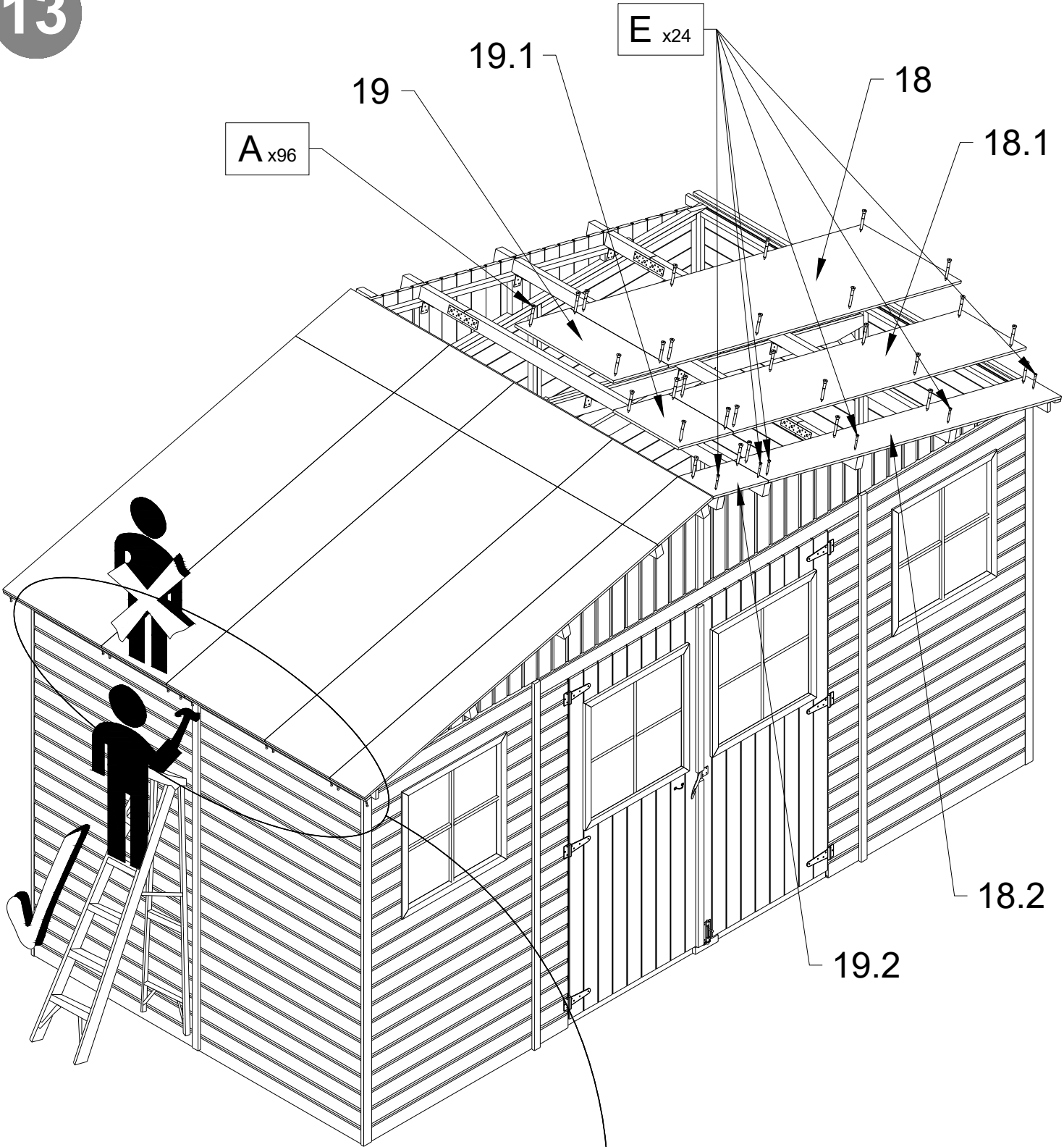


Ø12mm



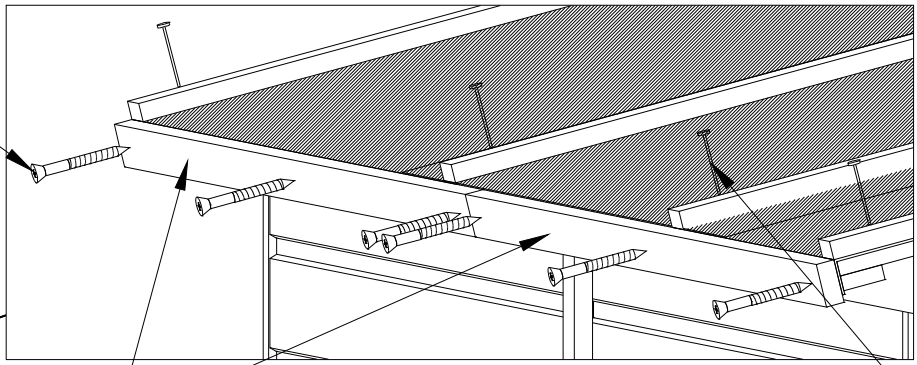
39





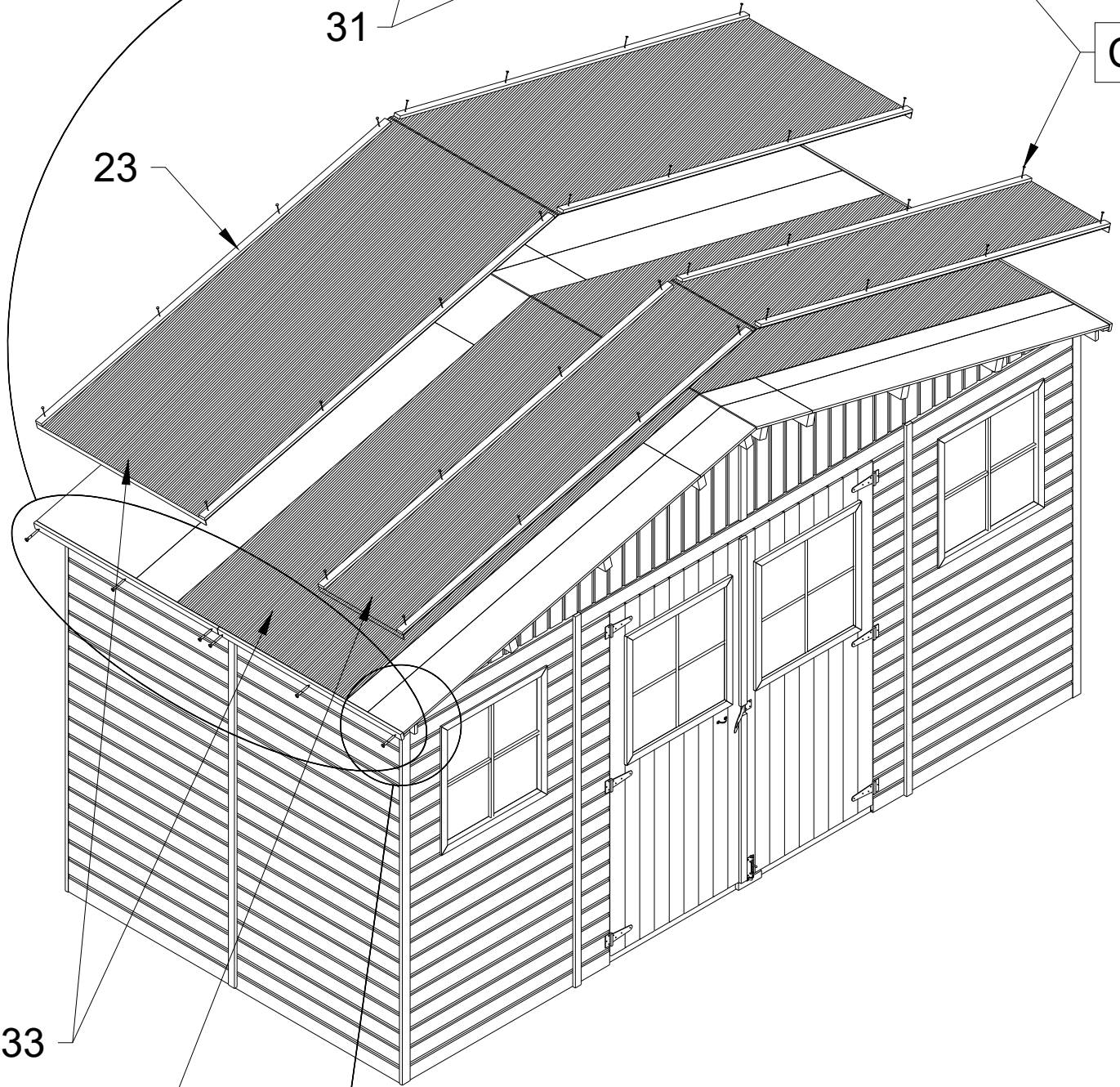
14

B x12



31

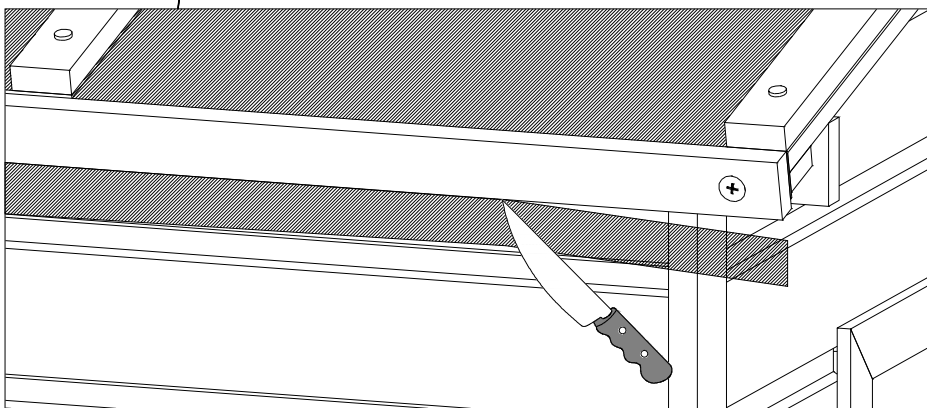
C x32



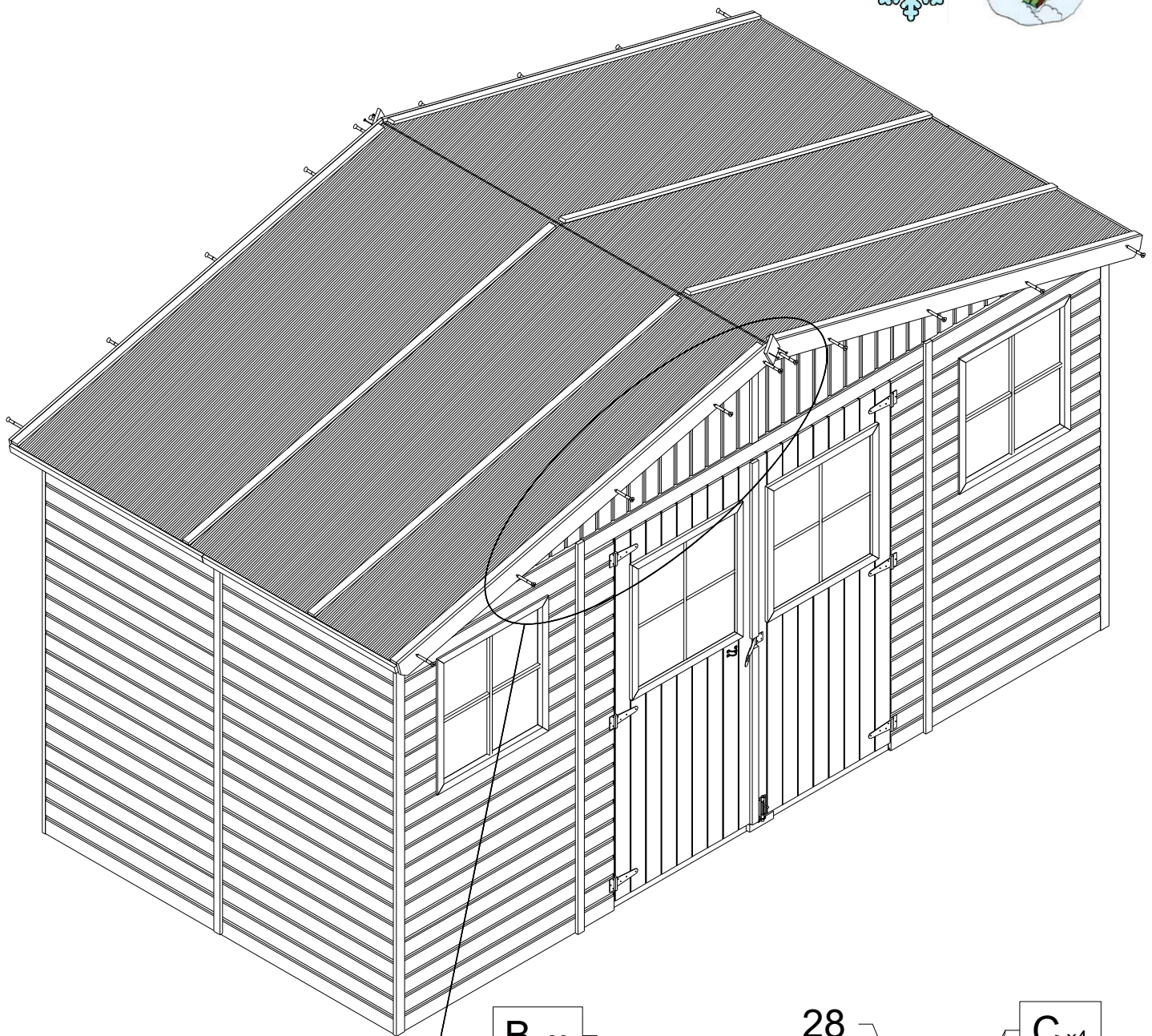
23

33

34



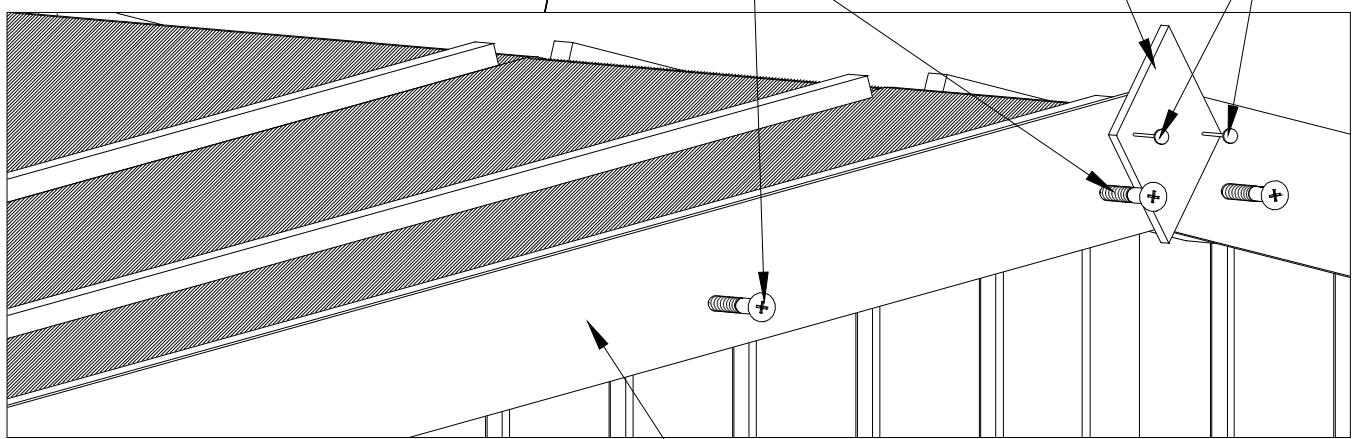
MAX  
30 kg/m<sup>2</sup>



B x20

28

C x4



22