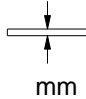
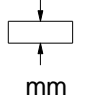
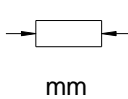



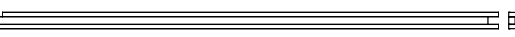
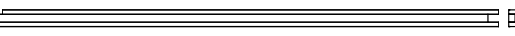
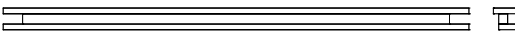
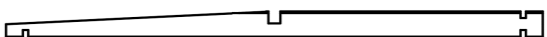


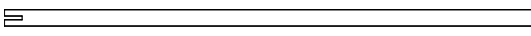
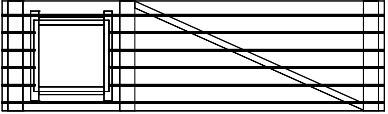
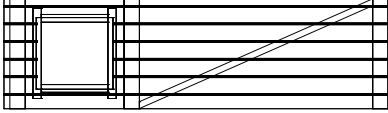


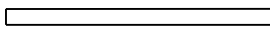
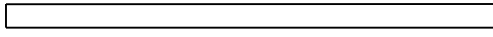
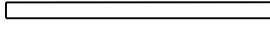
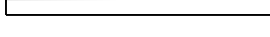
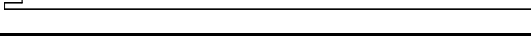
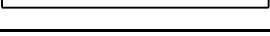


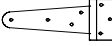
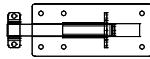
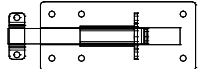


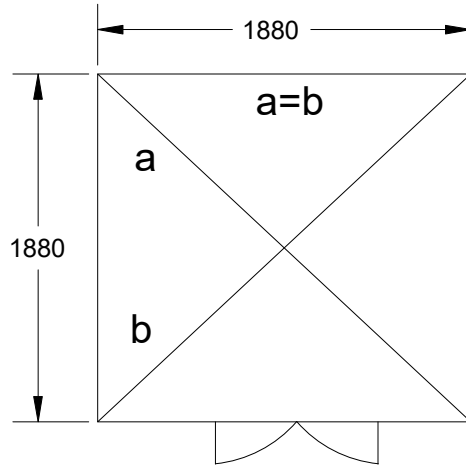
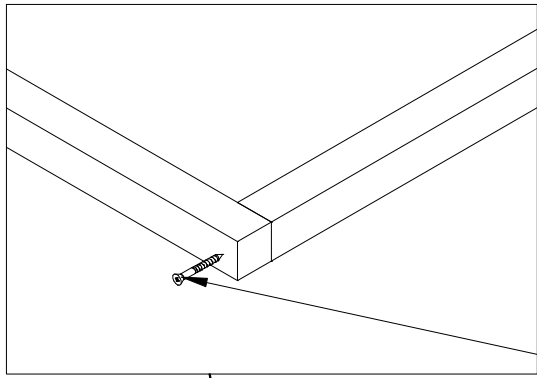
A	4x45	x 24
B	1.4x25	x 30
C	3x25	x 117
D	6x50	x 4
E	3x20	x 28

24

17

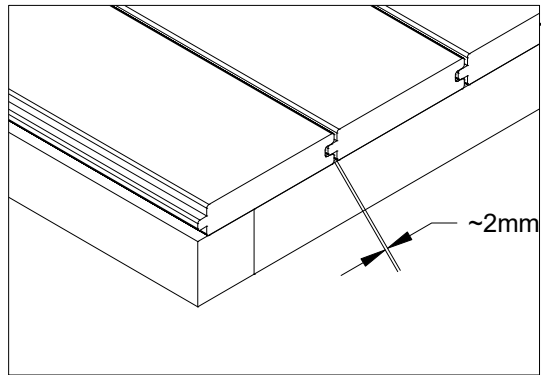
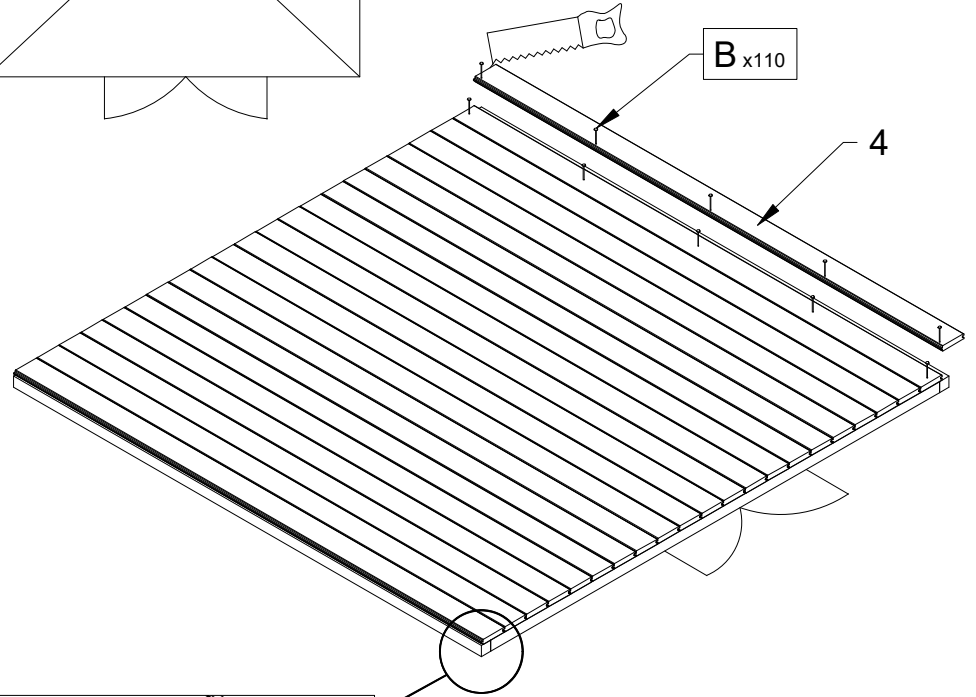
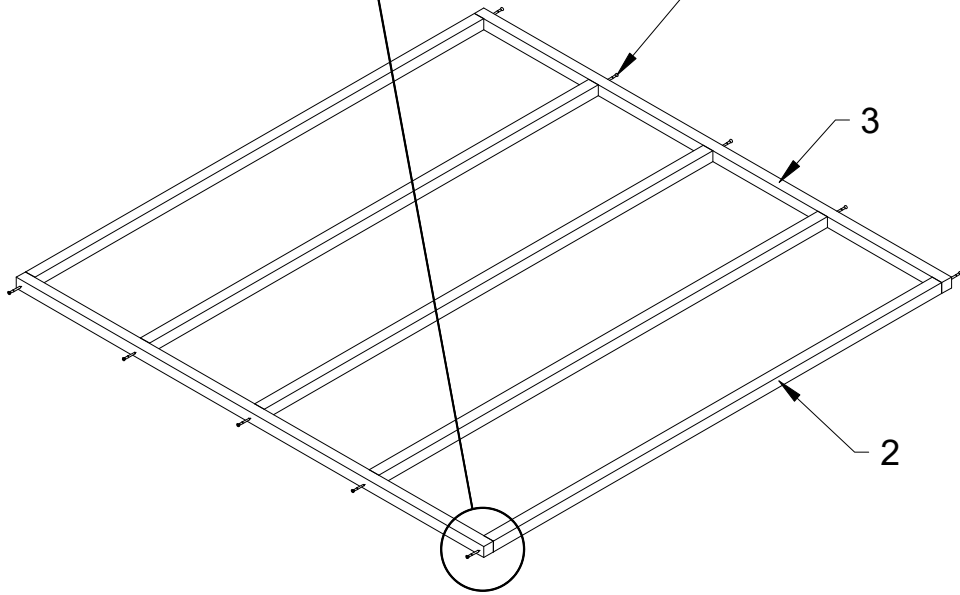
№		PCS	 mm	 mm	 mm
1		2	19	52	2000
2		64	19	92	2000
3		42	19	92	384
4		1	38	38	1842
5		1	38	38	1842
6		1	48	84	1290
7		2	19	92	2000
8		2	19	54	962
9		1	40	60	2000
10		2	15	35	1800
11		1		585	1760
12		1		585	1760
13		2	OSB	800	2010
14		1	OSB	400	2010
15		8	15	35	1000
16		3	13	92	2030
17		2	15	35	855
18		4	OSB	35	920
19		2	15	35	1700
20		1	15	69	1180
21		2		1000	2000
22		1		500	2000
23		6			
24		3			
25		1			




1



A x10

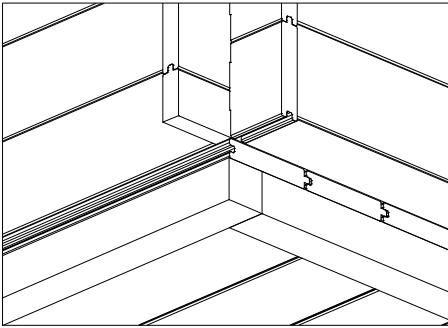
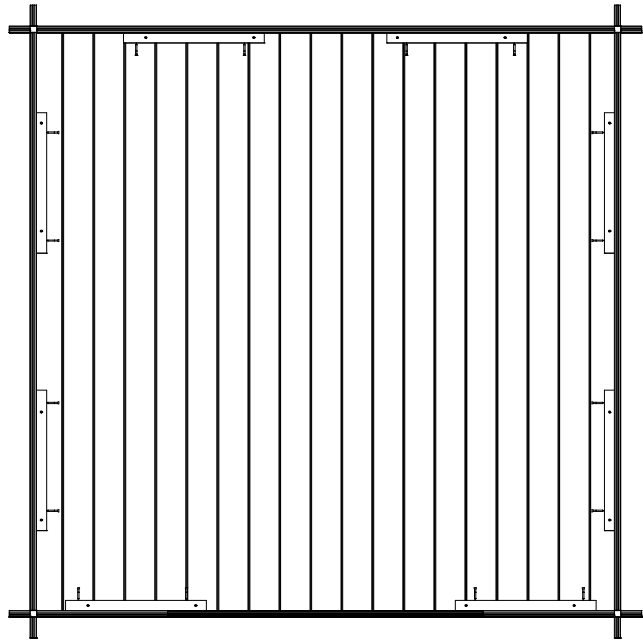
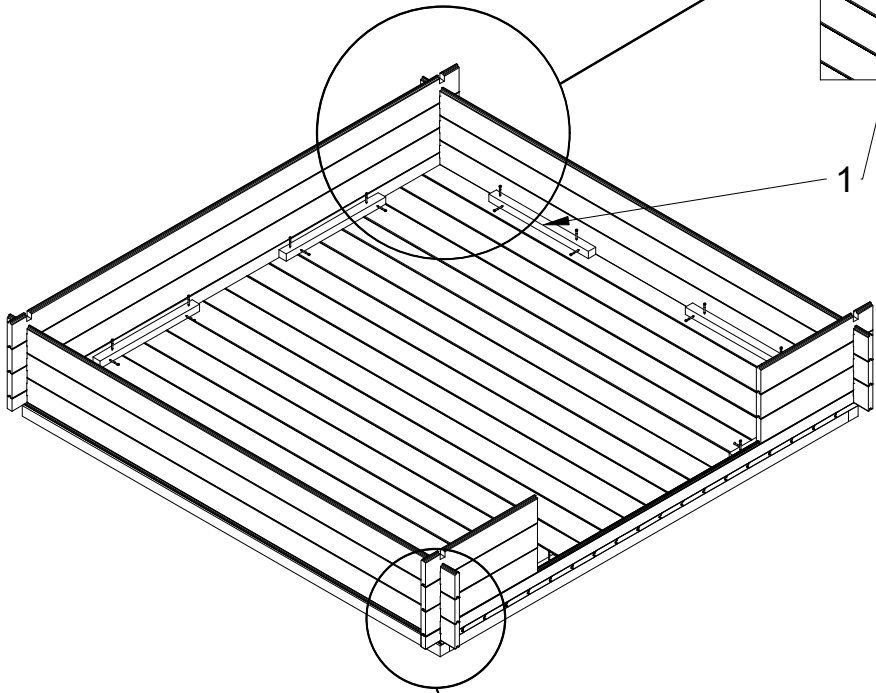
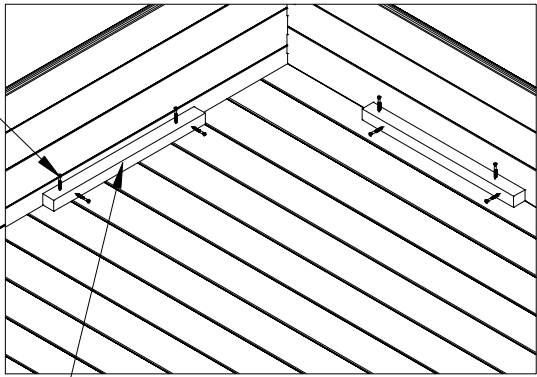
B x110



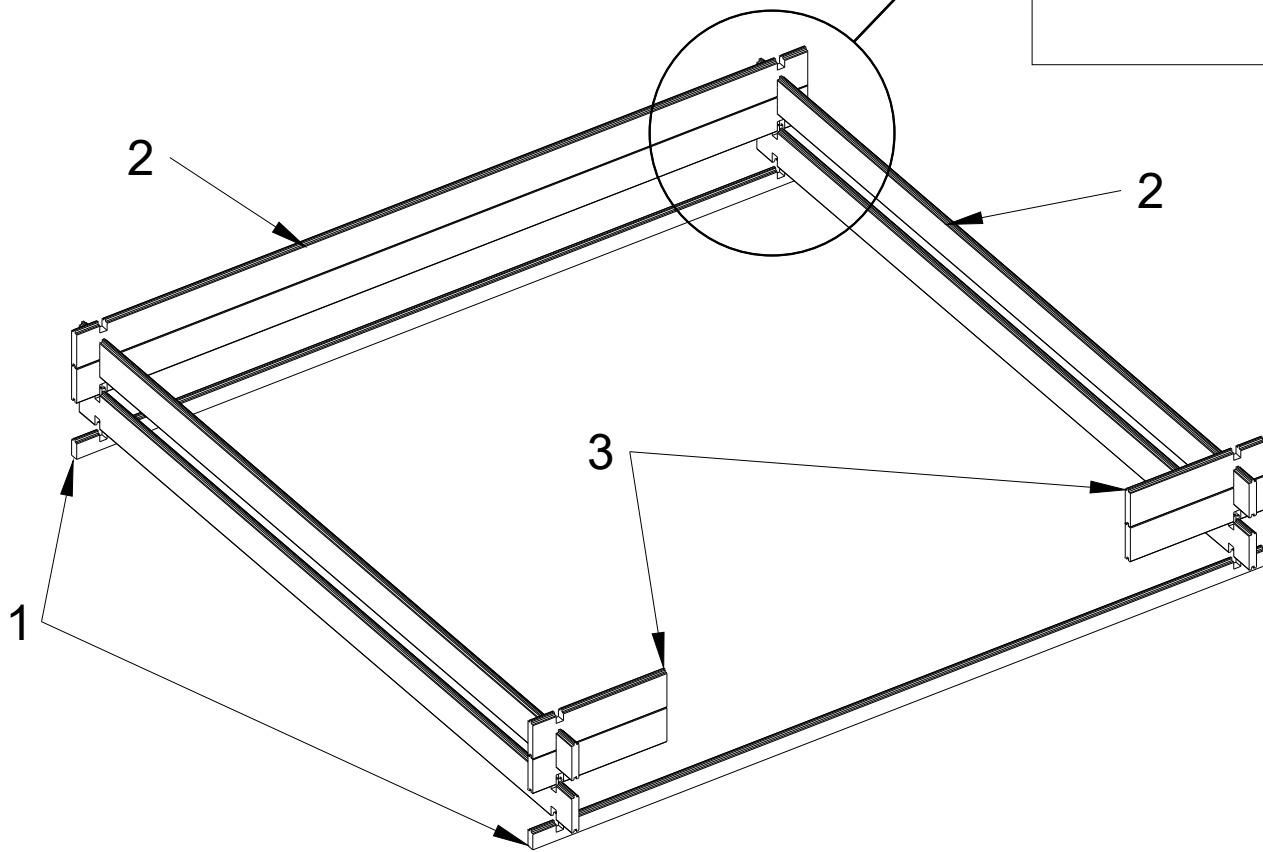
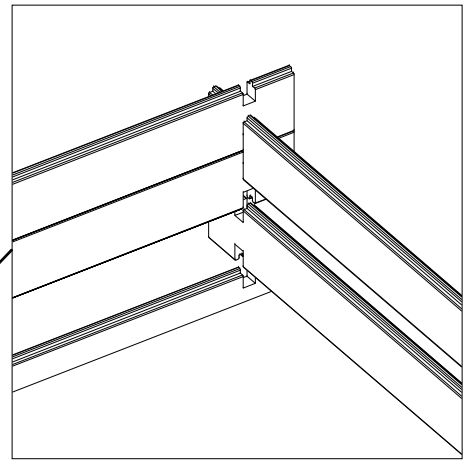
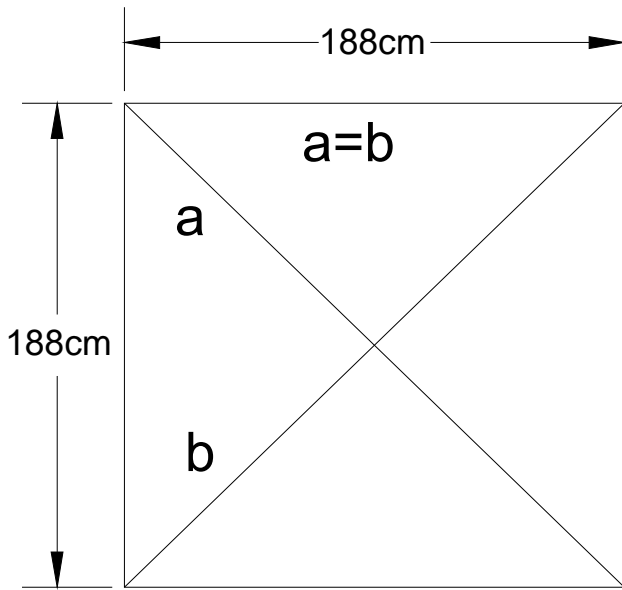
№	PCS	DIMENSIONS		
		25	30	200
1	8	25	30	200
2	5	38	38	1804
3	2	38	38	1880
4	22	19	92	1880
A	10	 M4x70		
B	110			
C	32	 M4x45		

2

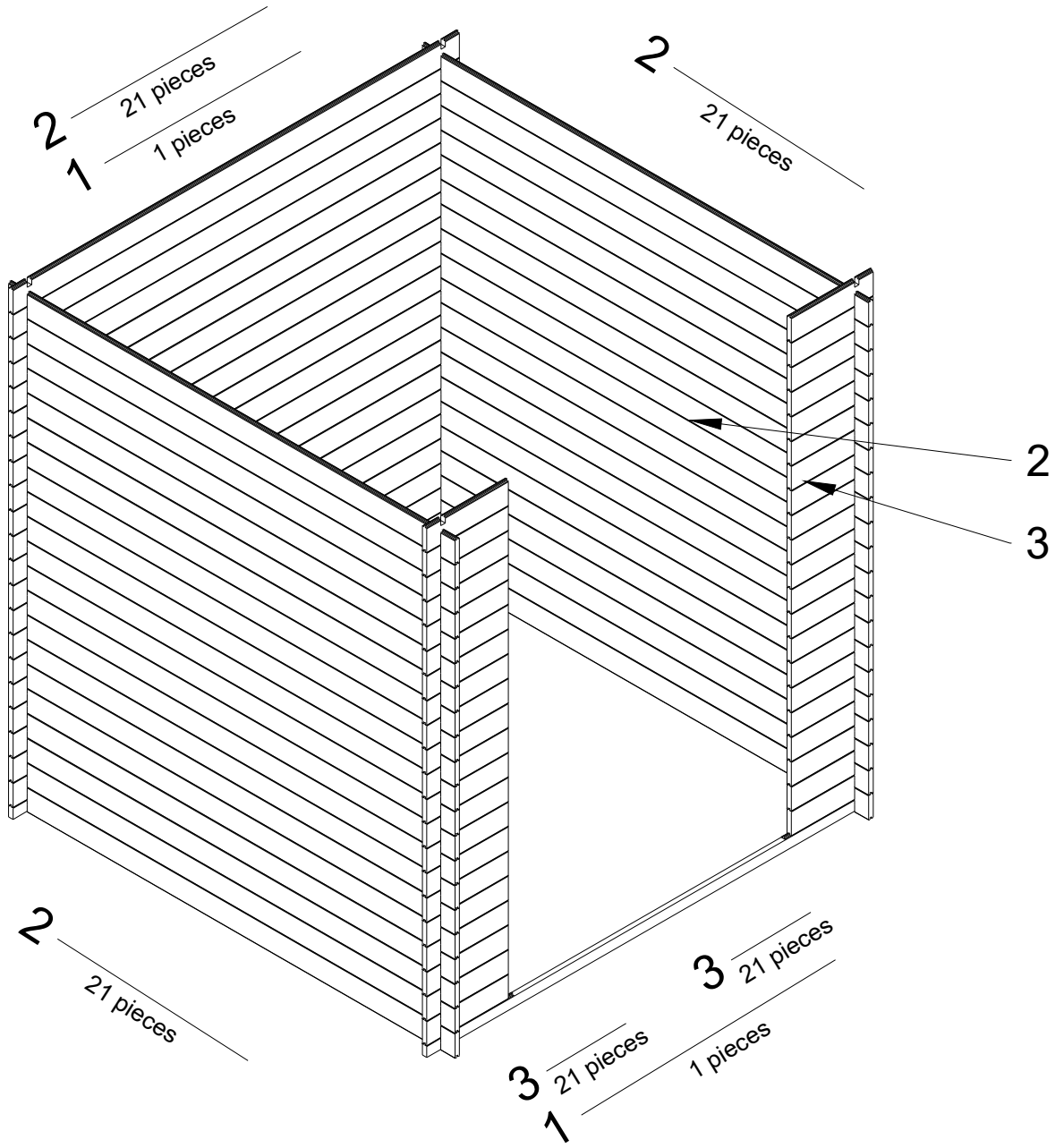
C x32



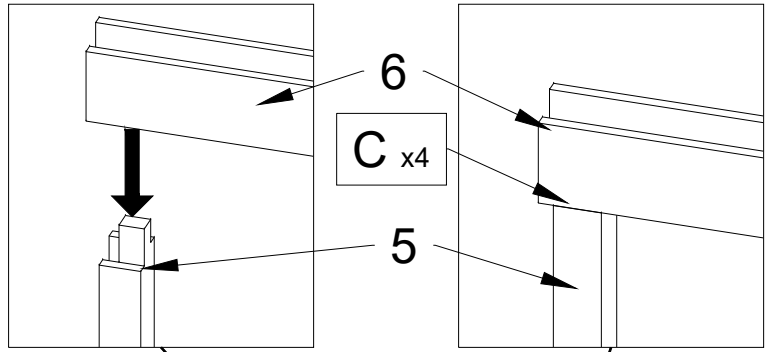
1



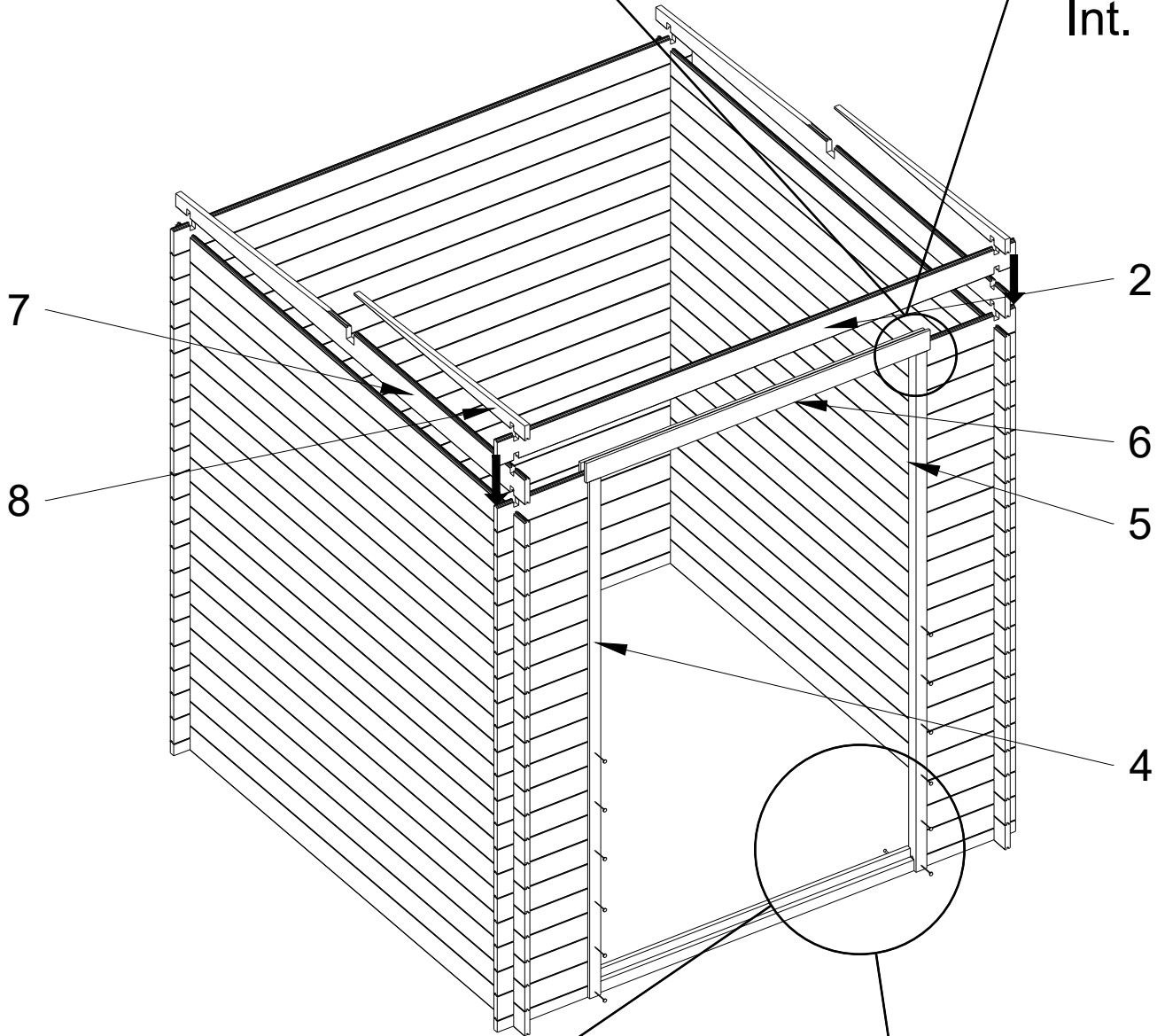
2



3

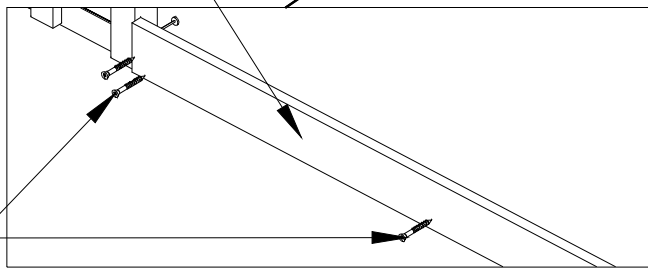


Int.

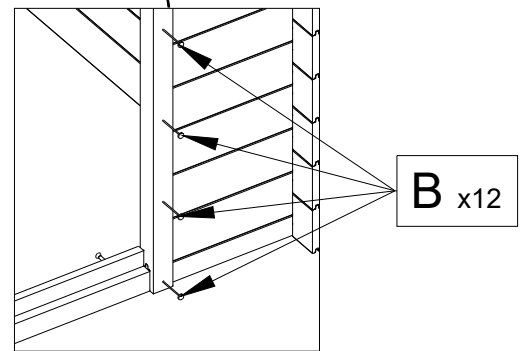


20

C x5



Int.



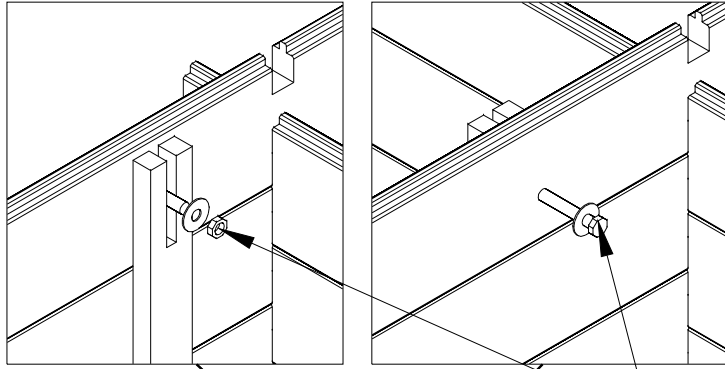
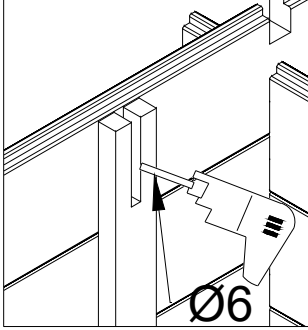
Ext.

4

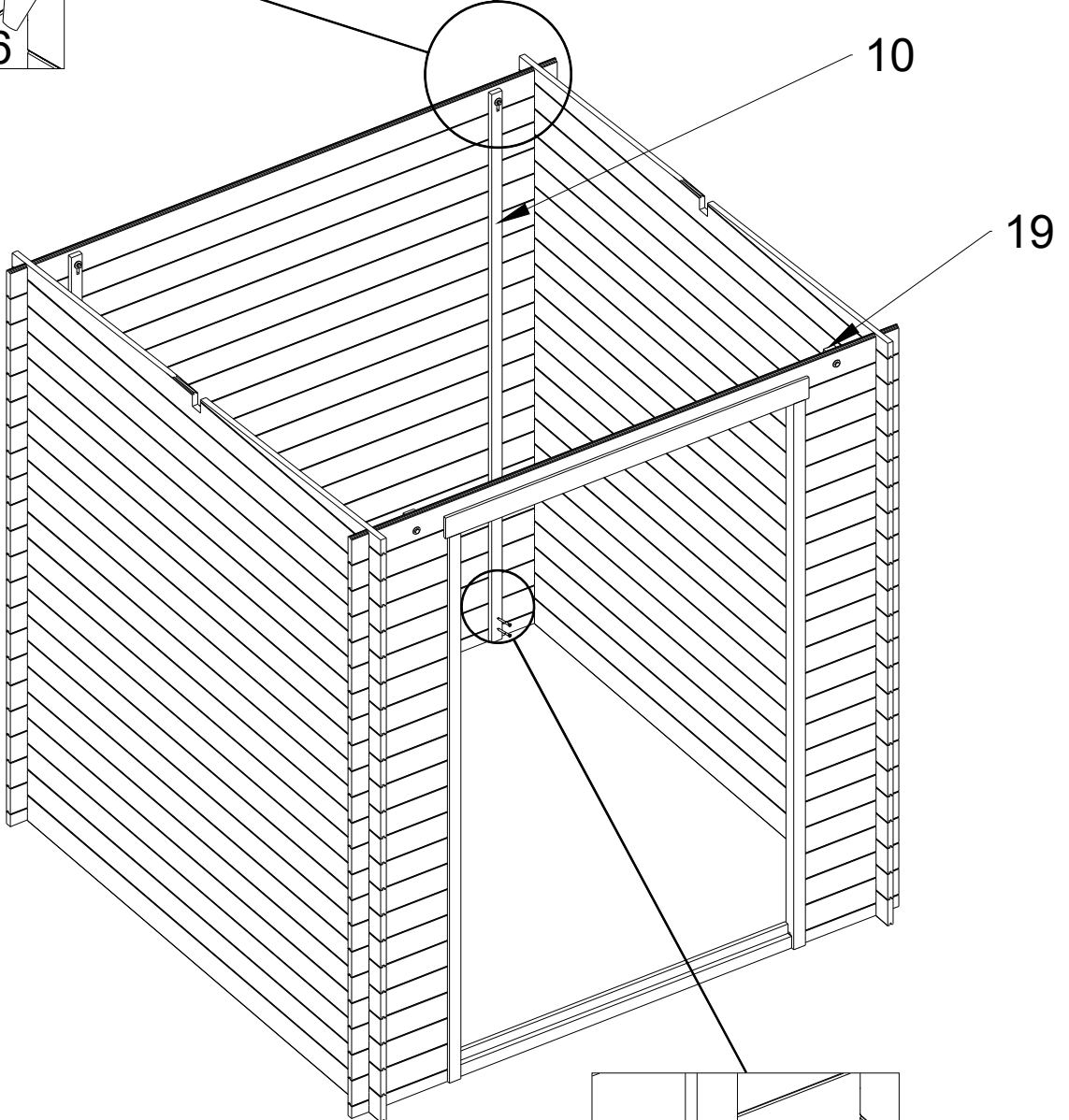
Int.

Ext.

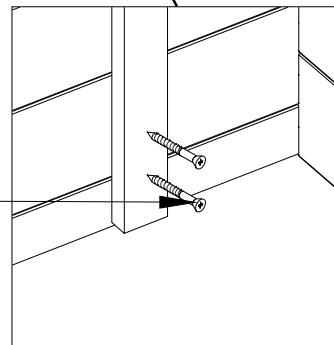
Int.



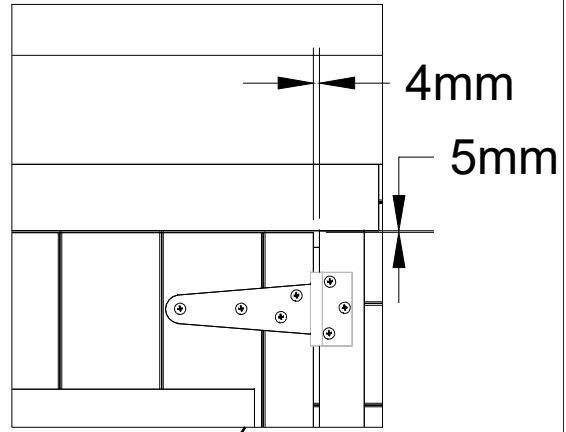
D x4



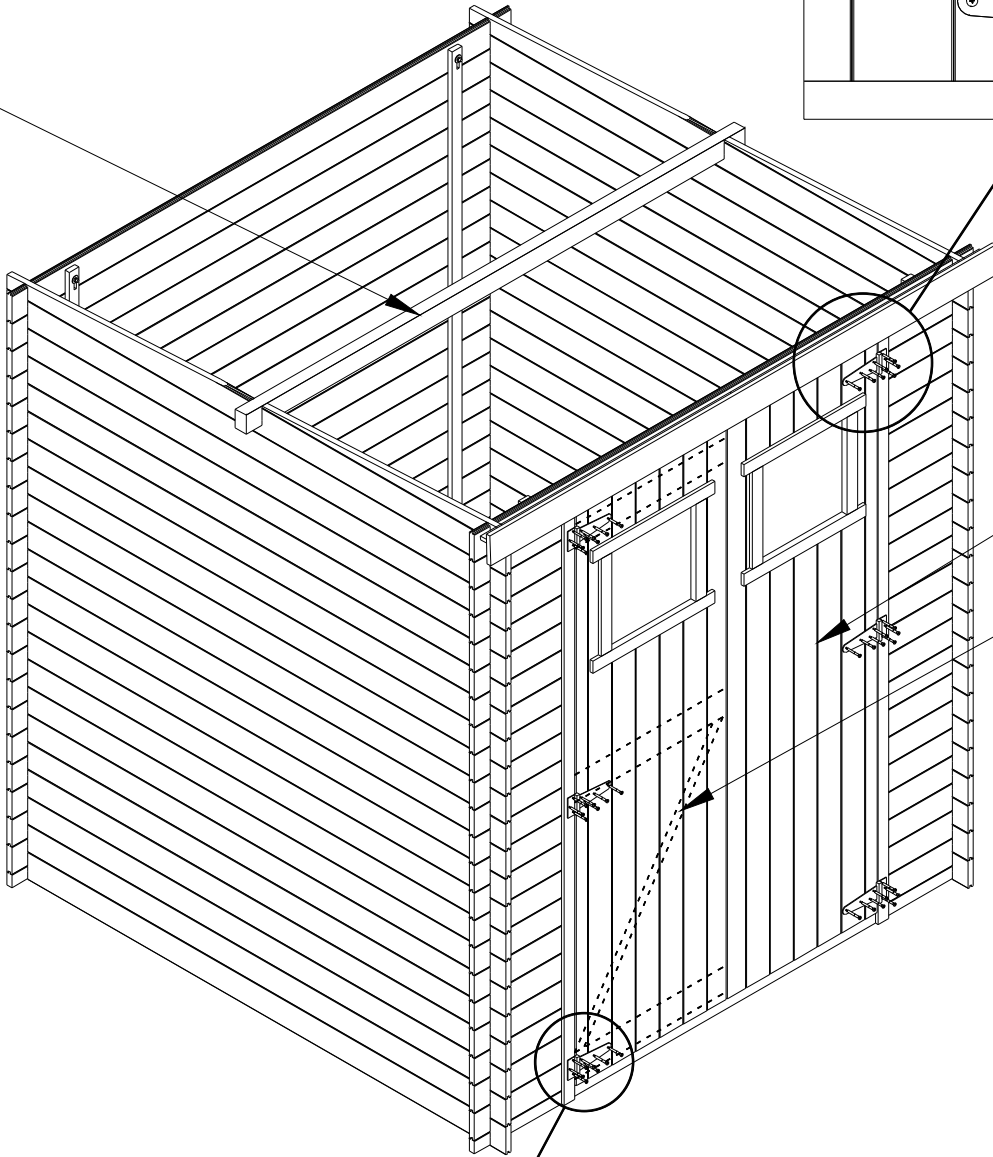
C x8



5



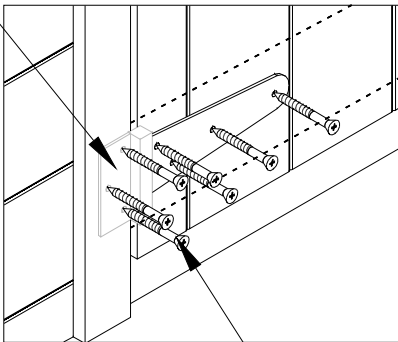
9



12

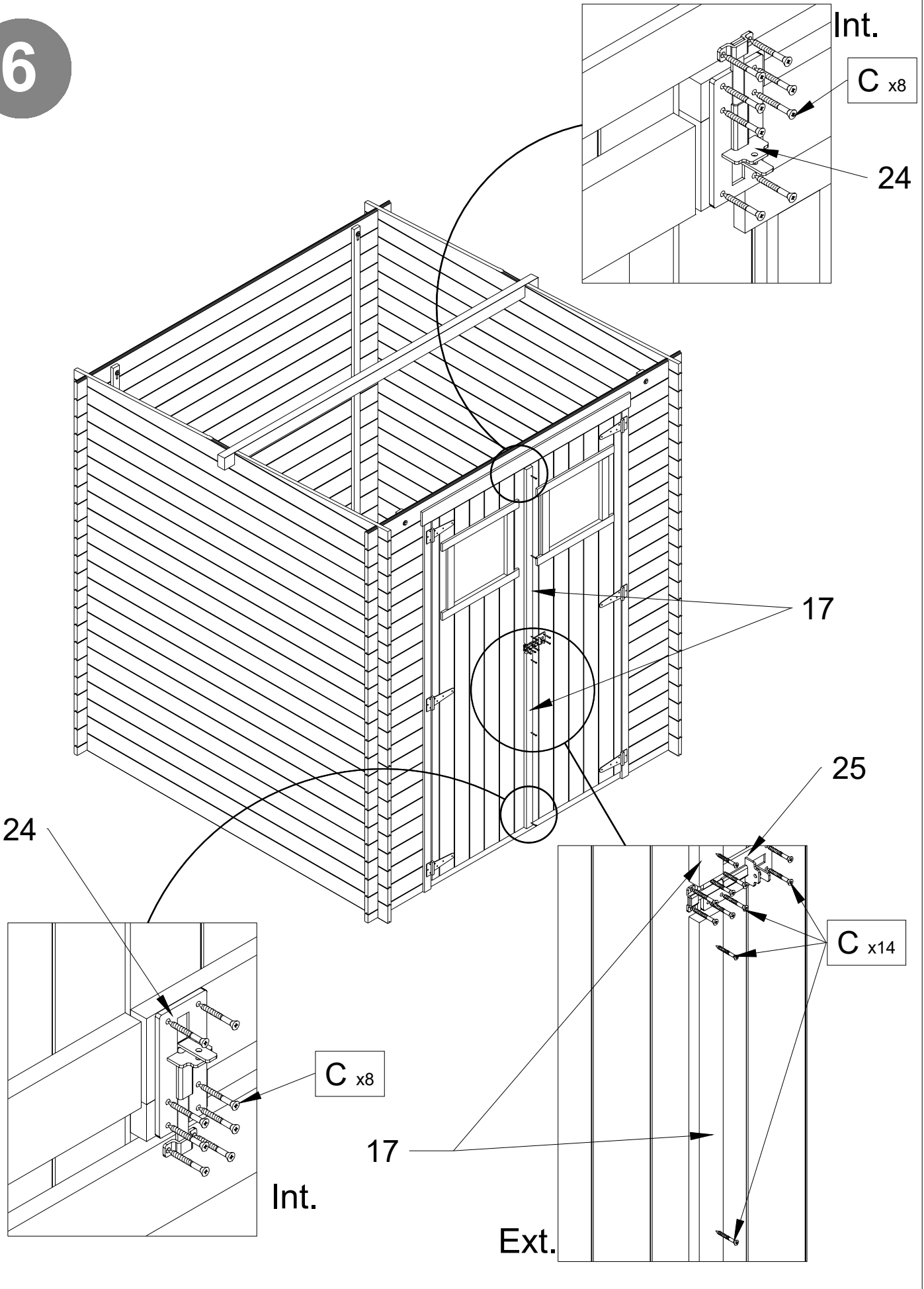
11

23



C x42

6

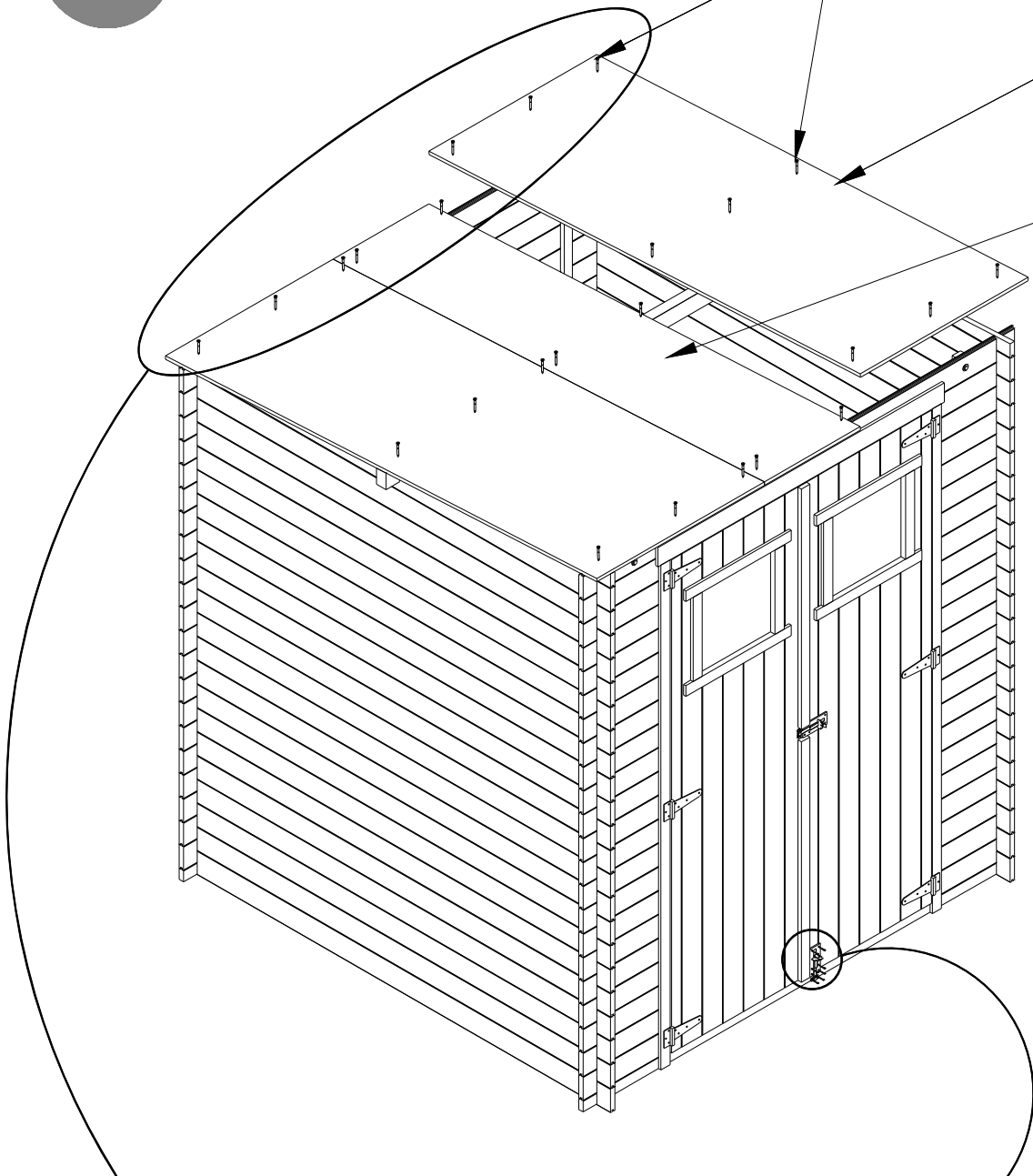


7

A x24

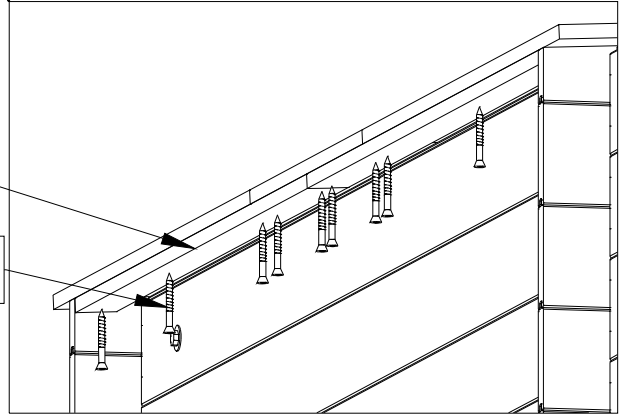
13

14



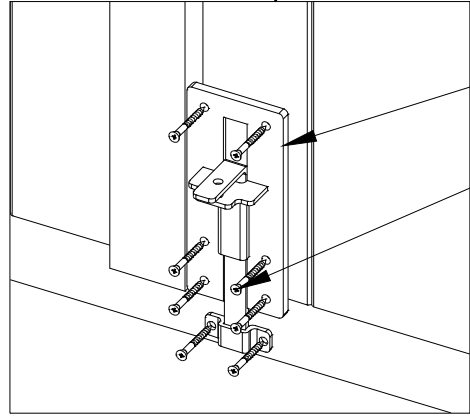
18

E x20

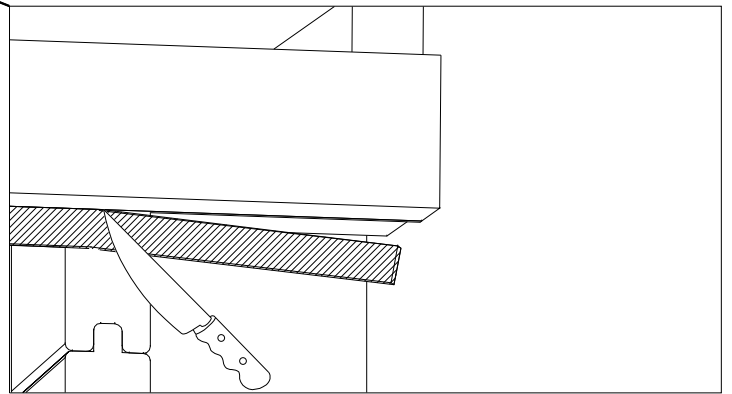
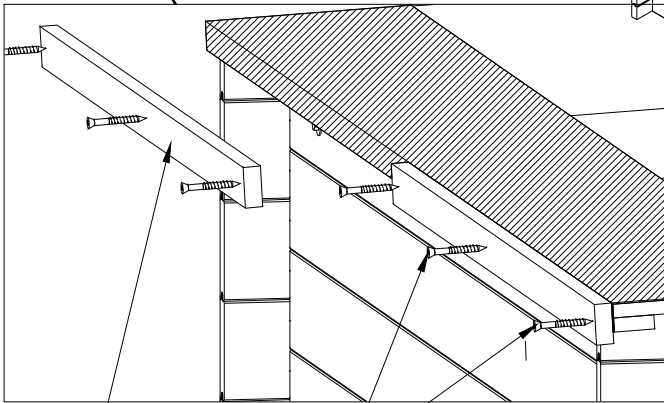
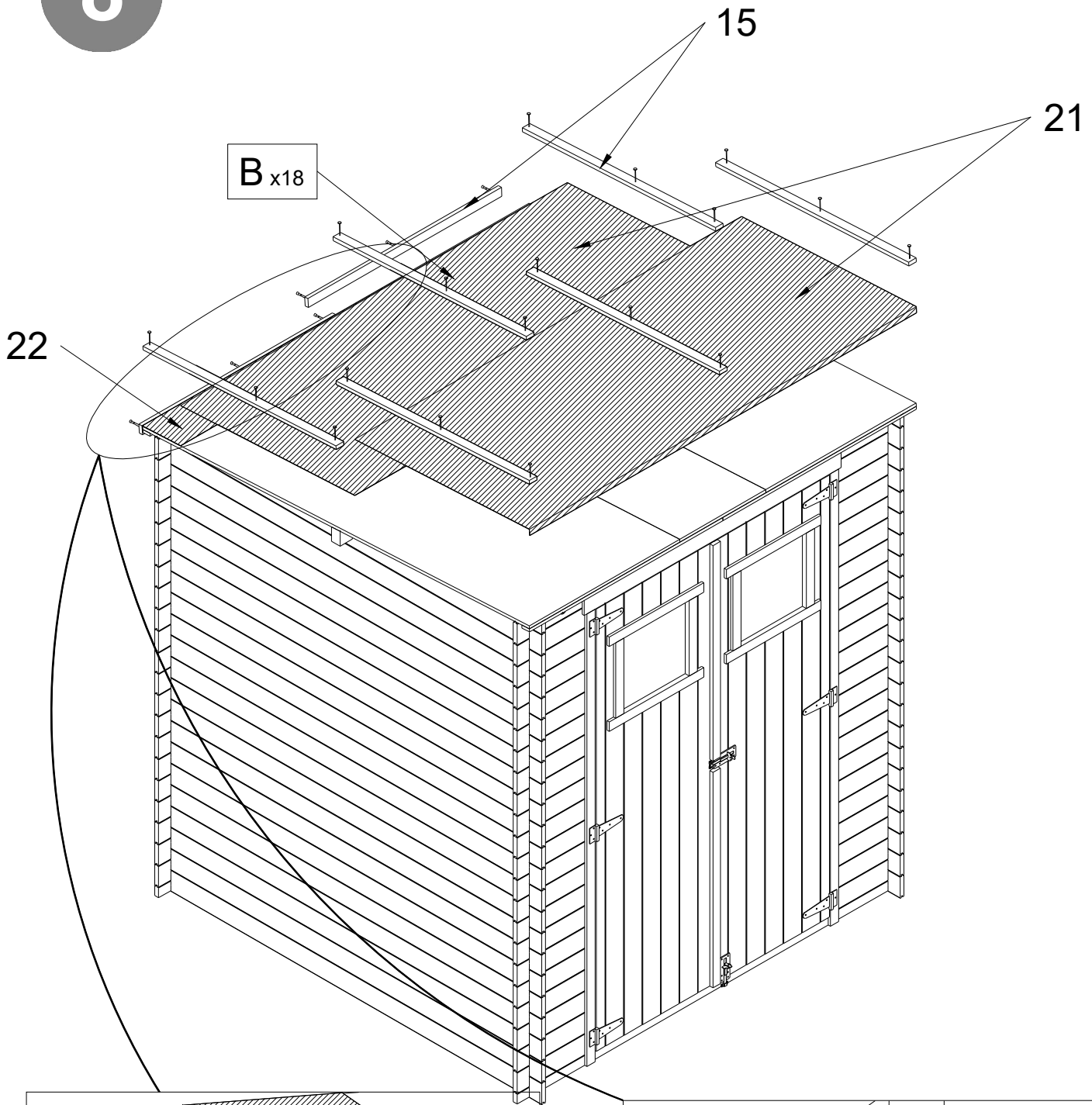


25

E x8



8



15

C_{x6}

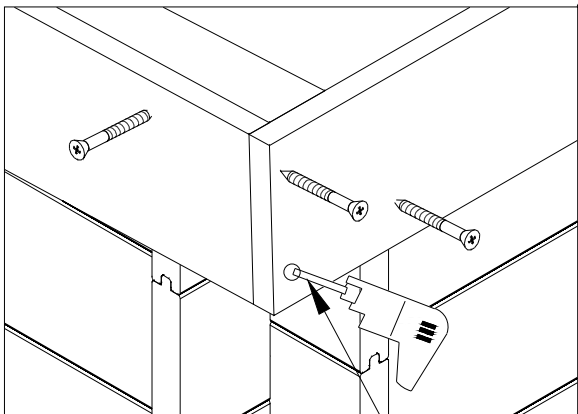
9

MAX
30 kg/m²



16

C x22



Ø3