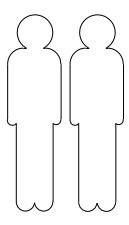

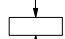
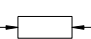
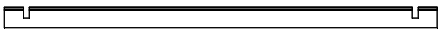
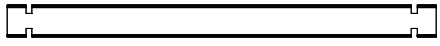


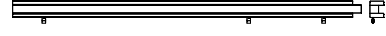
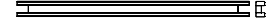


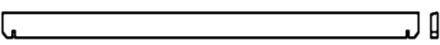
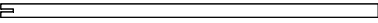
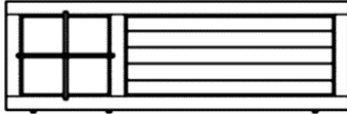
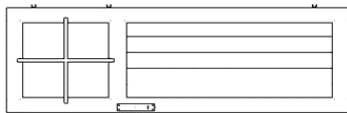


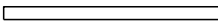
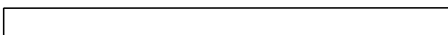
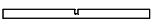
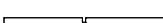

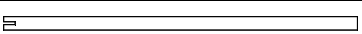
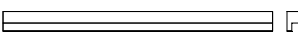


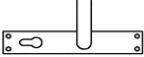

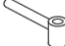
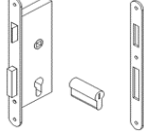
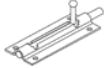
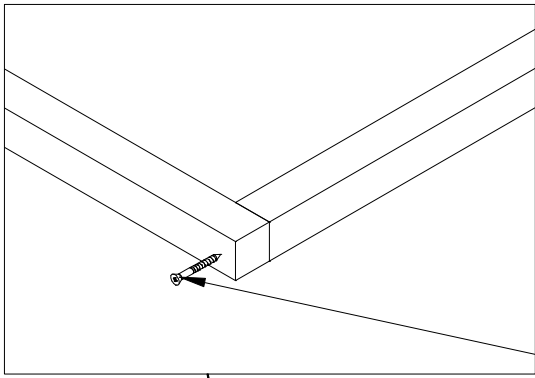


| | | |
|----------|--------|------|
| A | 4x45 | x 24 |
| B | 1.4x25 | x 26 |
| C | 3x25 | x 64 |
| D | 6x50 | x 4 |
| E | 3x20 | x 20 |
| F | 4x30 | x 5 |

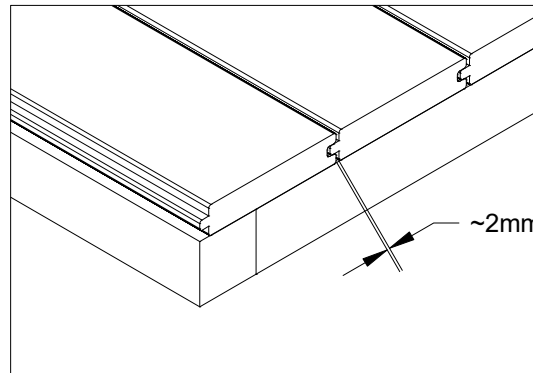
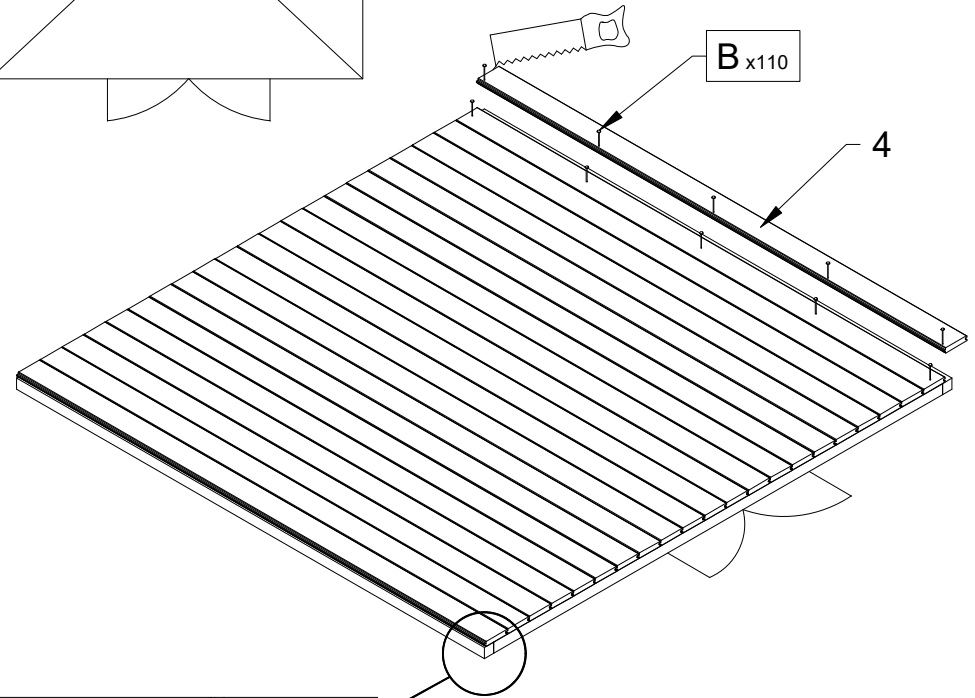
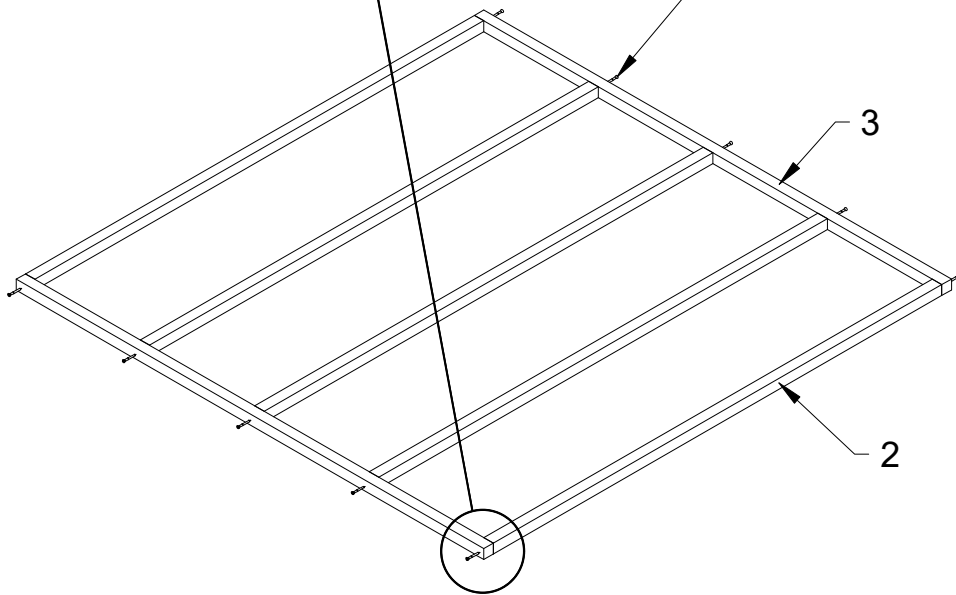
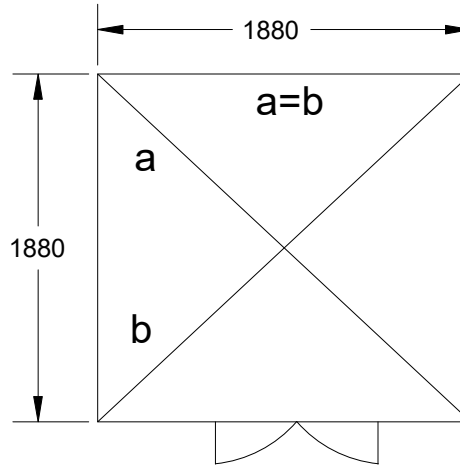


| № | | PCS |  mm |  mm |  mm |
|------|---|-----|---|--|--|
| 1 |  | 2 | 19 | 52 | 2000 |
| 2 |  | 64 | 19 | 92 | 2000 |
| 3 |  | 42 | 19 | 92 | 384 |
| 4 |  | 1 | 40 | 70 | 1795 |
| 5 |  | 1 | 40 | 70 | 1795 |
| 6 |  | 1 | 40 | 70 | 1320 |
| 7 |  | 2 | 19 | 92 | 2000 |
| 8 |  | 2 | 19 | 54 | 962 |
| 9 |  | 1 | 40 | 60 | 2000 |
| 10 |  | 2 | 15 | 35 | 1800 |
| 11 |  | 1 | | 582 | 1754 |
| 12 |  | 1 | | 582 | 1754 |
| 13 |  | 2 | OSB | 800 | 2010 |
| 14 |  | 1 | OSB | 400 | 2010 |
| 15 |  | 8 | 15 | 35 | 1000 |
| 16 |  | 3 | 13 | 92 | 2030 |
| 17 |  | 2 | 15 | 15 | 480 |
| 17.1 |  | 2 | 15 | 15 | 500 |
| 18 |  | 4 | OSB | 35 | 920 |
| 19 |  | 2 | 15 | 35 | 1700 |
| 20 |  | 1 | 27 | 35 | 1140 |
| 21 |  | 2 | | 1000 | 2000 |
| 22 |  | 1 | | 500 | 2000 |
| 23 |  | 1 | | | |
| 24 |  | 6 | | | |
| 25 |  | 6 | | | |
| 26 |  | 1 | | | |
| 27 |  | 2 | | | |




1



A x10

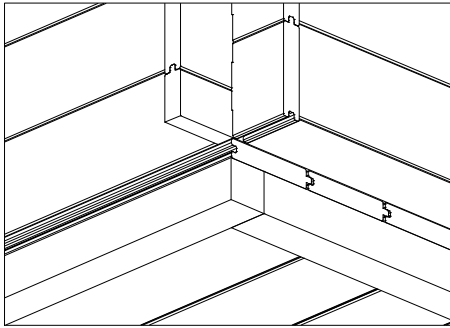
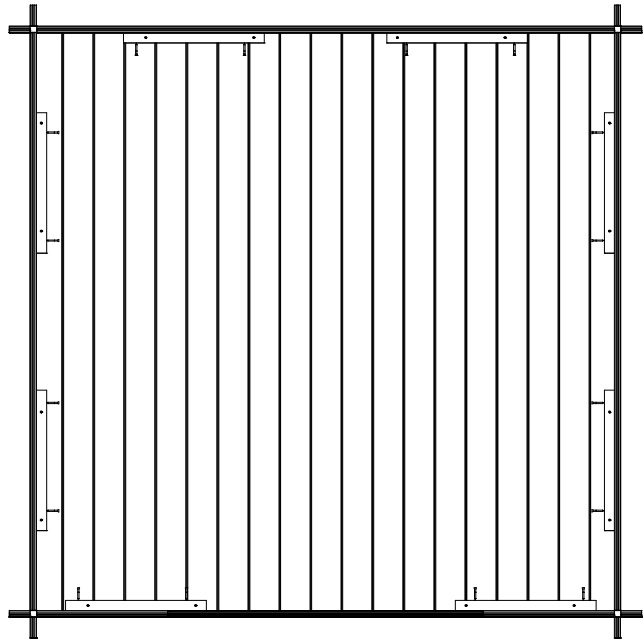
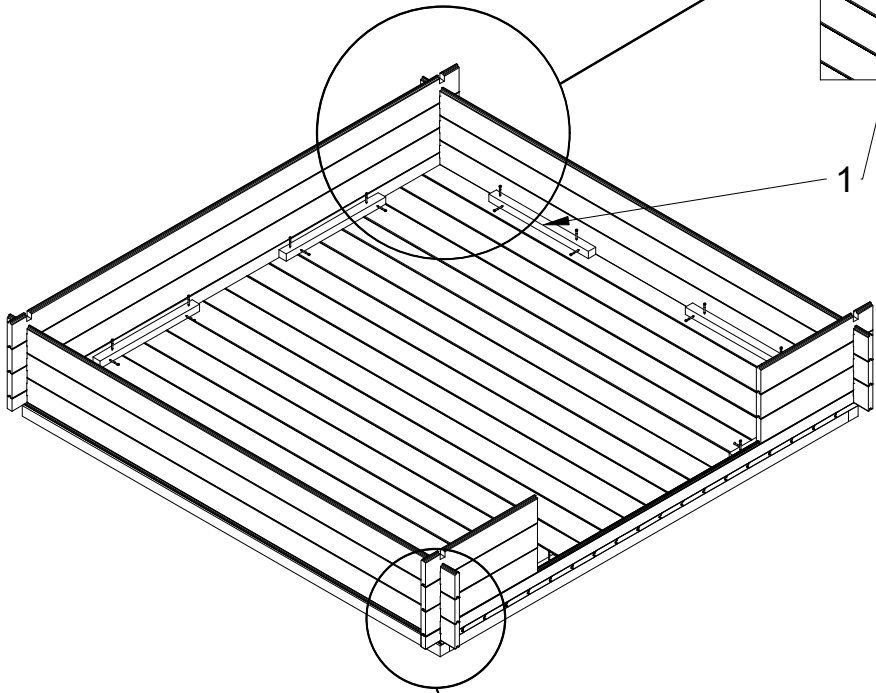
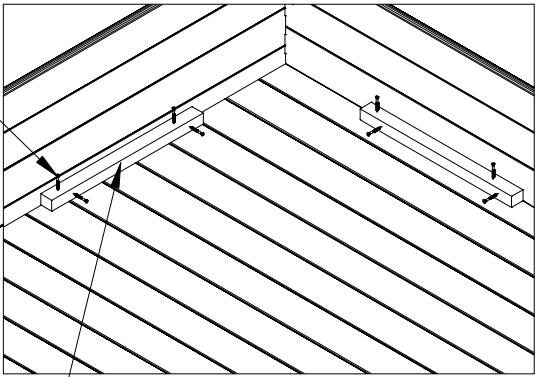


~2mm

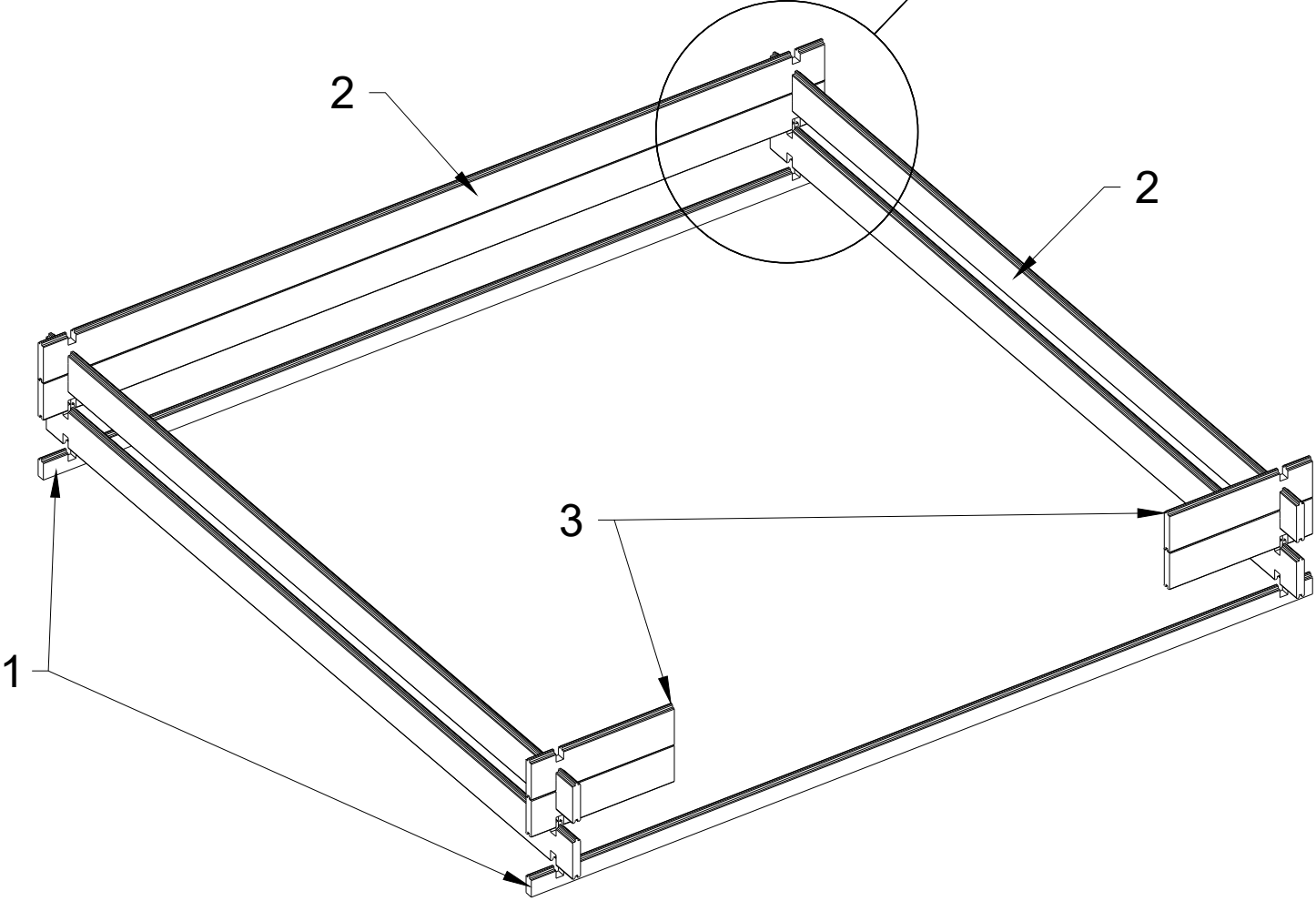
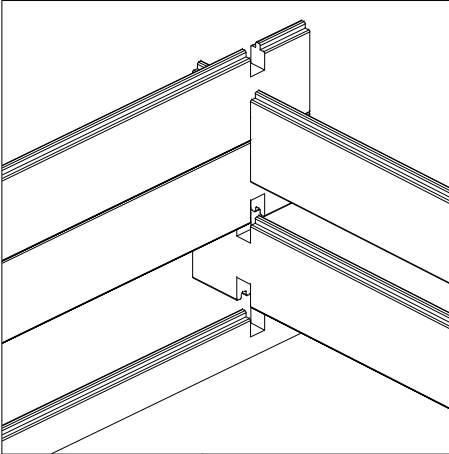
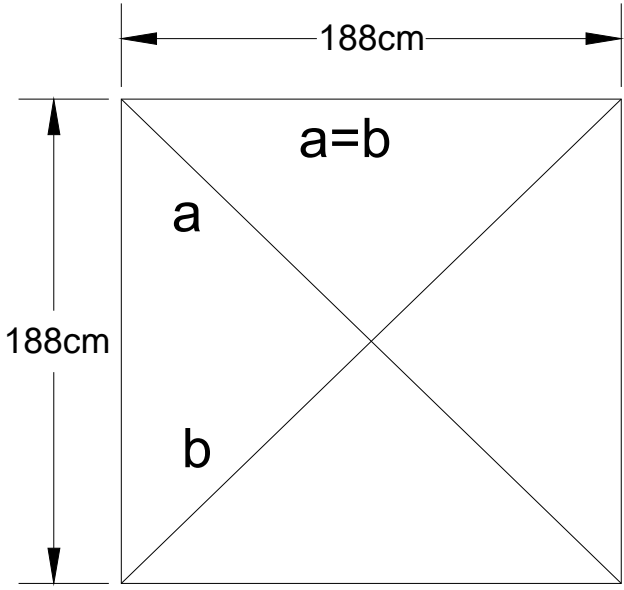
| № | PCS | DIMENSIONS | | |
|---|-----|---|----|------|
| | | 25 | 30 | 200 |
| 1 | 8 | 25 | 30 | 200 |
| 2 | 5 | 38 | 38 | 1804 |
| 3 | 2 | 38 | 38 | 1880 |
| 4 | 22 | 19 | 92 | 1880 |
| A | 10 |  M4x70 | | |
| B | 110 |  | | |
| C | 32 |  M4x45 | | |

2

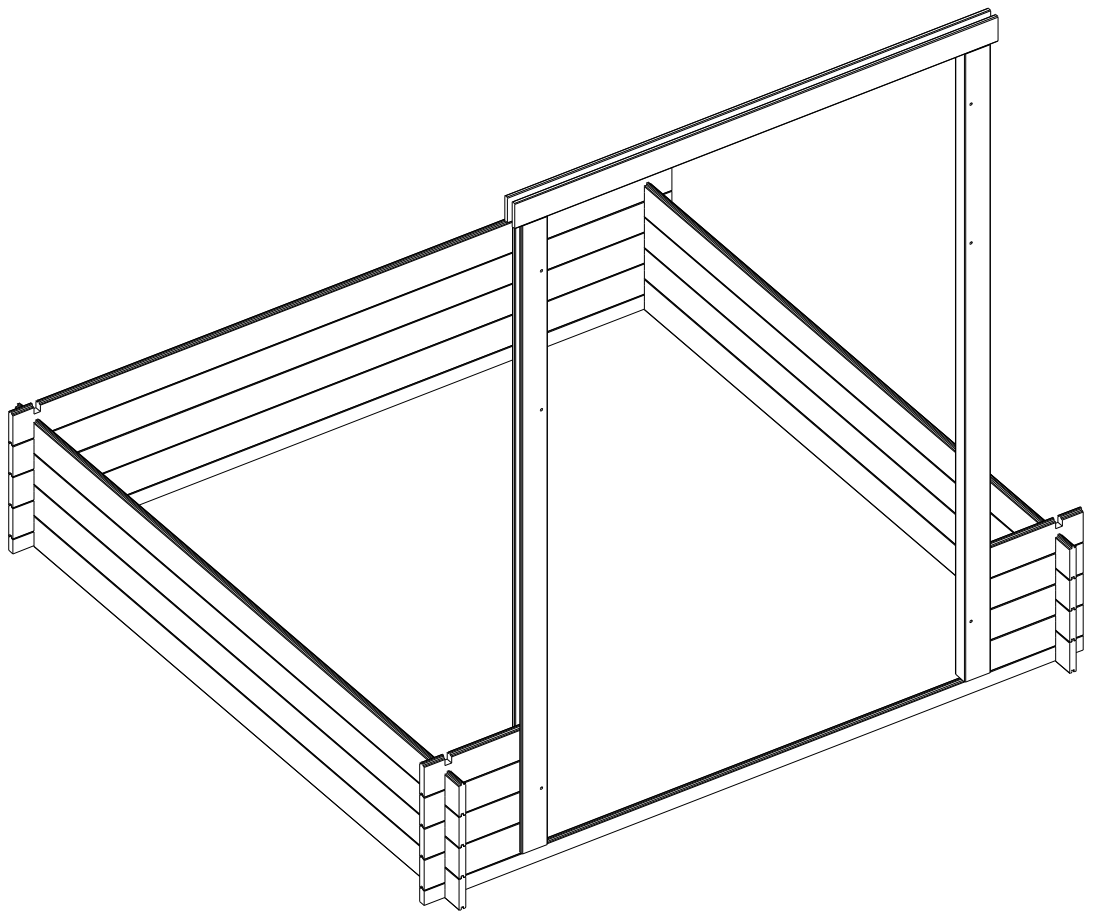
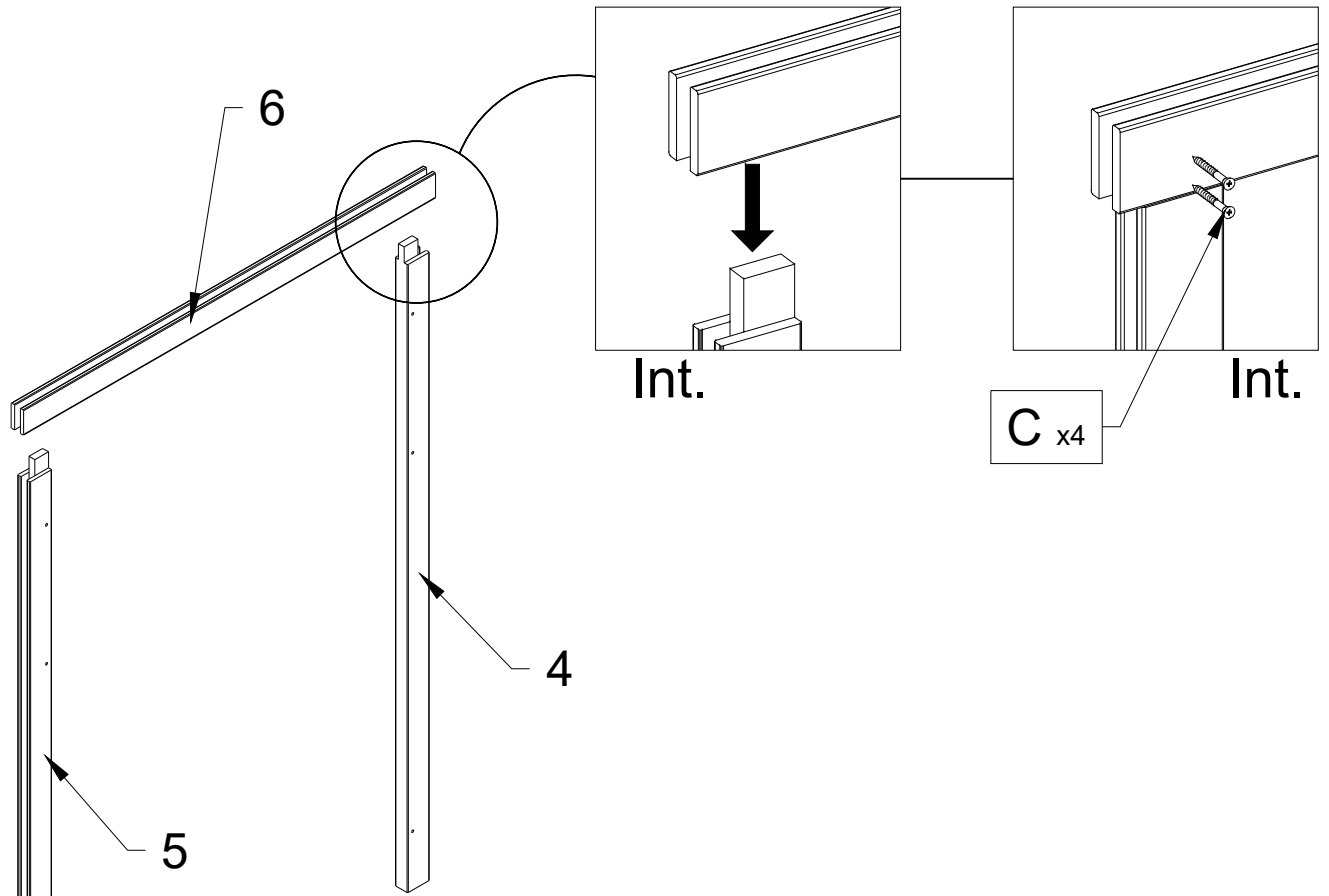
C x32

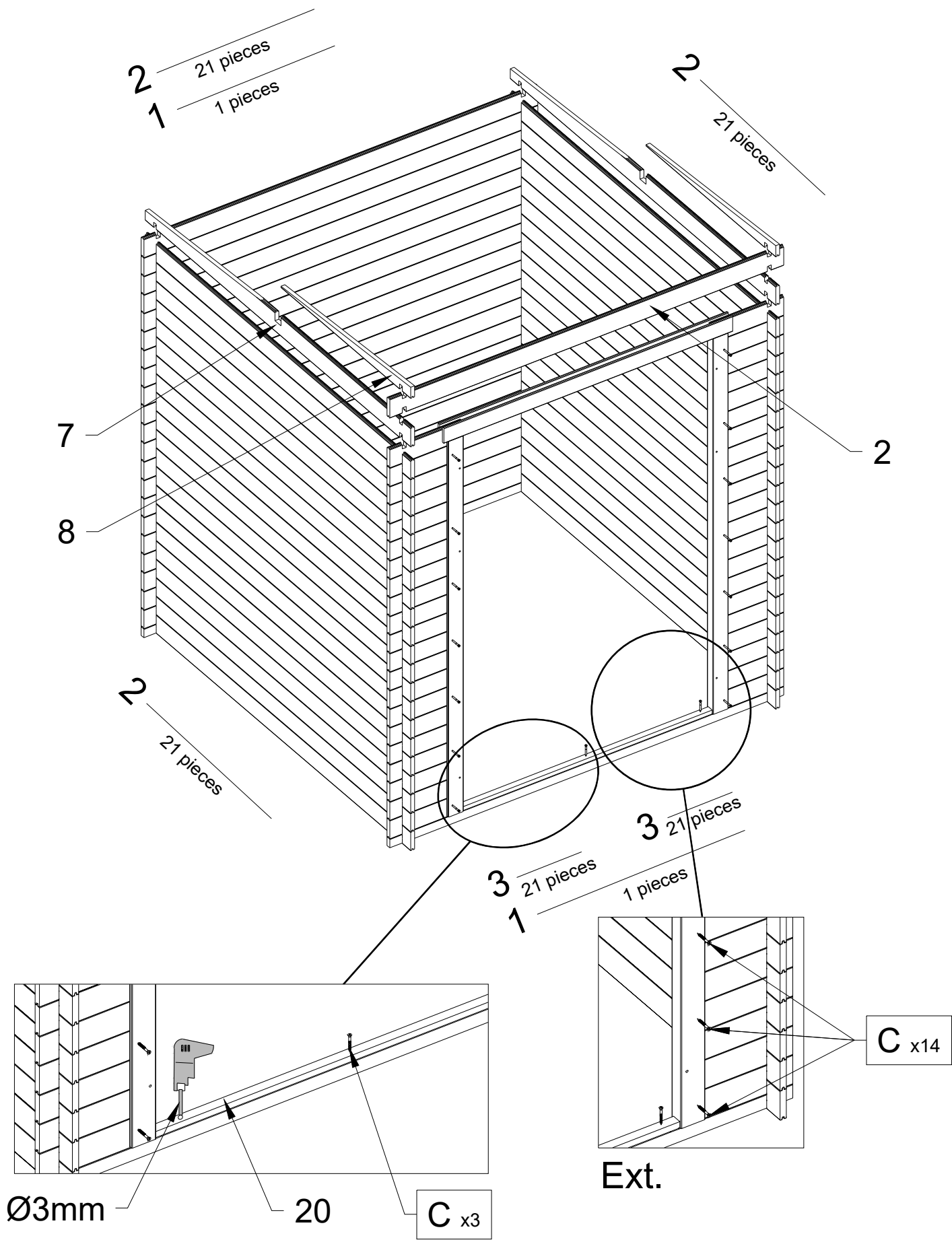


1

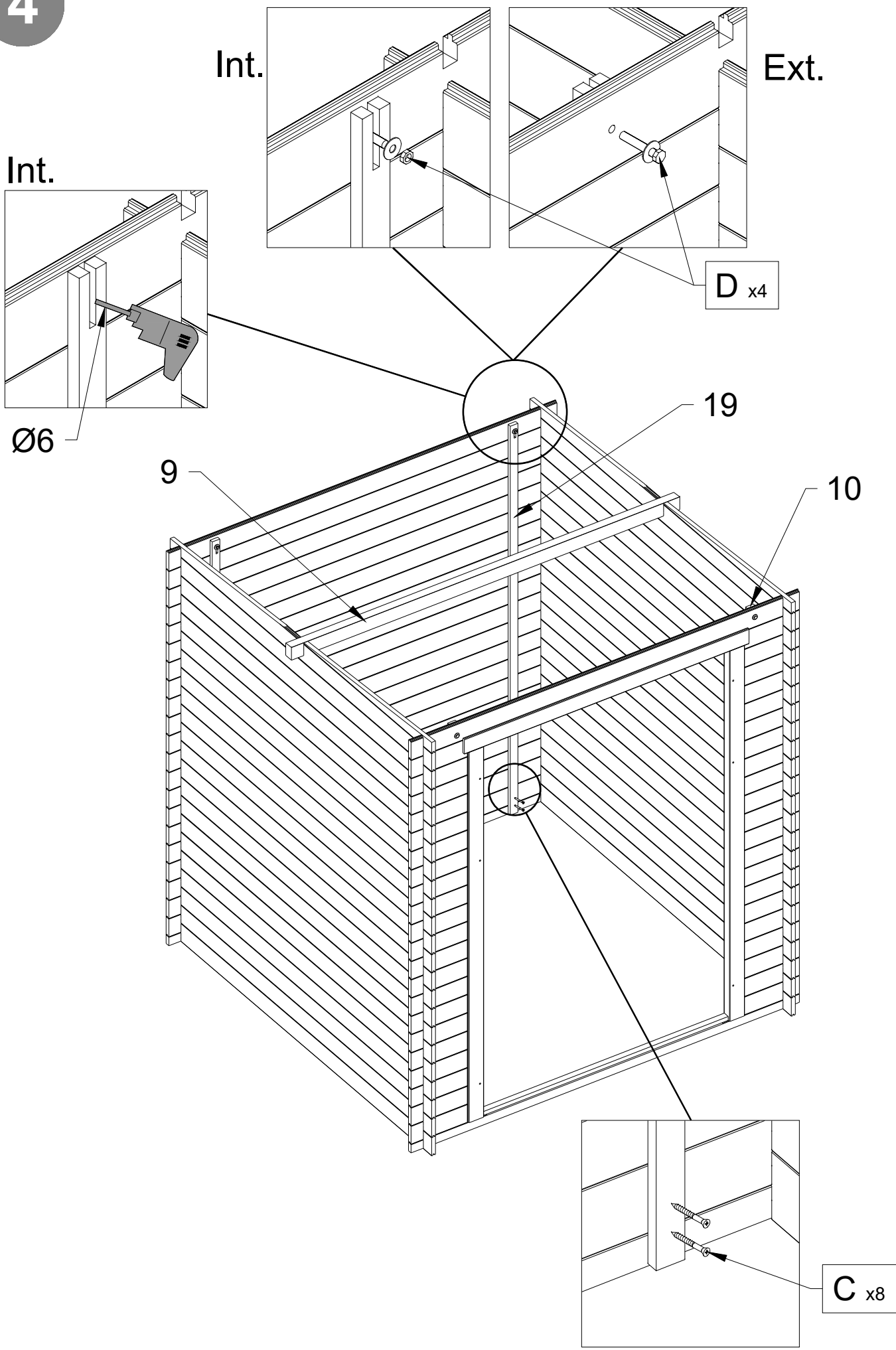


2



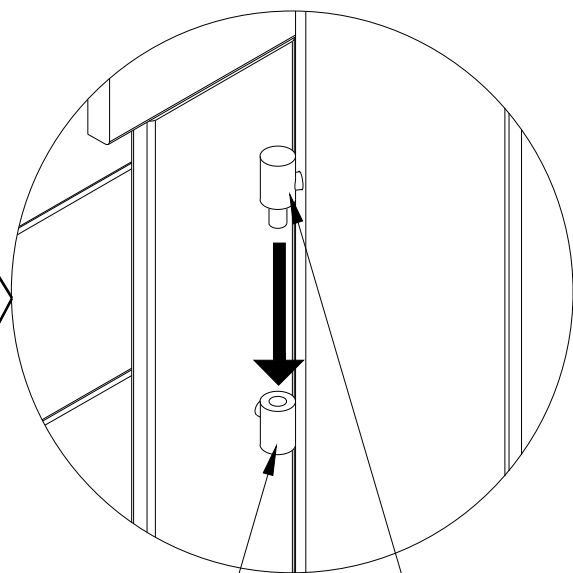


4



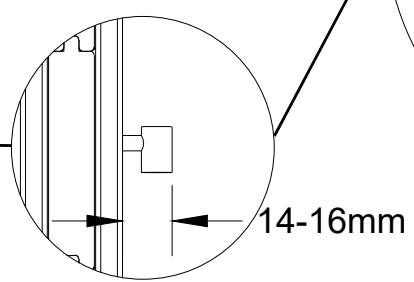
5

14-16mm

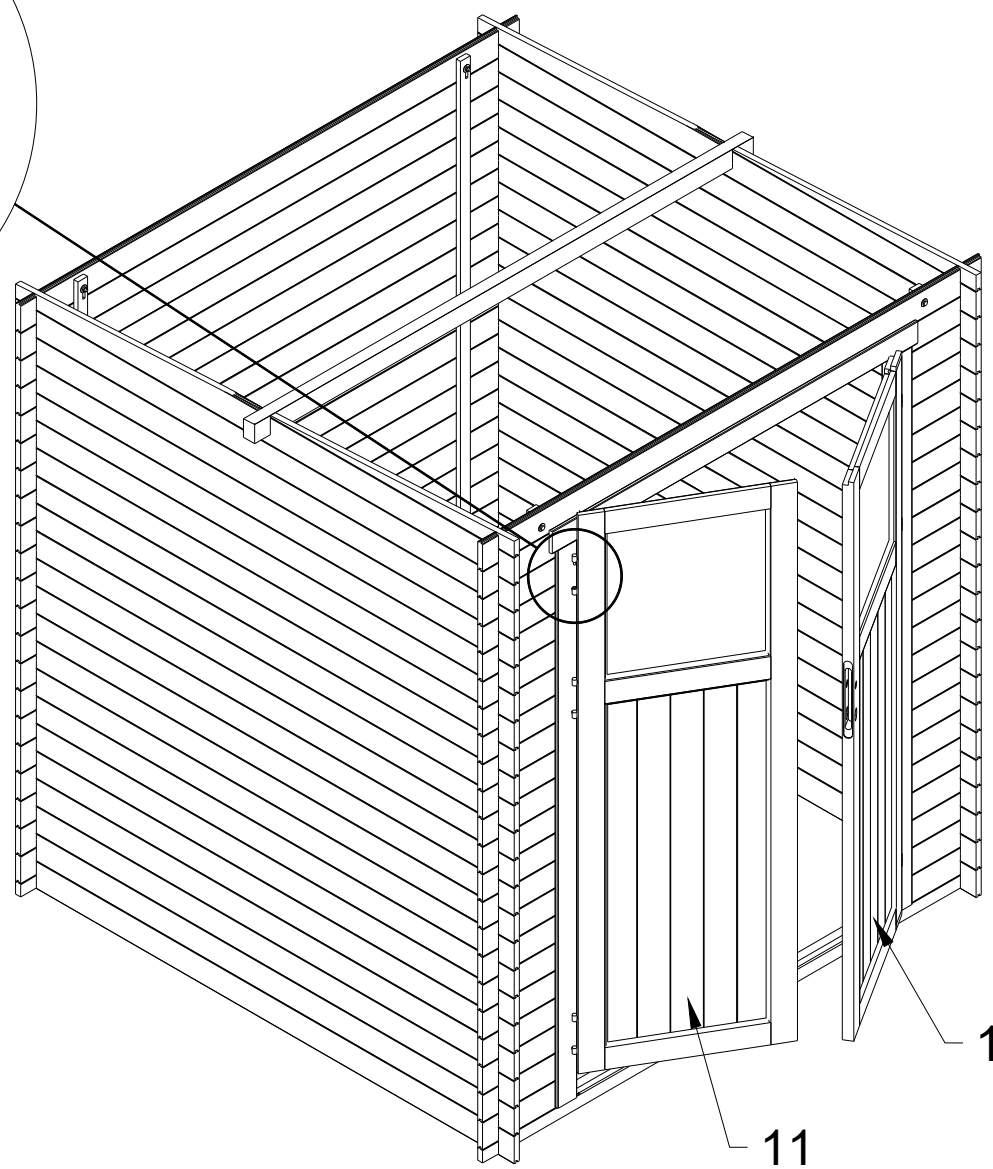
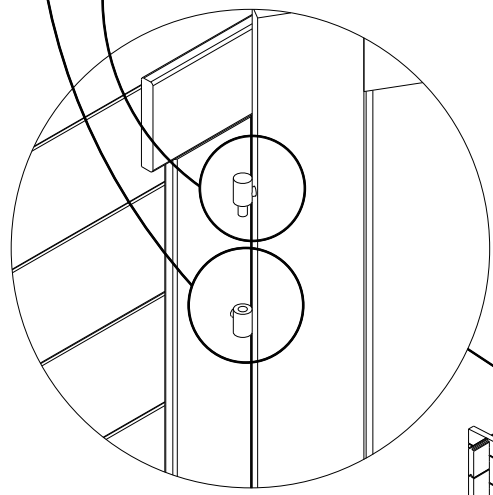
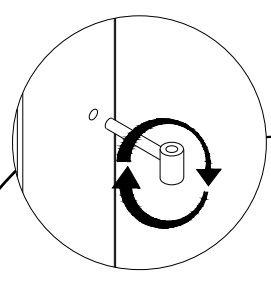
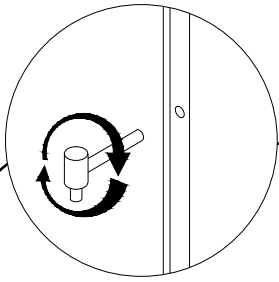


25

24



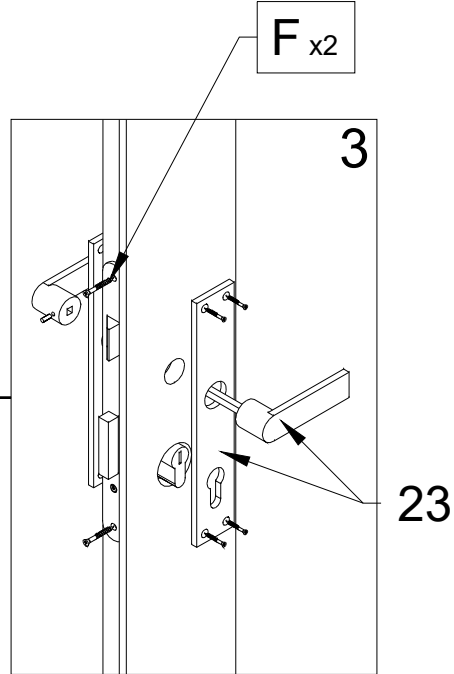
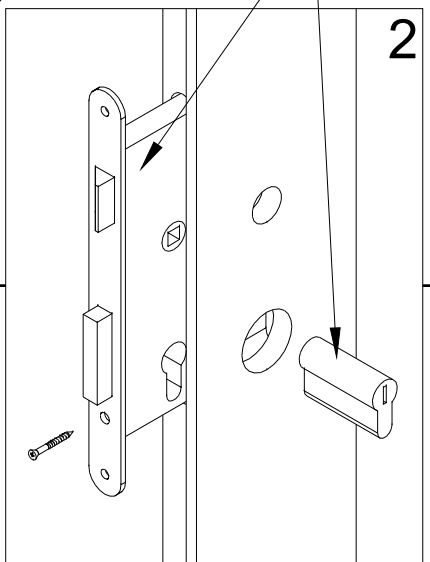
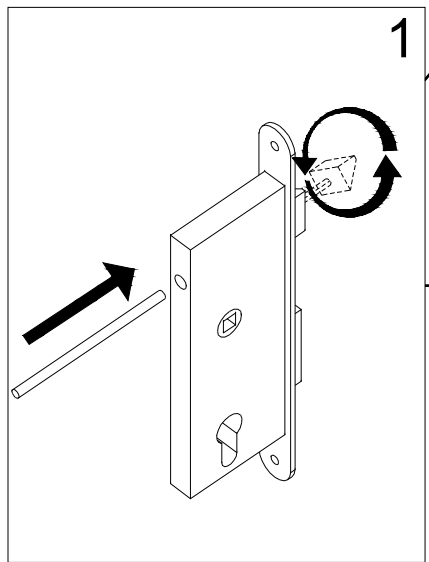
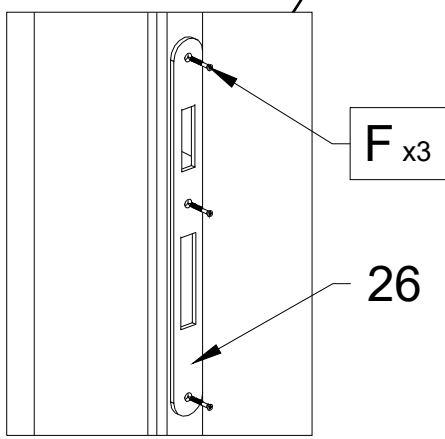
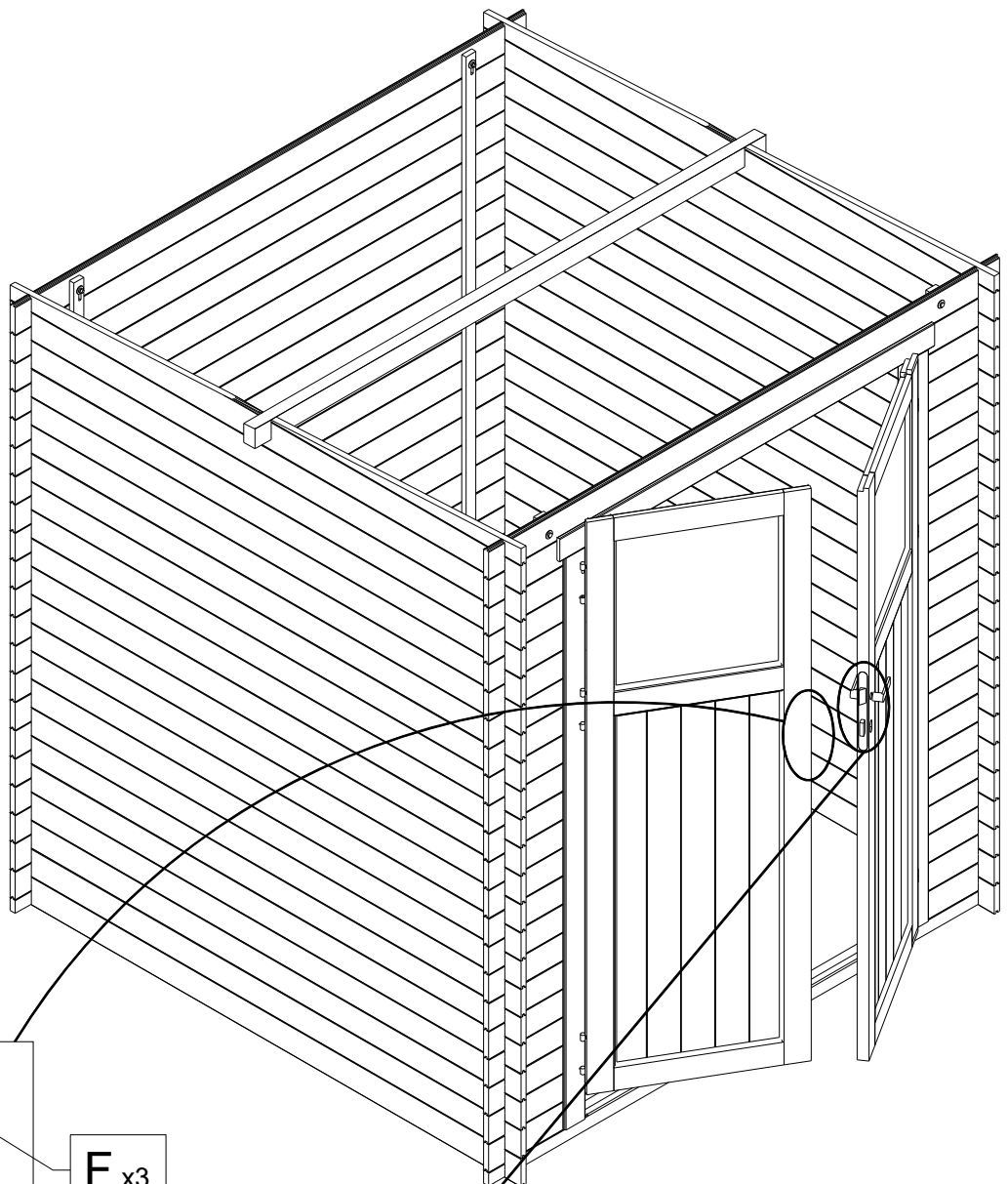
14-16mm



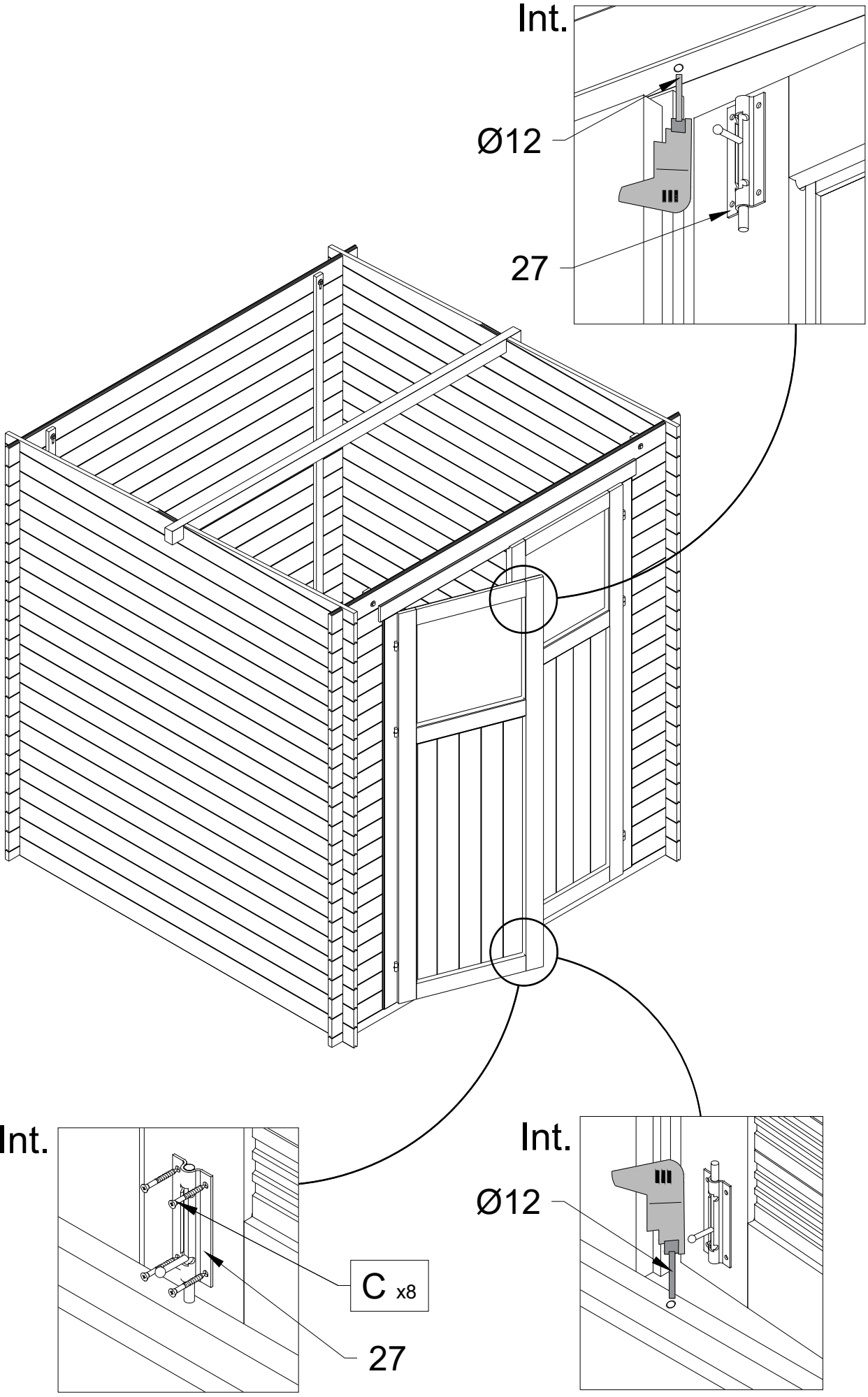
11

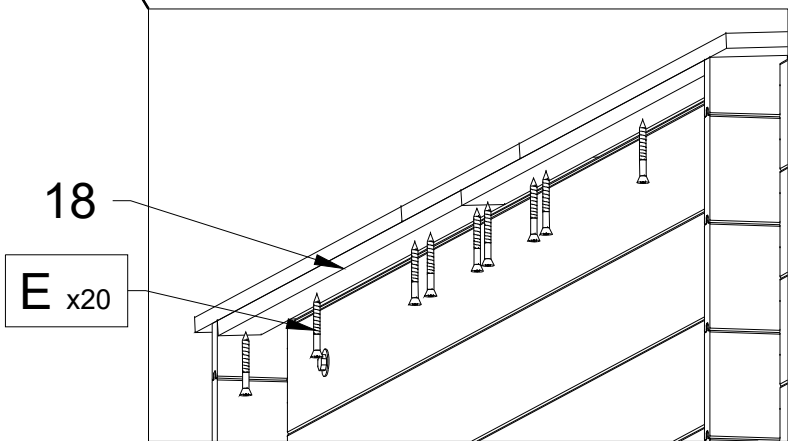
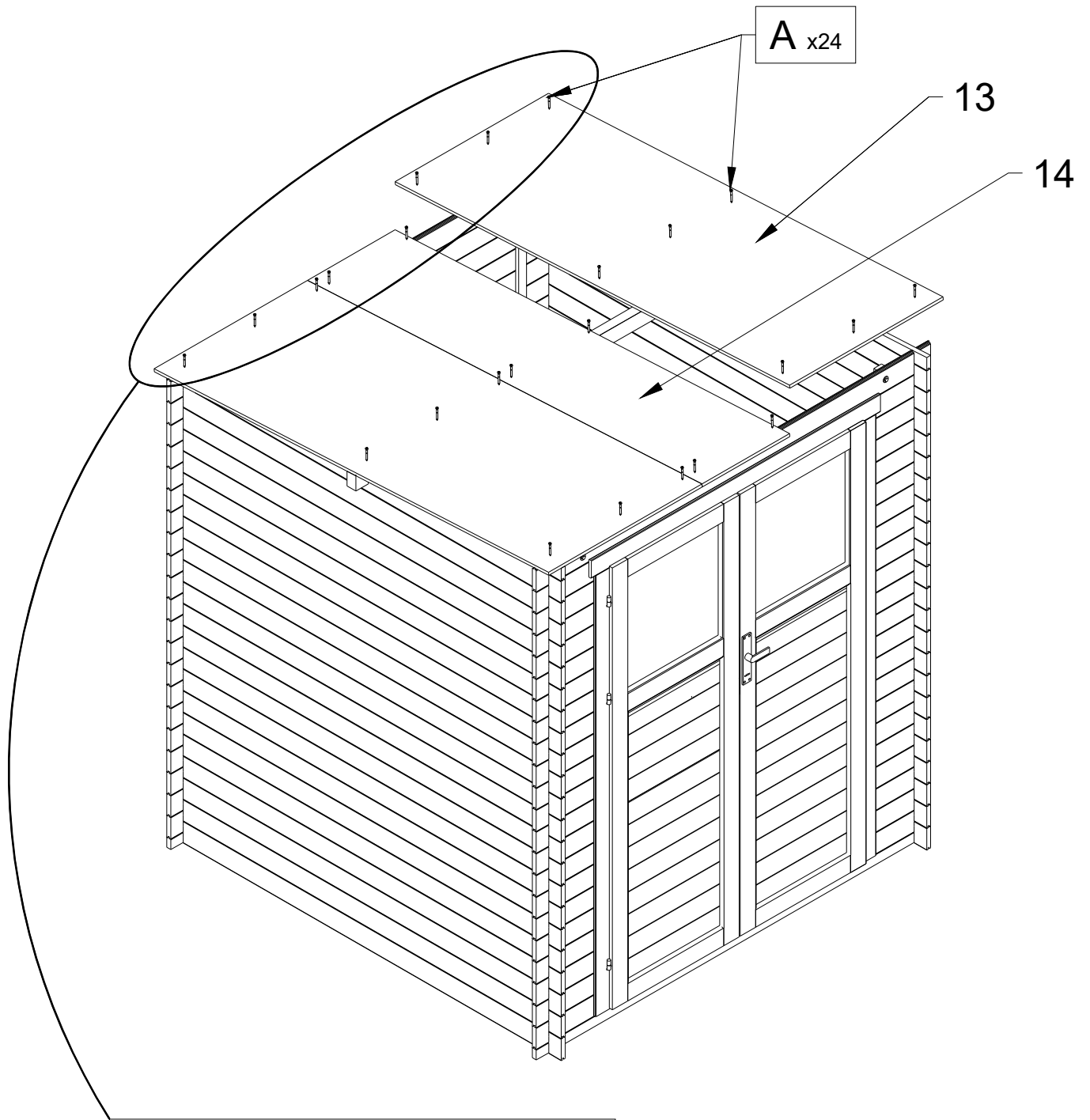
12

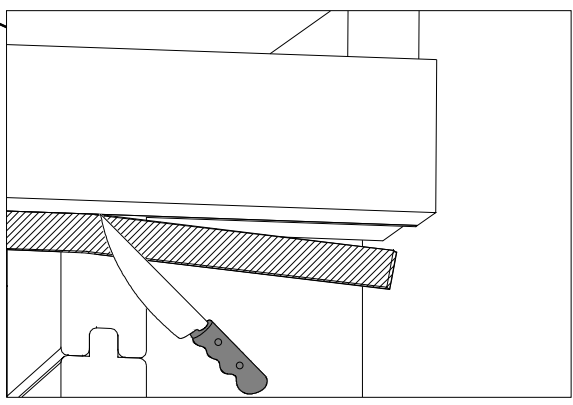
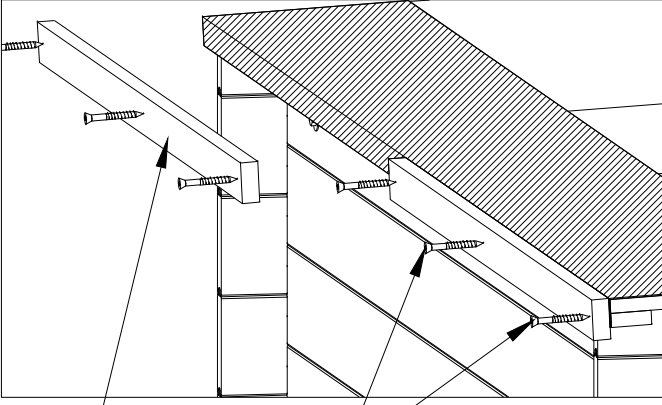
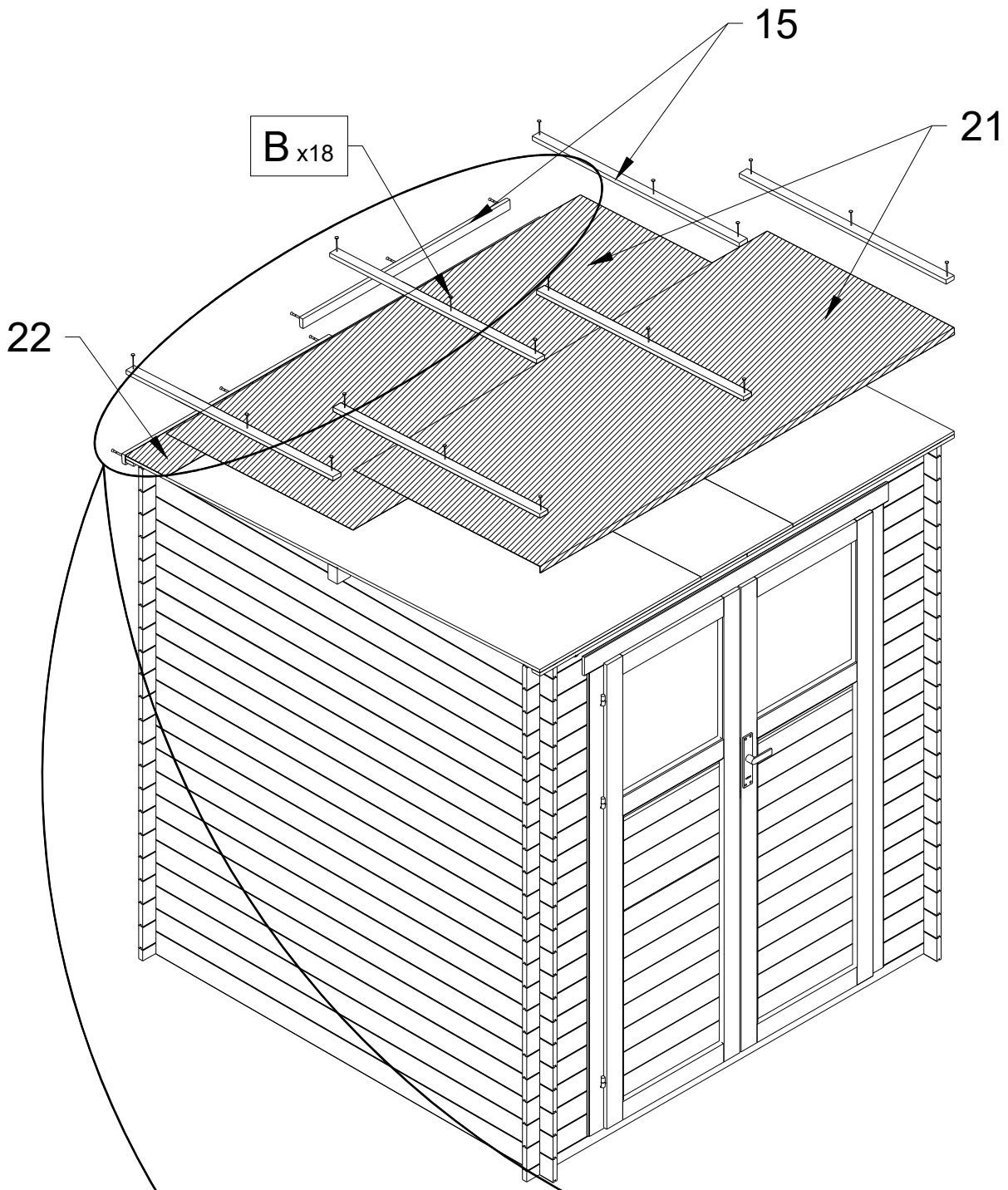
6



7







15 C x6

10

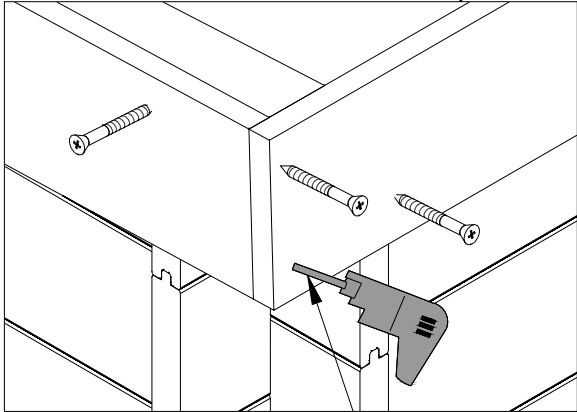
MAX
30 kg/m²



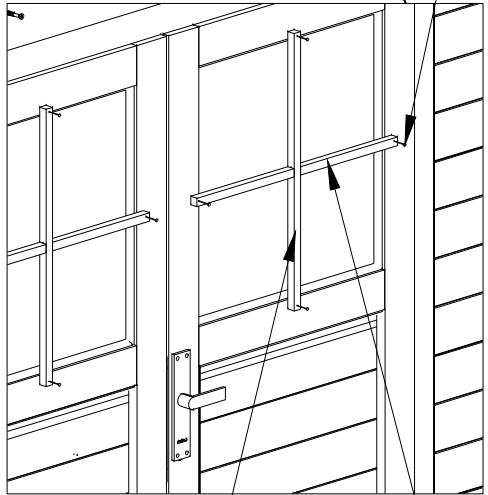
16

C x21

B x8



Ø3



17.1

17