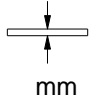
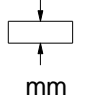
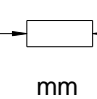



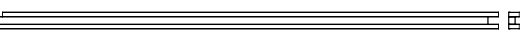
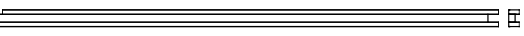
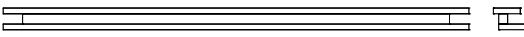
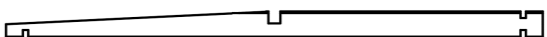


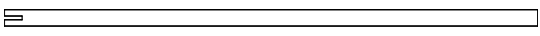
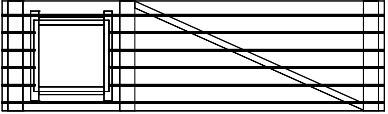
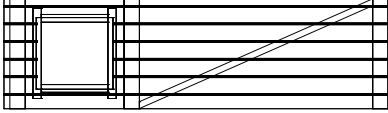


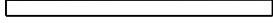

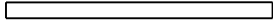
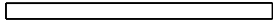
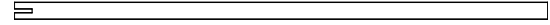



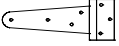
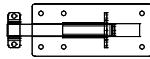
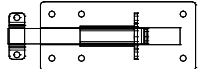


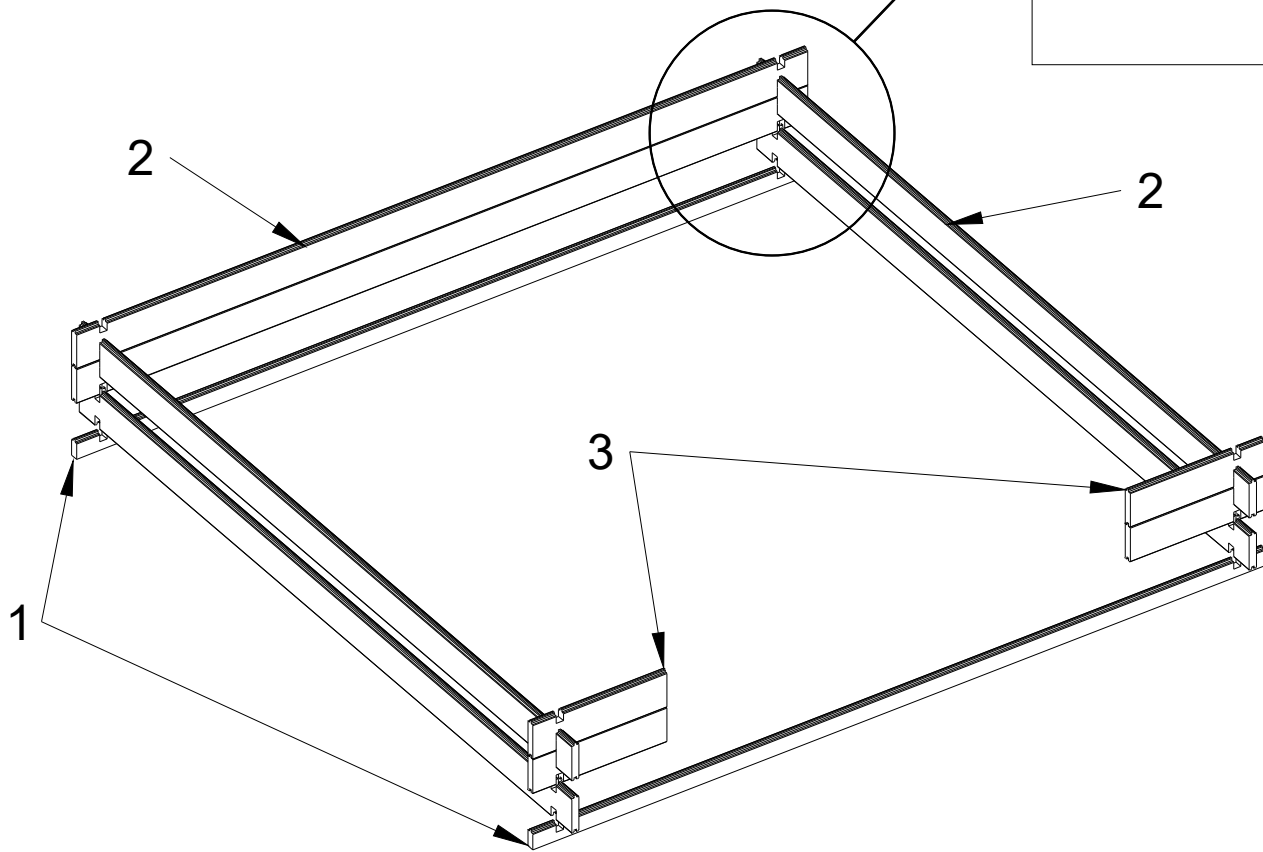
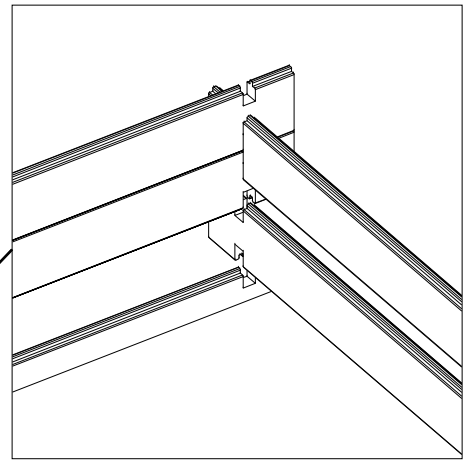
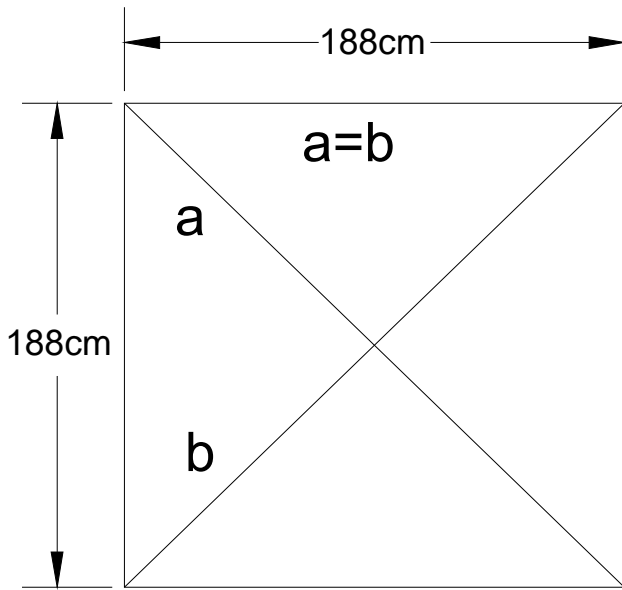
| | | |
|----------|--------|-------|
| A | 4x45 | x 24 |
| B | 1.4x25 | x 30 |
| C | 3x25 | x 117 |
| D | 6x50 | x 4 |
| E | 3x20 | x 28 |

24

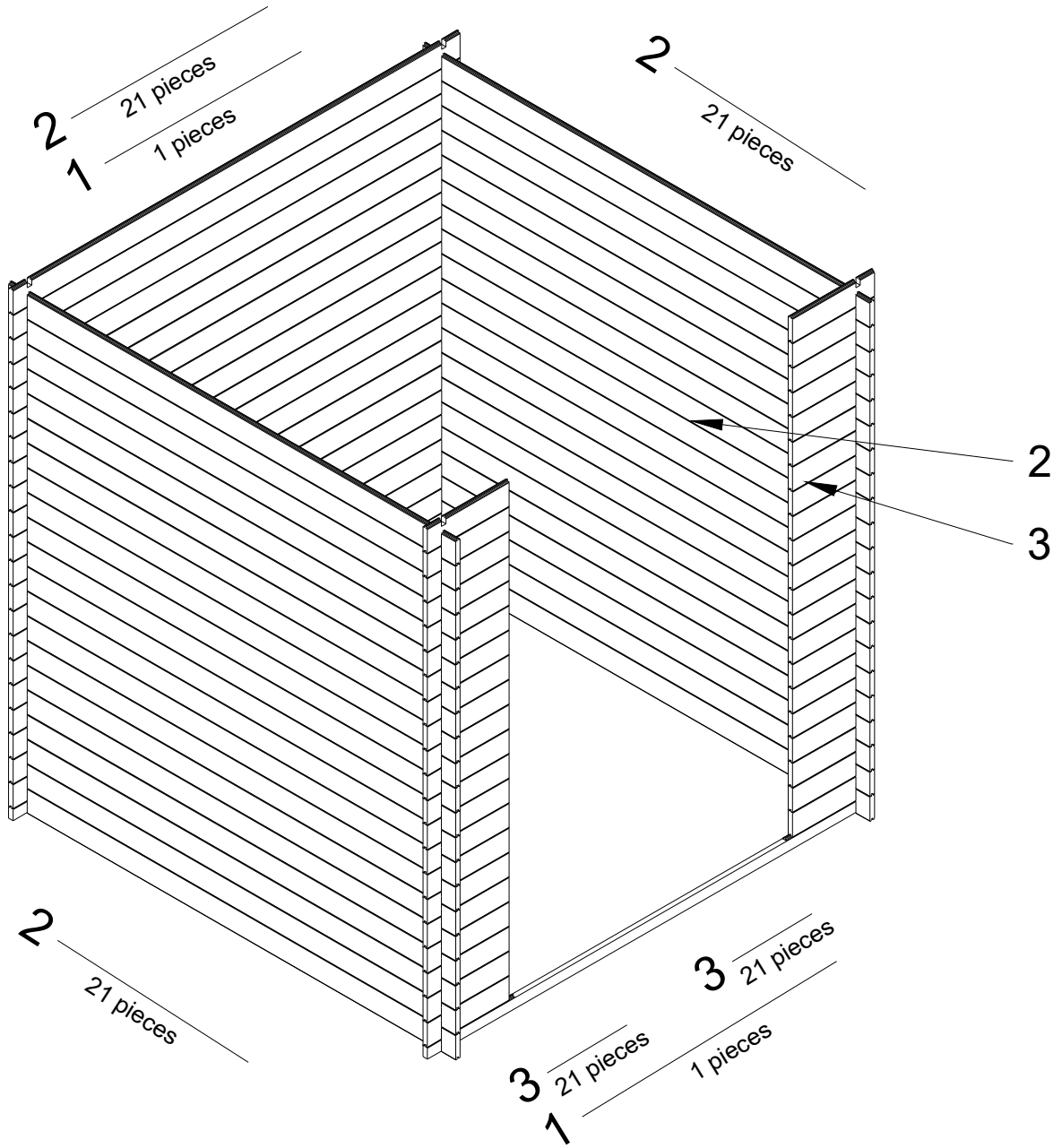
17

| № | | PCS |  mm |  mm |  mm |
|----|---|-----|--|--|--|
| 1 |  | 2 | 19 | 52 | 2000 |
| 2 |  | 64 | 19 | 92 | 2000 |
| 3 |  | 42 | 19 | 92 | 384 |
| 4 |  | 1 | 38 | 38 | 1842 |
| 5 |  | 1 | 38 | 38 | 1842 |
| 6 |  | 1 | 48 | 84 | 1290 |
| 7 |  | 2 | 19 | 92 | 2000 |
| 8 |  | 2 | 19 | 54 | 962 |
| 9 |  | 1 | 40 | 60 | 2000 |
| 10 |  | 2 | 15 | 35 | 1800 |
| 11 |  | 1 | | 585 | 1760 |
| 12 |  | 1 | | 585 | 1760 |
| 13 |  | 2 | OSB | 800 | 2010 |
| 14 |  | 1 | OSB | 400 | 2010 |
| 15 |  | 8 | 15 | 35 | 1000 |
| 16 |  | 3 | 13 | 92 | 2030 |
| 17 |  | 2 | 15 | 35 | 855 |
| 18 |  | 4 | OSB | 35 | 920 |
| 19 |  | 2 | 15 | 35 | 1700 |
| 20 |  | 1 | 15 | 69 | 1180 |
| 21 |  | 2 | | 1000 | 2000 |
| 22 |  | 1 | | 500 | 2000 |
| 23 |  | 6 | | | |
| 24 |  | 3 | | | |
| 25 |  | 1 | | | |

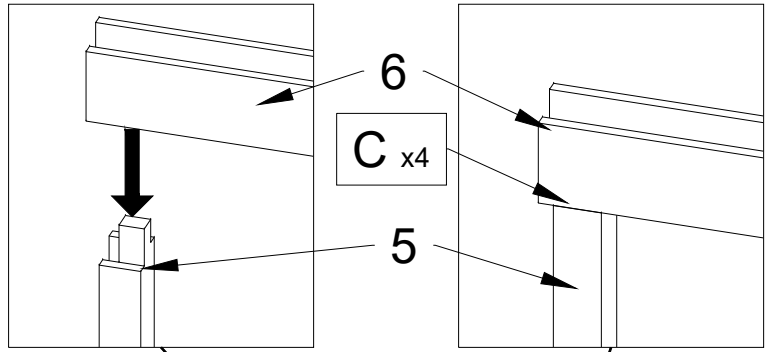
1



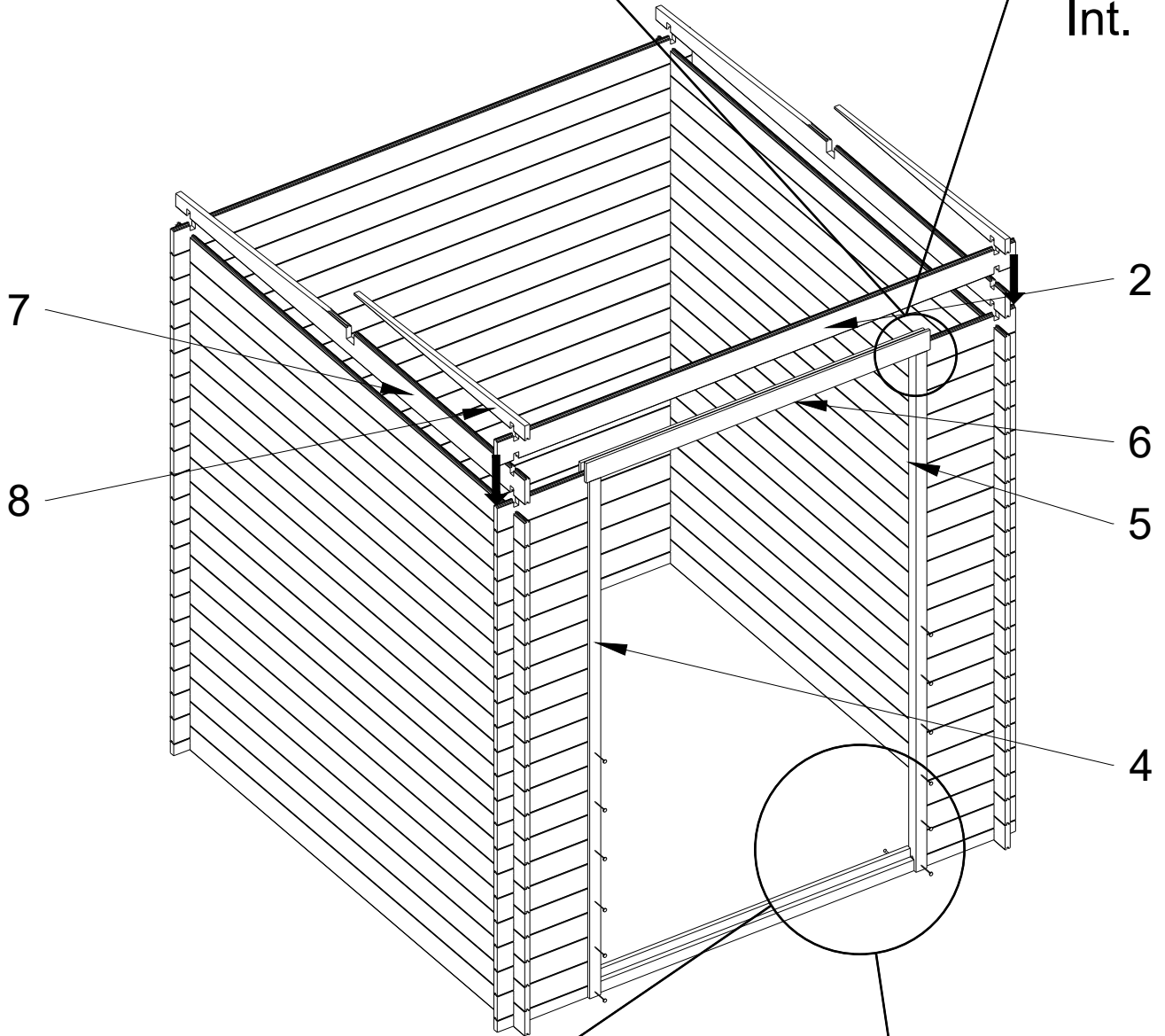
2



3

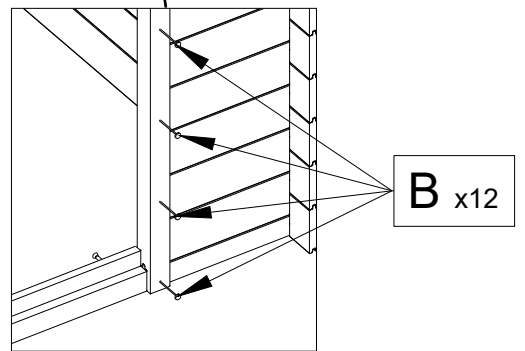
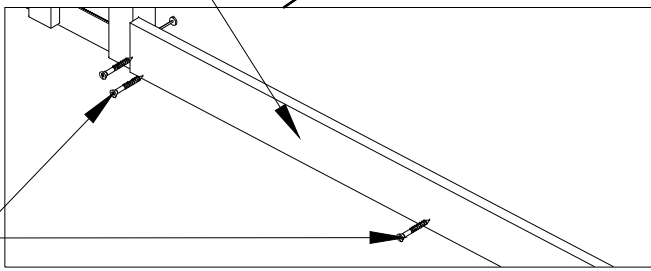


Int.



20

C x5

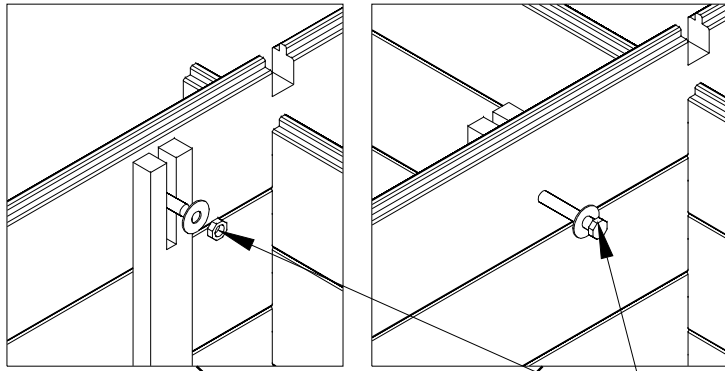
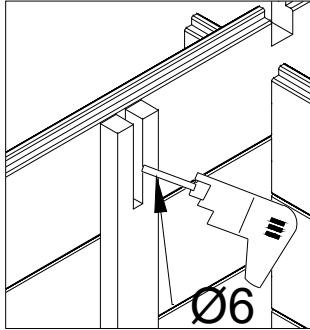


4

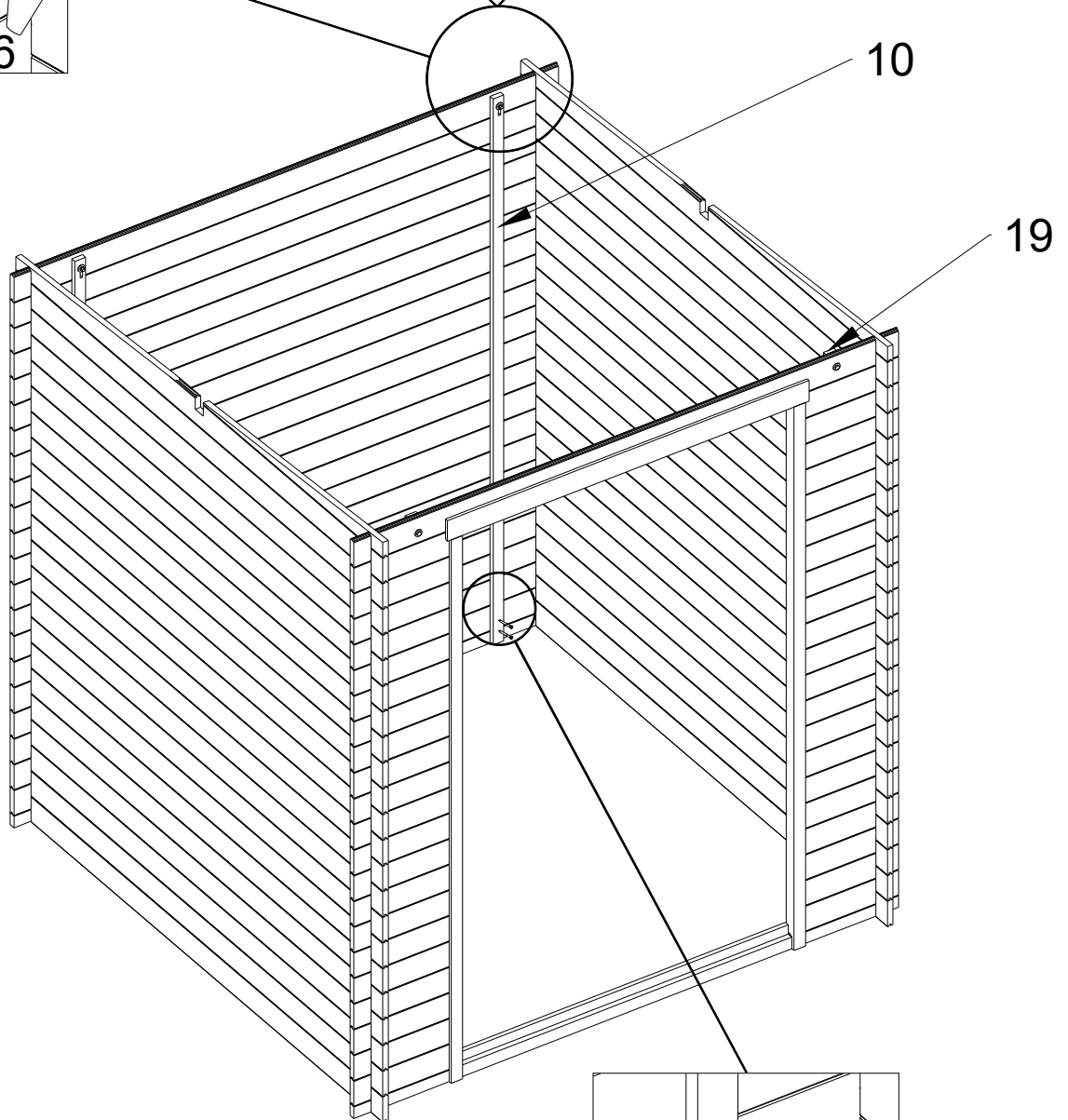
Int.

Ext.

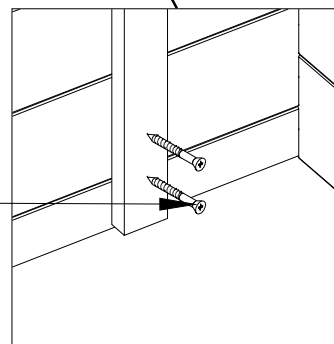
Int.



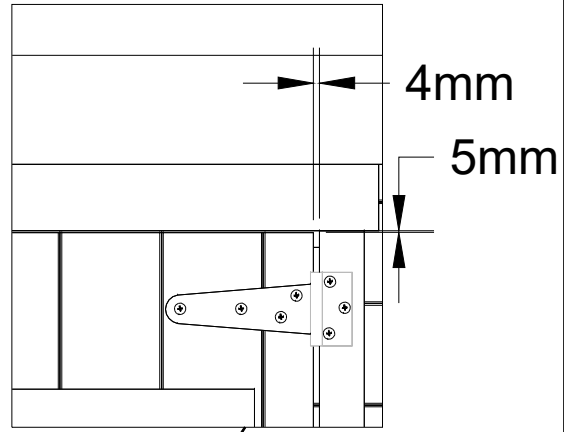
D x4



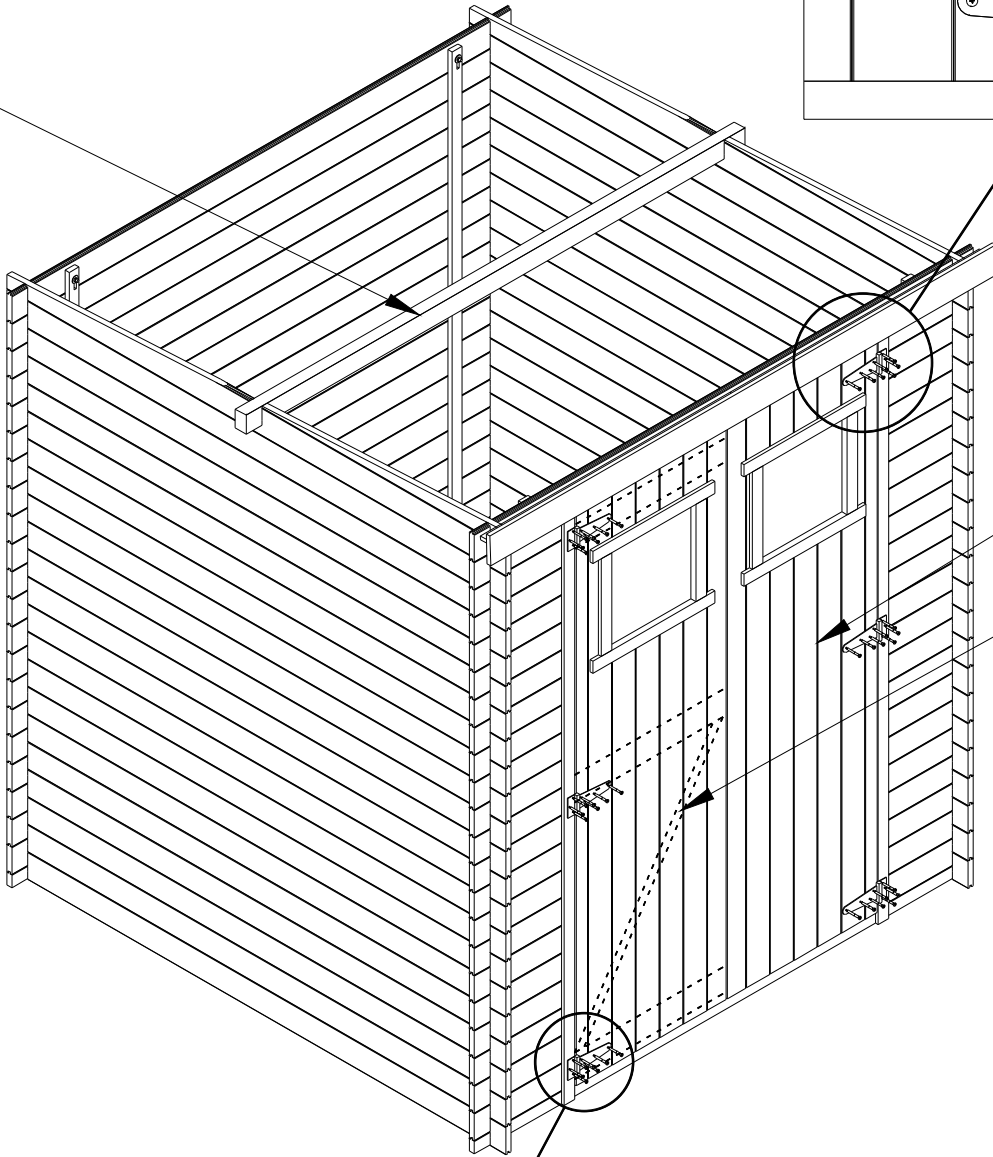
C x8



5



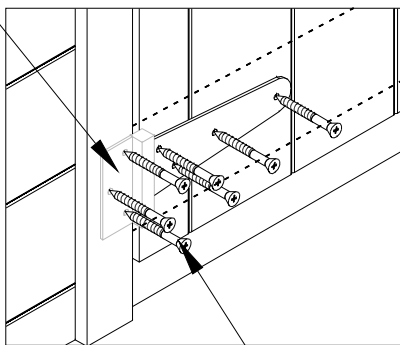
9



12

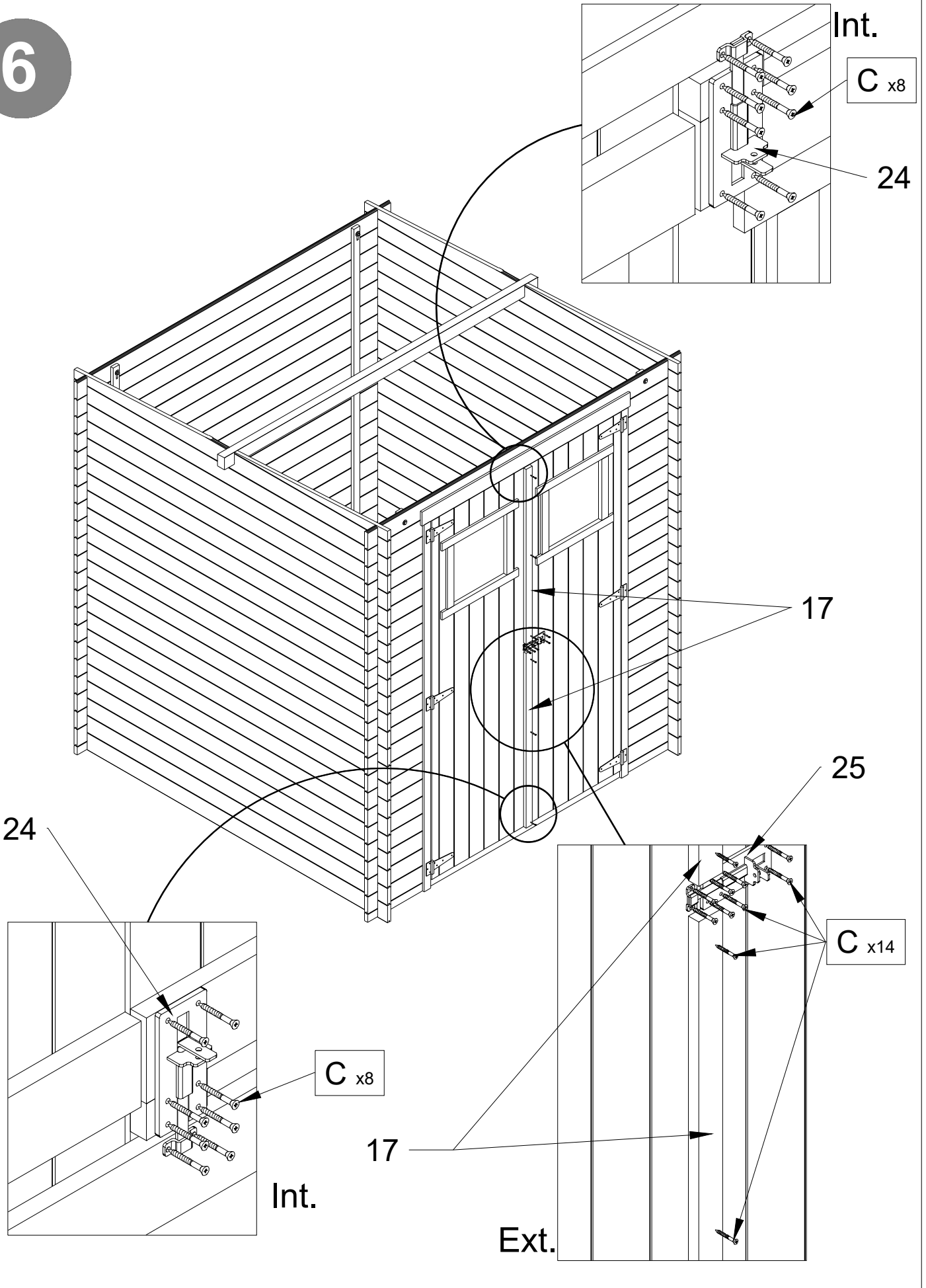
11

23



C x42

6

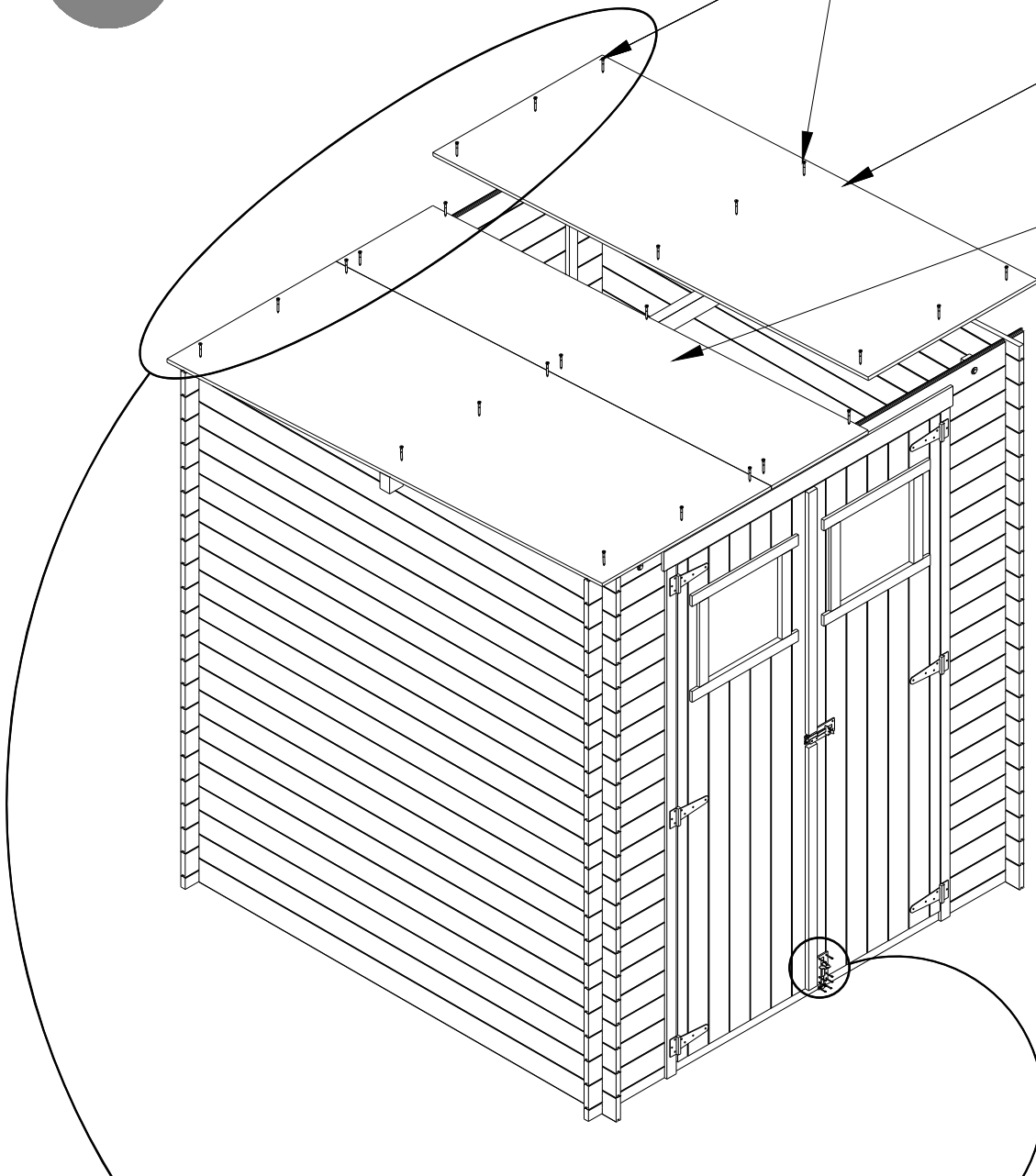


7

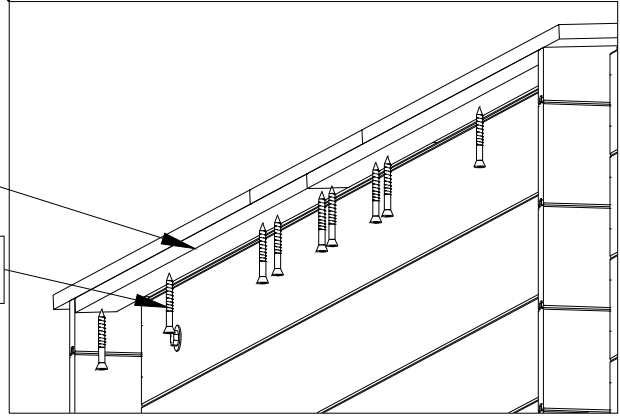
A x24

13

14

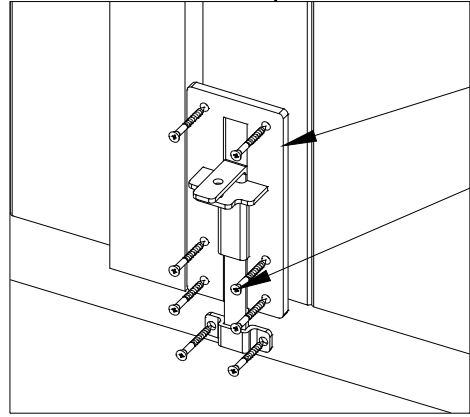


18
E x20

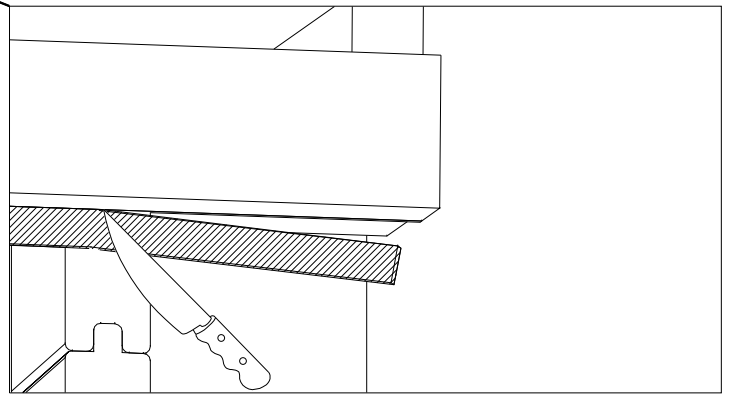
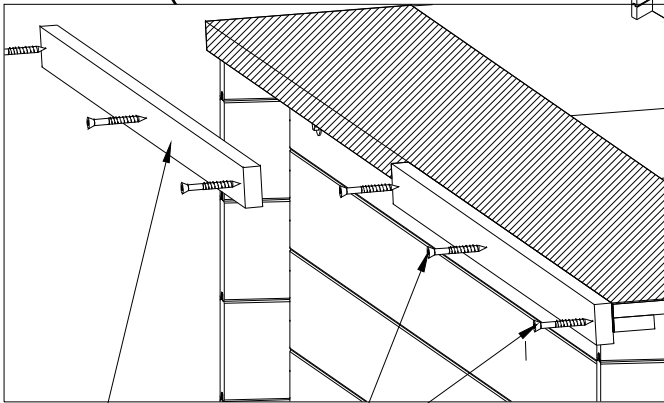
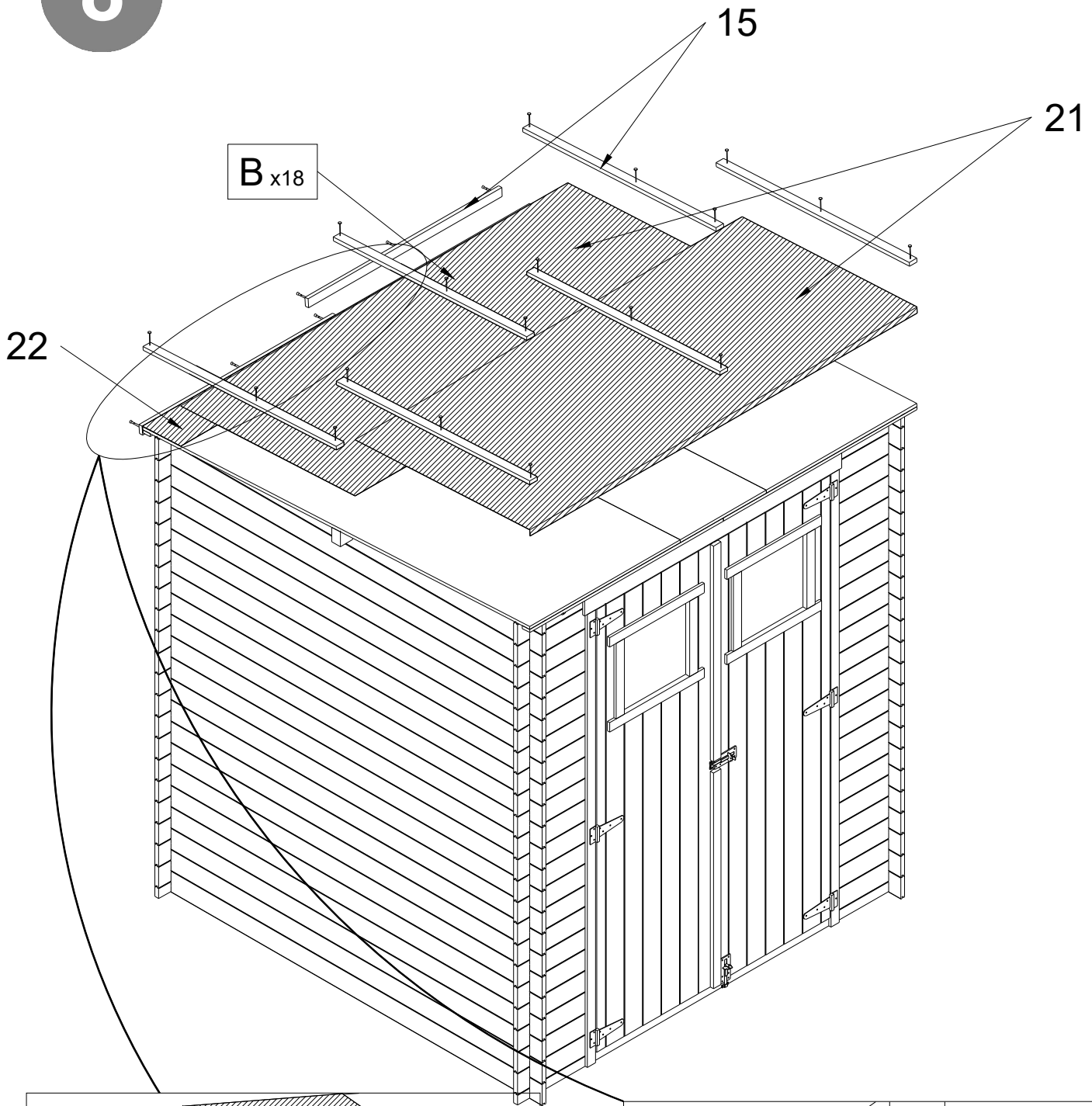


25

E x8



8



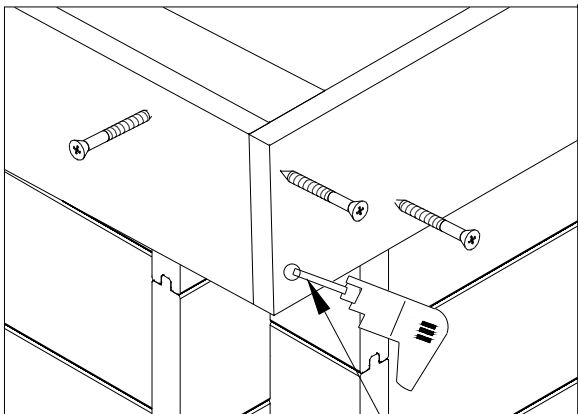
9

MAX
30 kg/m²



16

C x22



Ø3