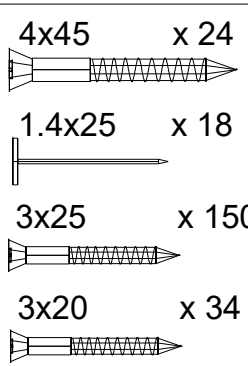
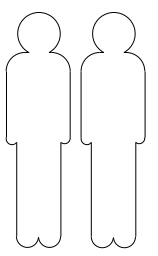
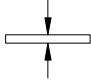
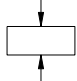












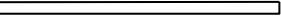
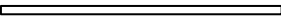
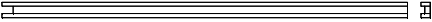
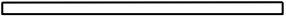




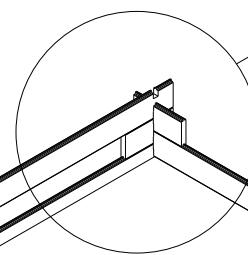
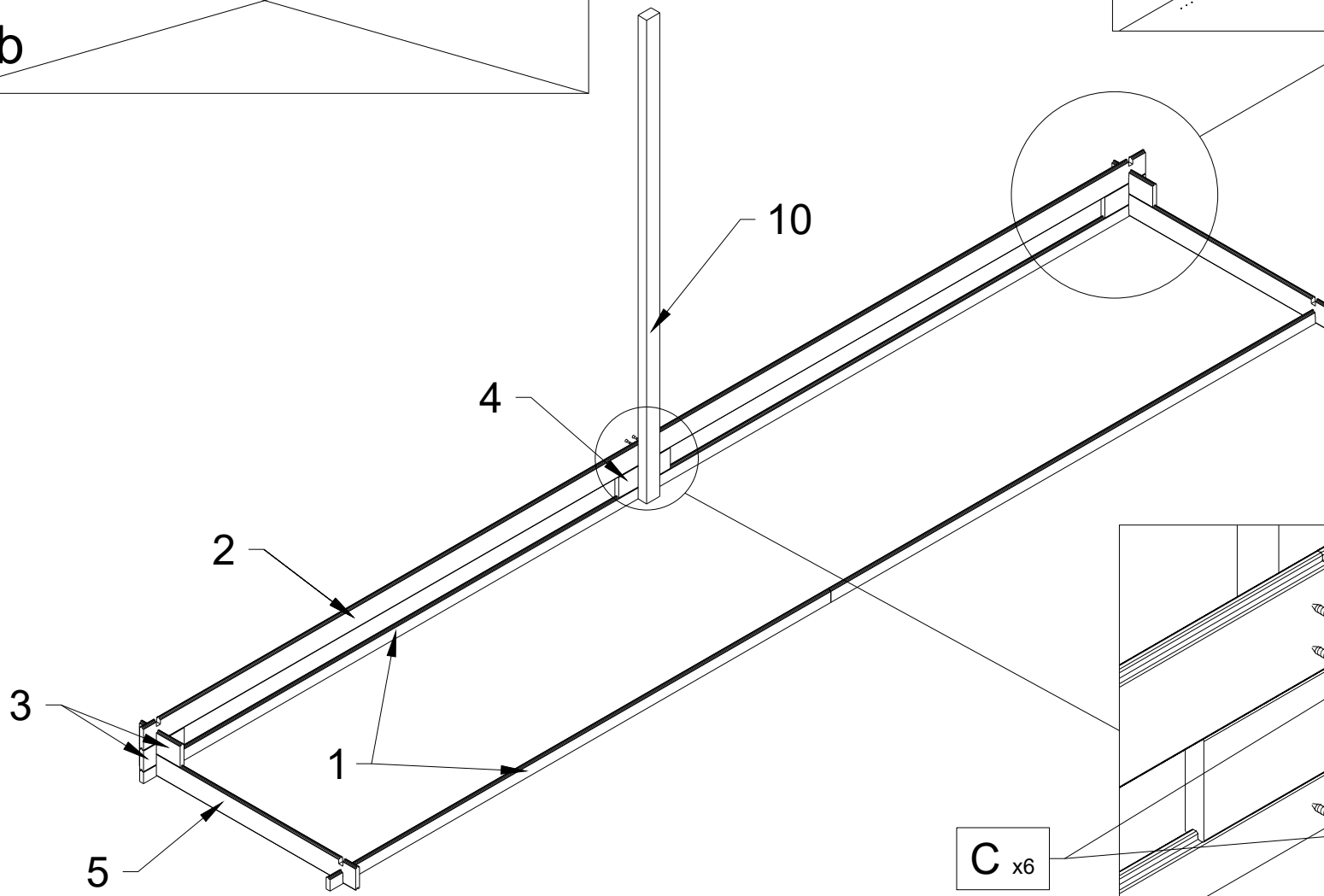
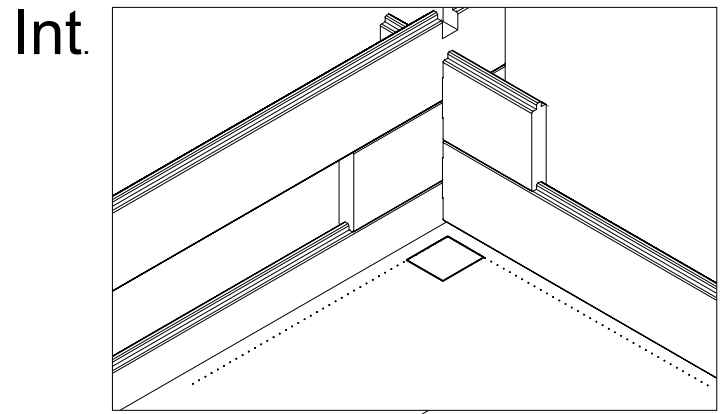
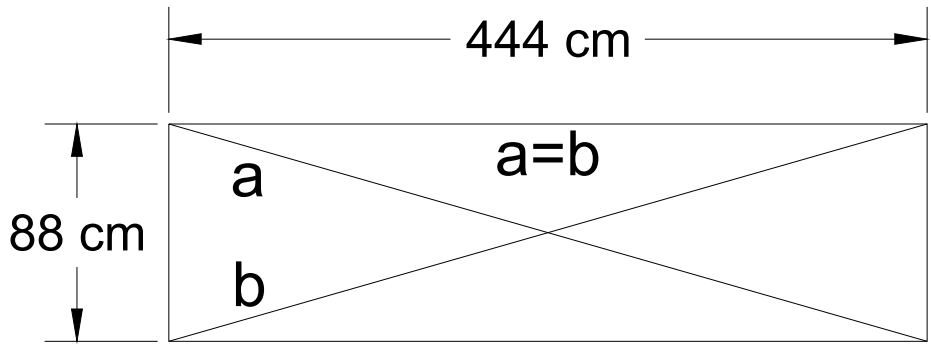


- | | | |
|---|--------|-------|
| A | 4x45 | x 24 |
| B | 1.4x25 | x 18 |
| C | 3x25 | x 150 |
| D | 3x20 | x 34 |

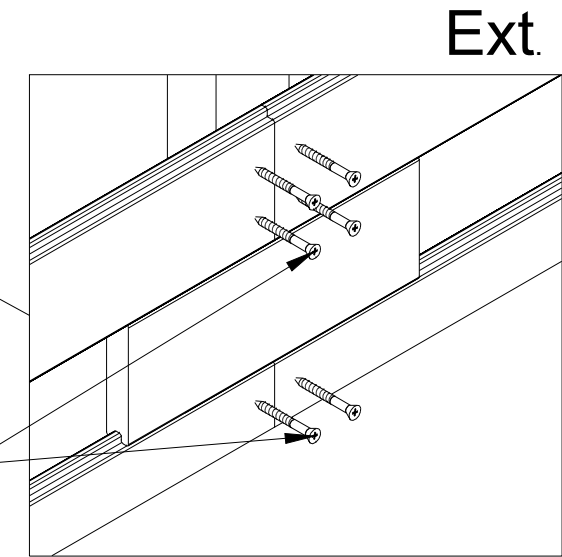


№		PCS	 mm	 mm	 mm
1		4	19	52	2280
2		24	19	92	2280
3		104	19	92	188
4		11	19	92	239
5		22	19	92	1000
6		5	12	1140	800
7		1	12	1140	560
8		2	13	92	1168
9		2	13	92	2280
10		1	40	60	1935
11		1	40	60	1860
12		6	15	35	1130
13		8	12	35	1140
14		2	38	38	1754
15		4	15	35	1140
16		1	18	50	844
17		10	18	50	854
18		1		1000	4560
19		1		500	4560

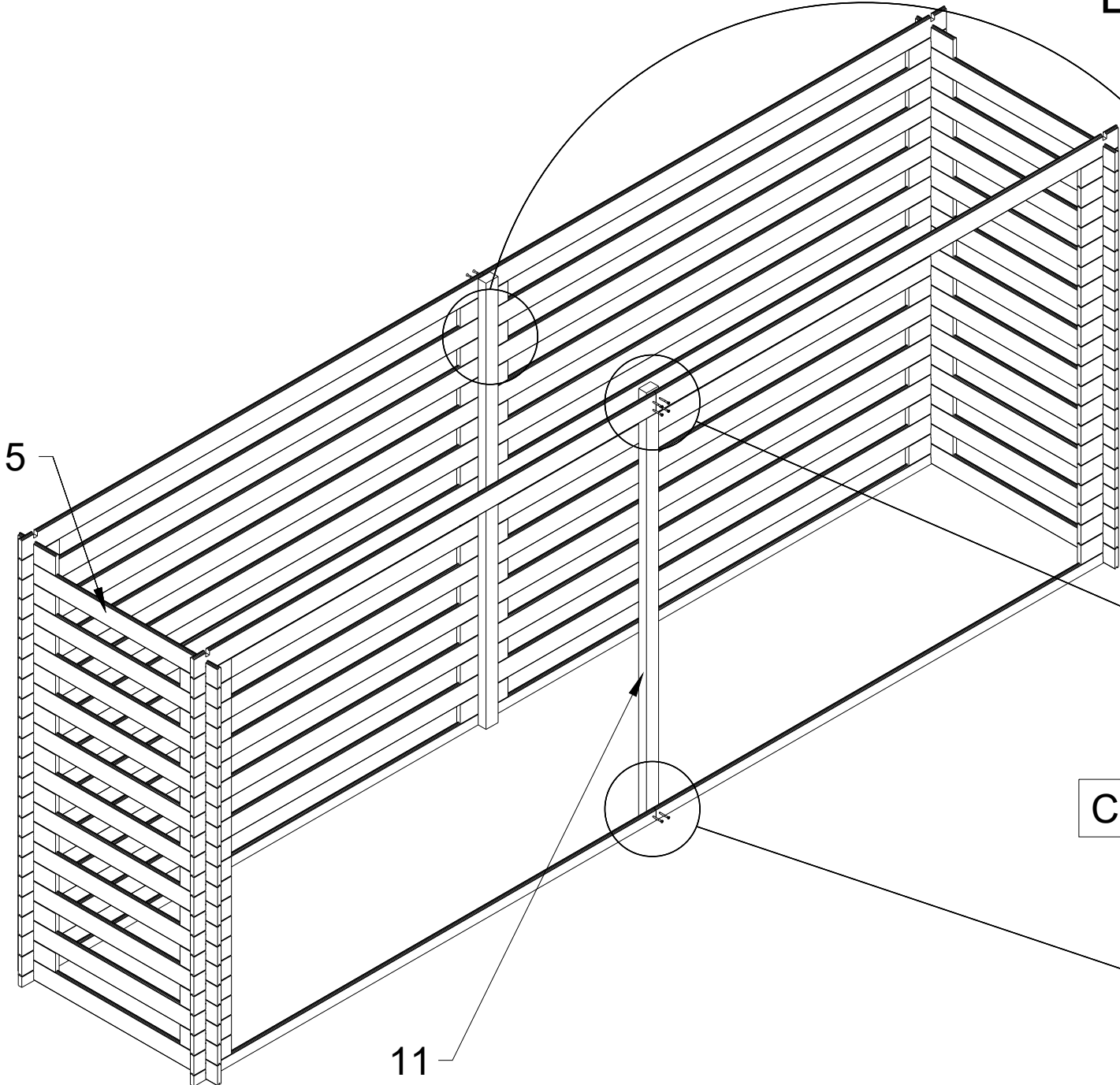
1



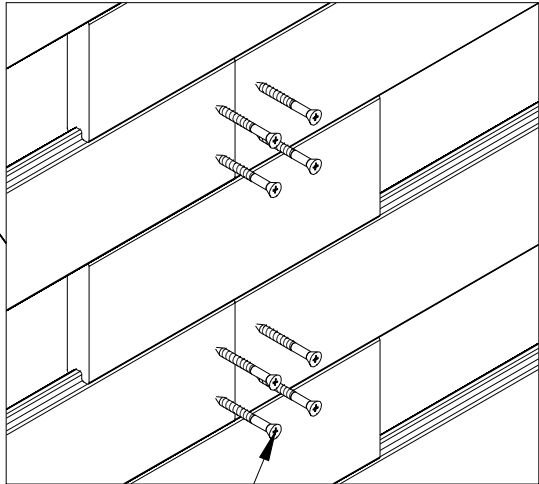
C x6



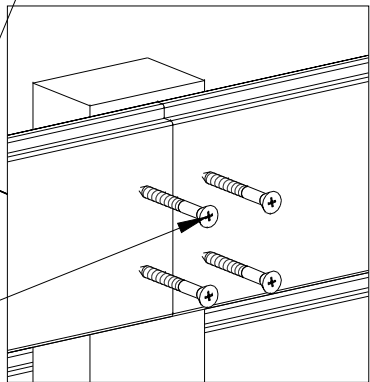
2



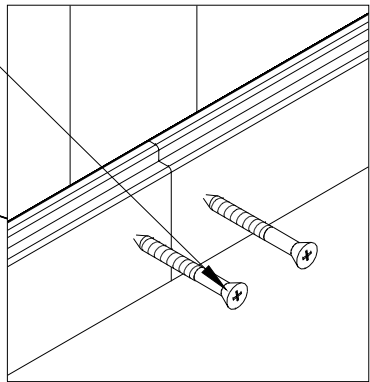
Ext.



Ext.



C x46



Ext.

3

Int.

C x4

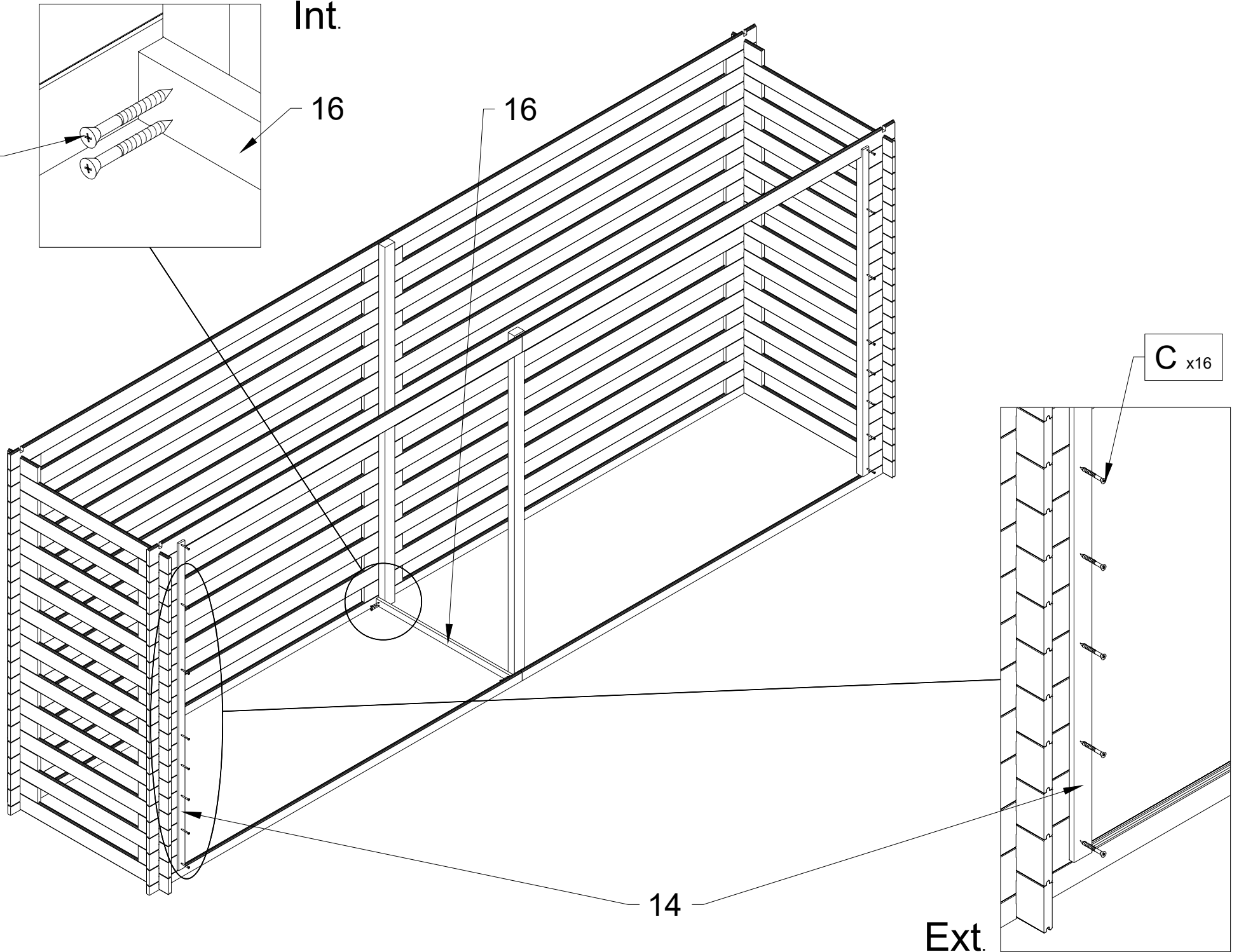
16

16

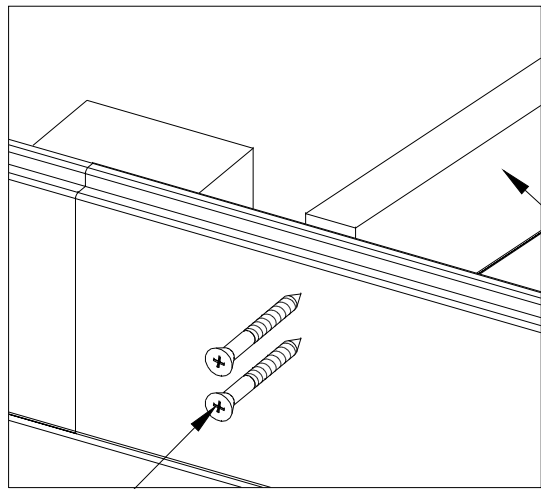
C x16

14

Ext.

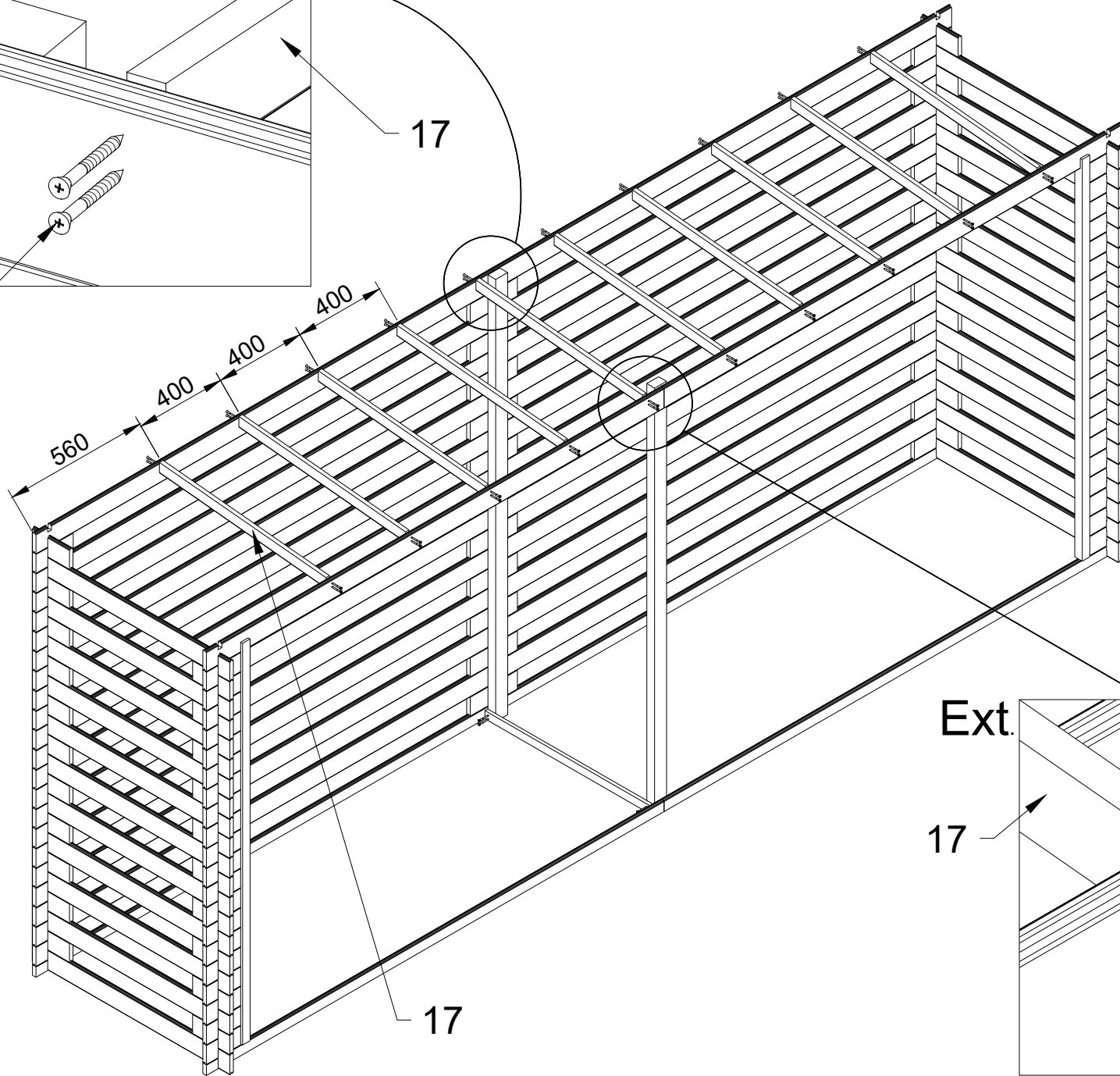


4

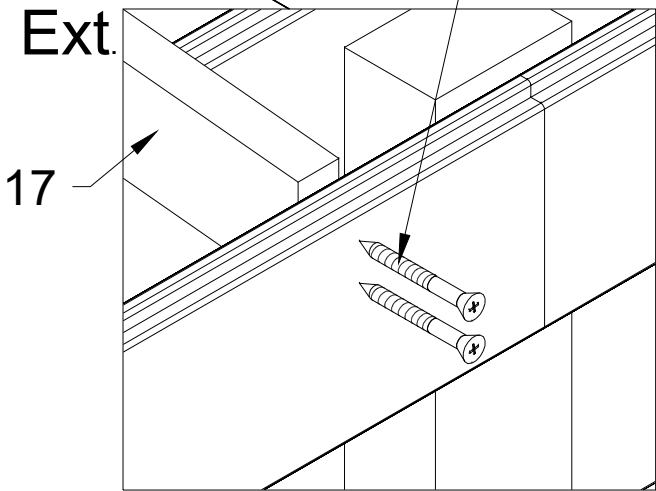


17

C x20



C x20

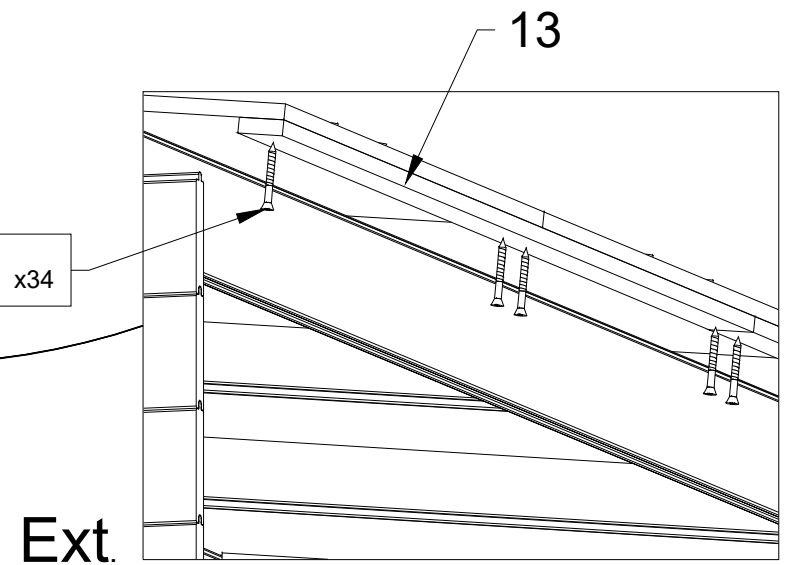
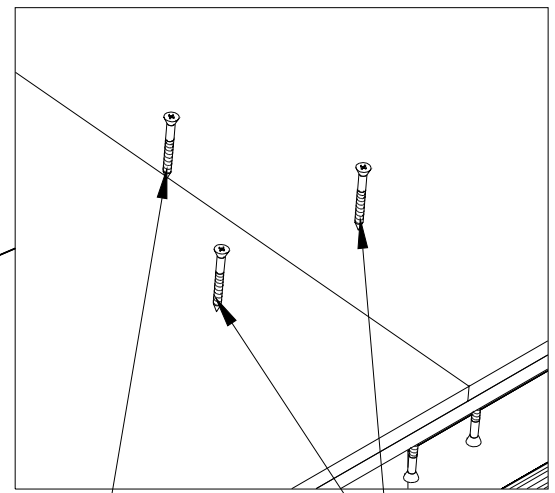
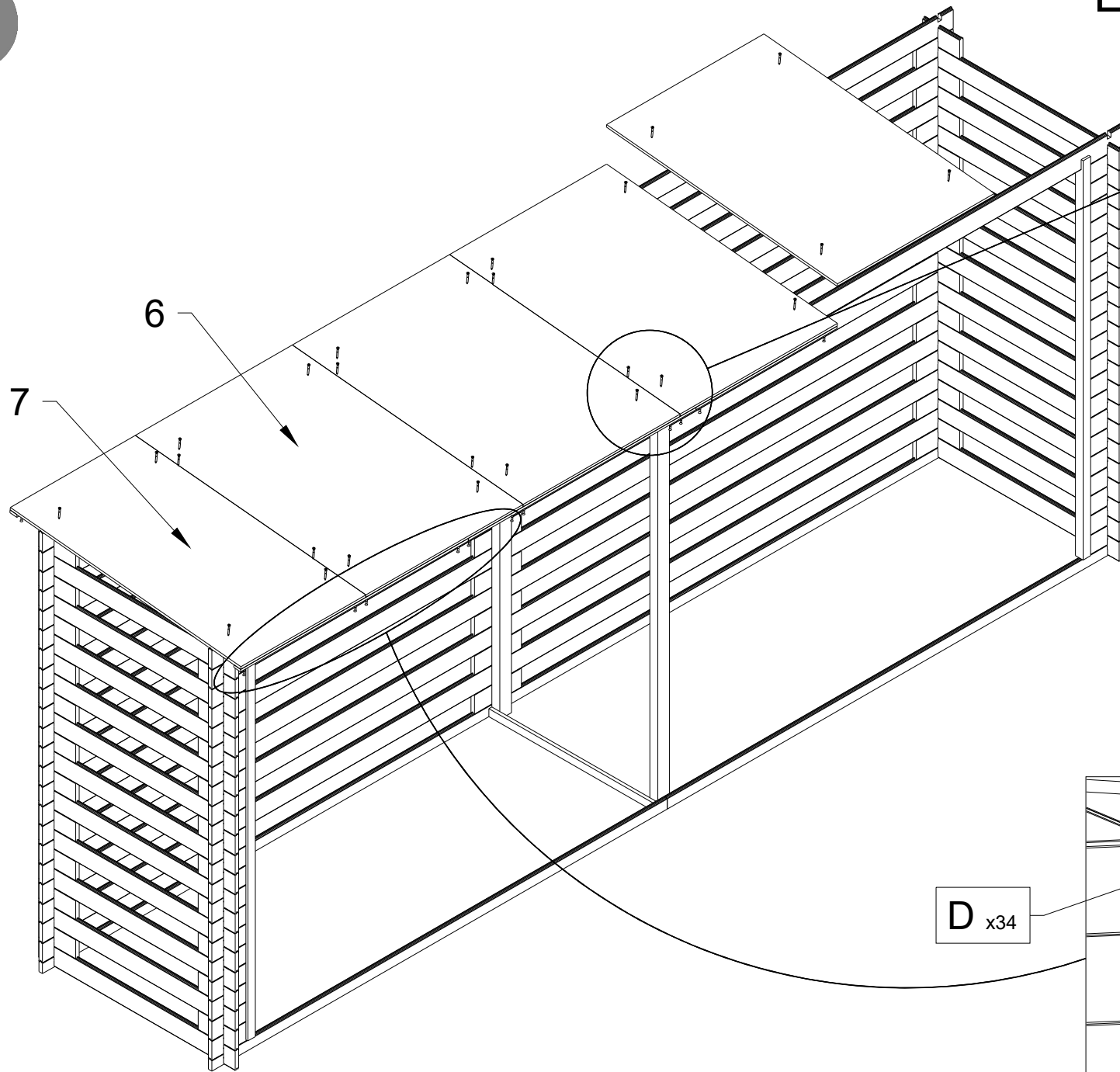


17

Ext.

5

Ext.



6

