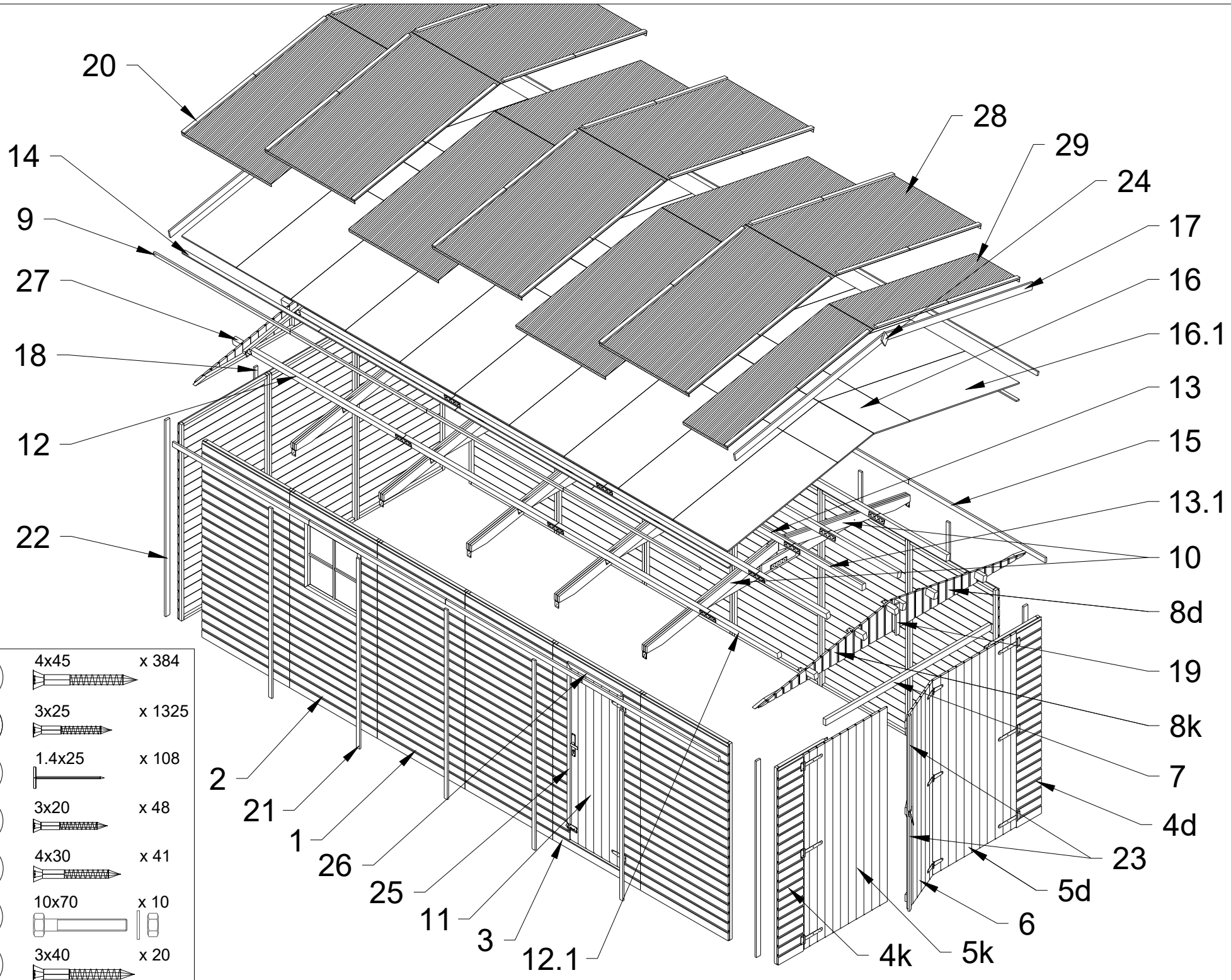
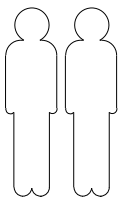
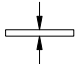
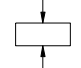
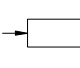
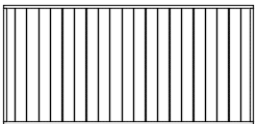
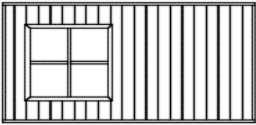





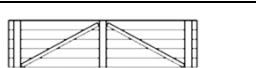
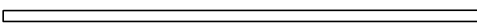
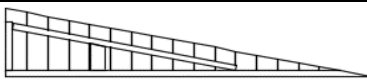

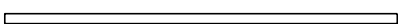

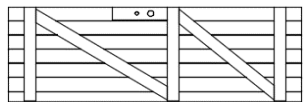
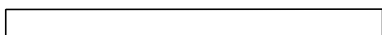
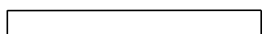
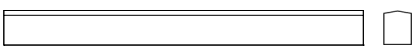






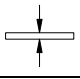
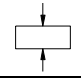
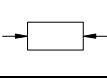

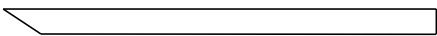
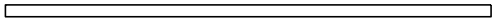
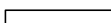
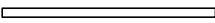
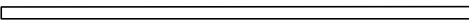
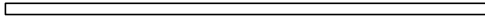
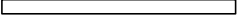



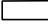


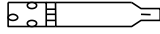

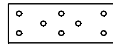

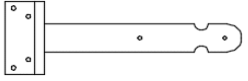
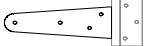
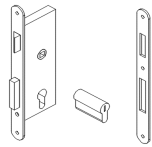
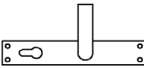
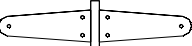
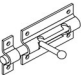
# M102



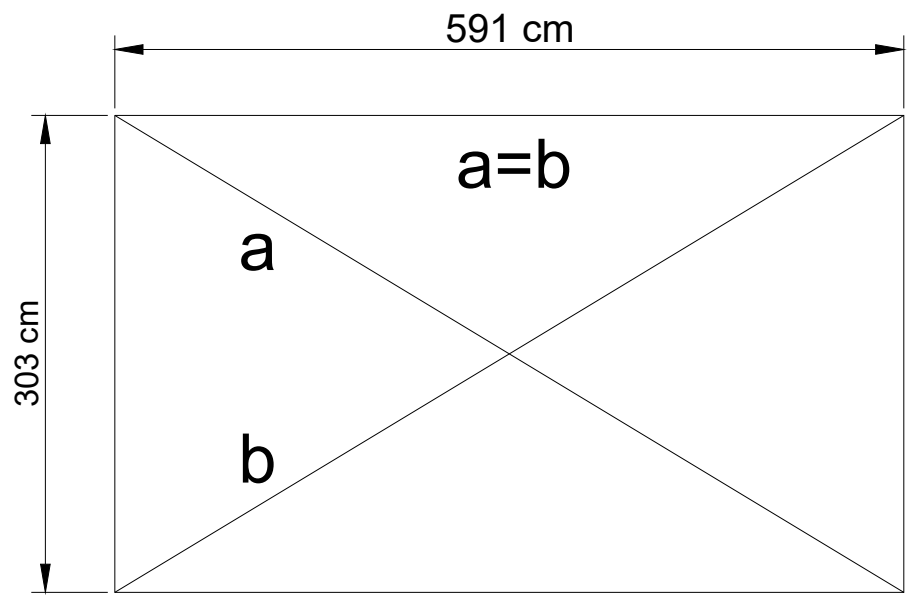
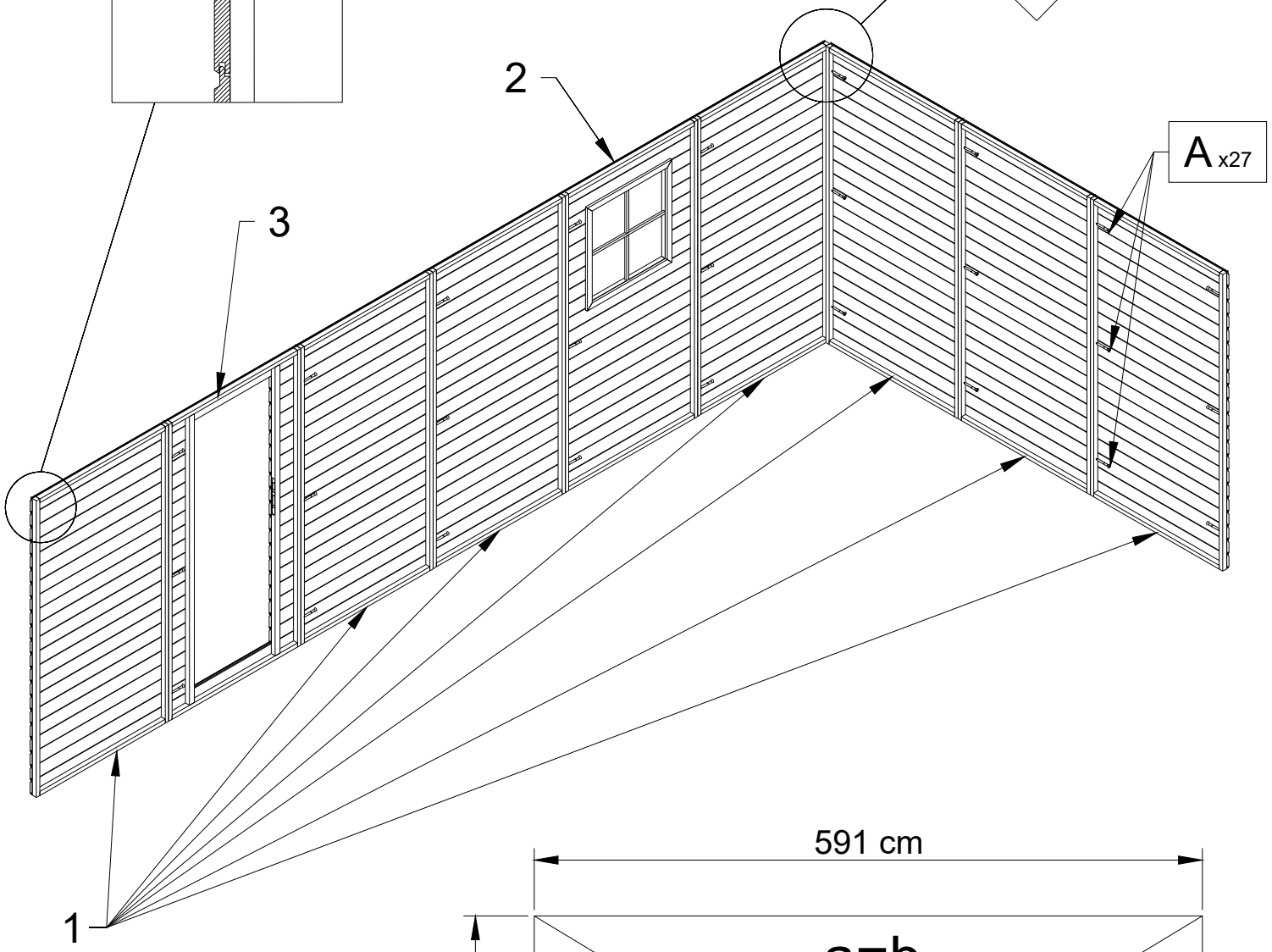
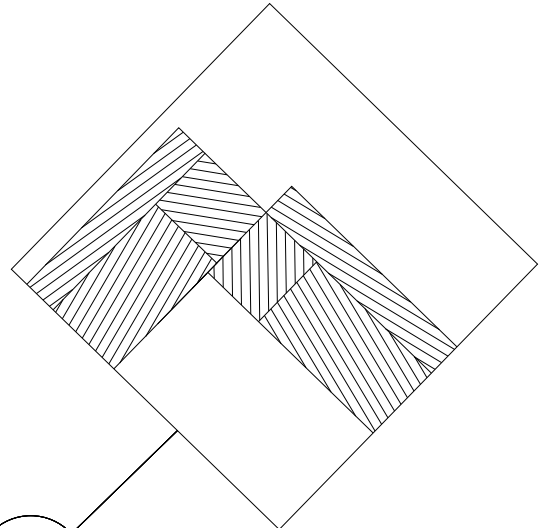
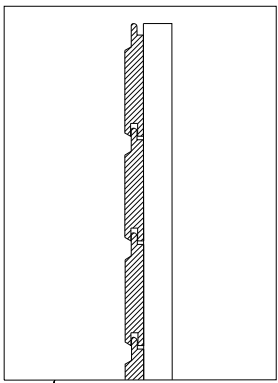
- |          |        |        |
|----------|--------|--------|
| <b>A</b> | 4x45   | x 384  |
| <b>B</b> | 3x25   | x 1325 |
| <b>C</b> | 1.4x25 | x 108  |
| <b>D</b> | 3x20   | x 48   |
| <b>E</b> | 4x30   | x 41   |
| <b>F</b> | 10x70  | x 10   |
| <b>G</b> | 3x40   | x 20   |



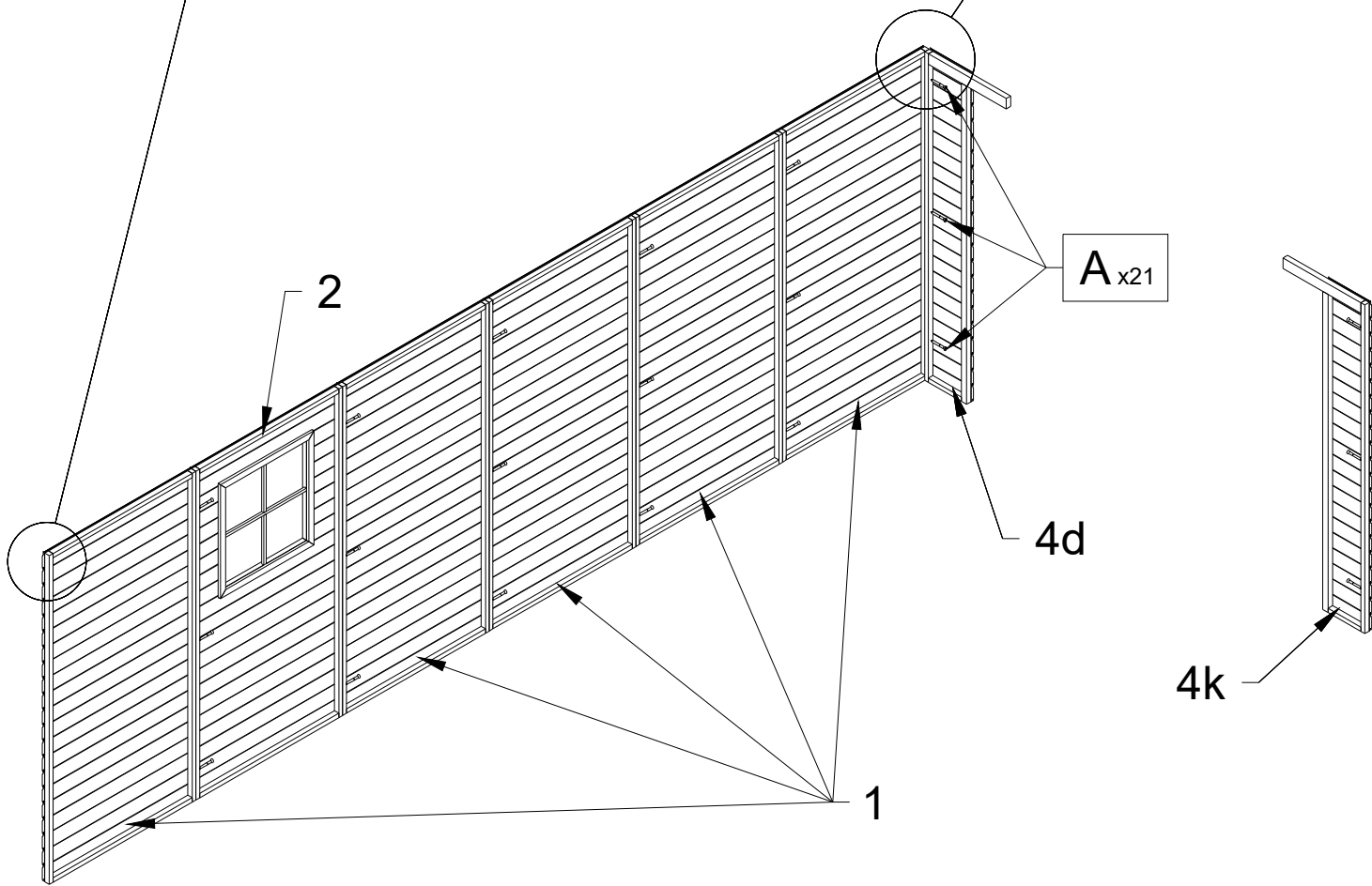
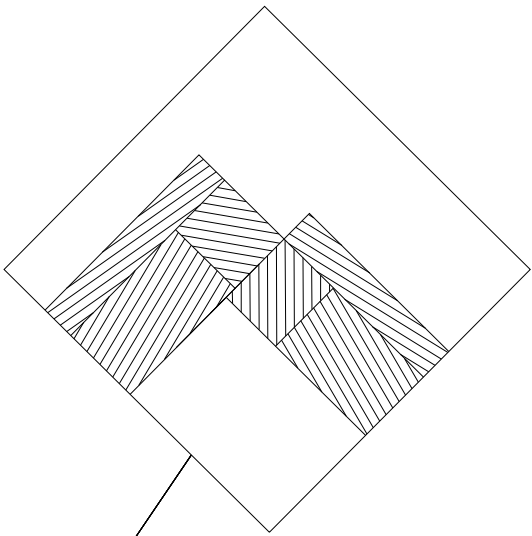
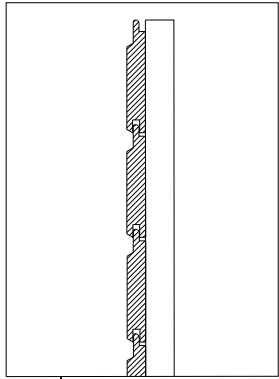
№		PCS			
			mm	mm	mm
1		12		980	1900
2		2		980	1900
3		1		980	1900
4k		1		280	1900
4d		1		280	1900
5k		1		930	1880
5d		1		930	1880
6		1		500	1880
7		1	30	60	1850
8k		2		302	1517
8d		2		302	1517
9		8	15	35	1525
10		10		354	1660
11		1		590	1695
12		12	40	60	1700
12.1		4	40	60	780
13		3	40	60	1700
13.1		1	40	60	780
14		8	OSB	35	1525
15		8	17	47	1525
16		20	OSB	410	610

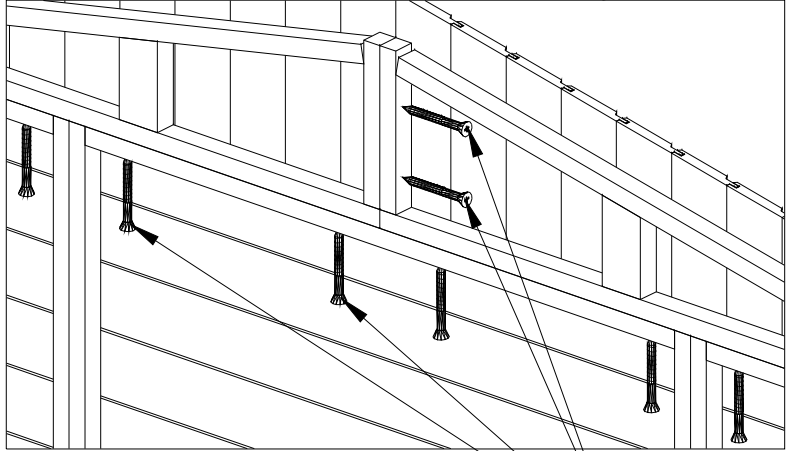
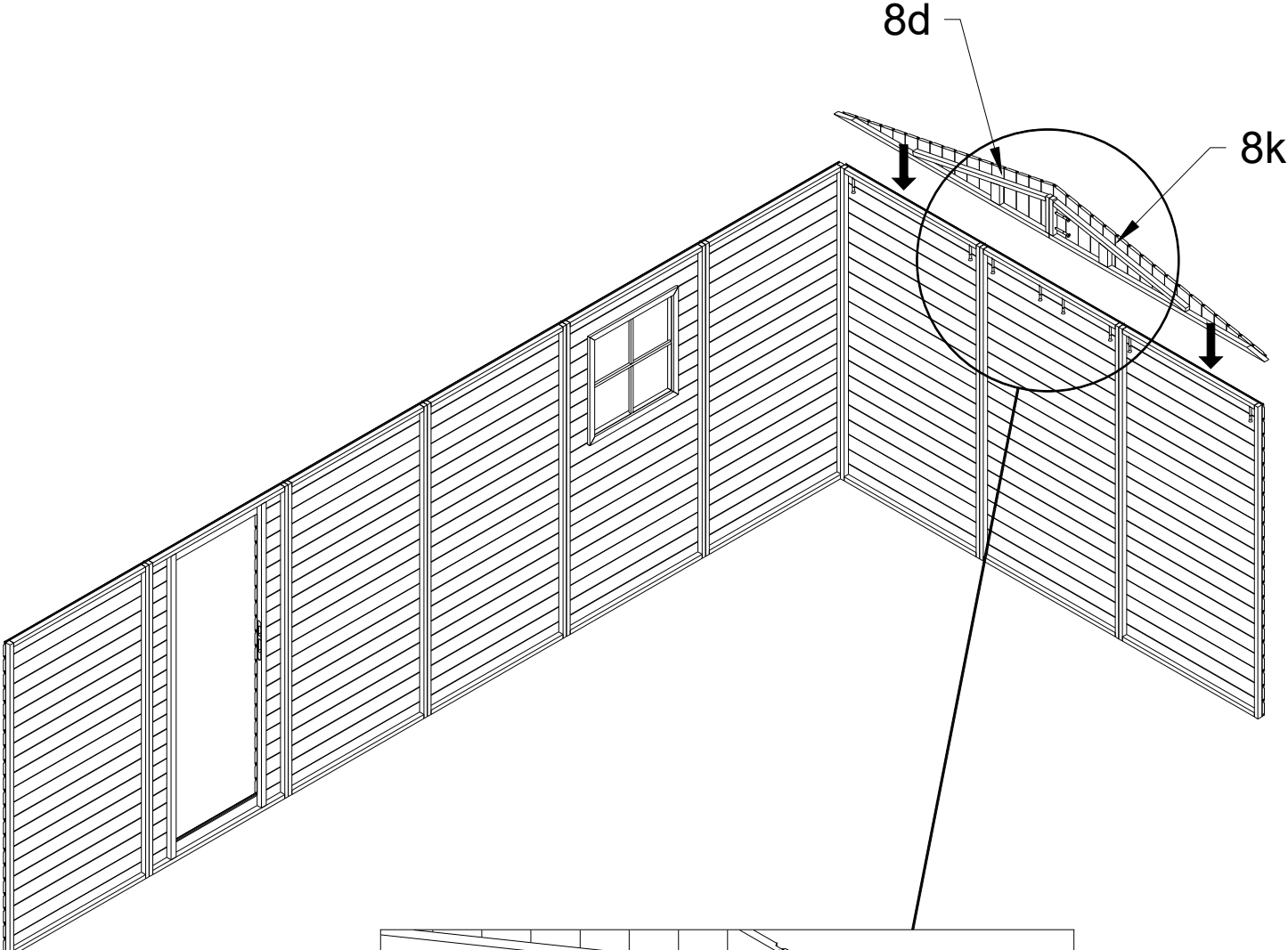
№	Image	PCS			
			mm	mm	mm
16.1		20	OSB	610	1250
17		4	15	69	1700
18		2	15	35	1900
19		2	15	35	298
20		32	15	35	813
21		10	15	35	1835
22		4	17	47	1900
23		2	15	35	920
24		2	15	75	145
25		1	15	35	1705
26		1	15	35	605
27		12	40	60	92
28		6		1 m	3,47m
29		1		0,5m	3,47m
30		1			
31		40			
32		10			
33		45			
34		6			
35		2			
36		1			
37		1			
38		3			
39		3			

1

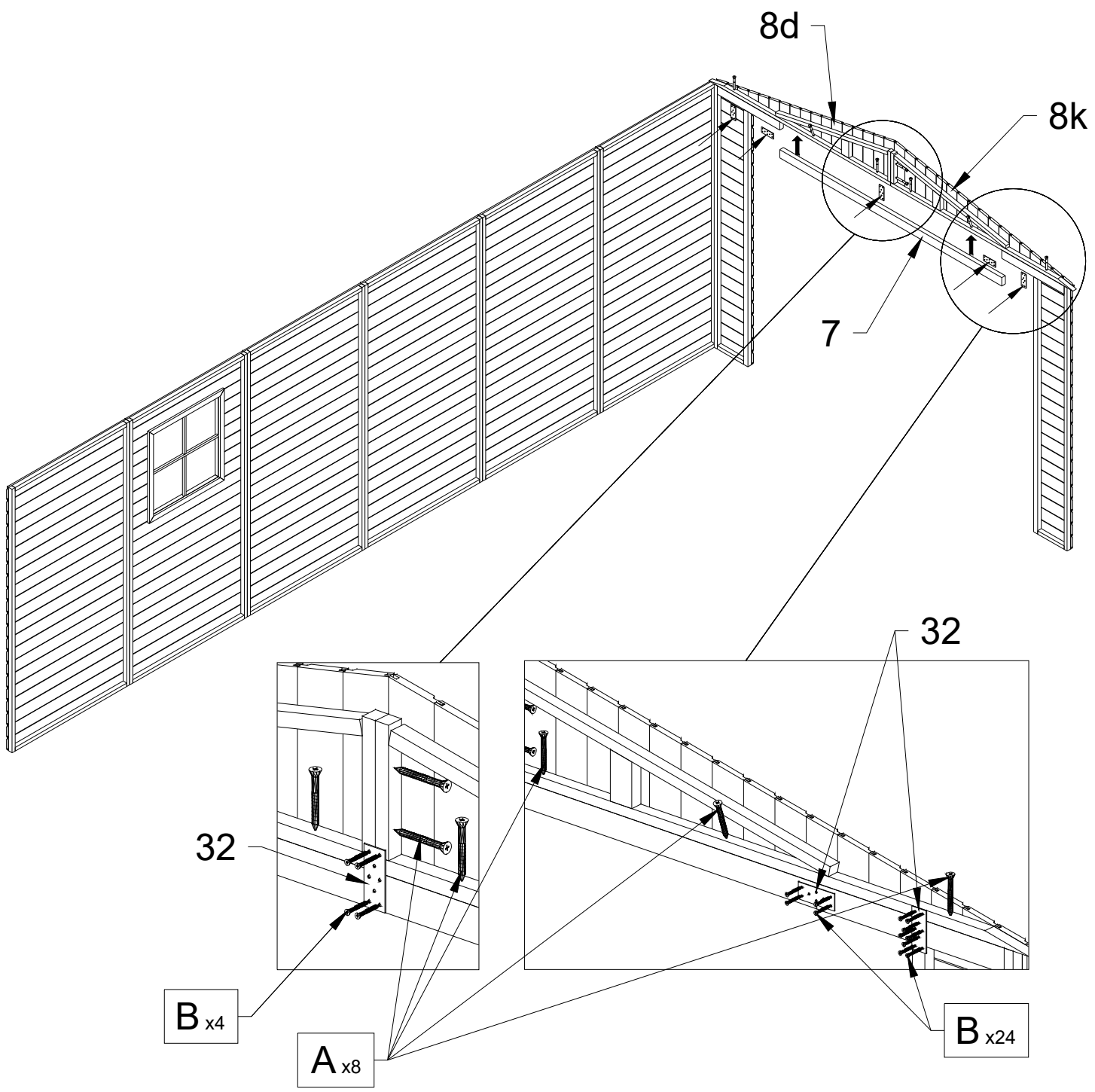


2

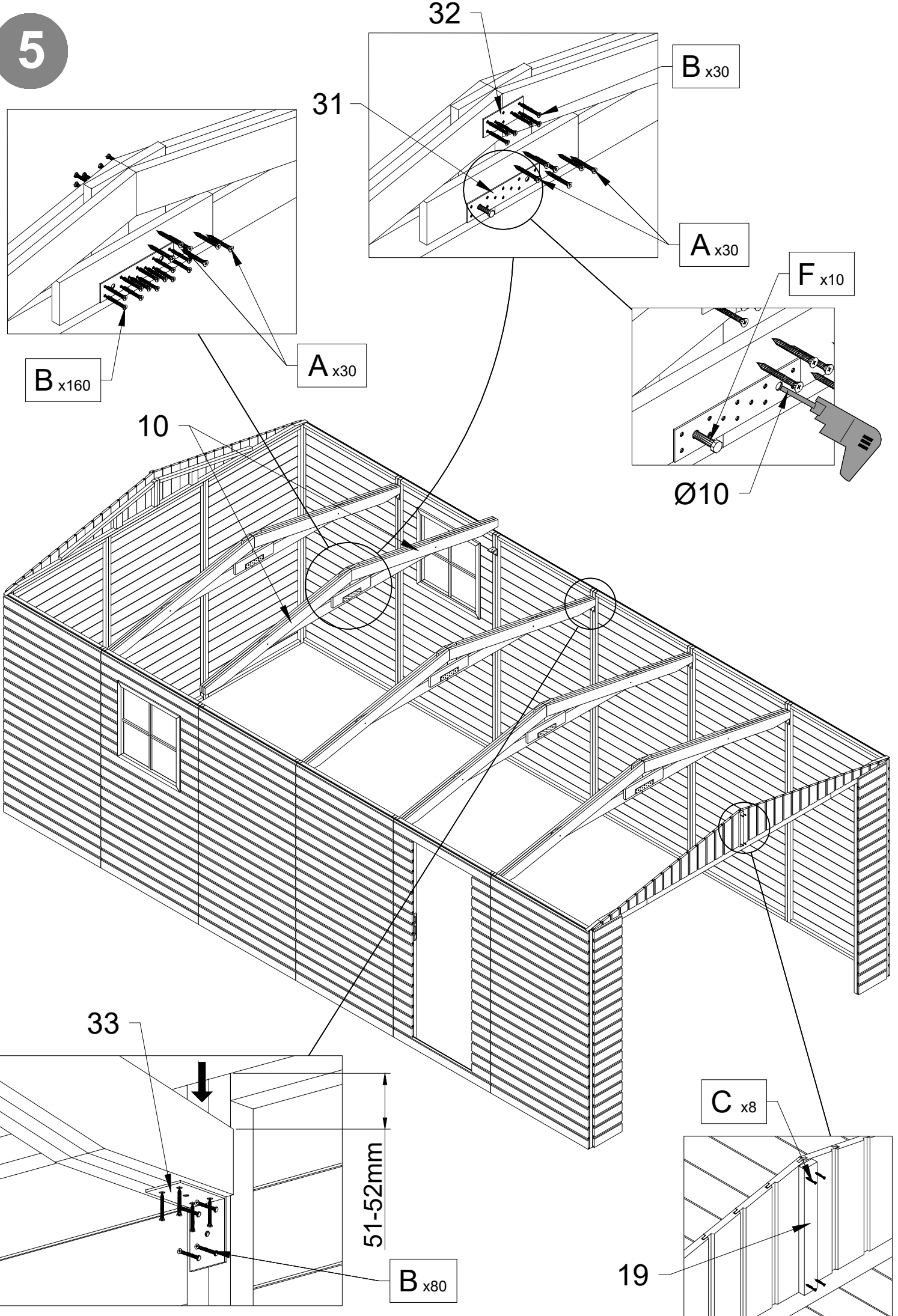




A<sub>x10</sub>

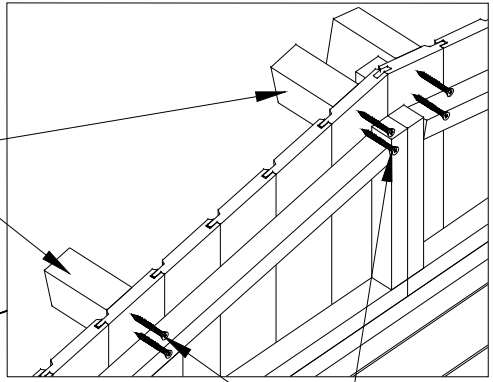


5

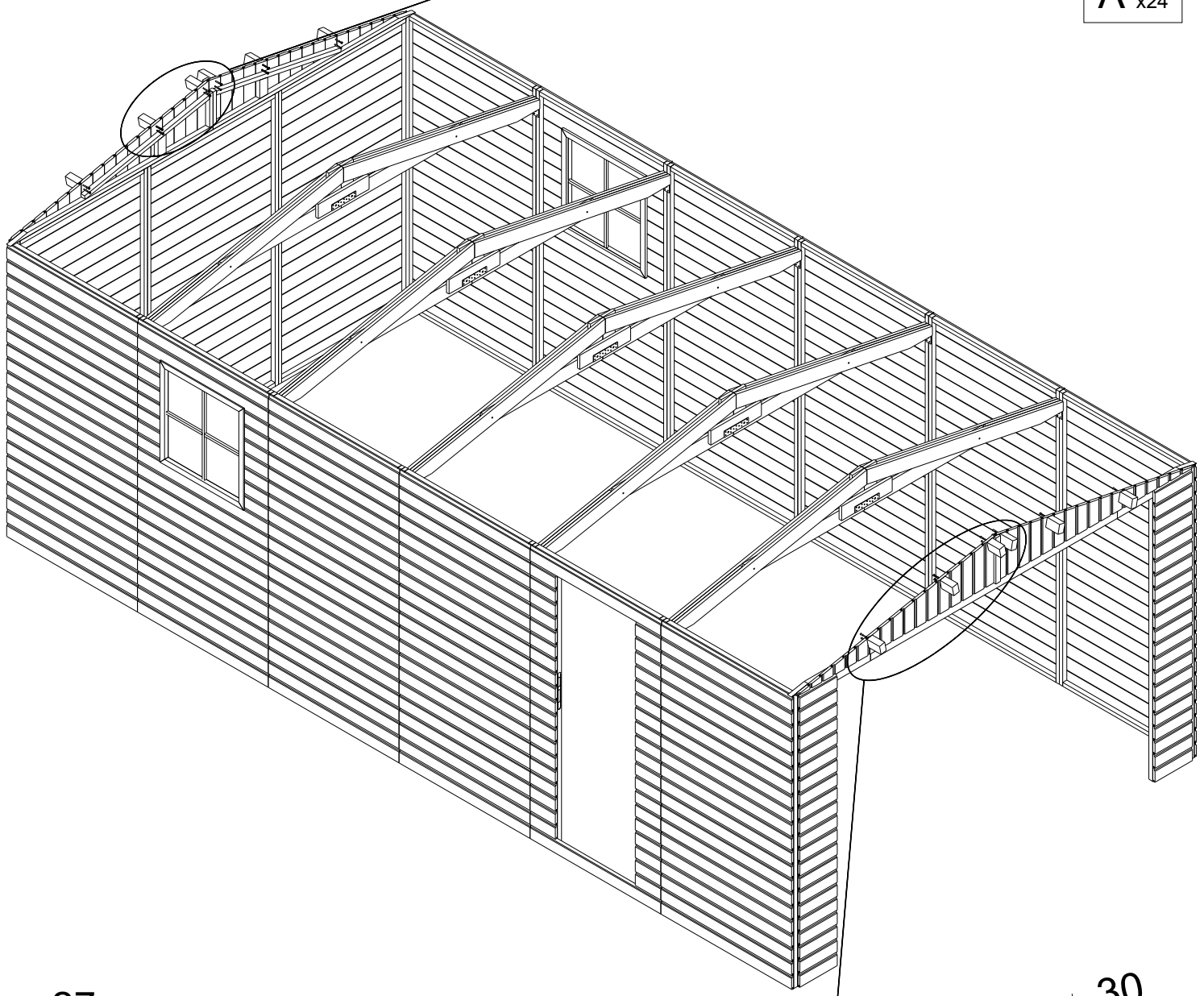


6

27



A x24



27

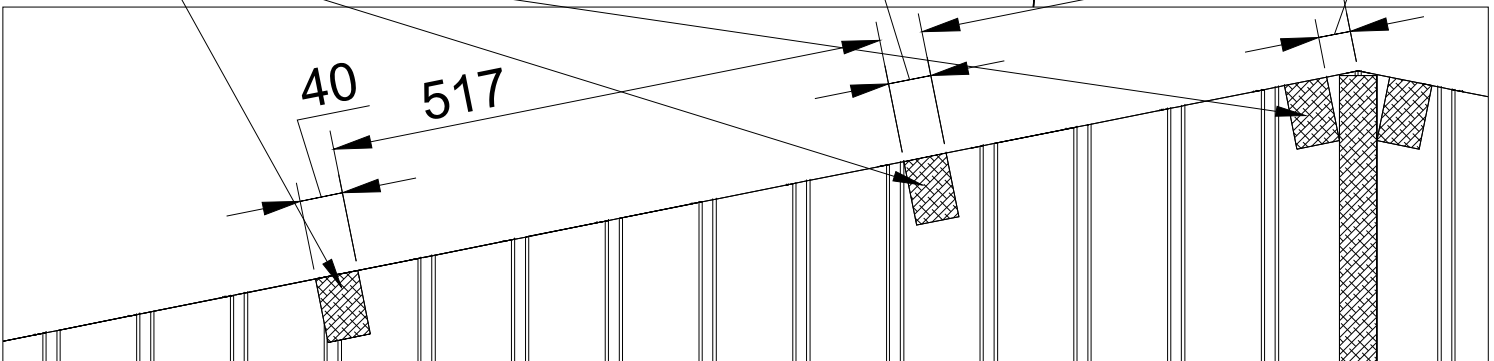
40

390

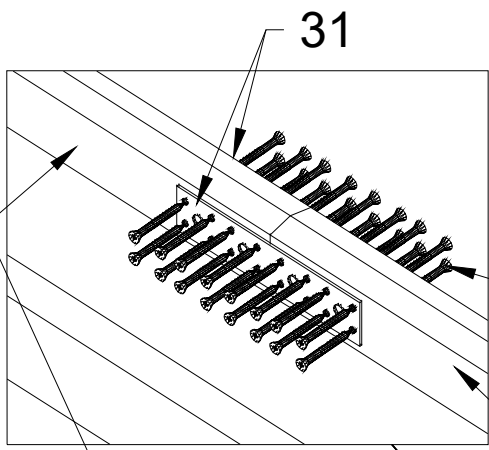
30

40

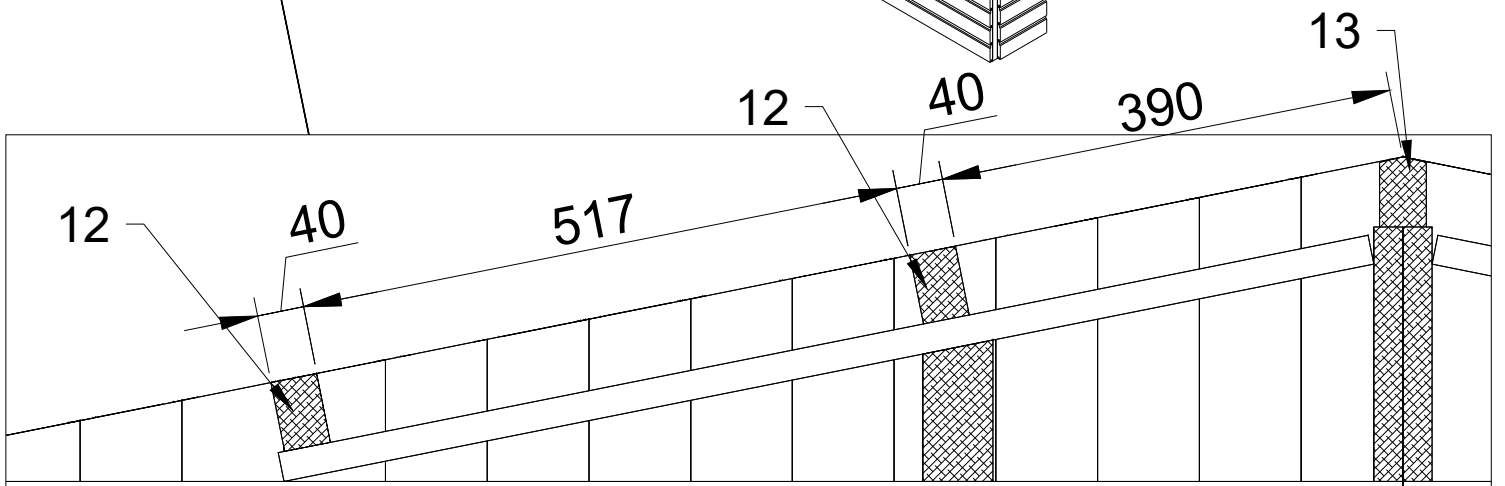
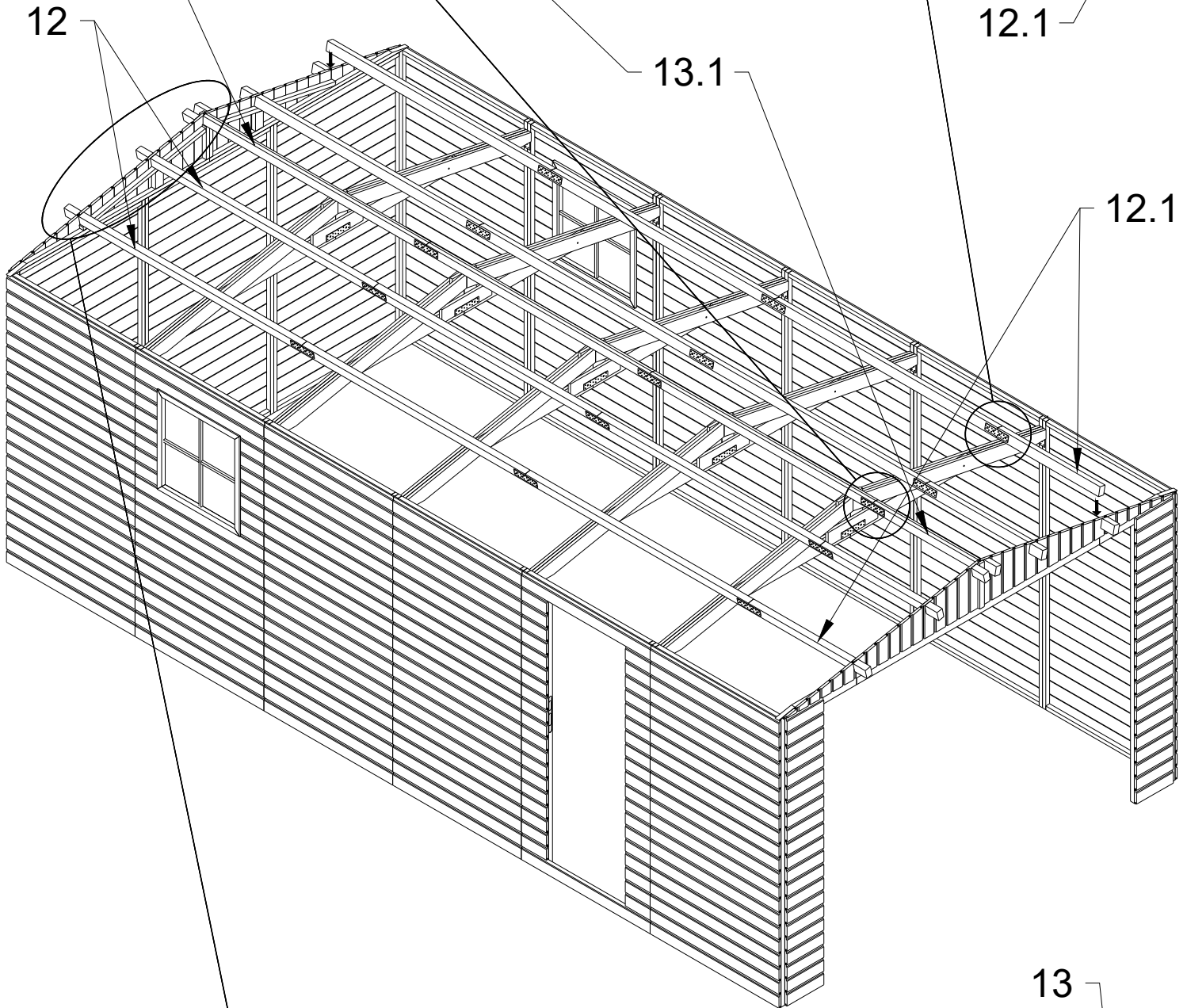
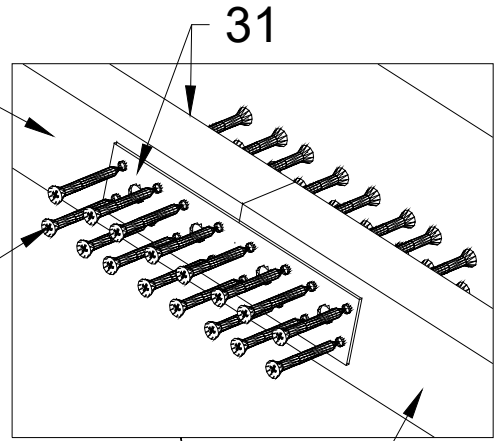
517



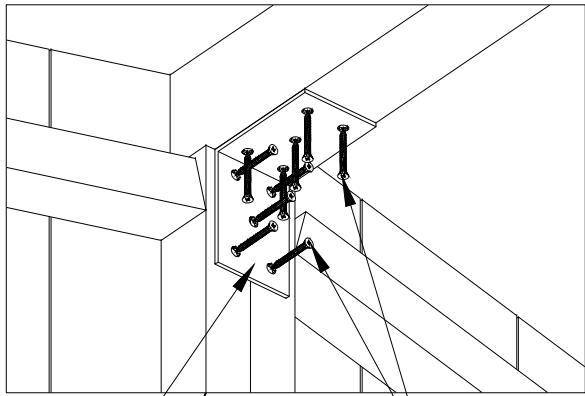
7



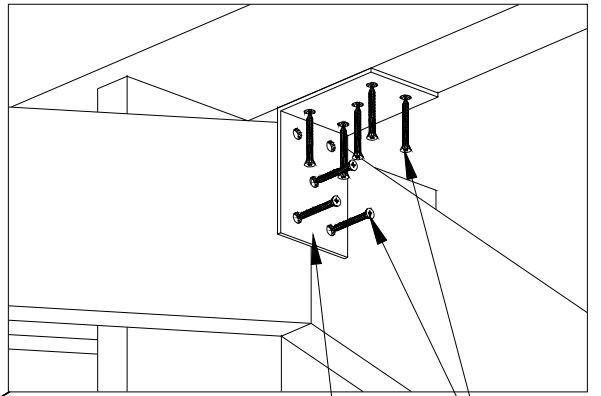
B x480



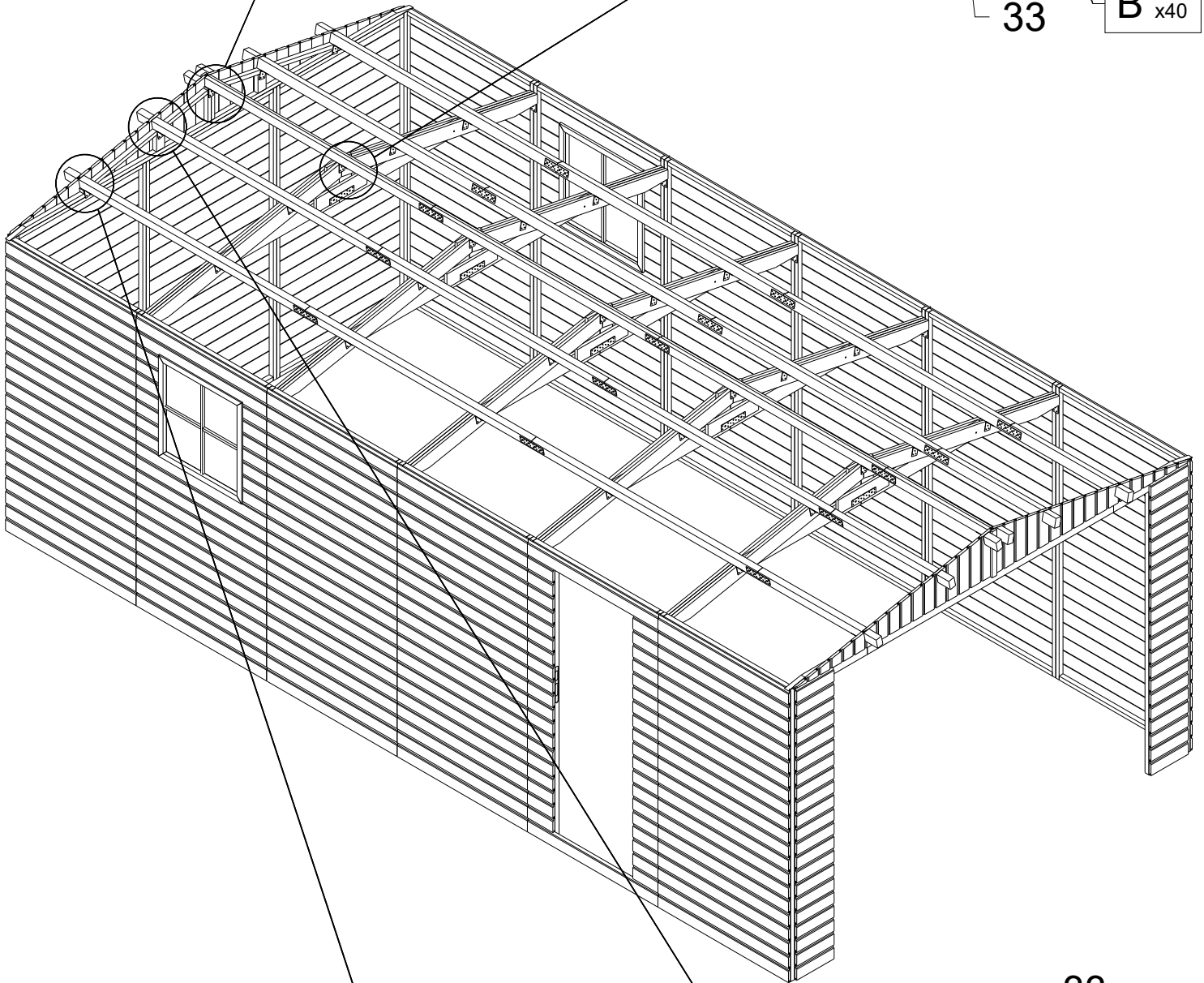
8



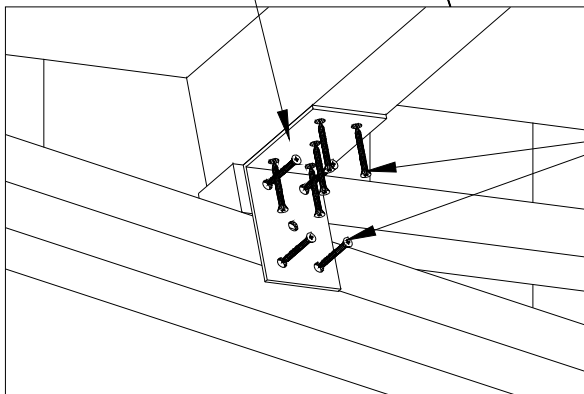
B x20



B x40

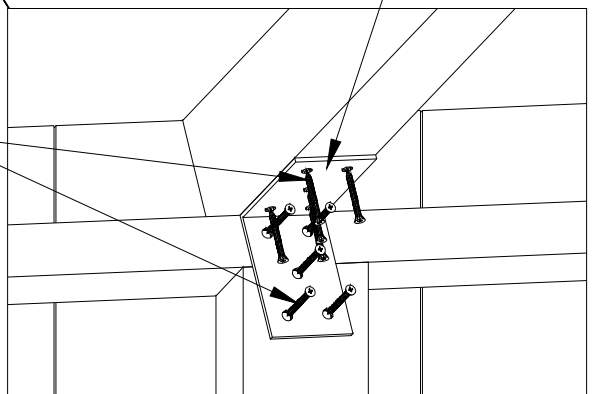


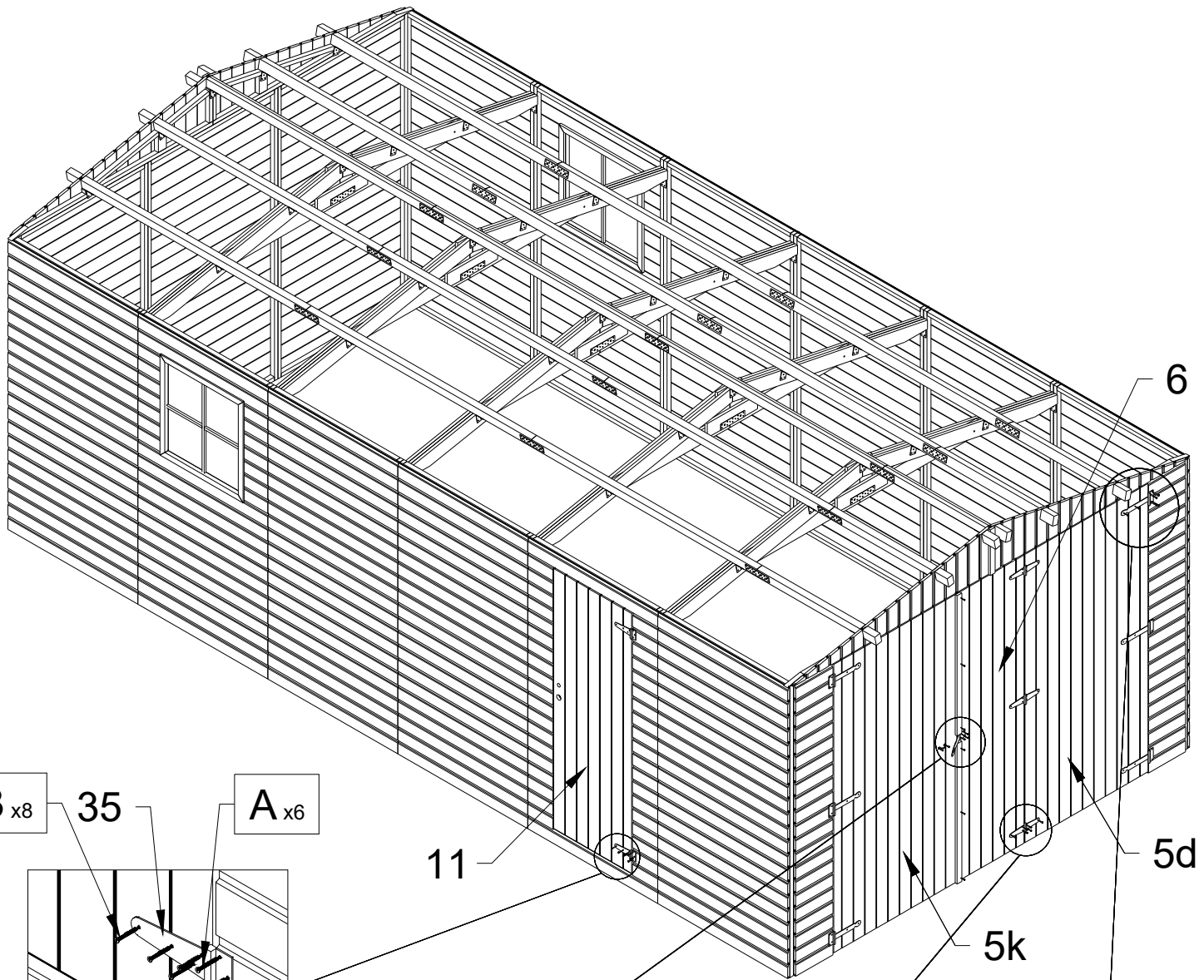
33



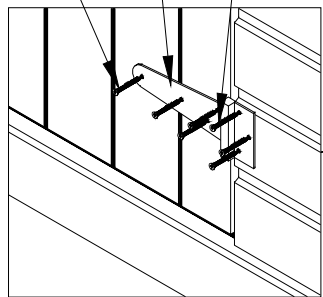
B x276

33





$B_{x8}$  35  $A_{x6}$

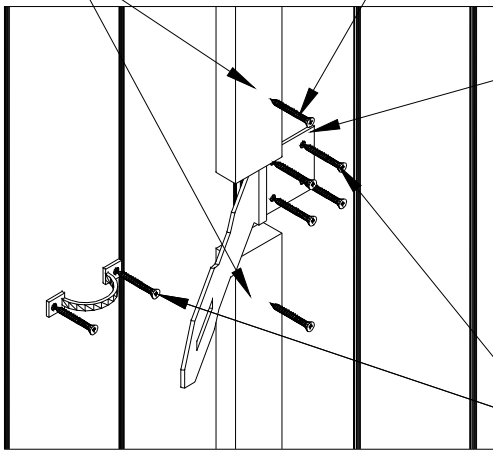


11

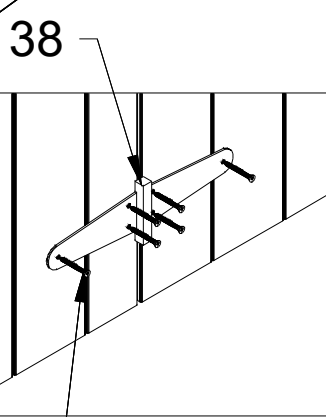
5d

5k

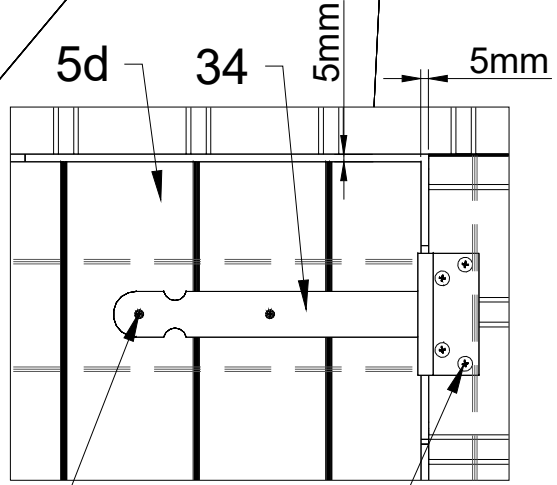
23  $B_{x6}$



30



38



5d

34

5mm

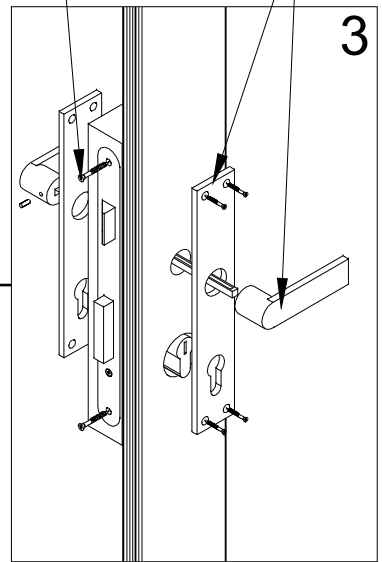
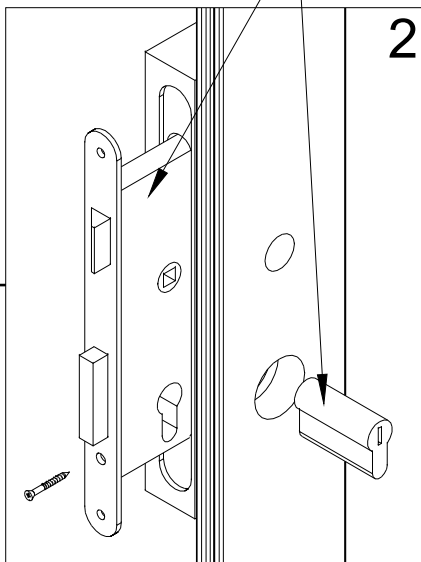
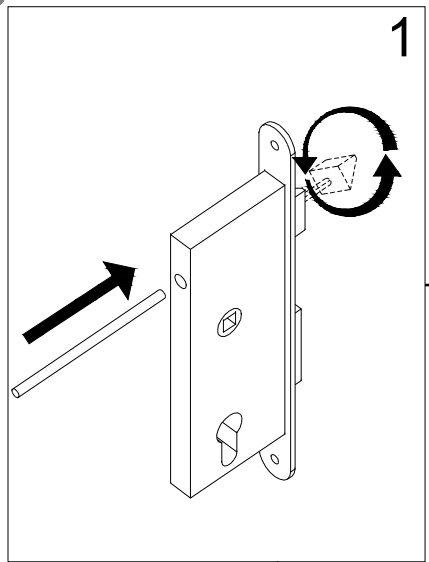
5mm

$E_{x24}$

$E_{x12}$

$A_{x24}$

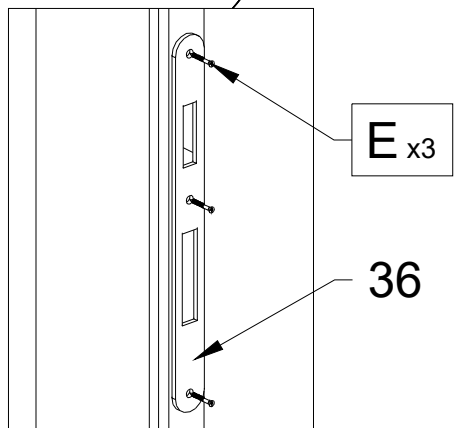
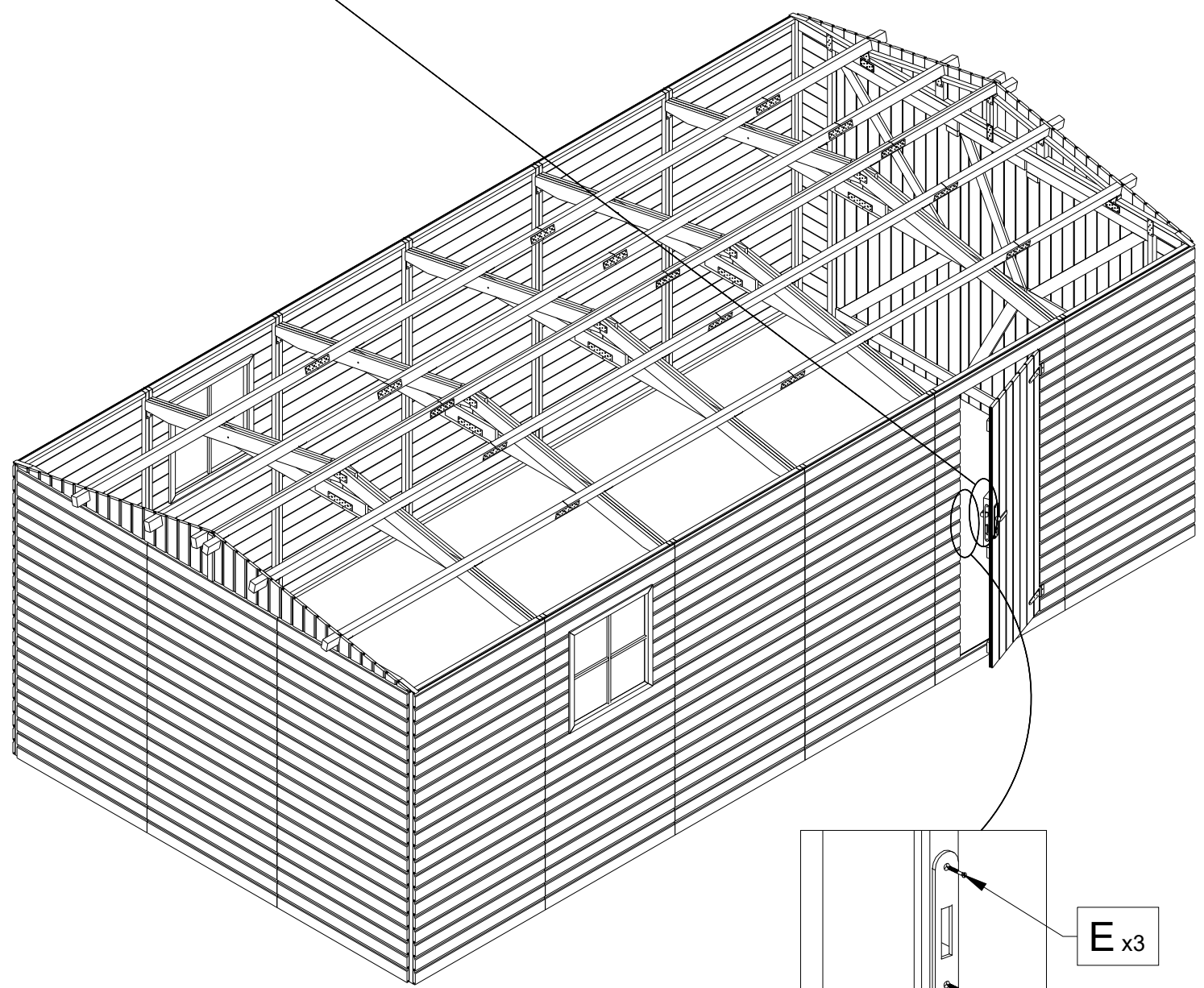
10



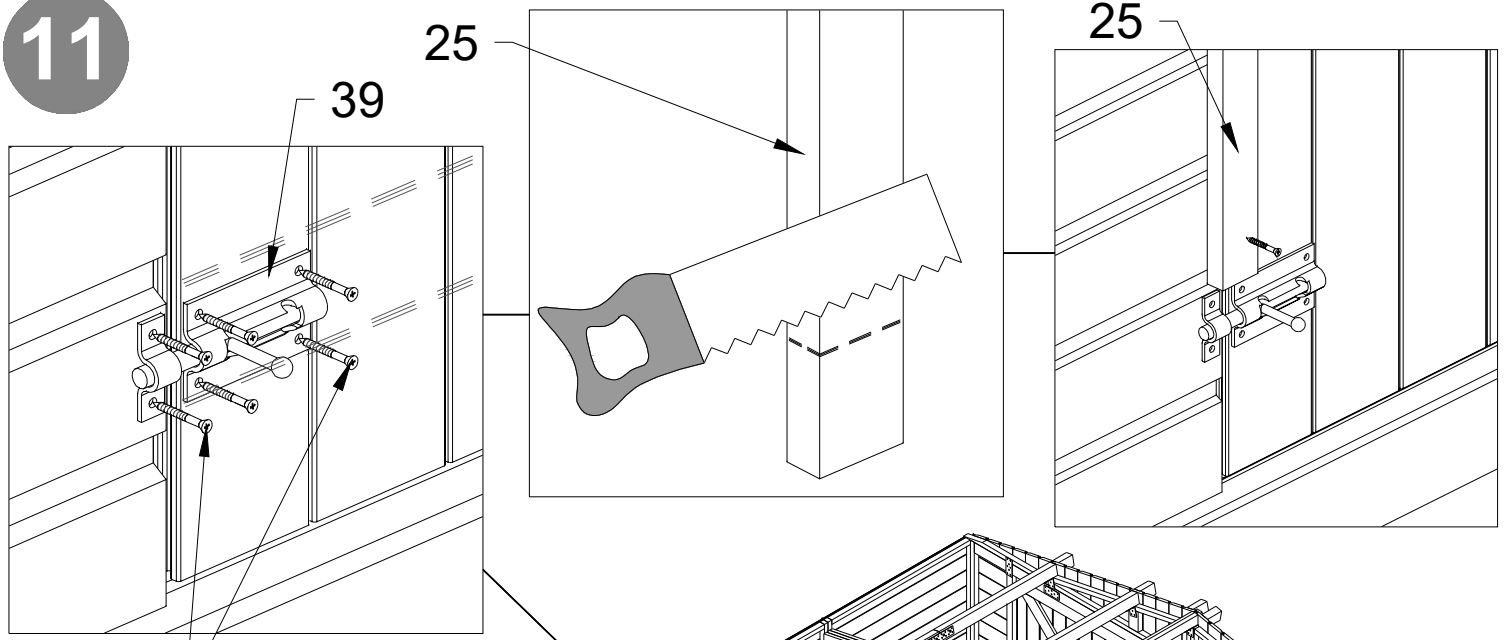
E x2

36

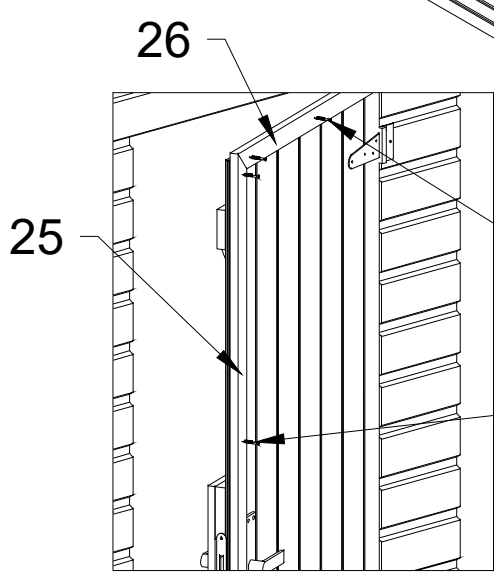
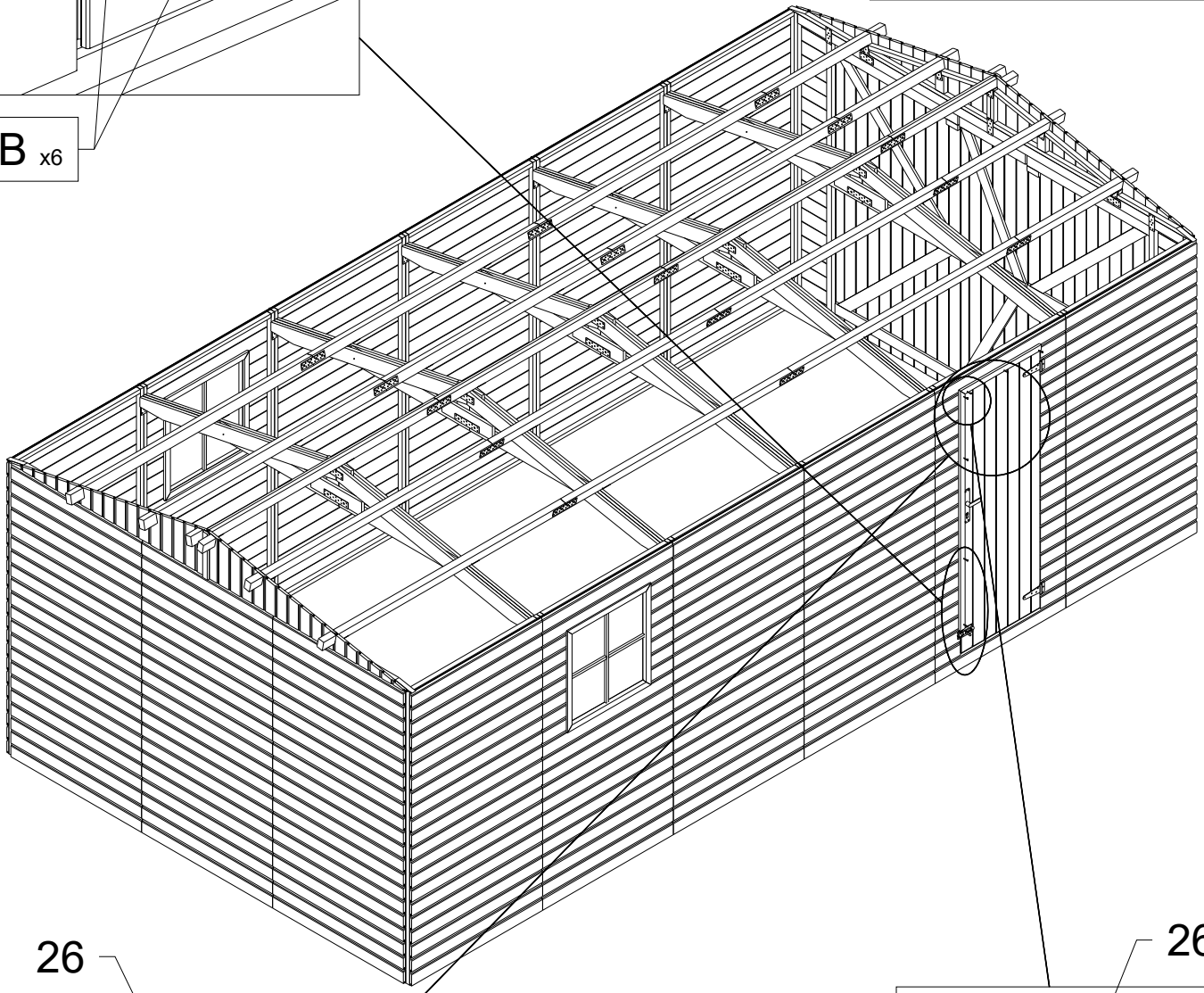
37



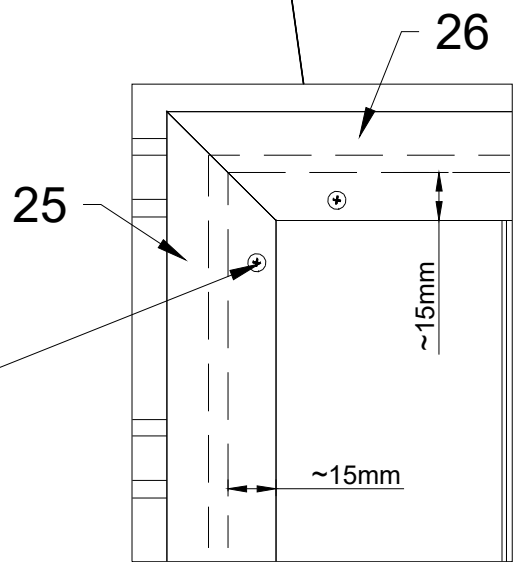
11



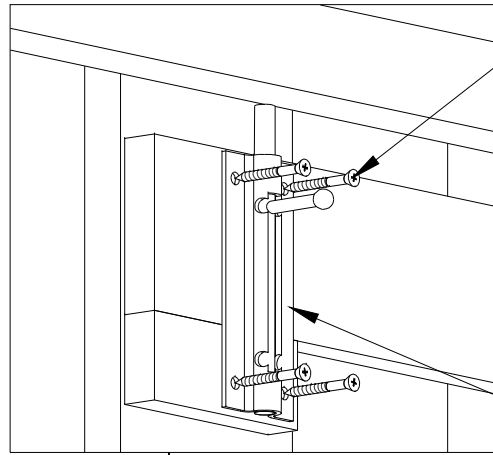
B x6



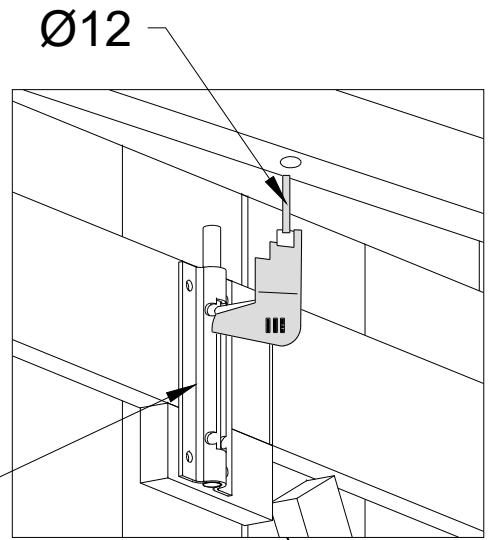
B x7



12



B x8

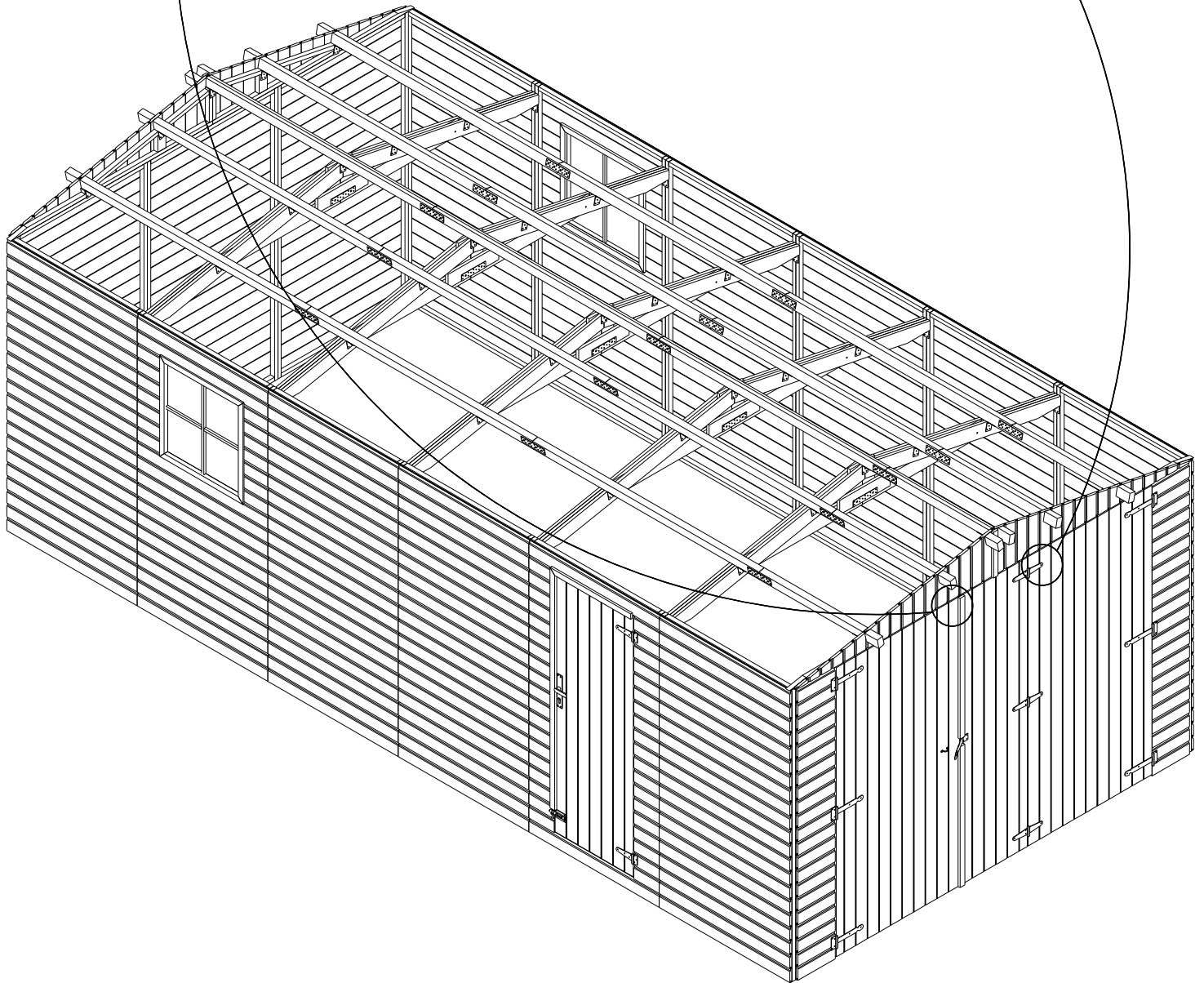


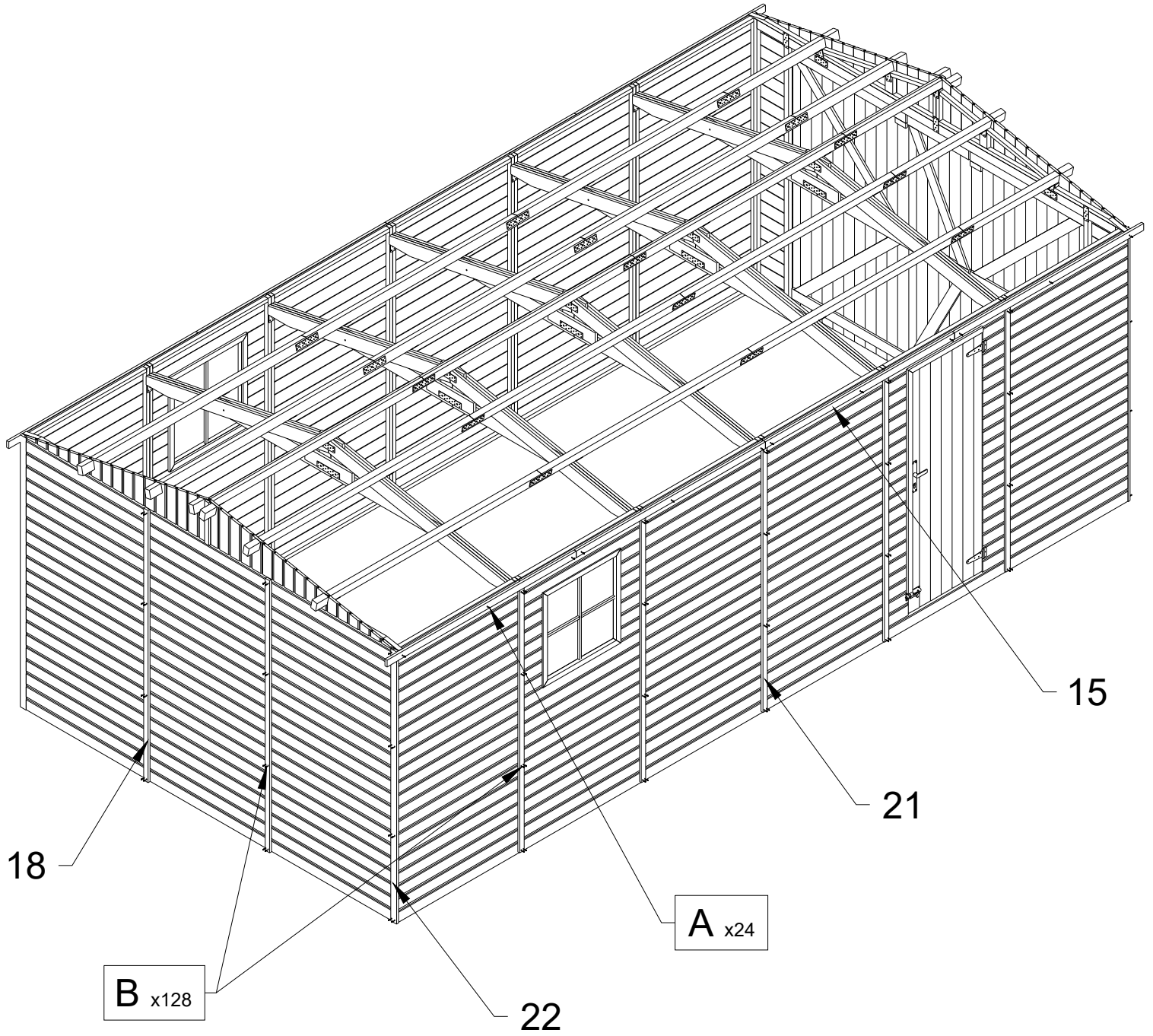
Ø12

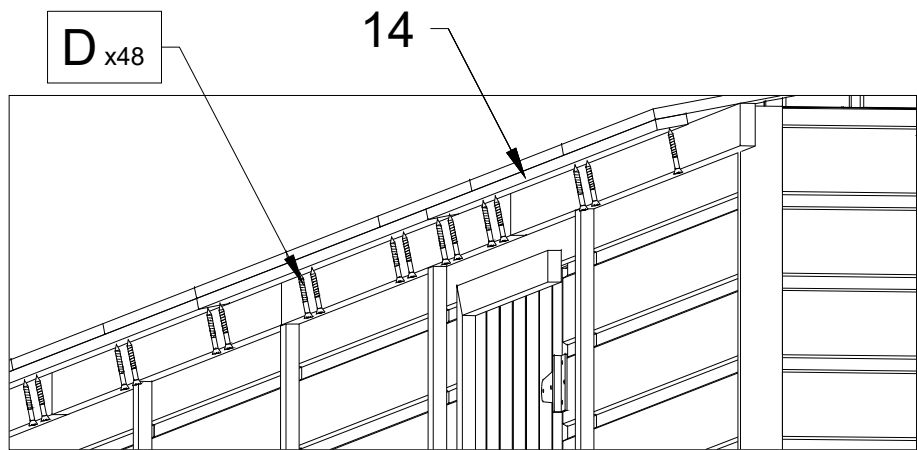
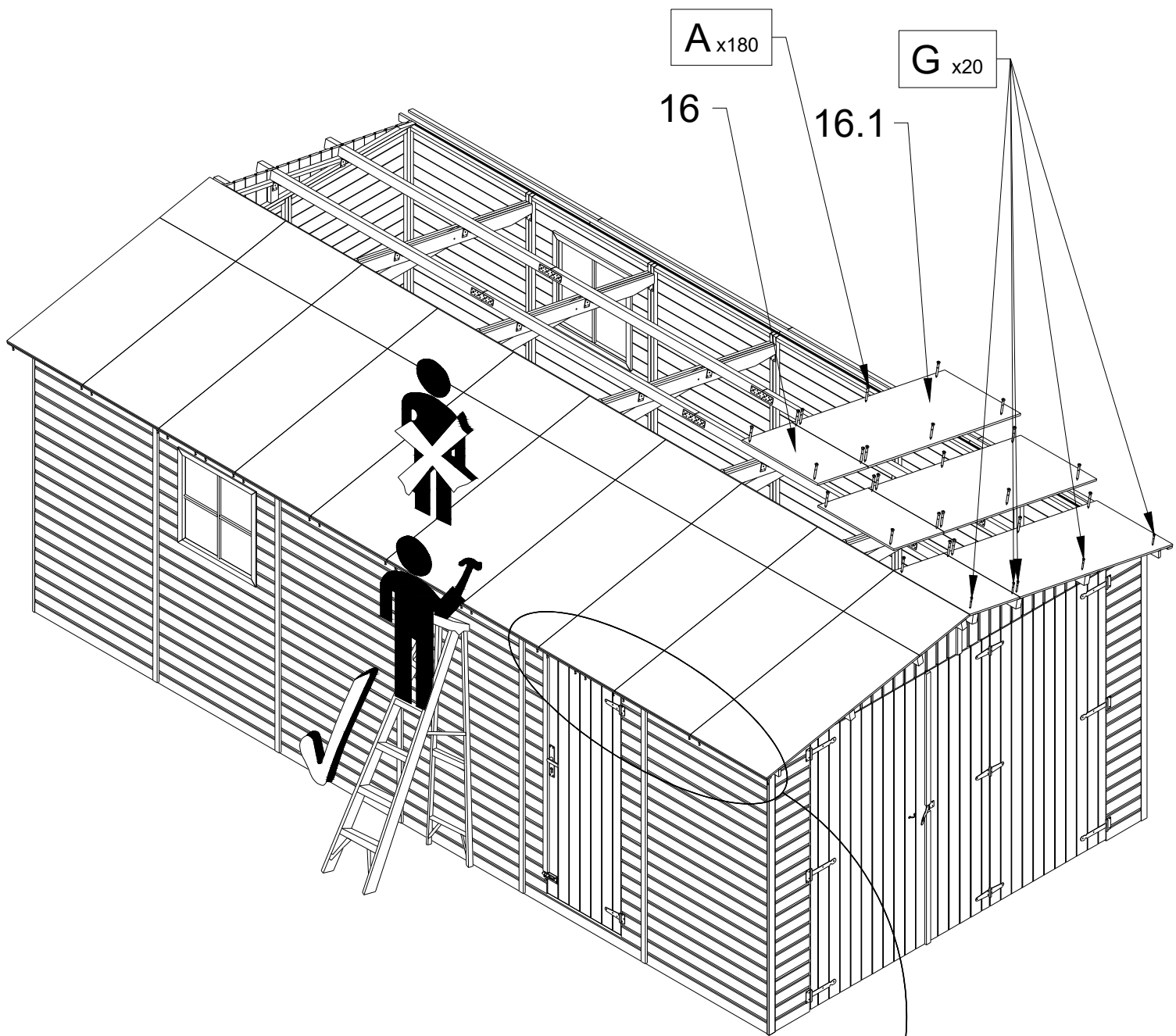
Int.

39

Int.







15

