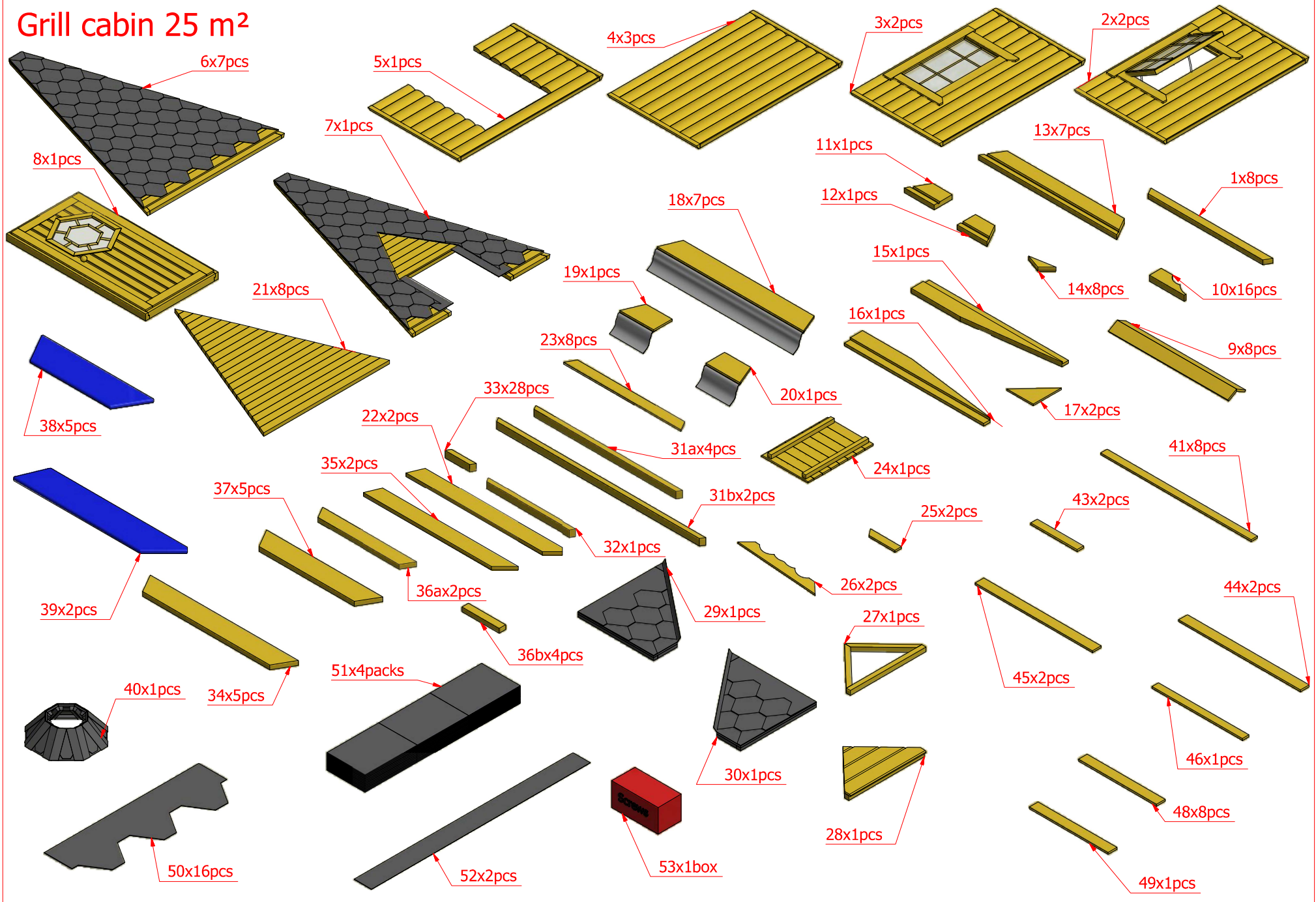


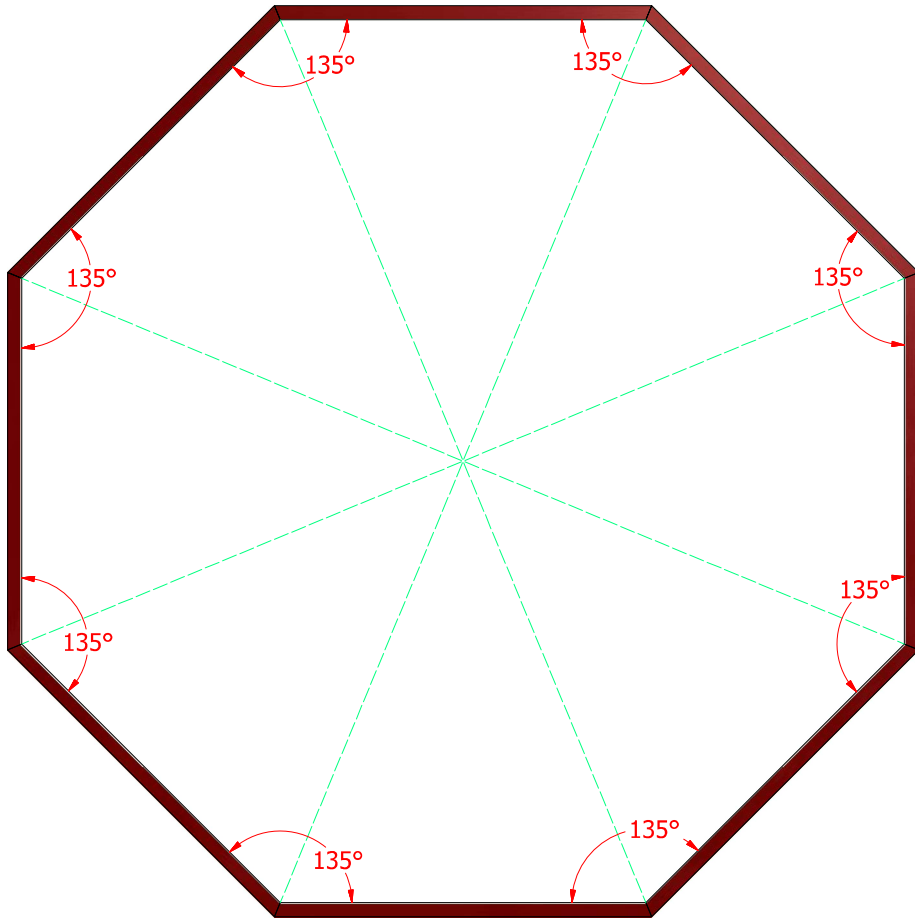
Grill cabin 25 m<sup>2</sup>



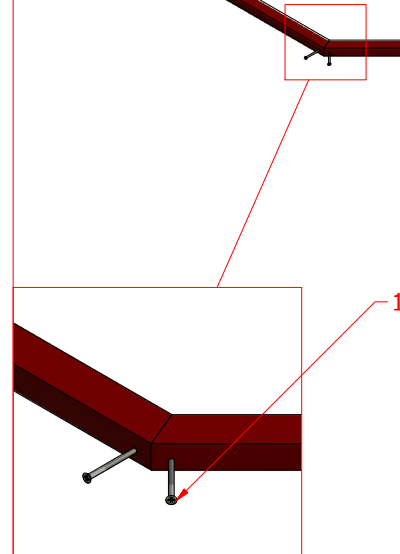
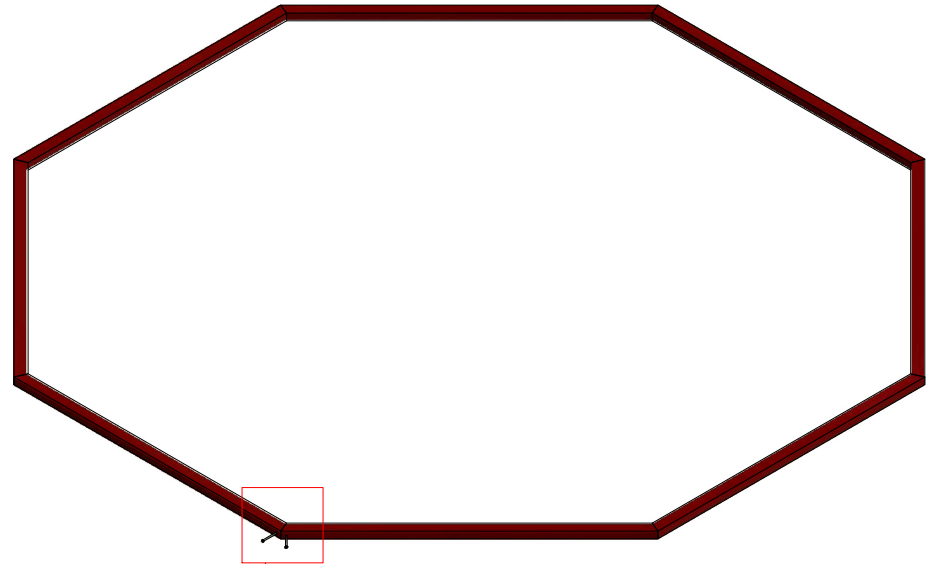
# Grill cabin 25 m<sup>2</sup>



# Grill cabin 25 m<sup>2</sup>



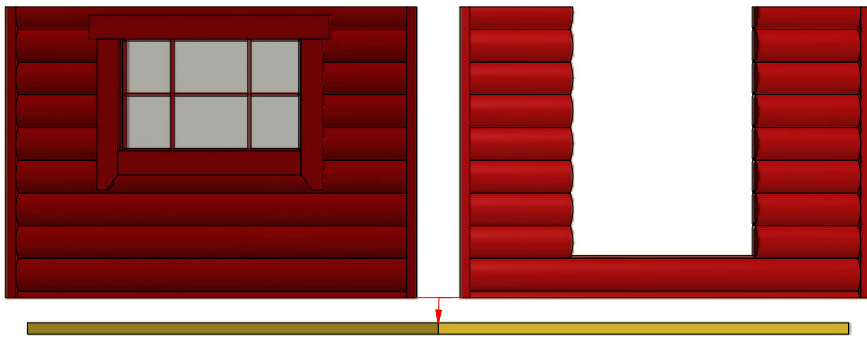
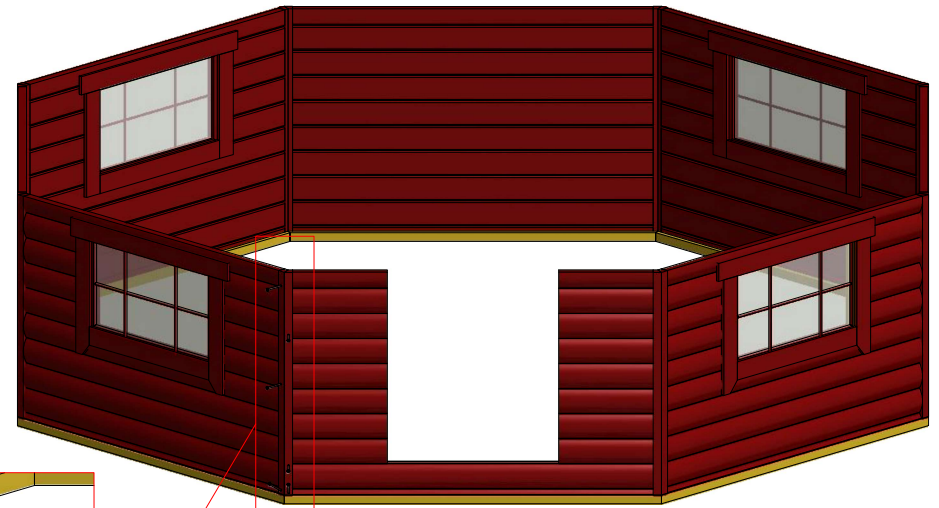
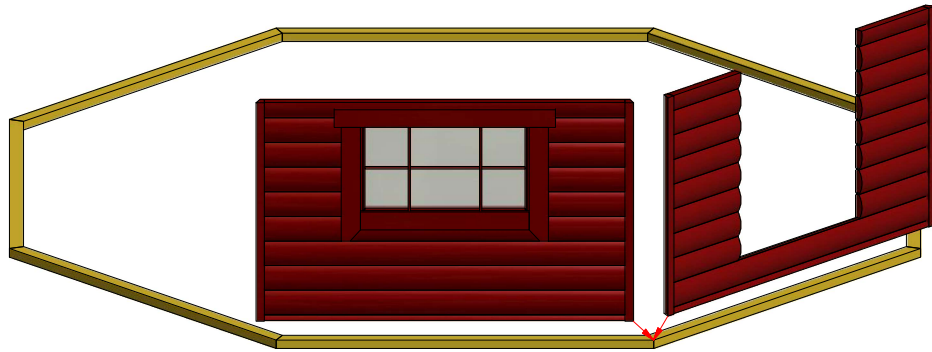
| Screws |    |       |        |
|--------|----|-------|--------|
| 1      | S1 | 5x100 | 16 pcs |
|        |    |       |        |



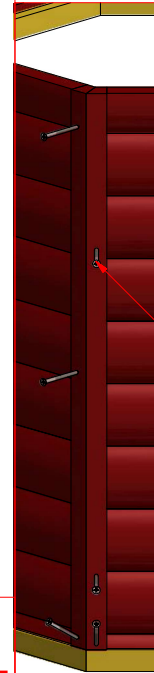
1

# Grill cabin 25 m<sup>2</sup>

| Screws |    |      |    |
|--------|----|------|----|
| 1      | S2 | 4x70 | 48 |
|        |    |      |    |



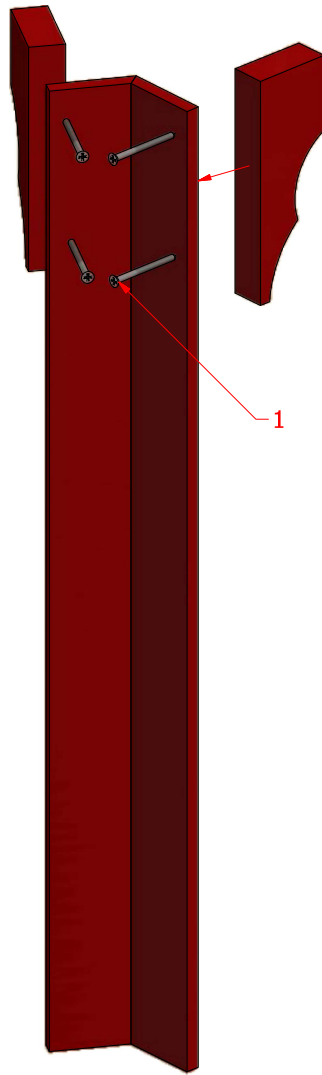
2.1



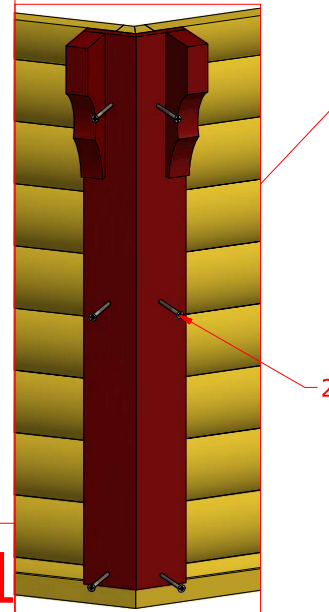
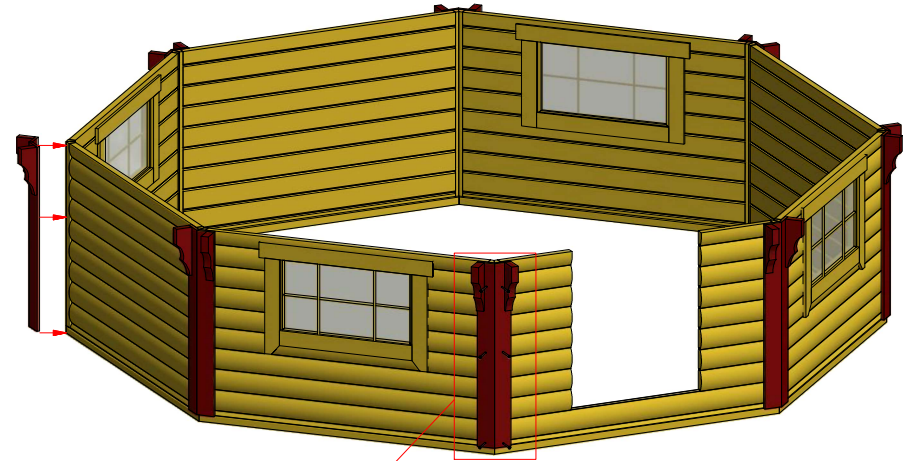
2.2

# Grill cabin 25 m<sup>2</sup>

| Screws |    |        |        |
|--------|----|--------|--------|
| 1      | S2 | 4x70   | 32 pcs |
| 2      | S3 | 3.5x45 | 48 pcs |



3.1

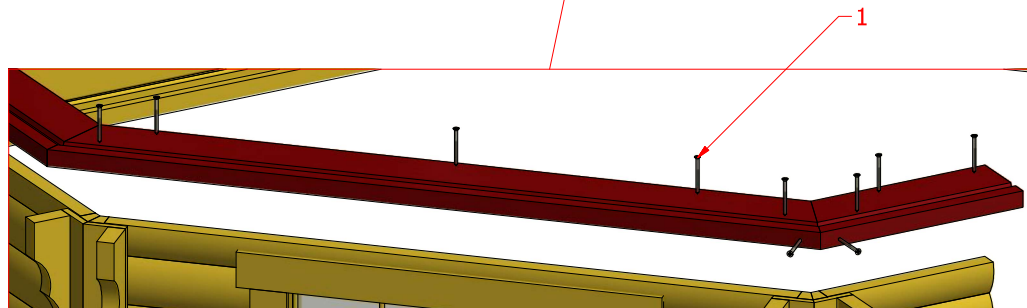
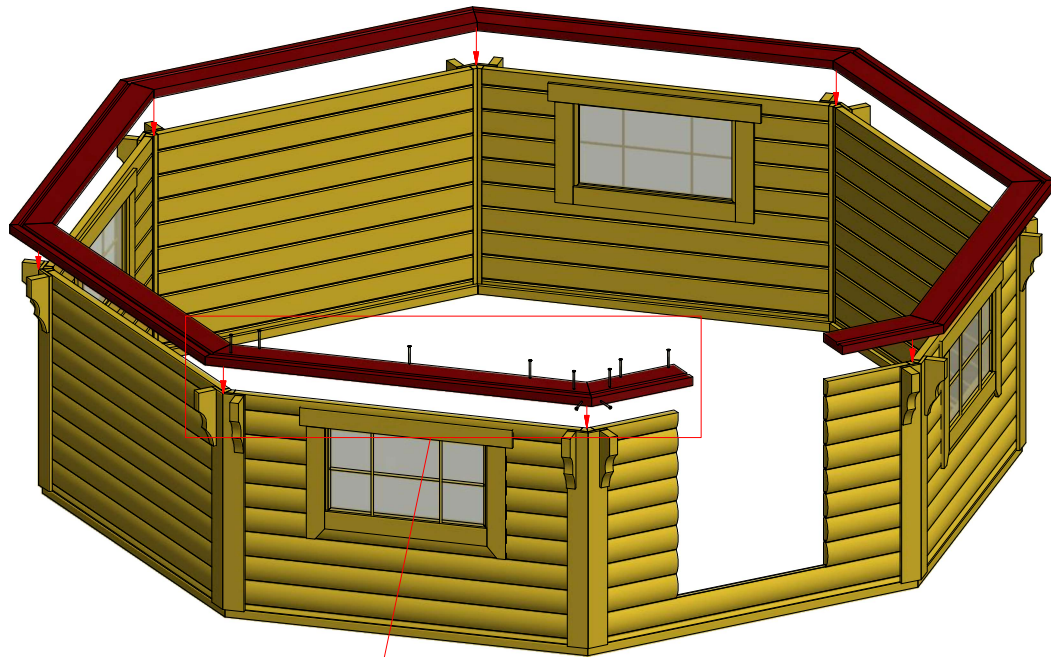
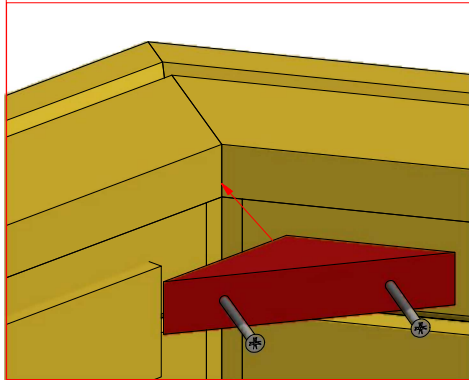


3.2

# Grill cabin 25 m<sup>2</sup>

## Screws

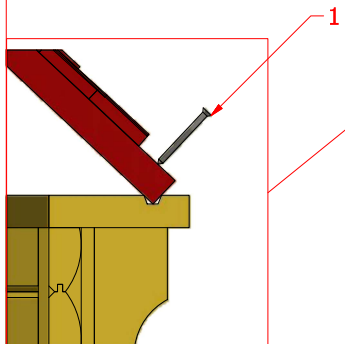
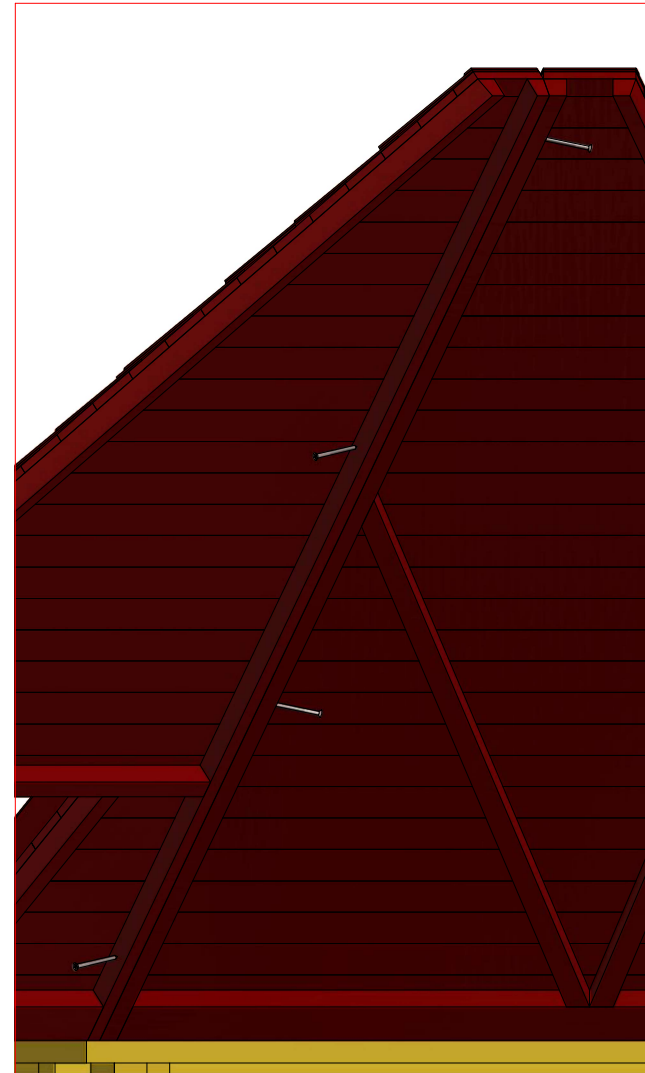
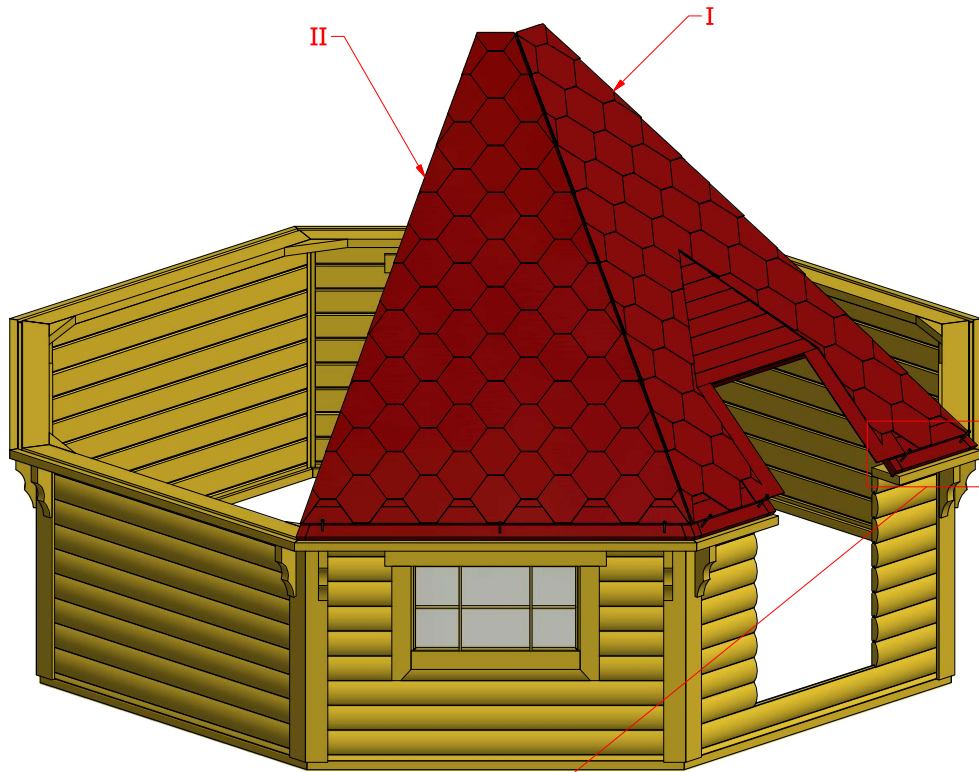
|   |    |      |        |
|---|----|------|--------|
| 1 | S2 | 4x70 | 73 pcs |
|   |    |      |        |



# Grill cabin 25 m<sup>2</sup>

## Screws

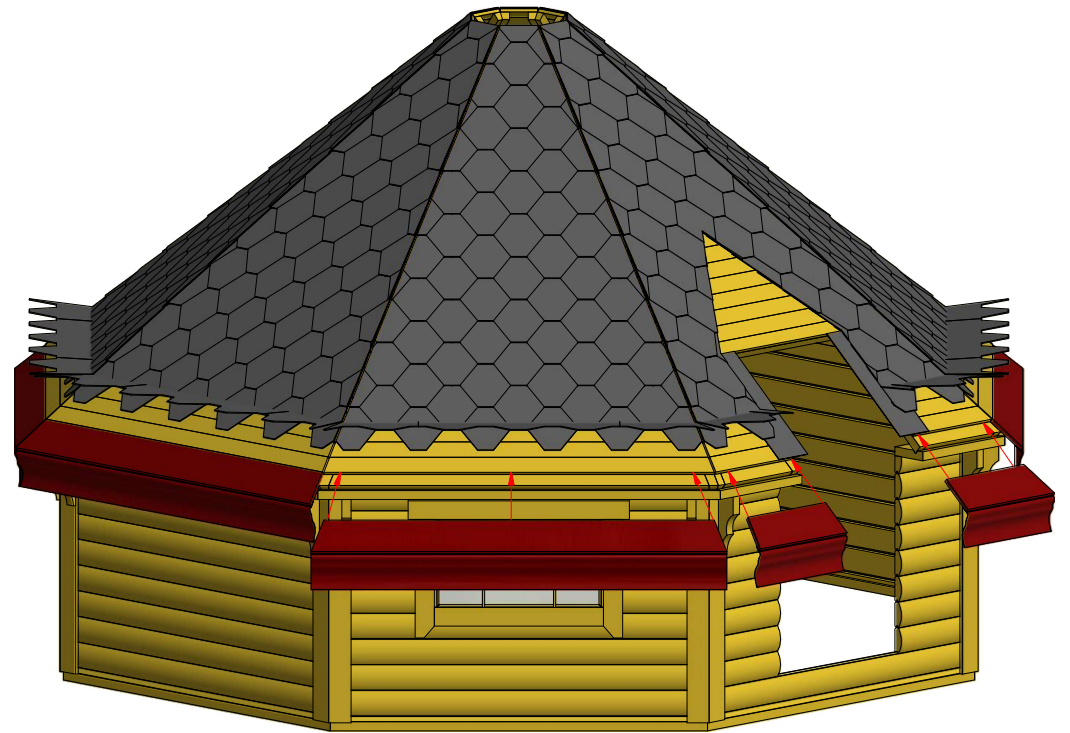
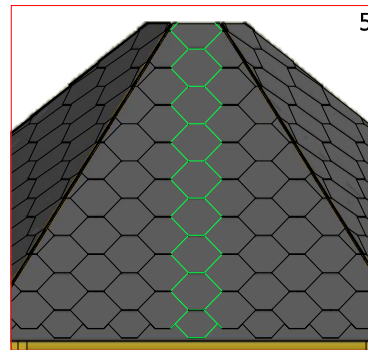
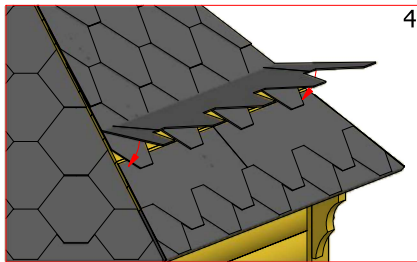
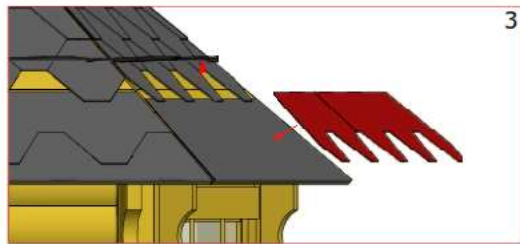
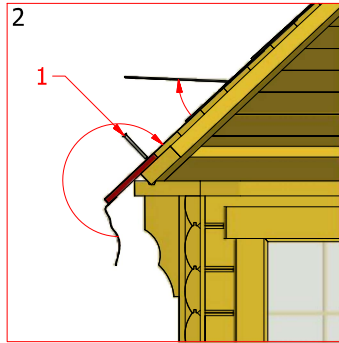
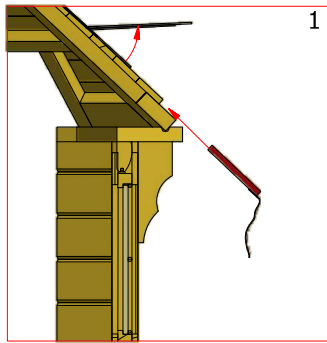
|   |    |      |       |
|---|----|------|-------|
| 1 | S2 | 4x70 | 57pcs |
|   |    |      |       |



# Grill cabin 25 m<sup>2</sup>

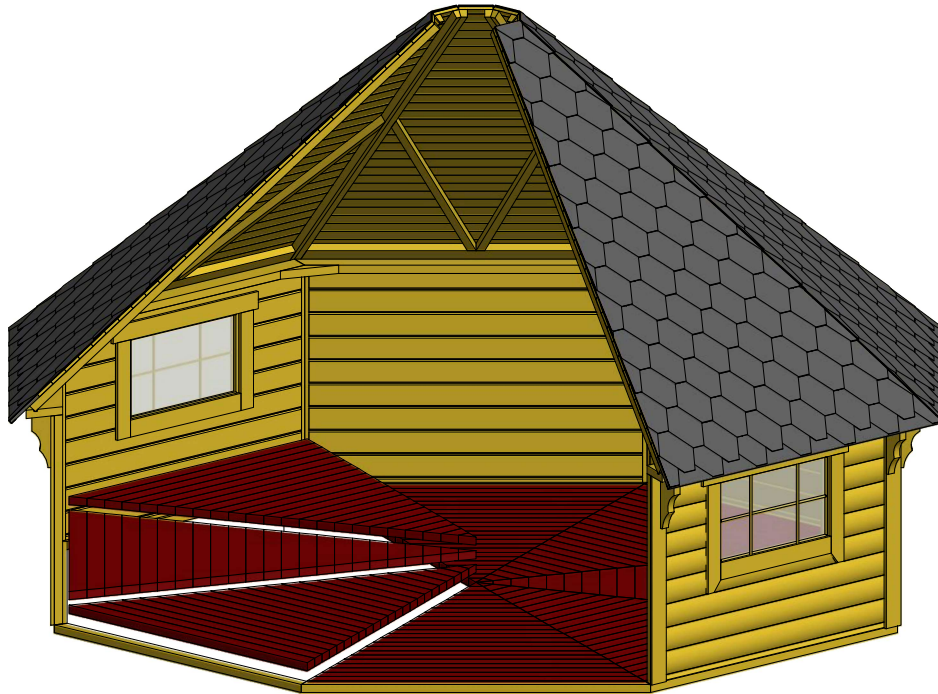
## Screws

|   |    |        |        |
|---|----|--------|--------|
| 1 | S3 | 3.5x45 | 41 pcs |
| 2 | V1 | 2.5x25 |        |

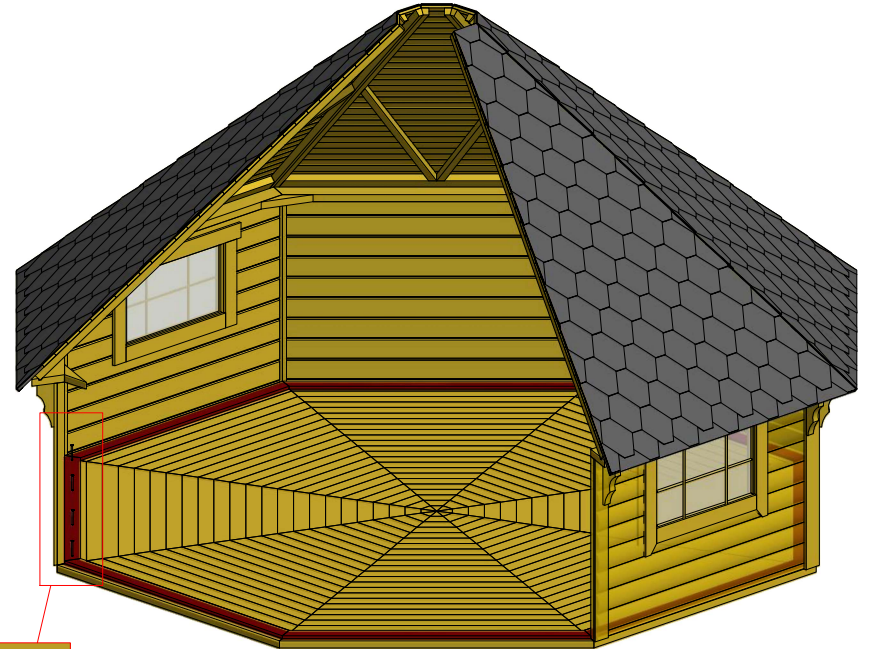


# Grill cabin 25 m<sup>2</sup>

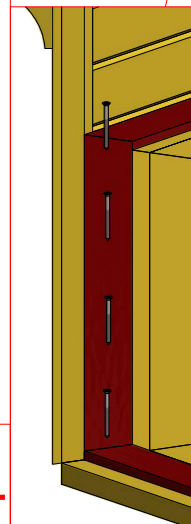
| Screws |    |        |        |
|--------|----|--------|--------|
| 1      | S3 | 3.5x45 | 32 pcs |
|        |    |        |        |



7.1



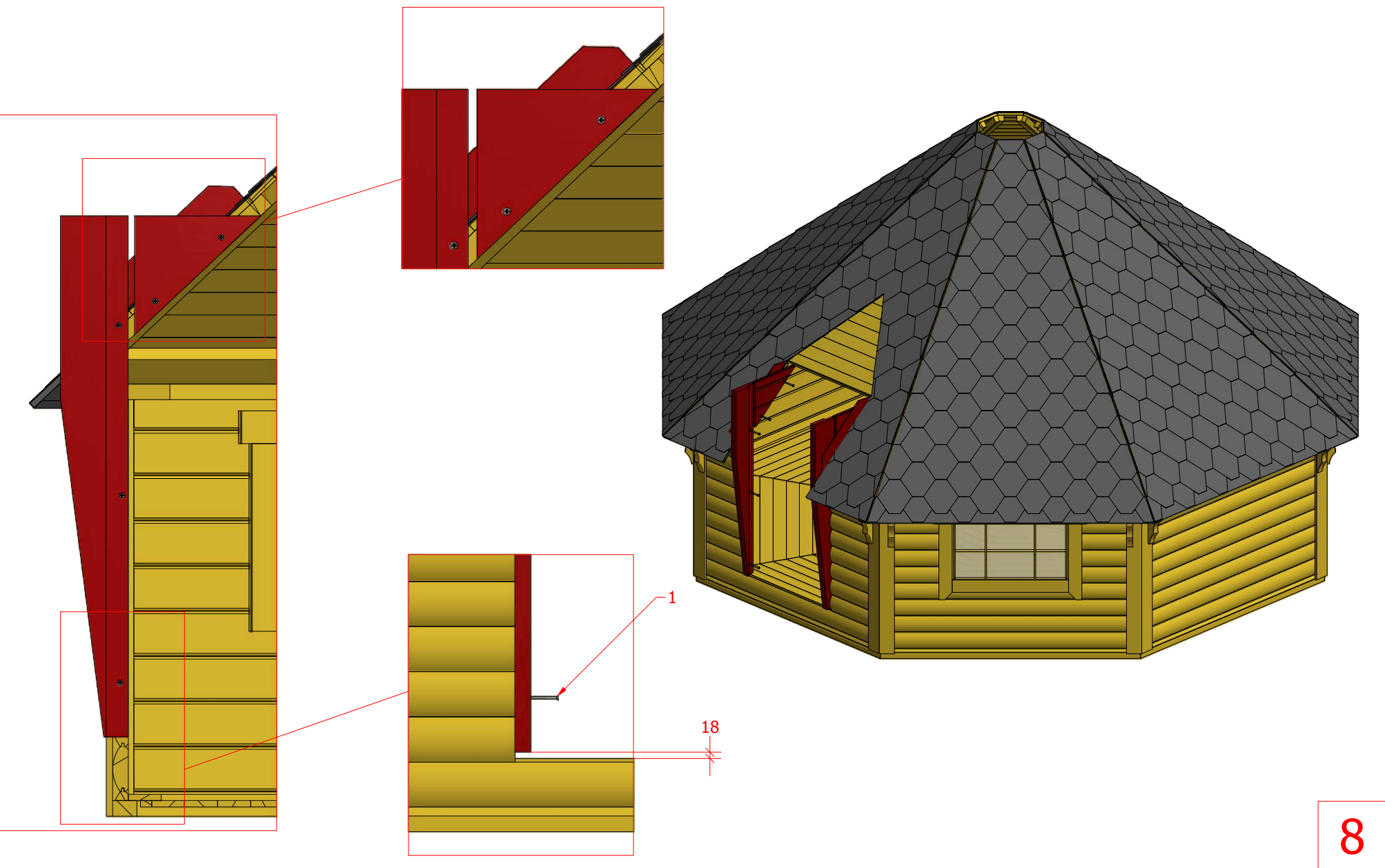
7.2



# Grill cabin 25 m<sup>2</sup>

## Screws

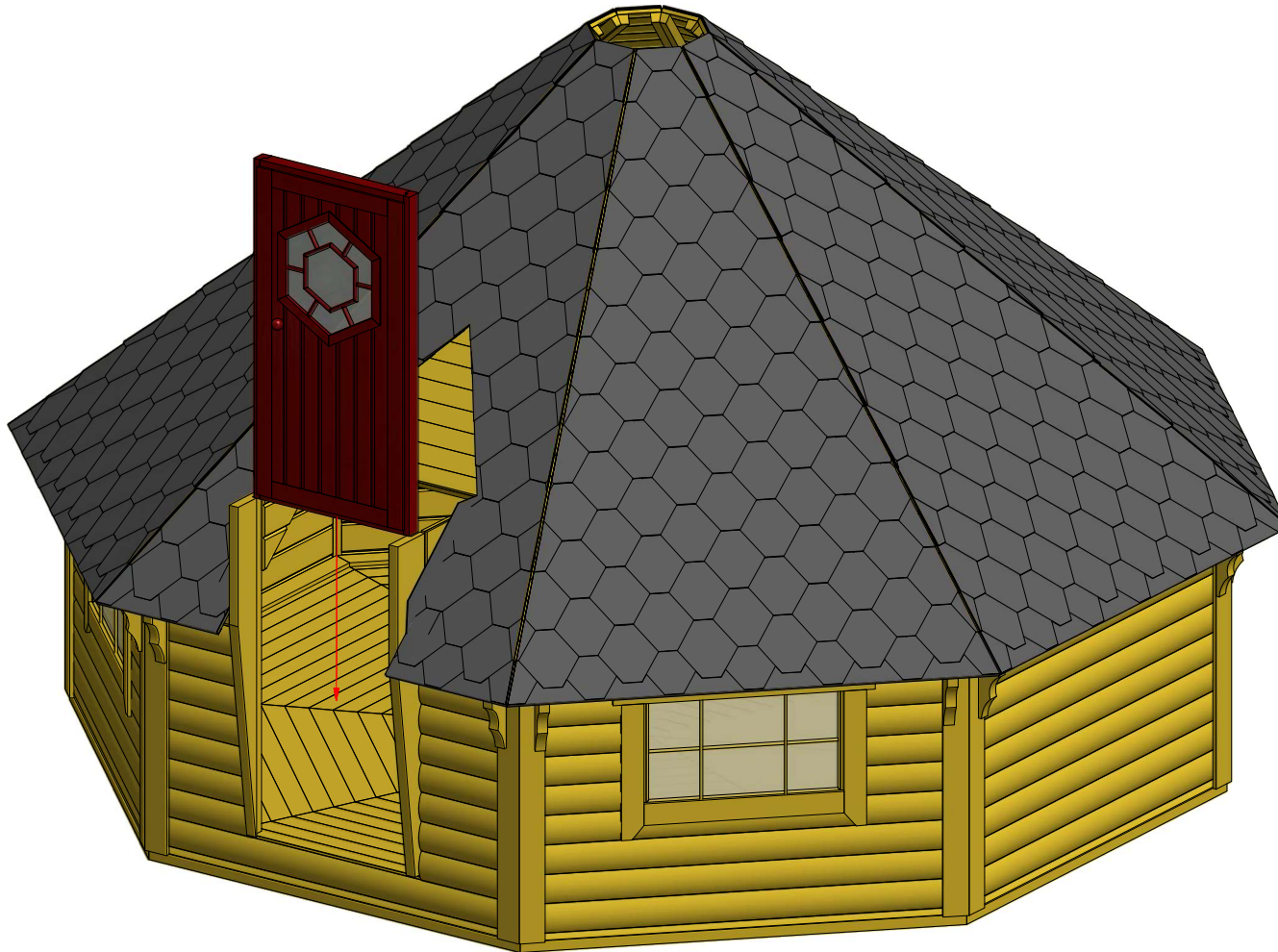
|   |    |      |        |
|---|----|------|--------|
| 1 | S2 | 4x70 | 10 pcs |
|---|----|------|--------|



# Grill cabin 25 m<sup>2</sup>

## Screws

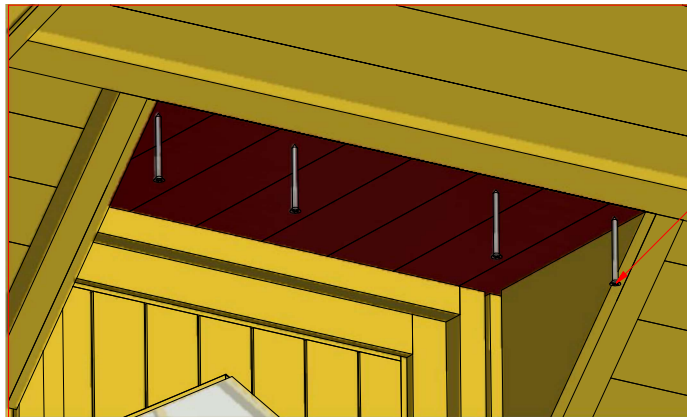
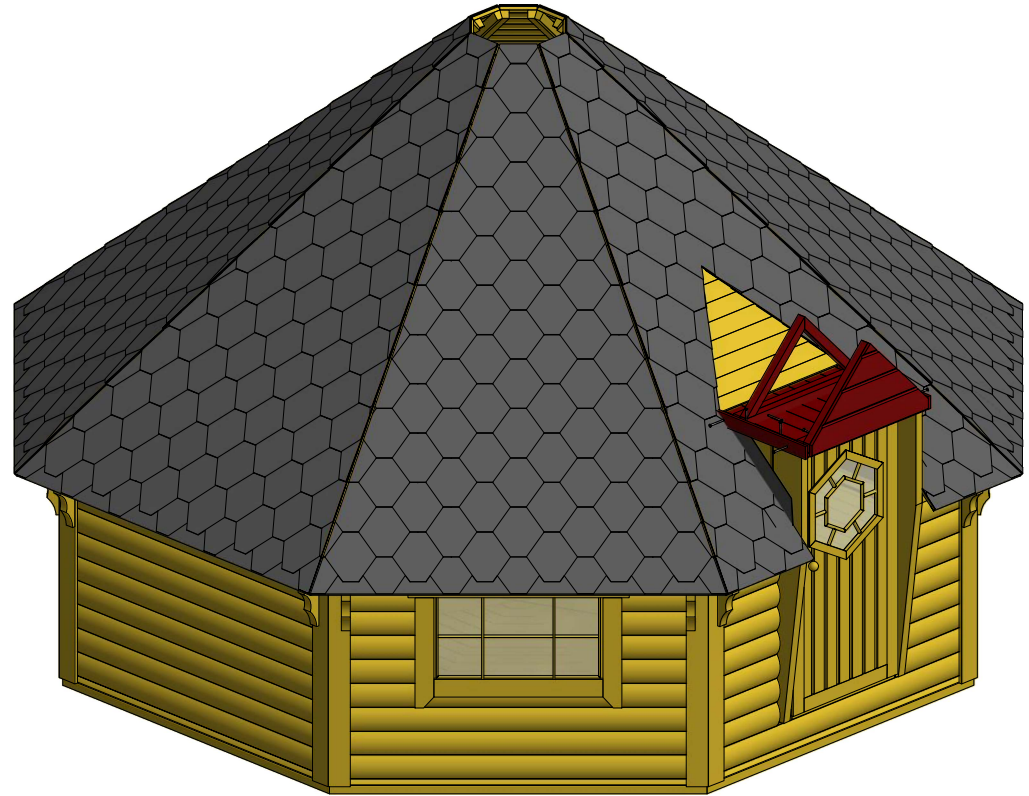
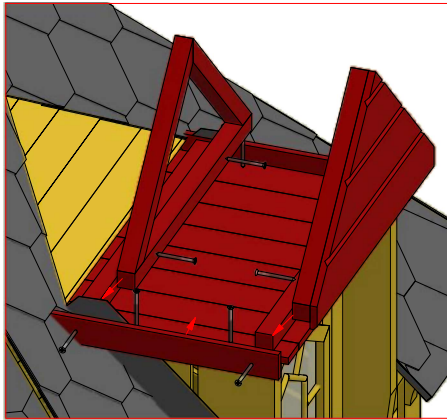
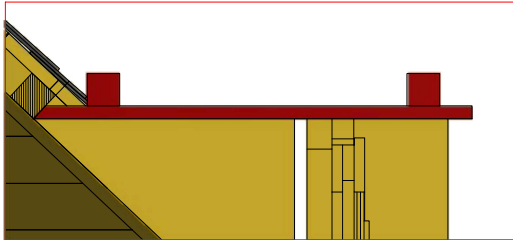
|  |  |  |  |
|--|--|--|--|
|  |  |  |  |
|  |  |  |  |



# Grill cabin 25 m<sup>2</sup>

## Screws

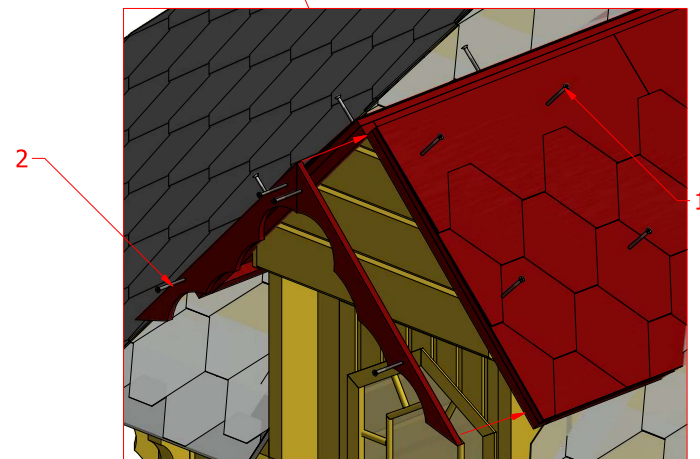
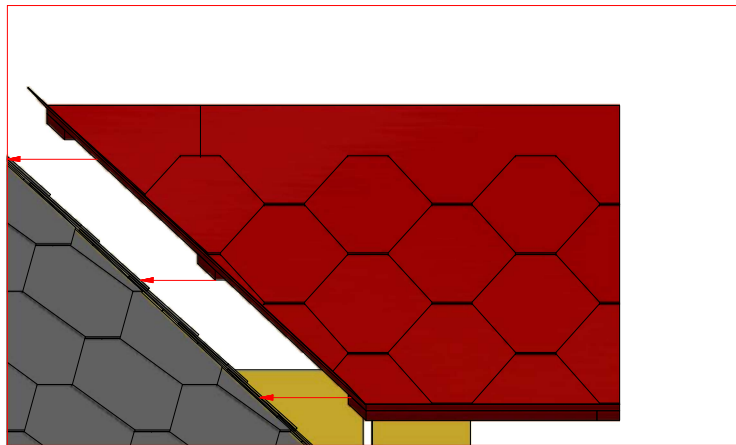
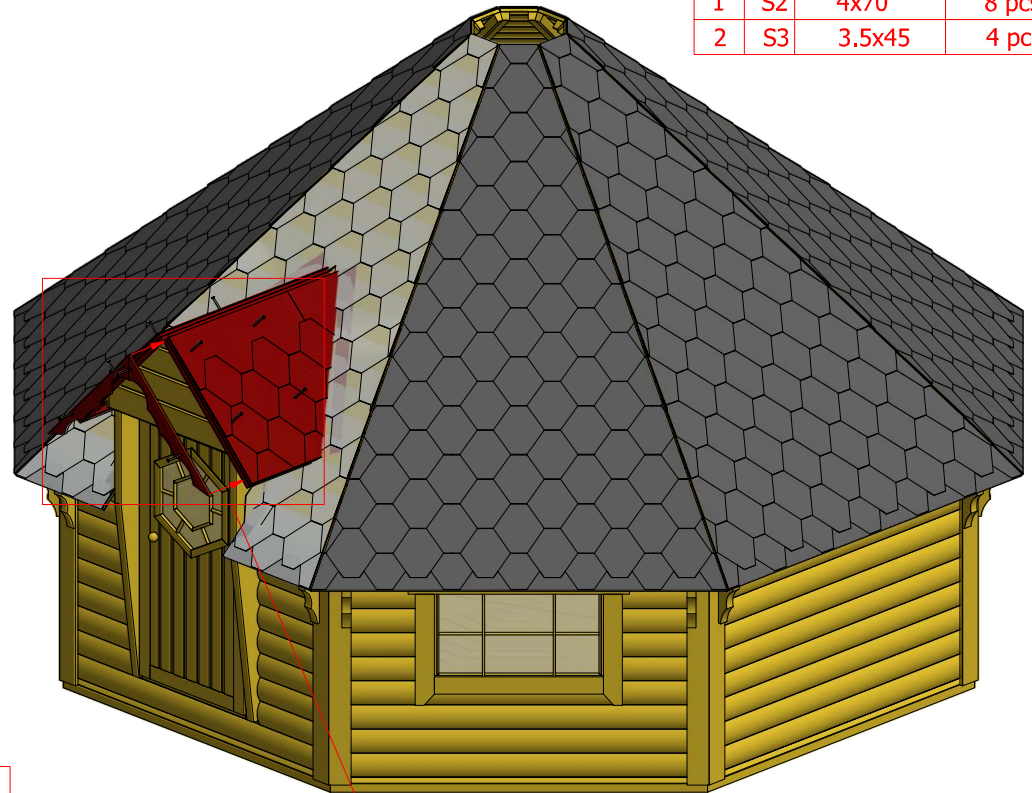
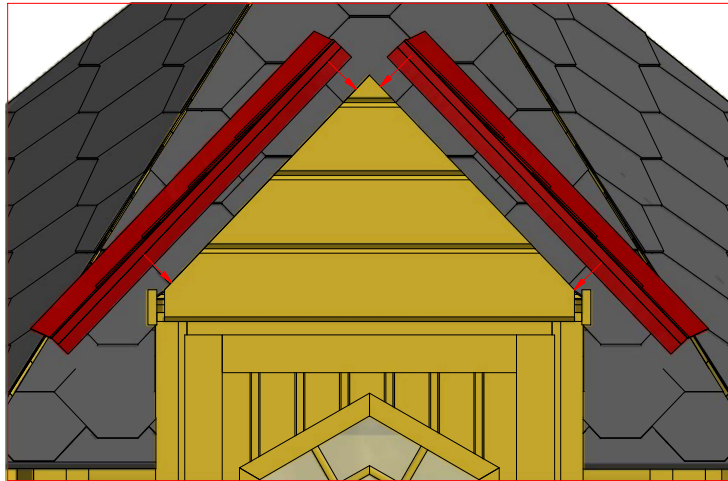
|   |    |      |        |
|---|----|------|--------|
| 1 | S2 | 4x70 | 16 pcs |
|   |    |      |        |



# Grill cabin 25 m<sup>2</sup>

## Screws

|   |    |        |       |
|---|----|--------|-------|
| 1 | S2 | 4x70   | 8 pcs |
| 2 | S3 | 3.5x45 | 4 pcs |

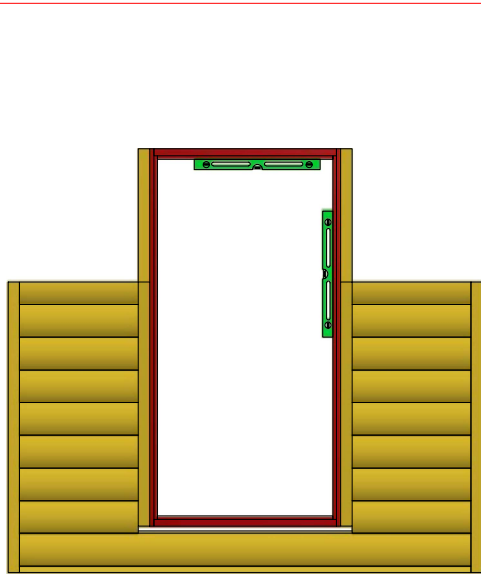


# Grill cabin 25 m<sup>2</sup>

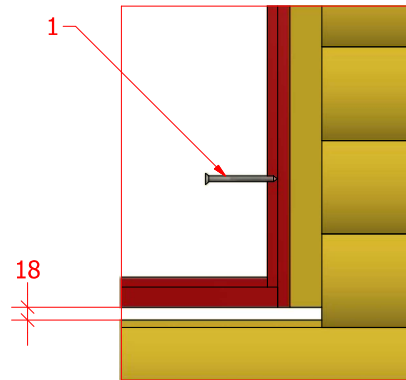
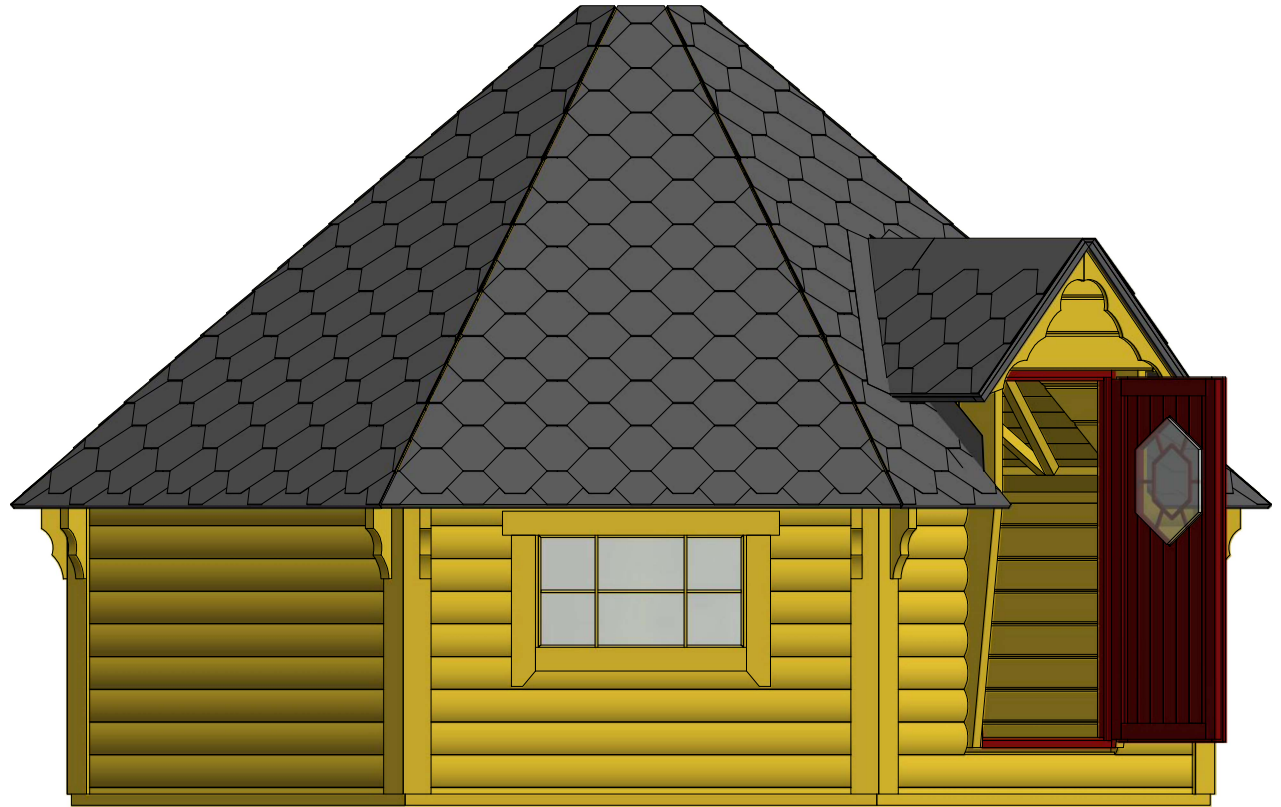
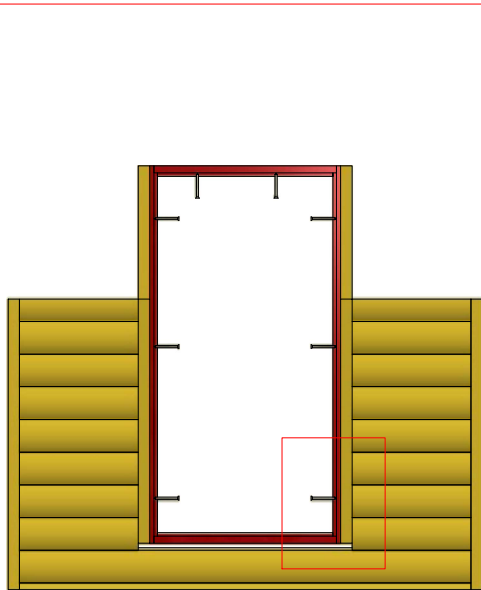
## Screws

|   |    |      |       |
|---|----|------|-------|
| 1 | S2 | 4x70 | 8 pcs |
|   |    |      |       |

1

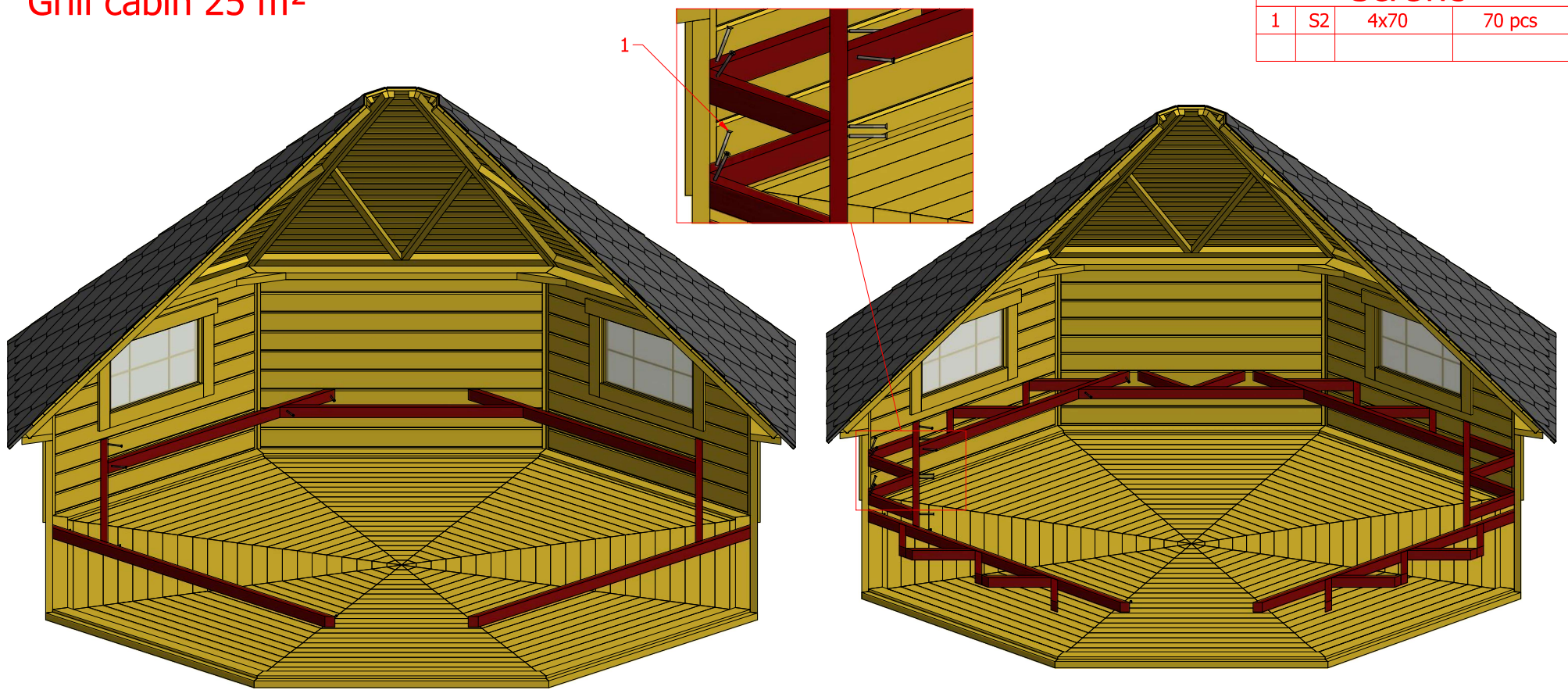


2



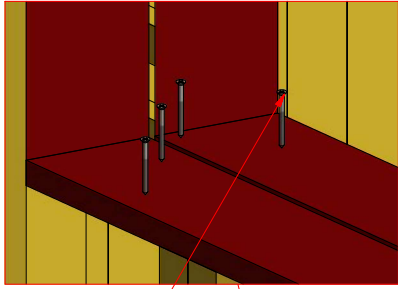
# Grill cabin 25 m<sup>2</sup>

| Screws |    |      |        |
|--------|----|------|--------|
| 1      | S2 | 4x70 | 70 pcs |
|        |    |      |        |

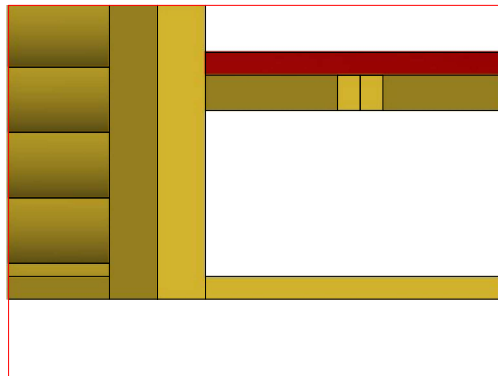
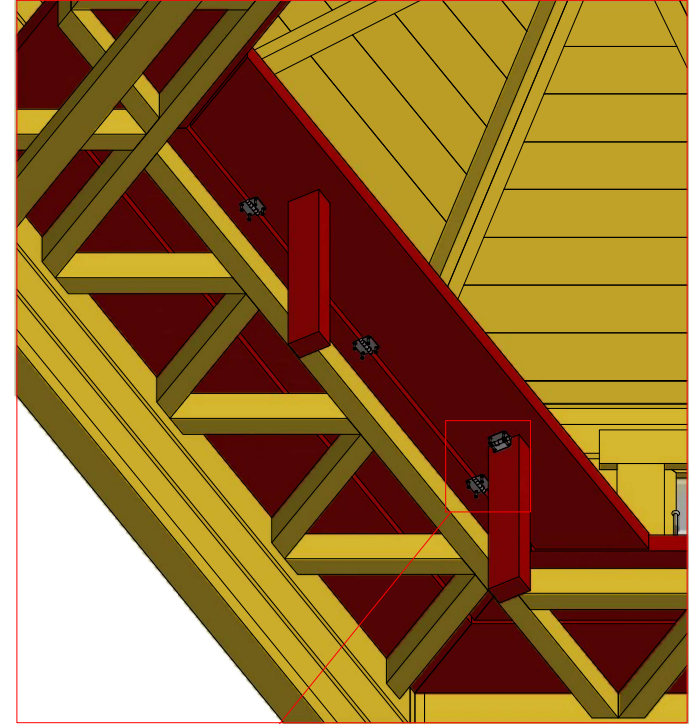
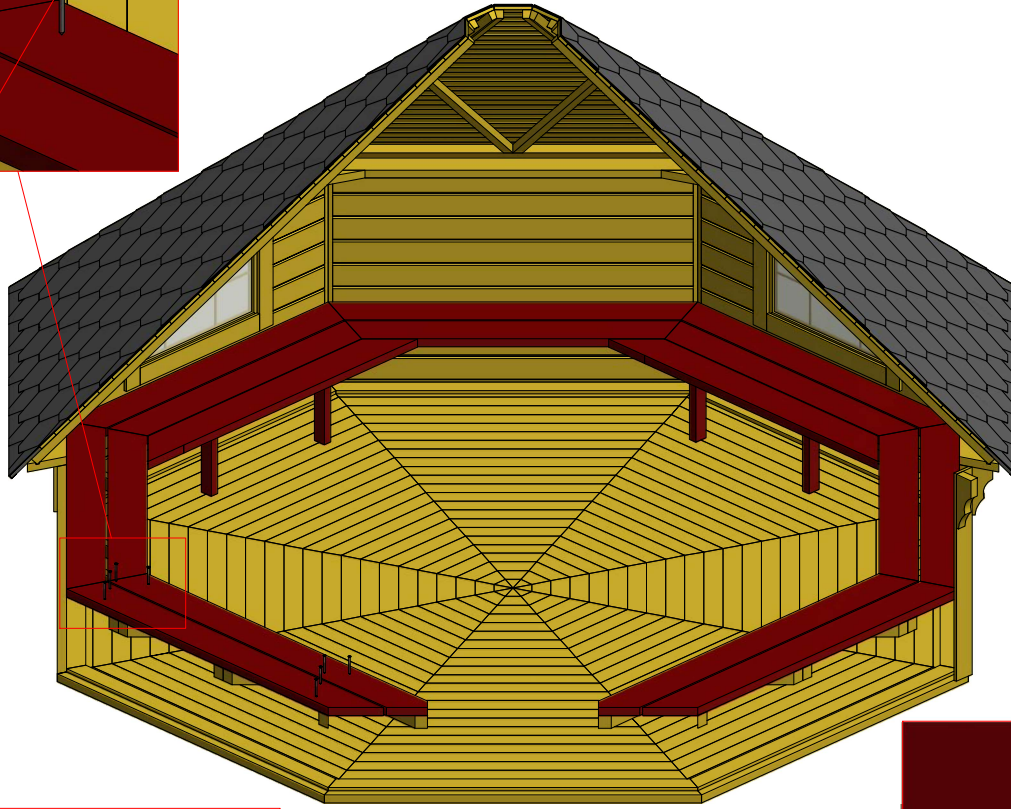


# Grill cabin 25 m<sup>2</sup>

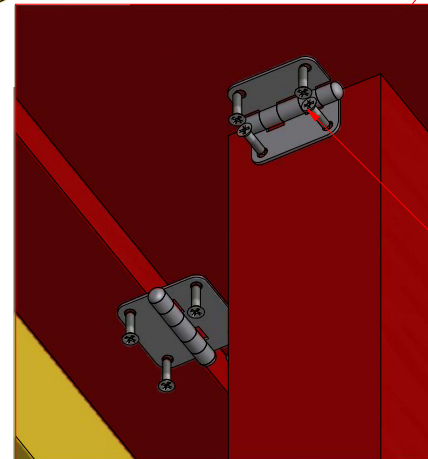
| Screws |    |      |        |
|--------|----|------|--------|
| 1      | S2 | 4x70 | 56 pcs |
| 2      | S4 | 3x30 | 40 pcs |



1



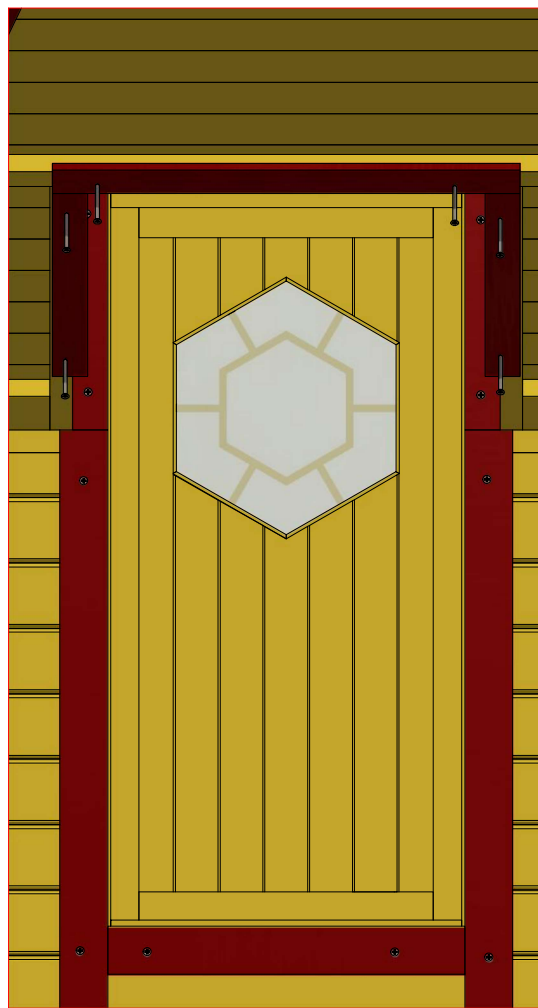
~378



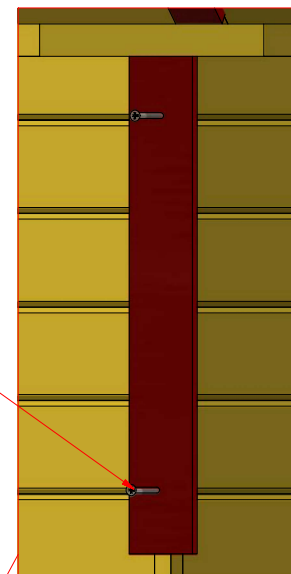
2

# Grill cabin 25 m<sup>2</sup>

| Screws |    |        |        |
|--------|----|--------|--------|
| 1      | S3 | 3.5x45 | 56 pcs |



1



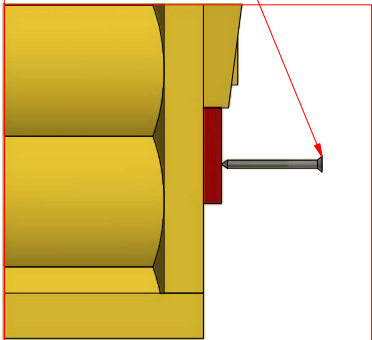
# Grill cabin 25 m<sup>2</sup>

## Screws

|   |    |        |       |
|---|----|--------|-------|
| 1 | S3 | 3.5x45 | 8 pcs |
|   |    |        |       |



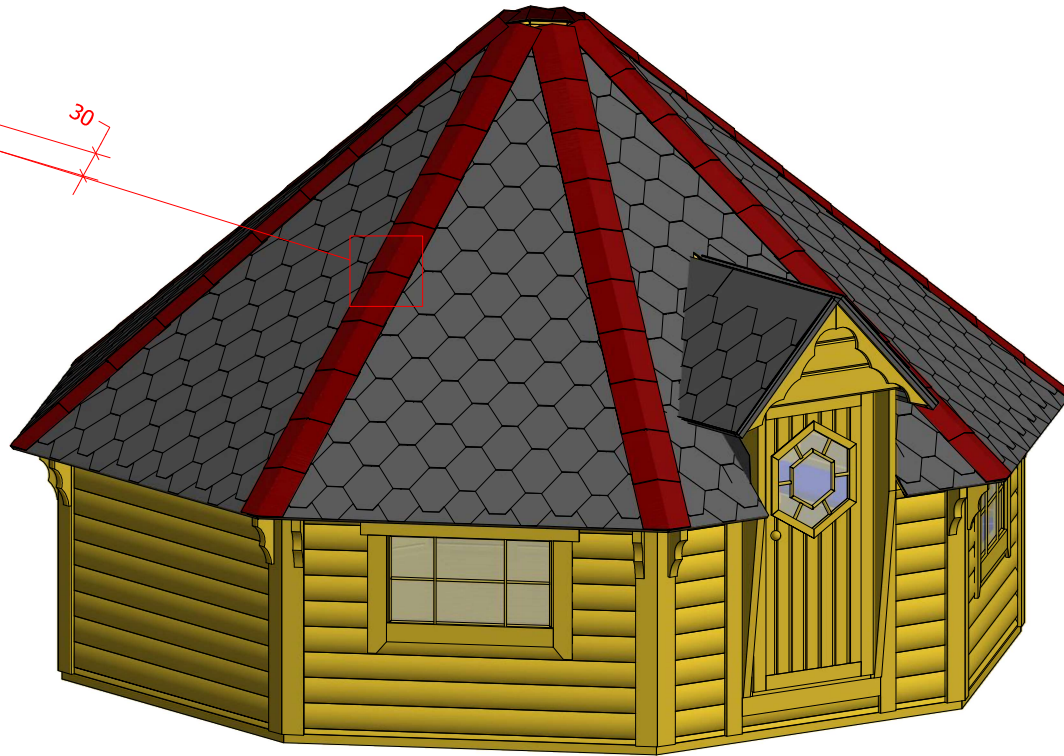
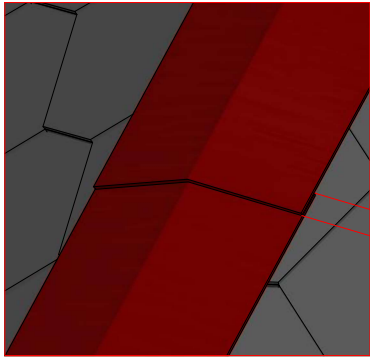
1



# Grill cabin 25 m<sup>2</sup>

## Screws

|   |    |        |  |
|---|----|--------|--|
| 1 | V1 | 2.5x25 |  |
|   |    |        |  |



# Grill cabin 25 m<sup>2</sup>

## Screws

|   |    |        |       |
|---|----|--------|-------|
| 1 | S2 | 4x70   | 4 pcs |
| 2 | V1 | 2.5x25 |       |

