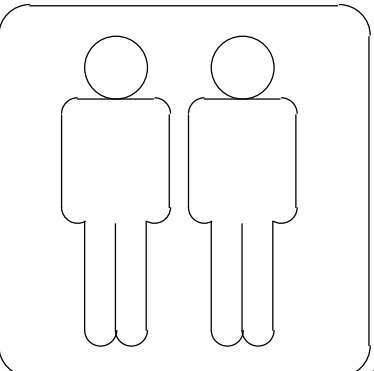
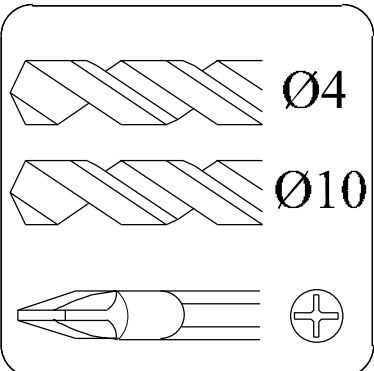
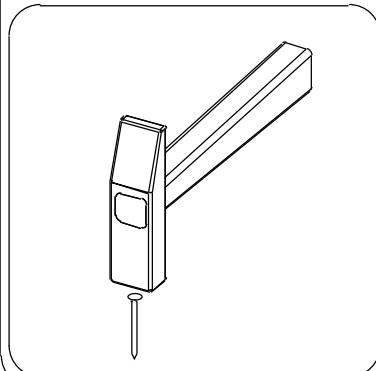
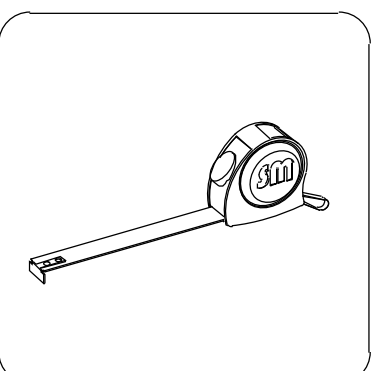
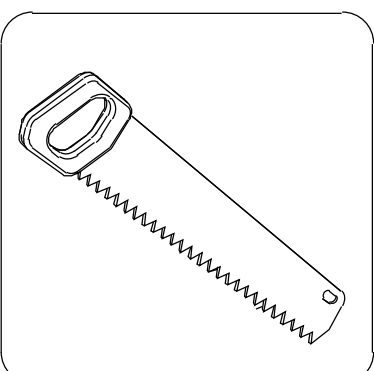
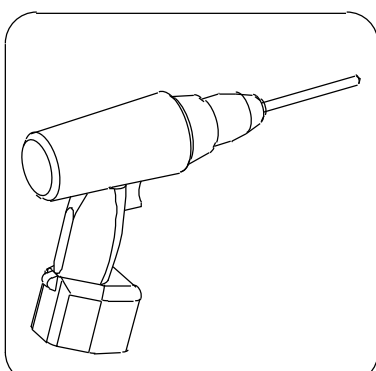
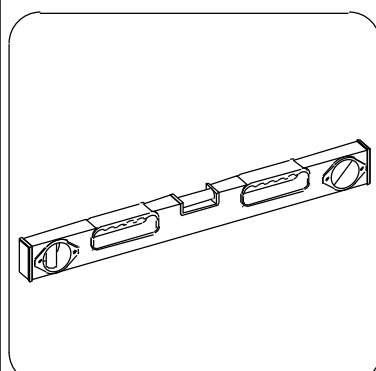
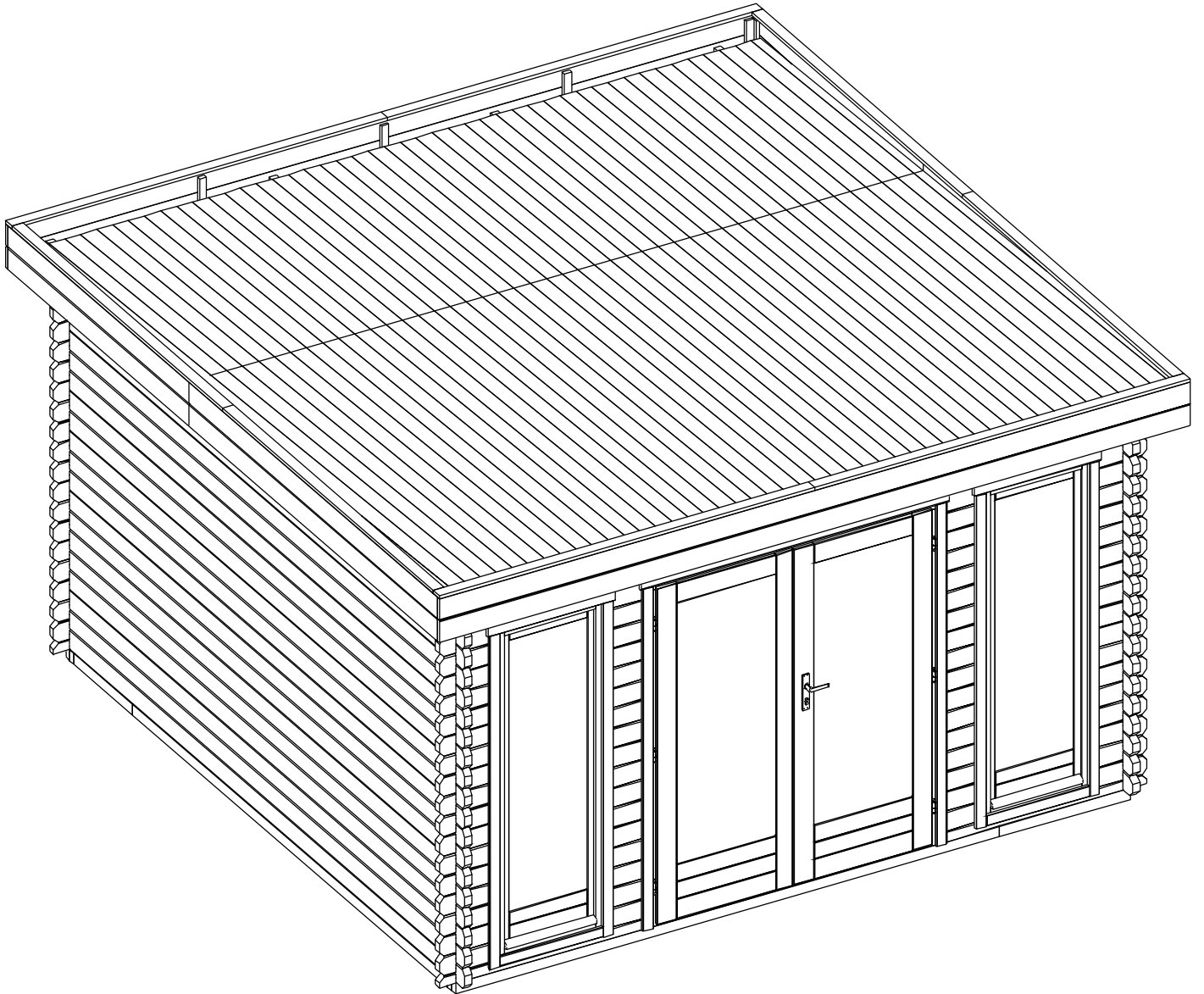


→ || ← 40mm

3,9 x 3,9

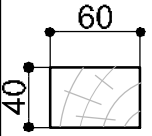
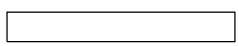
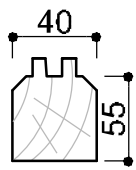
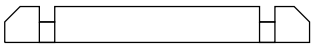
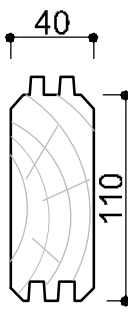

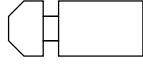


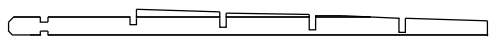
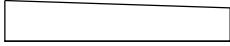
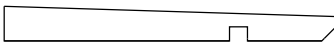
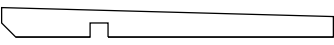
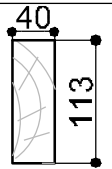

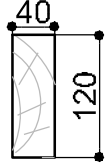

40204



→||←40mm

SPECIFICATION 3,9 x 3,9

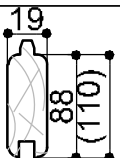
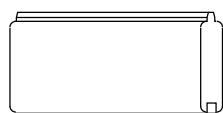
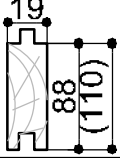
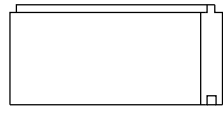
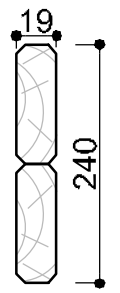
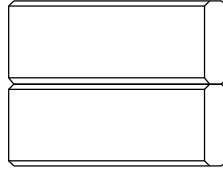
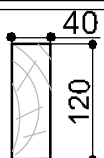
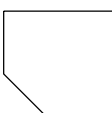
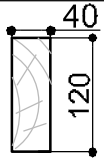

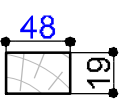

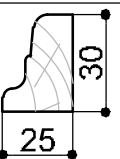
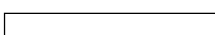
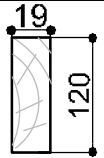

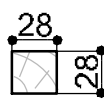
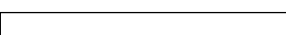
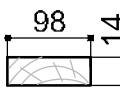

40204

| Dim. | Skizze | Pos. | Länge (mm) | Stck. | Name | Ref. |
|---|---|------|------------|---|---|--------|
|  |  | ① | 3000 | 15 | Fundamentbalken Lambourdes Foundation beam | 283039 |
| | | ② | 720 | 4 | | 283081 |
| | | ③ | 560 | 11 | | 283083 |
| | | ④ | 400 | 7 | | 283084 |
|  |  | ⑤ | 3900 | 1 | Zurück Brett Madrier arrière Back board | 400013 |
| | | ⑥ | 1143 | 2 | Front Brett Madrier avant Front board | 400010 |
|  |  | ⑦ | 3900 | 56+1 | Front/Zurück Brett Madrier avant/arrière Front/Back board | 400014 |
| |  | ⑧ | 285 | 34 | Front/Seiten Brett Madrier latéral/arrière Front/Side board | 400039 |
| |  | ⑨ | 220 | 34 | Front Brett Madrier avant Front board | 400256 |
| |  | ⑩ | 4000 | 2 | Seiten Brett Madrier latéral Side board | 400258 |
|  | ⑬ | 2720 | 2 | Seiten Brett Madrier latéral Side board | 402033 | |
|  | ⑭ | 486 | 2 | Seiten Brett Madrier latéral Side board | 402034 | |
|  | ⑮ | 486 | 2 | Seiten Brett Madrier latéral Side board | 402035 | |
|  | ⑯ | 716 | 2 | Seiten Brett Madrier latéral Side board | 402036 | |
|  |  | ⑮ | 4100 | 2 | Zurück Brett Madrier arrière Back board | 401039 |
|  |  | ⑯ | 4100 | 6 | Sparren Panne faîtière Rafters | 404052 |

→||←40mm

SPECIFICATION 3,9 x 3,9

40204

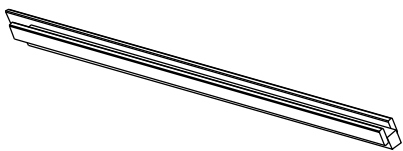
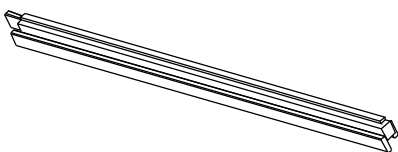
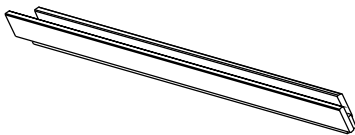
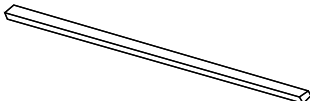
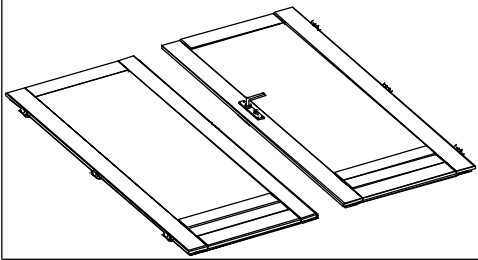
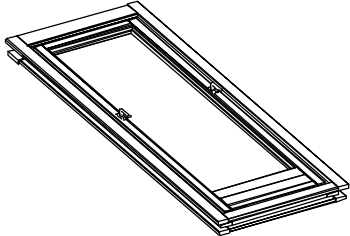
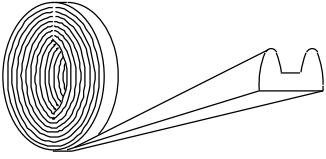
| Dim. | Skizze | Pos. | Länge (mm) | Stck. | Name | Ref. |
|---|---|------|------------|--------|---|--------|
|  |  | ①7a | 1735 | 47(38) | Dach Bretter Madrier de toit Roof board | 284535 |
| | | ①7b | 2315 | 47(38) | | 284536 |
|  |  | ①8 | 3630 | 42(34) | Boden Bretter Plancher bois Floor board | 283514 |
|  |  | ①9a | 2050 | 1 | Wind Brett Planche de rive Wind board | 285075 |
| | | ①9b | 2050 | 1 | | 285076 |
| | | ①9c | 2050 | 1 | | 285077 |
| | | ①9d | 2050 | 1 | | 285078 |
| | | ②0a | 2069 | 2 | | 285079 |
| | | ②0b | 2069 | 2 | | 285080 |
|  |  | ②1 | 190 | 2 | | 287129 |
|  |  | ②2 | 190 | 2 | | 287130 |
|  |  | ②3 | 2069 | 4 | Wind Brett Planche de rive Wind board | 286529 |
| | | ②4 | 2021 | 4 | | 286514 |
|  |  | ②5 | 3640 | 3 | | 283274 |
| | | ②6 | 980 | 2 | | 283278 |
|  |  | ②2 | 200 | 4 | | 287138 |
|  |  | ②7 | 1830 | 2 | Wind Brett | 286060 |
|  |  | ②8 | 1830 | 2 | Wind Brett | 286059 |

→||←40mm

SPECIFICATION

3,9 x 3,9



40204

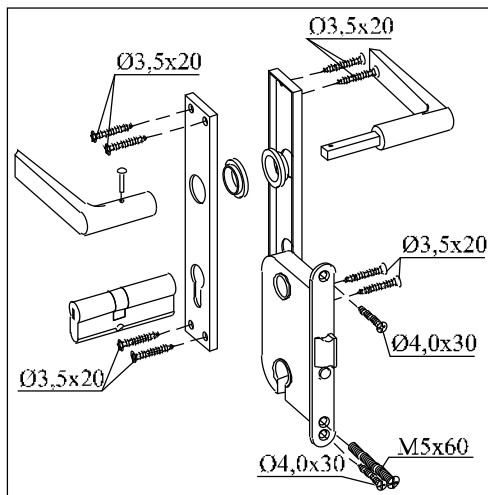
| | | | | | |
|---|-----|--------------|---|---|-----------|
|  | TR1 | 1973 | 1 | Türrahmen links Cadre de porte gauche Door frame left | 409224 |
|  | TR2 | 1973 | 1 | Türrahmen rechts Cadre de porte droite Door frame right | 409225 |
|  | TR3 | 1700 | 1 | Über Türrahmen Montant supérieur Door frame top | 409226 |
|  | TR4 | 1500 | 1 | Türstufe Latte de finition bas Door frame bottom | 409227 |
|  | T1 | 1850x 765 | 1 | Tür Porte Doors | 289020 T1 |
| | T2 | 1850x 765 | 1 | | 289020 T2 |
|  | F1 | 1955x 700 | 2 | Fenster Fenêtre Window | 409111 |
|  | | 16,2m | 1 | Dichtgummi étanchéité en caoutchouc sealing rubber | |

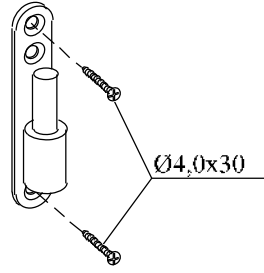
→||←40mm

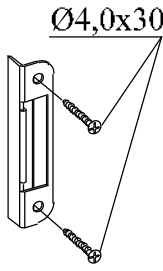
SPECIFICATION 3,9 x 3,9

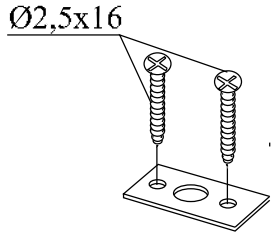
40204

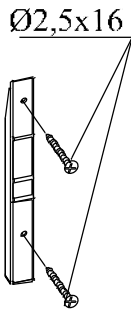
| | Pos. | Dim | Stck. |
|--|----------|------------|-------|
|  | A | Ø4.5 x 100 | 12 |
| | B | Ø3.5 x 50 | 70 |
| | C | Ø3.5 x 40 | 120 |
| | D | Ø5.0 x 120 | 18 |
|  | C | Ø2.0 x 40 | 430 |
| | D | Ø2.0 x 50 | 380 |

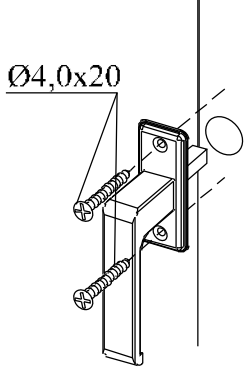


| Skizze | Stck. |
|---|-------|
|  | 6 |

| Skizze | Stck. |
|--|-------|
|  | 1 |

| Skizze | Stck. |
|--|-------|
|  | 2 |

| Skizze | Stck. |
|---|-------|
|  | 2 |

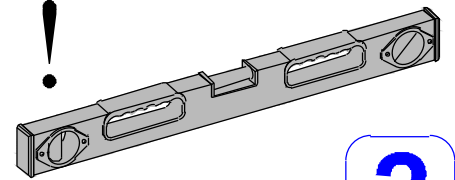
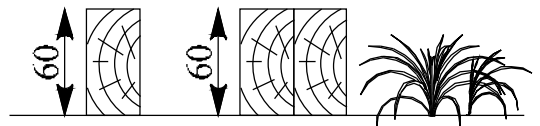
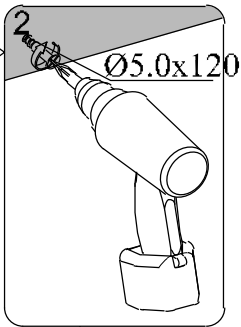
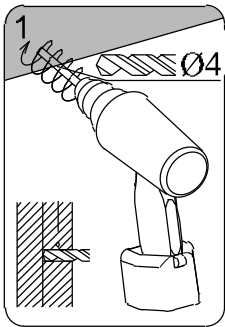
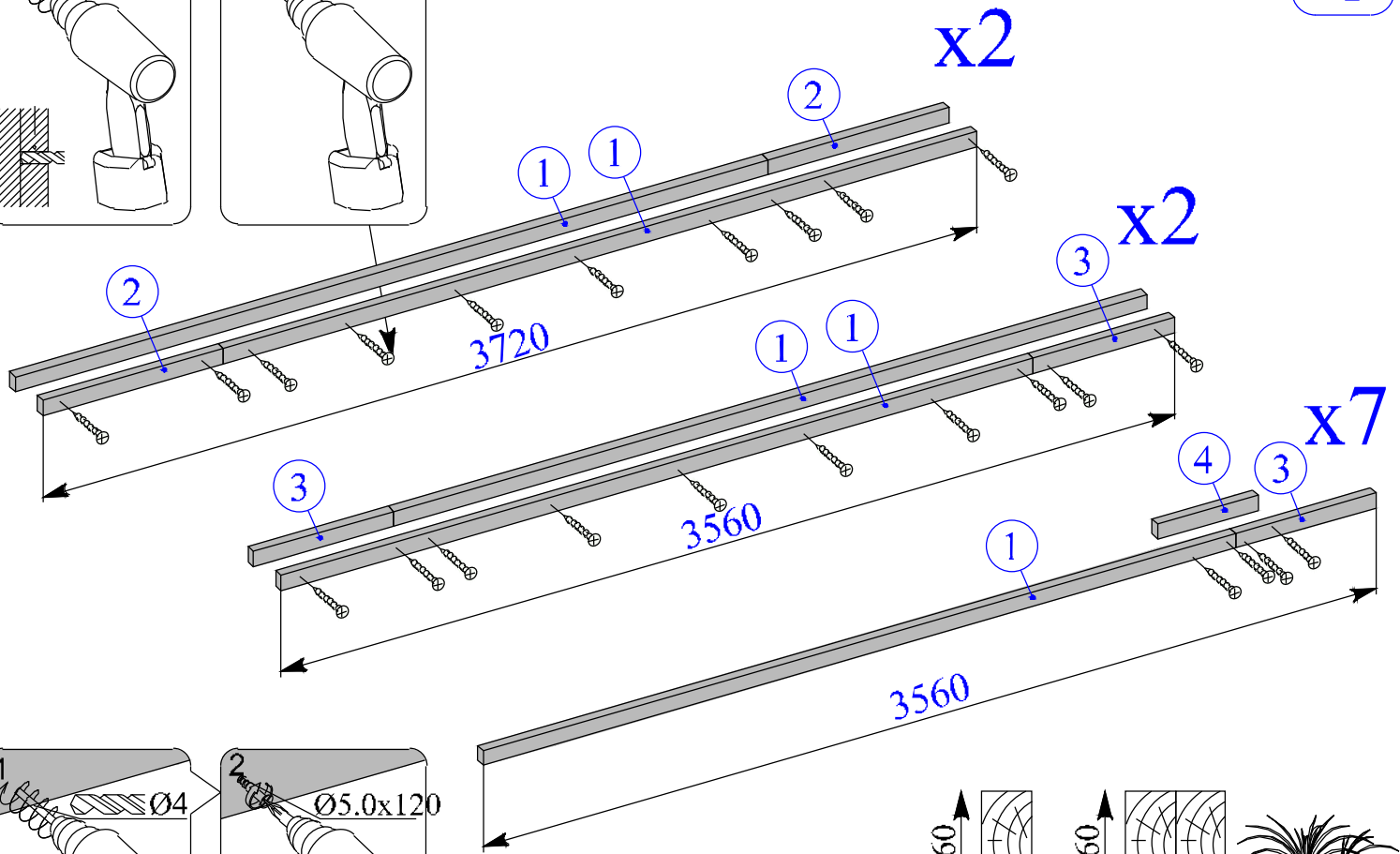
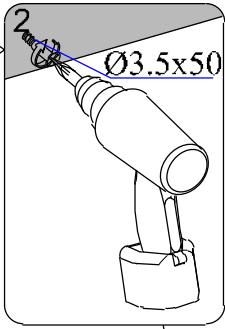
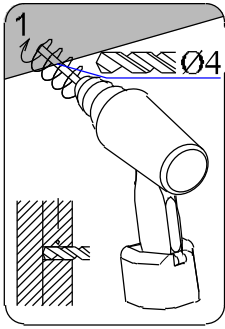
| Skizze | Stck. |
|---|-------|
|  | 4 |

→||←40mm

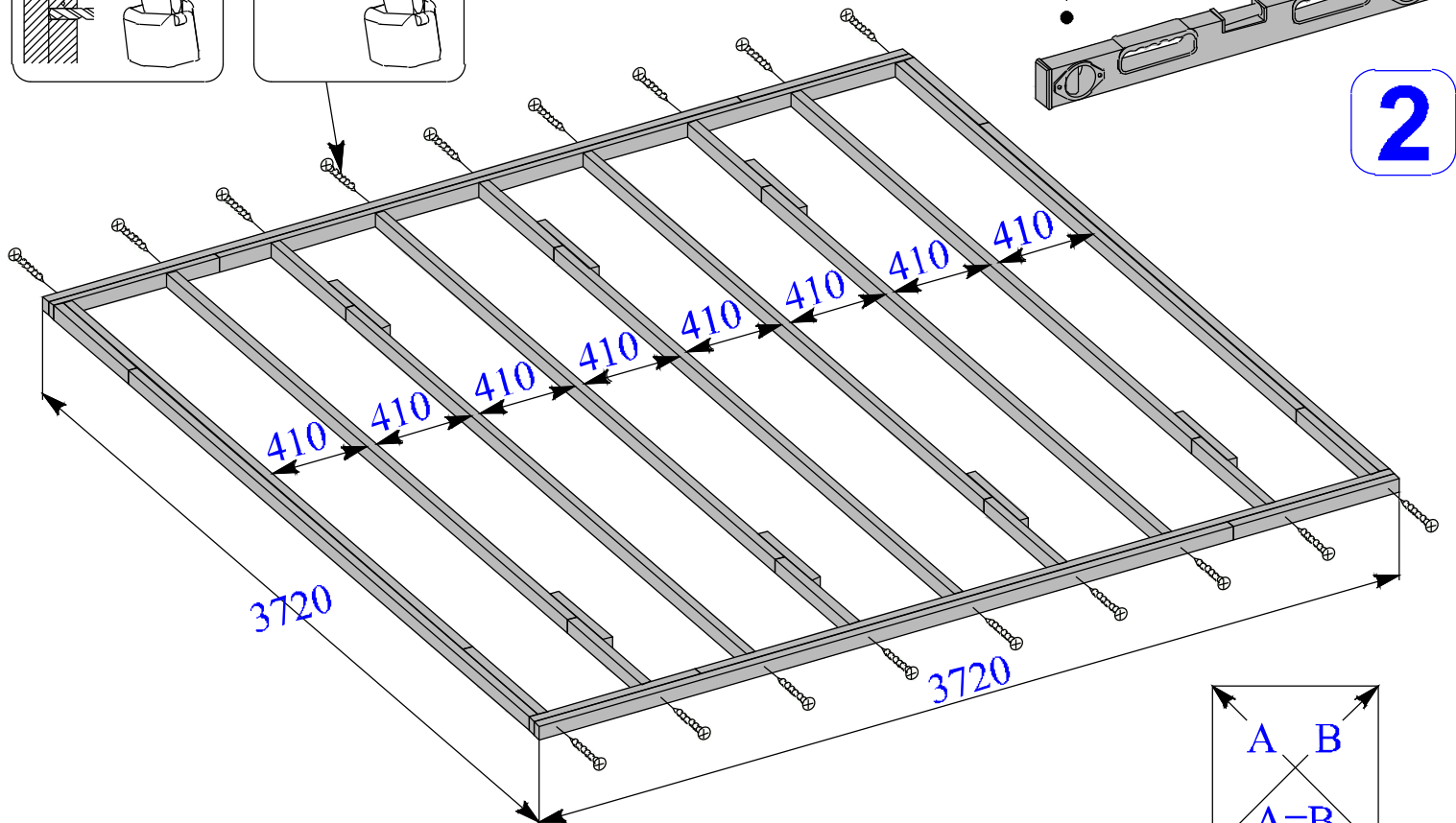
3,9 x 3,9

40204

1



2



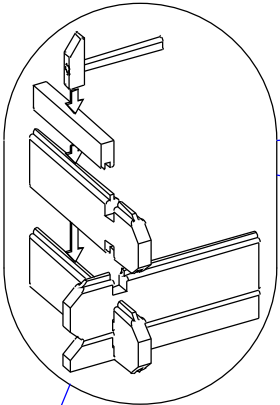
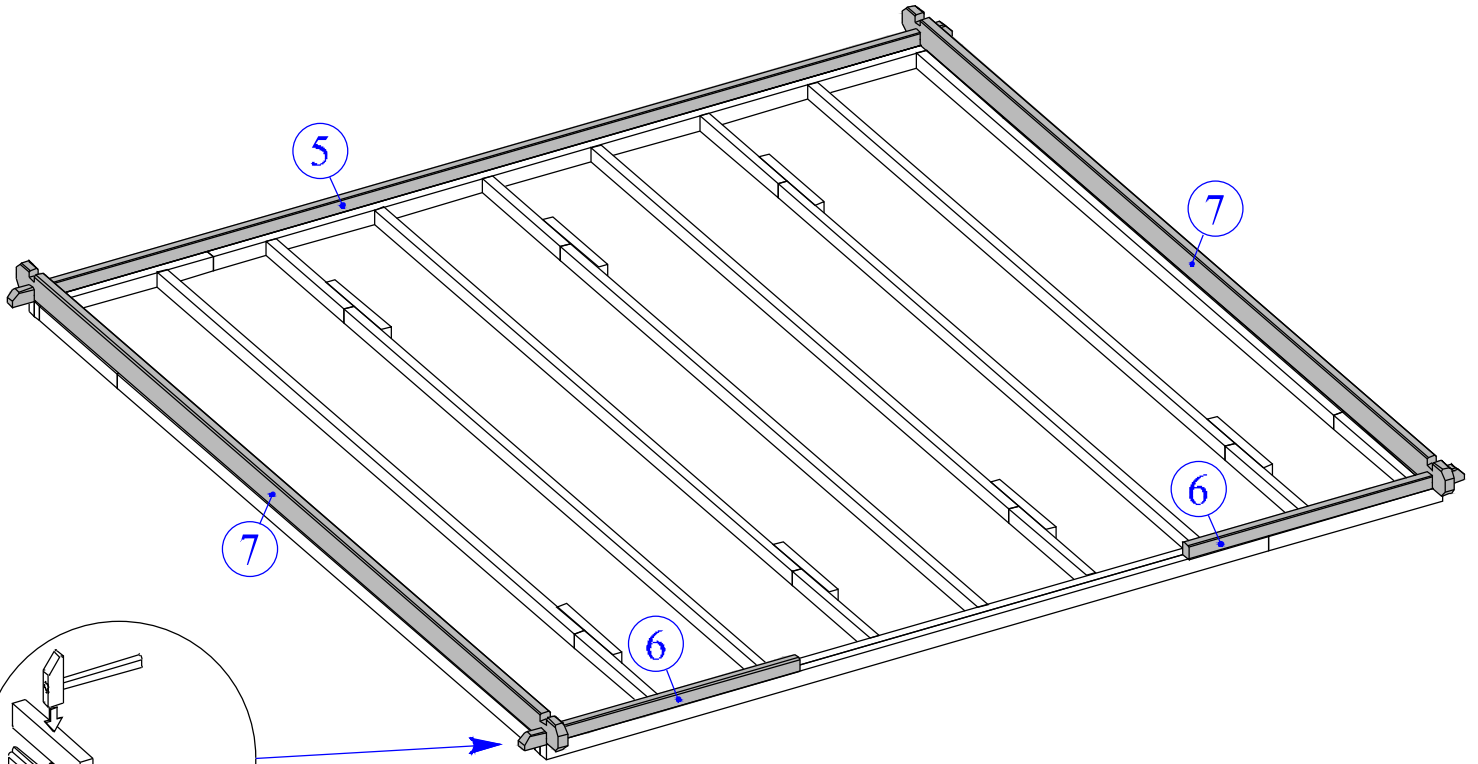
A B
A=B
A=B=5261mm

→||←40mm

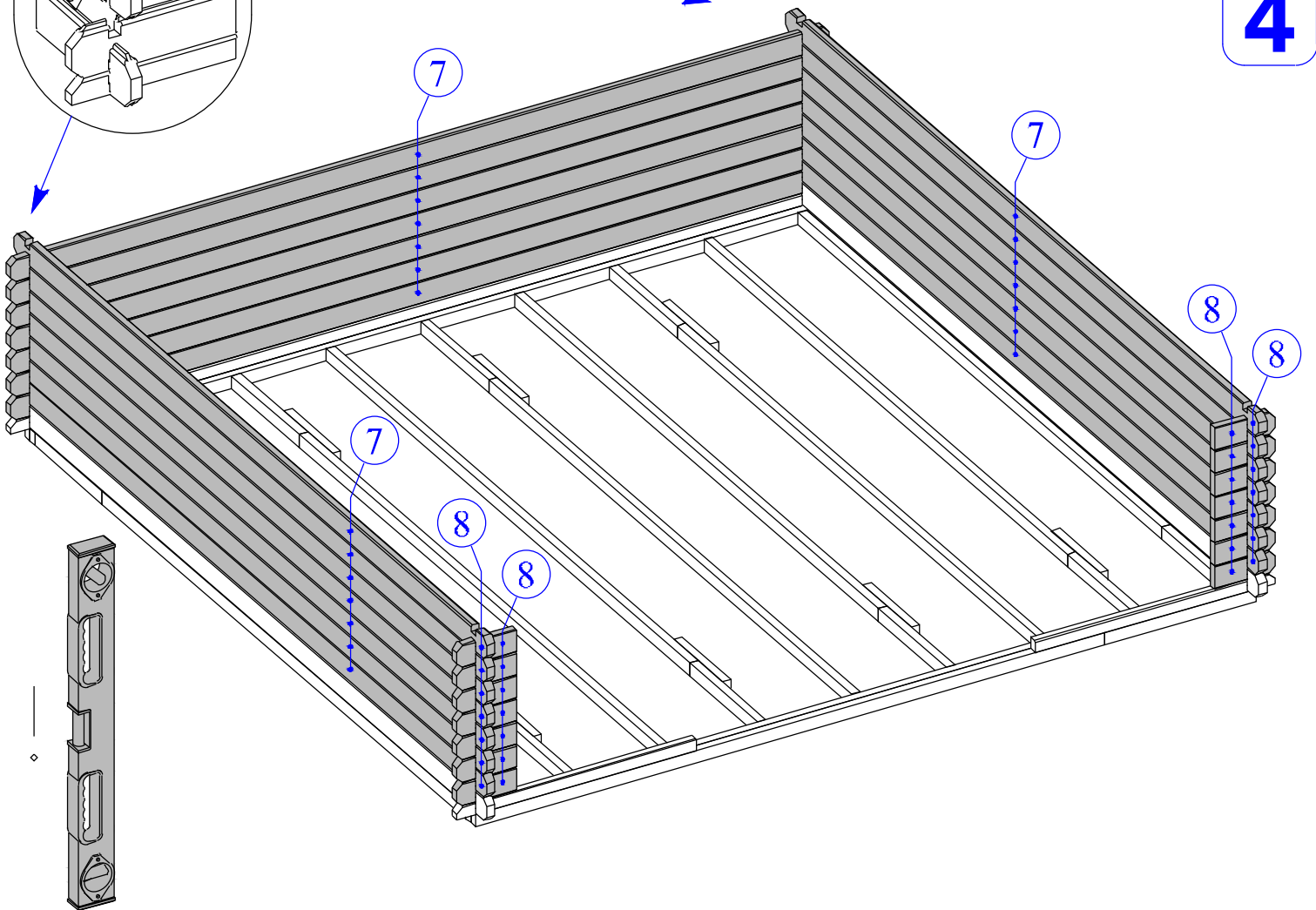
3,9 x 3,9

40204

3



4

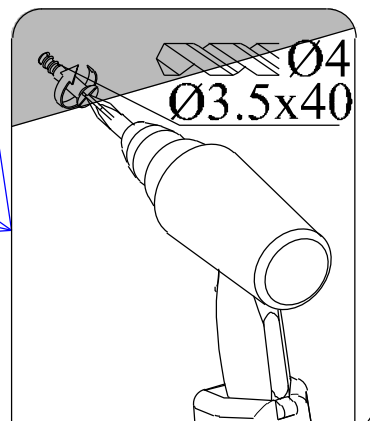
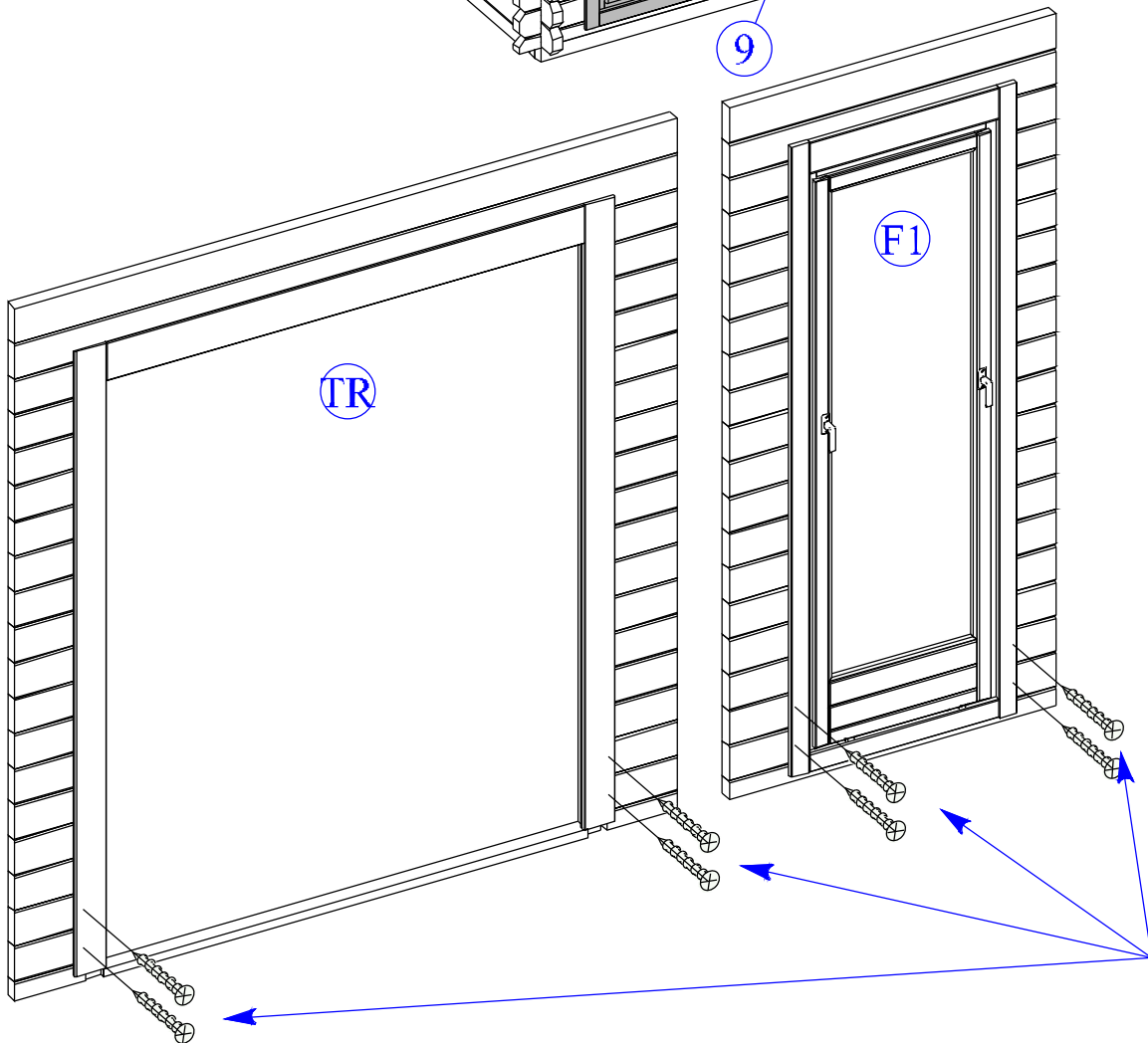
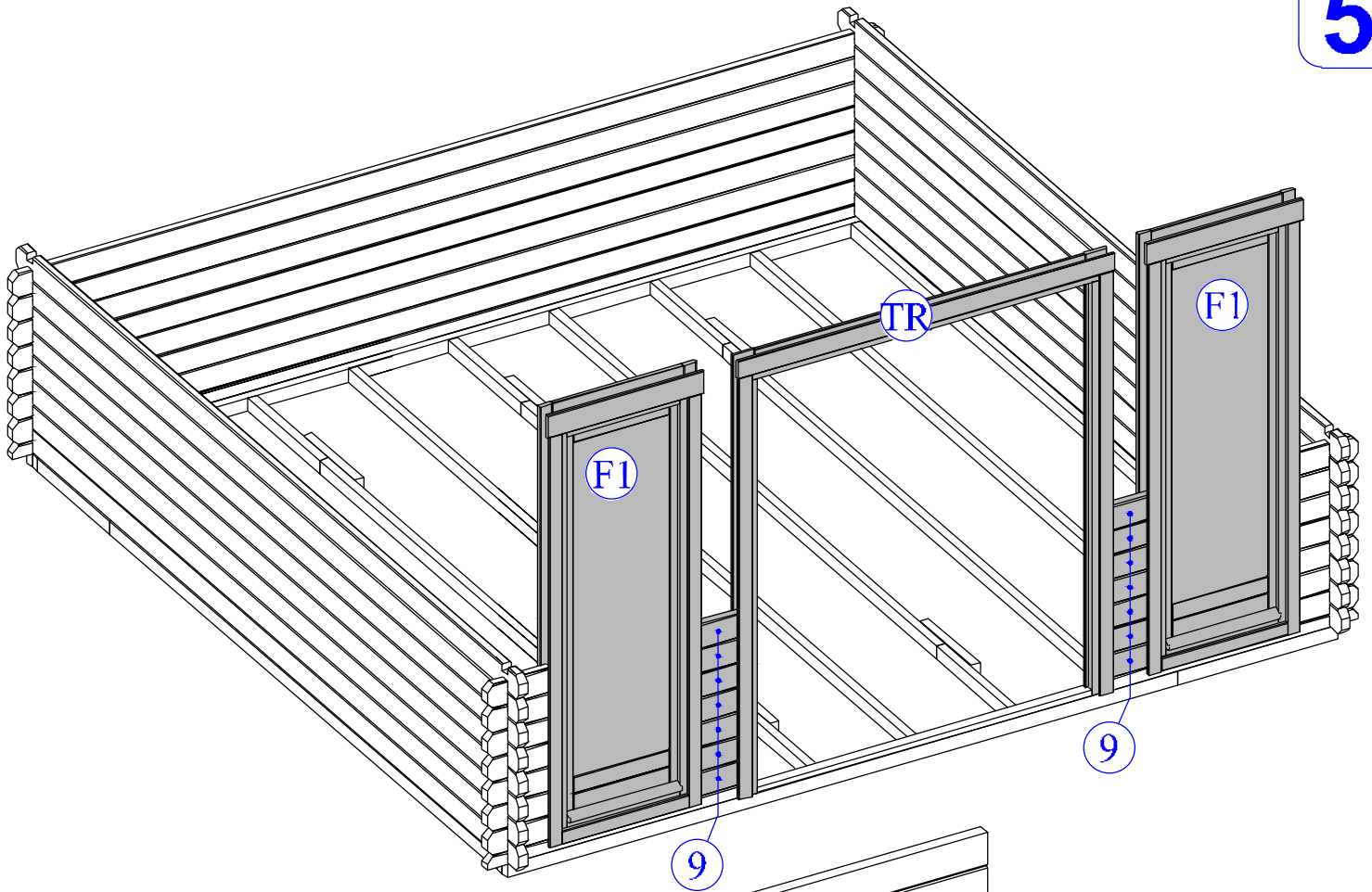


→||←40mm

3,9 x 3,9

40204

5

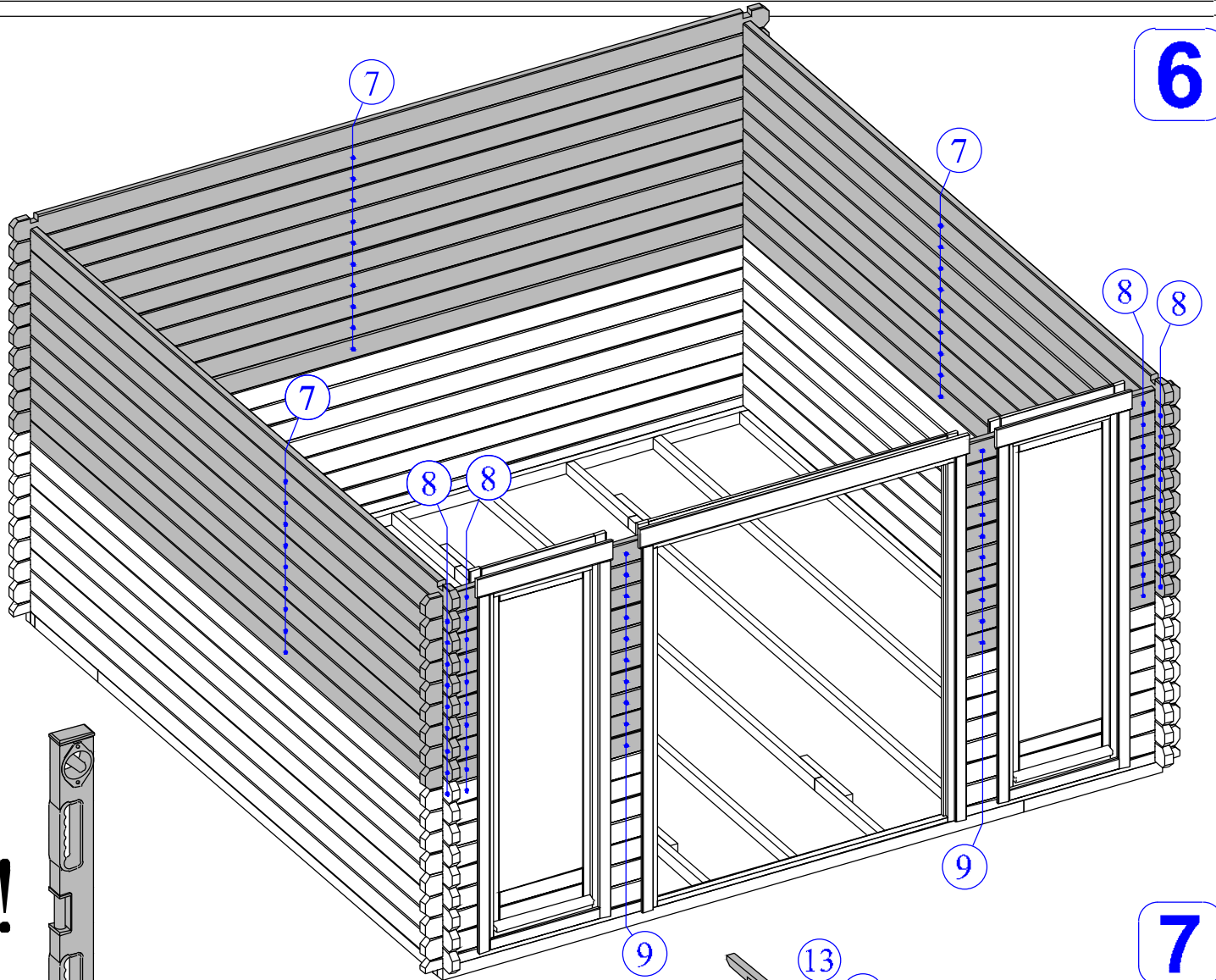


→||←40mm

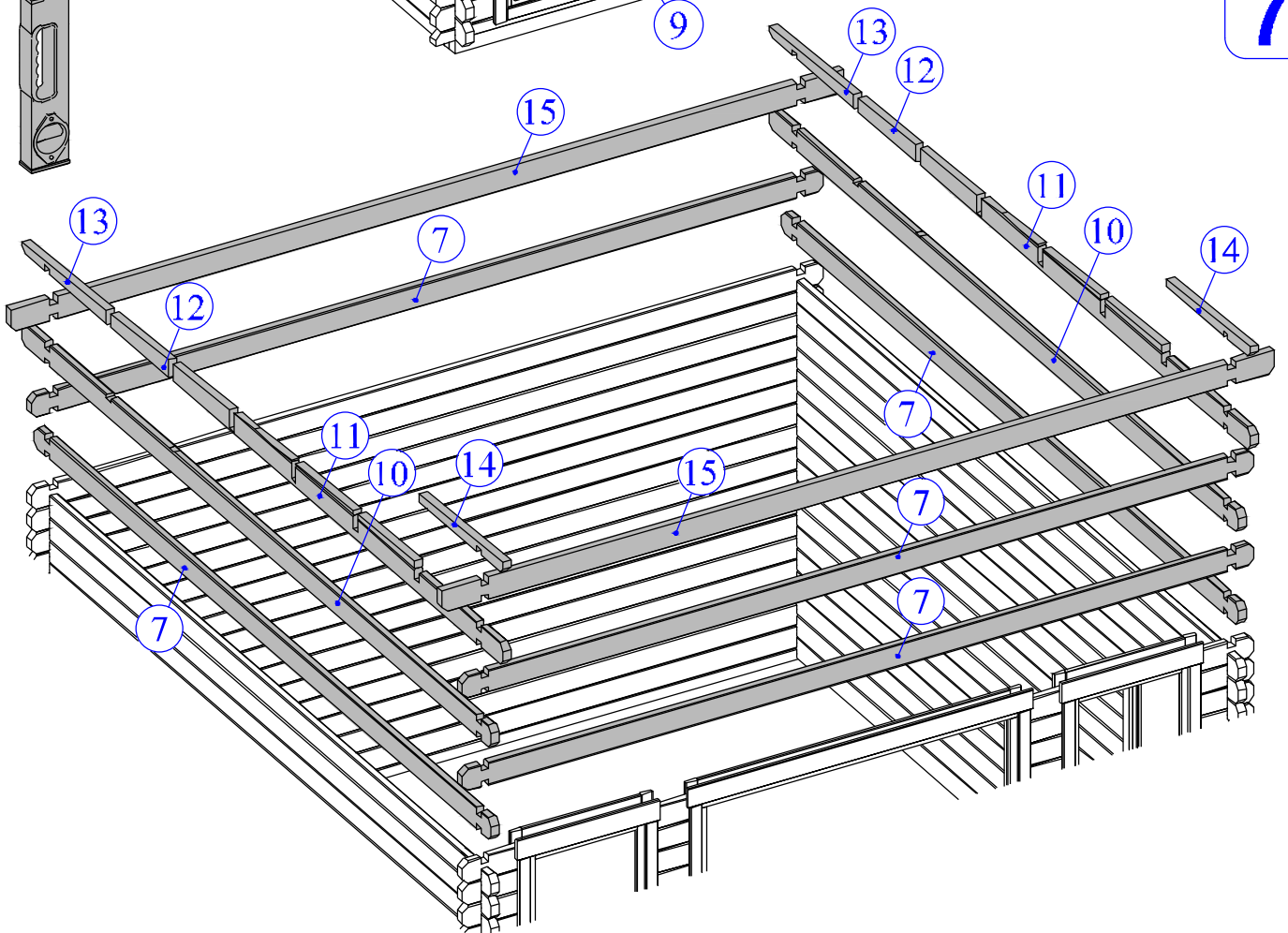
3,9 x 3,9

40204

6



7



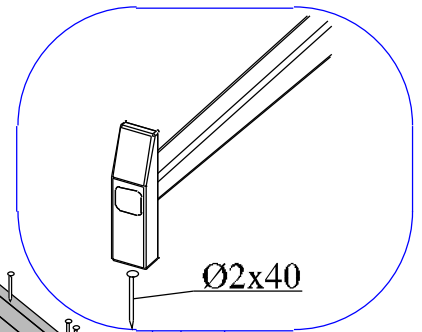
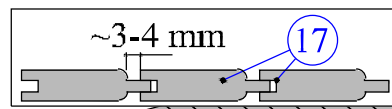
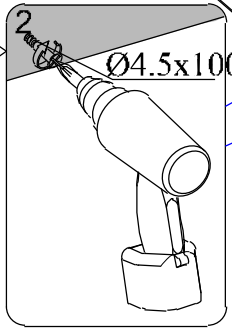
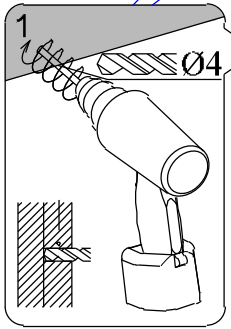
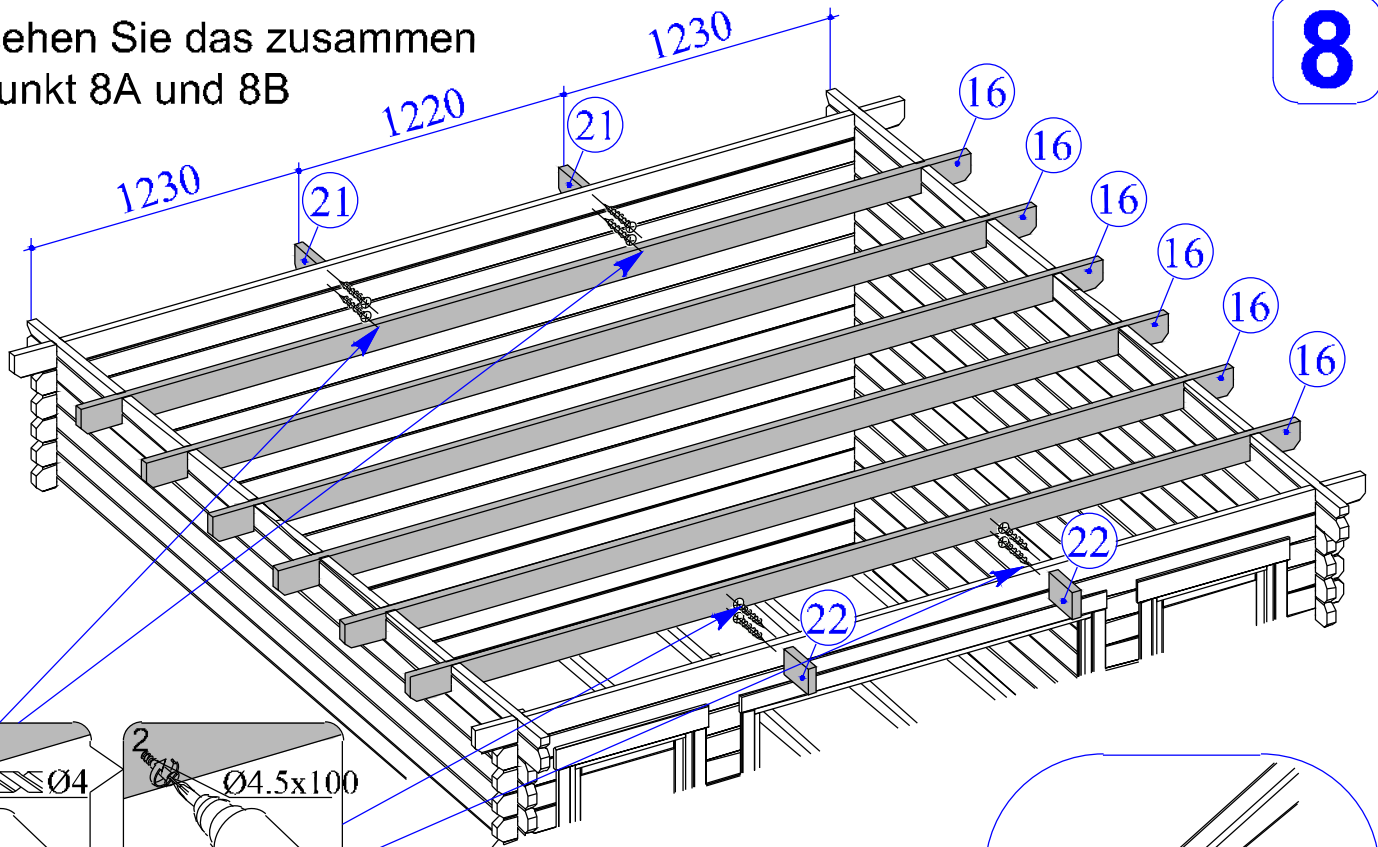
→||←40mm

3,9 x 3,9

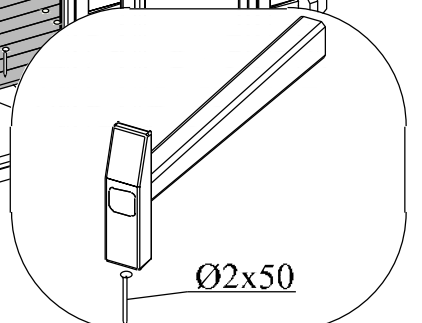
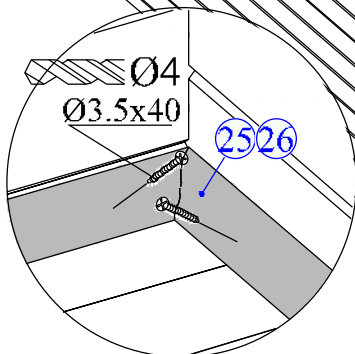
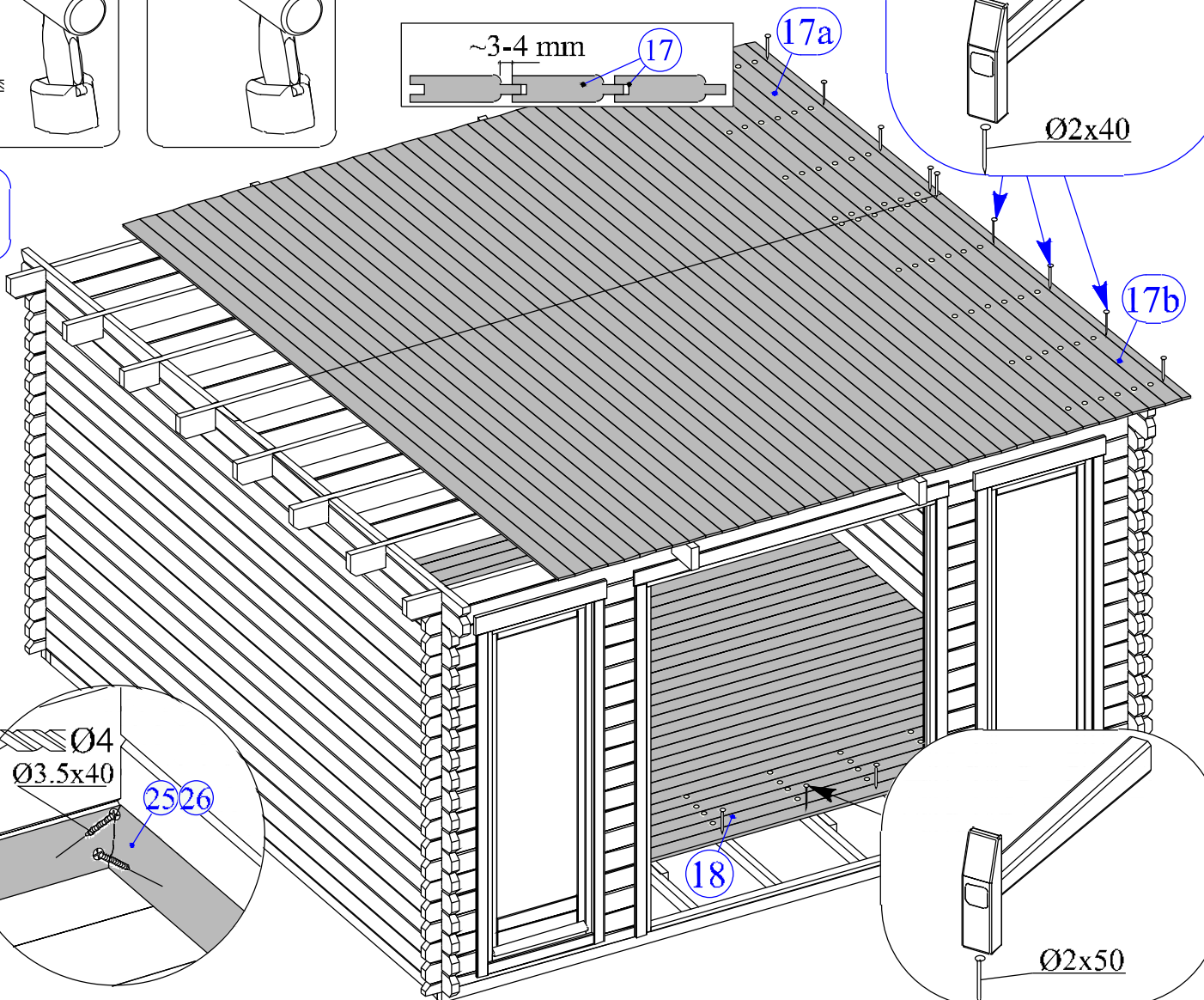
40204

Bitte sehen Sie das zusammen
mit Punkt 8A und 8B

8



9

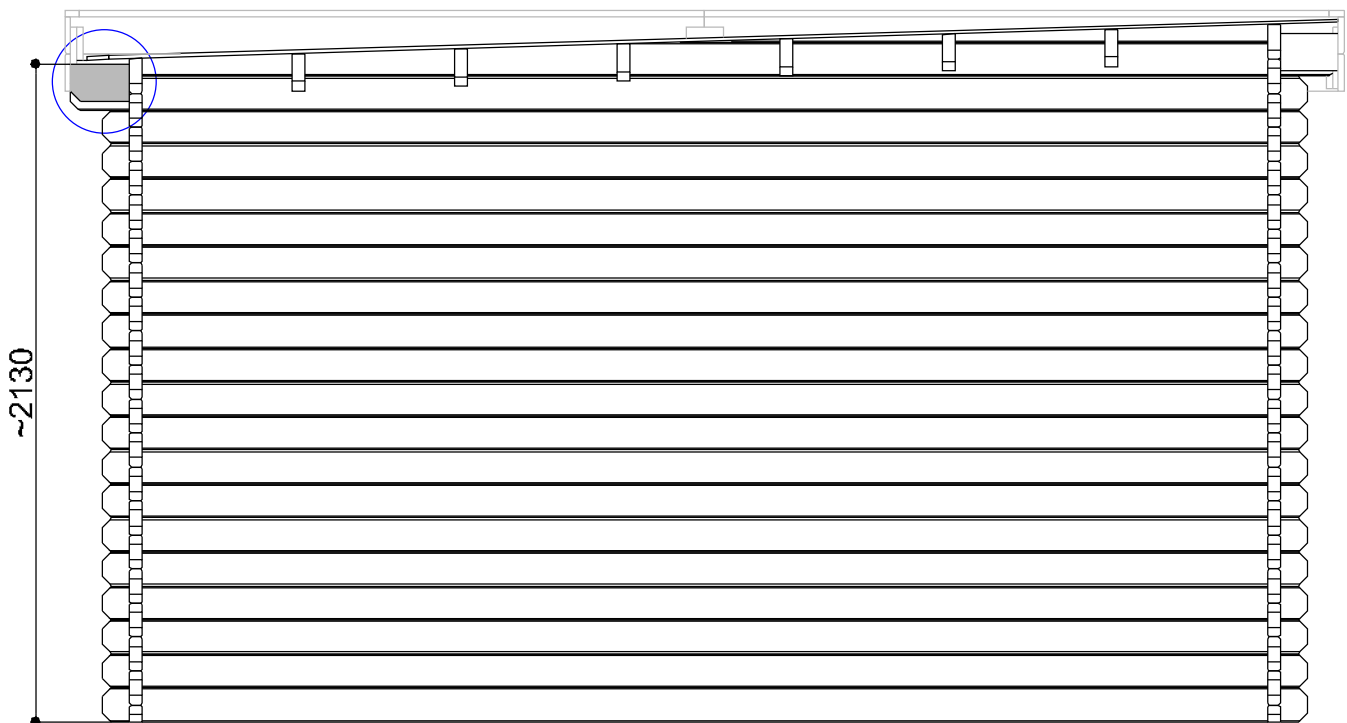
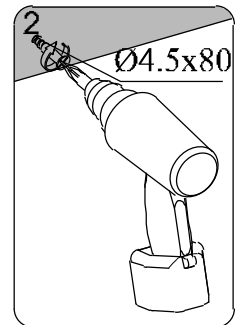
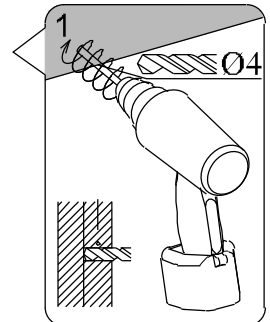
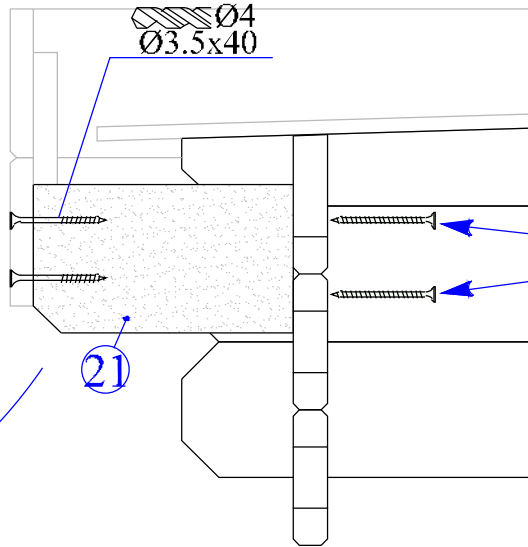
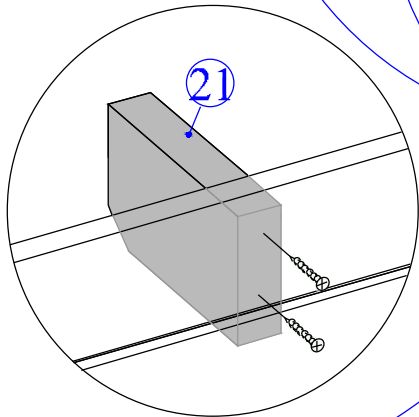
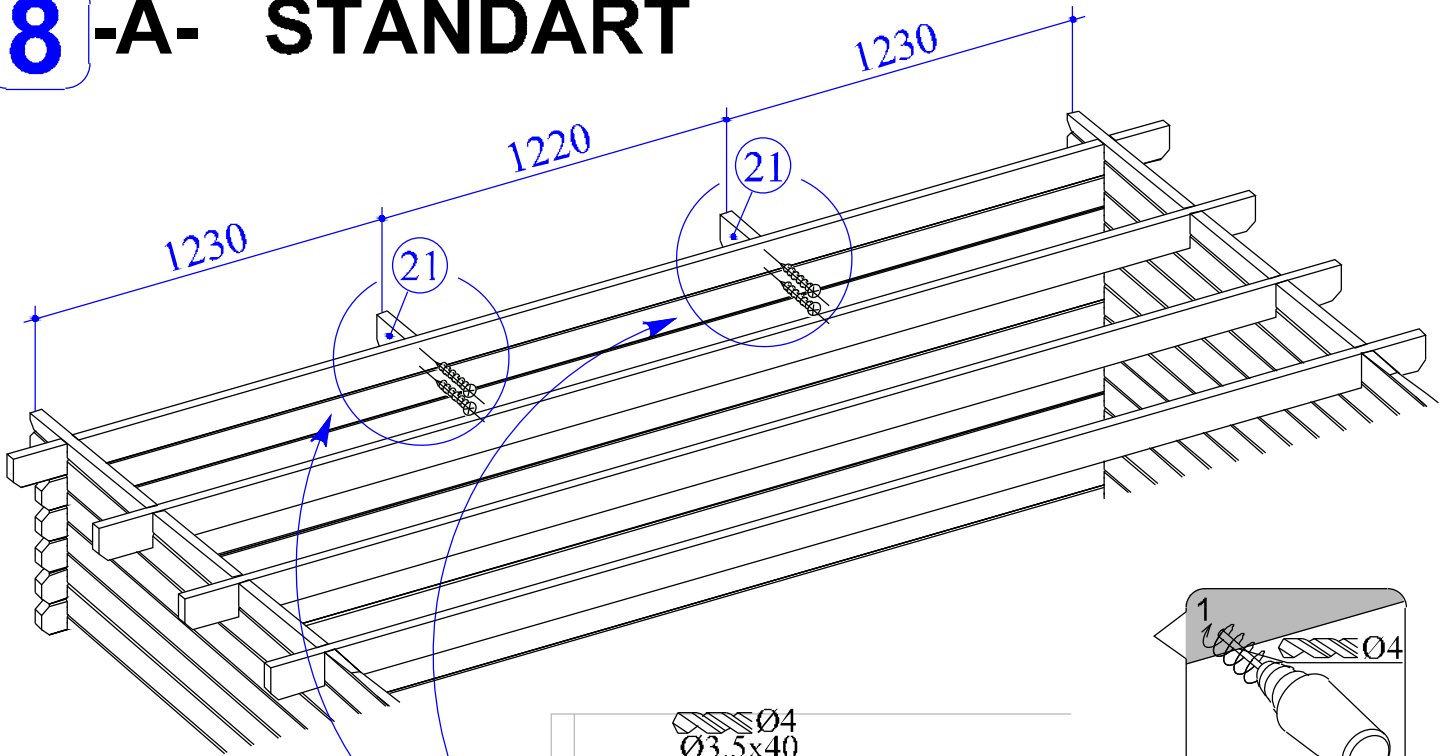


→||←40mm

3,9 x 3,9

40204

8-A- STANDART

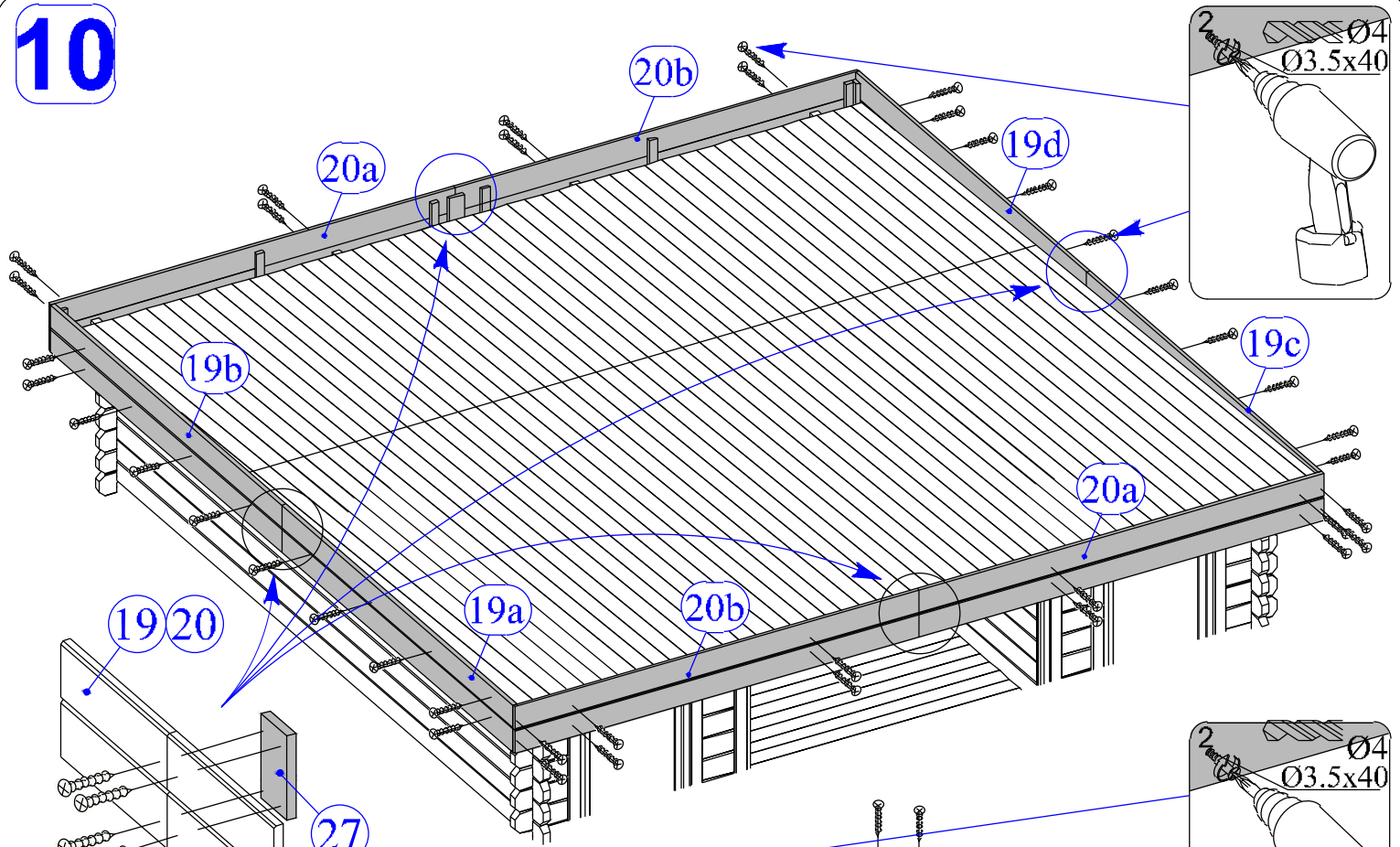


→||←40mm

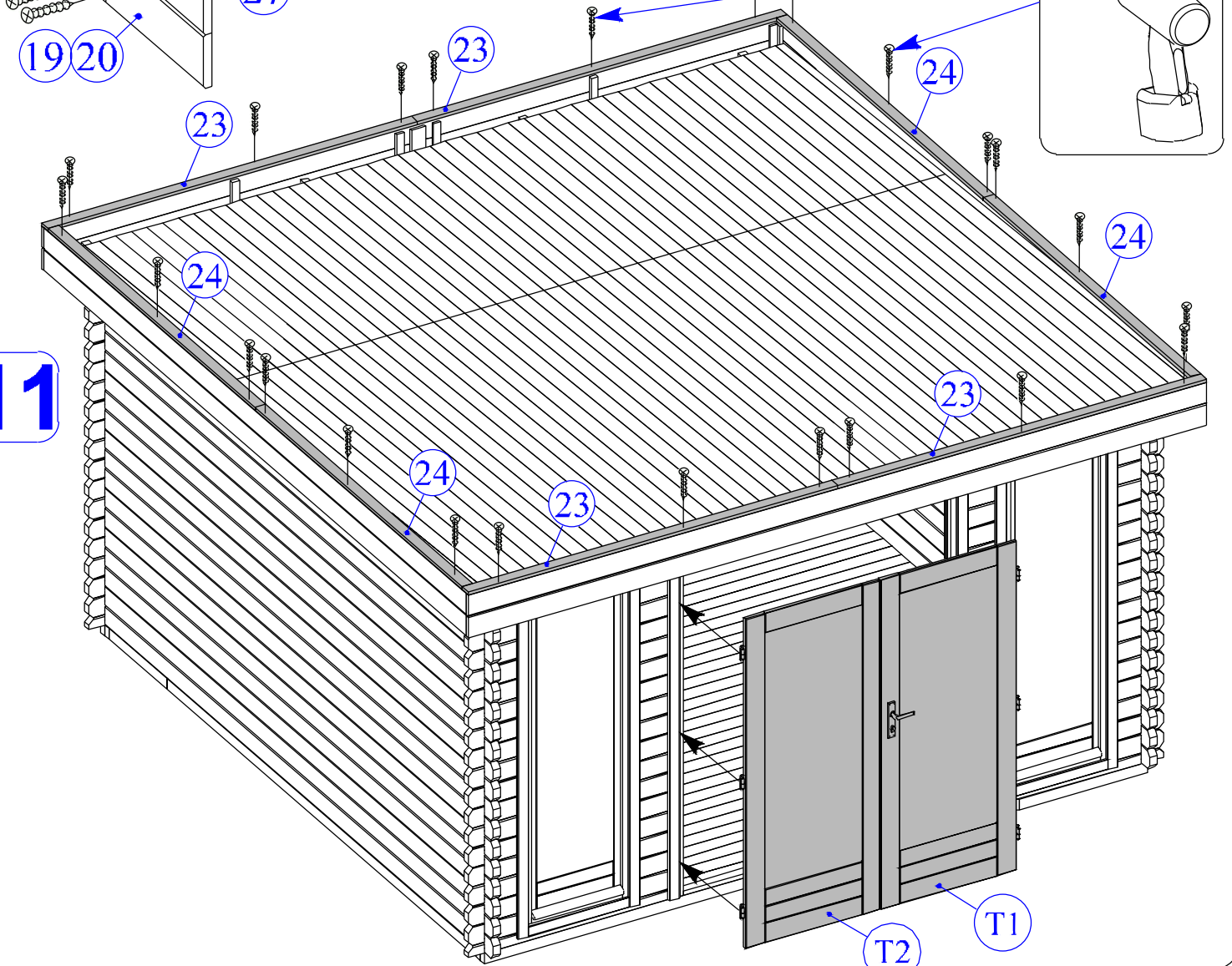
3,9 x 3,9

40204

10

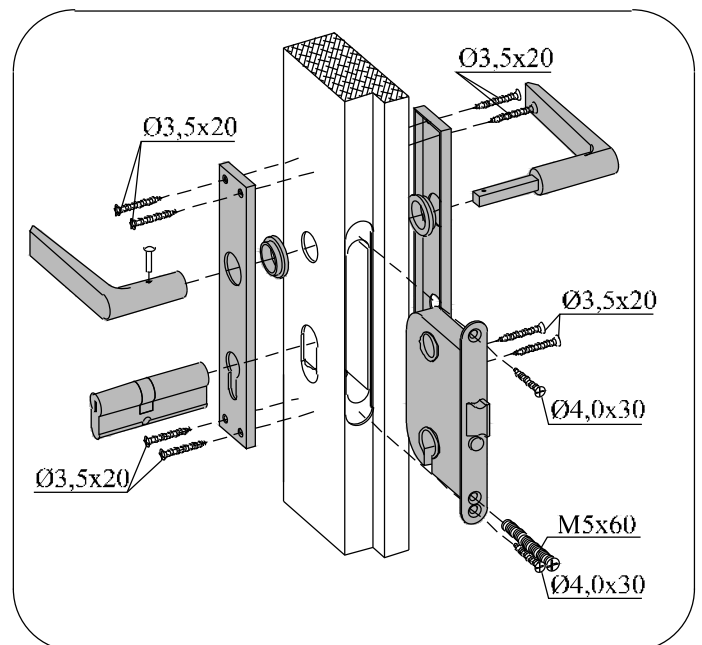
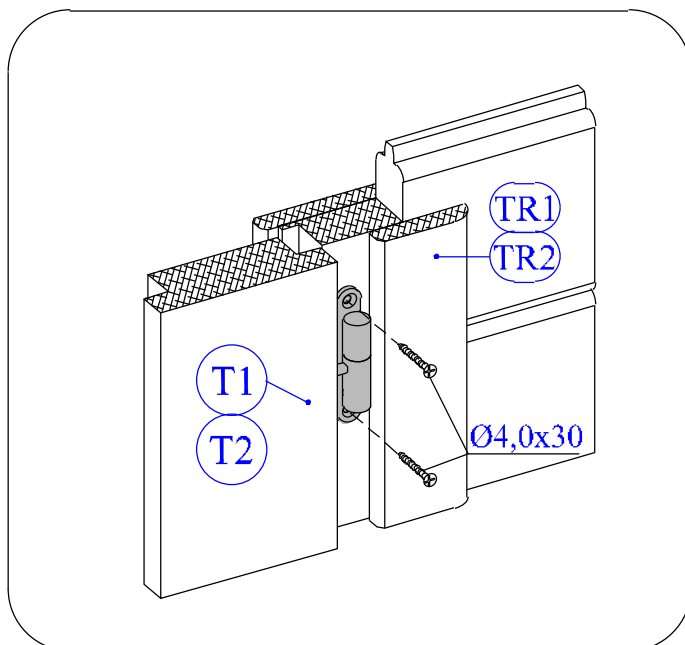
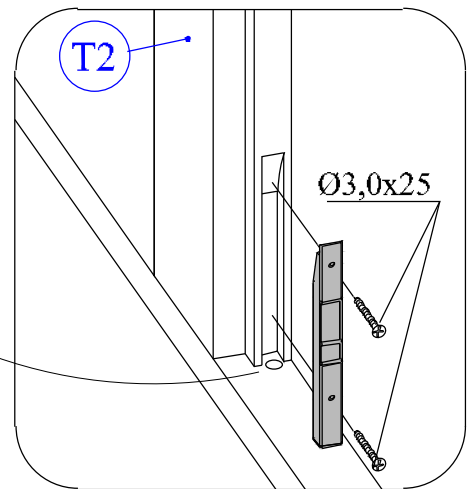
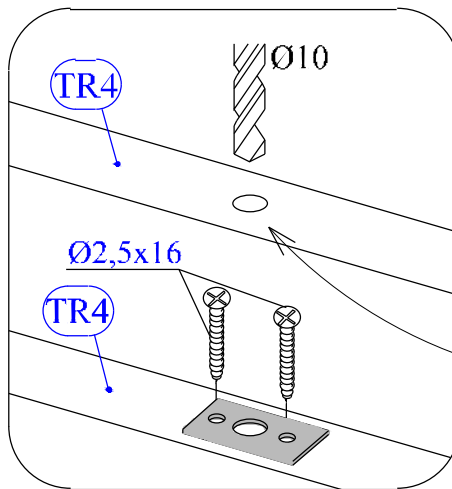
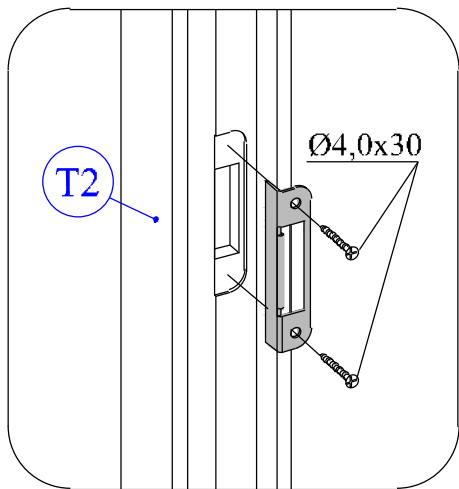
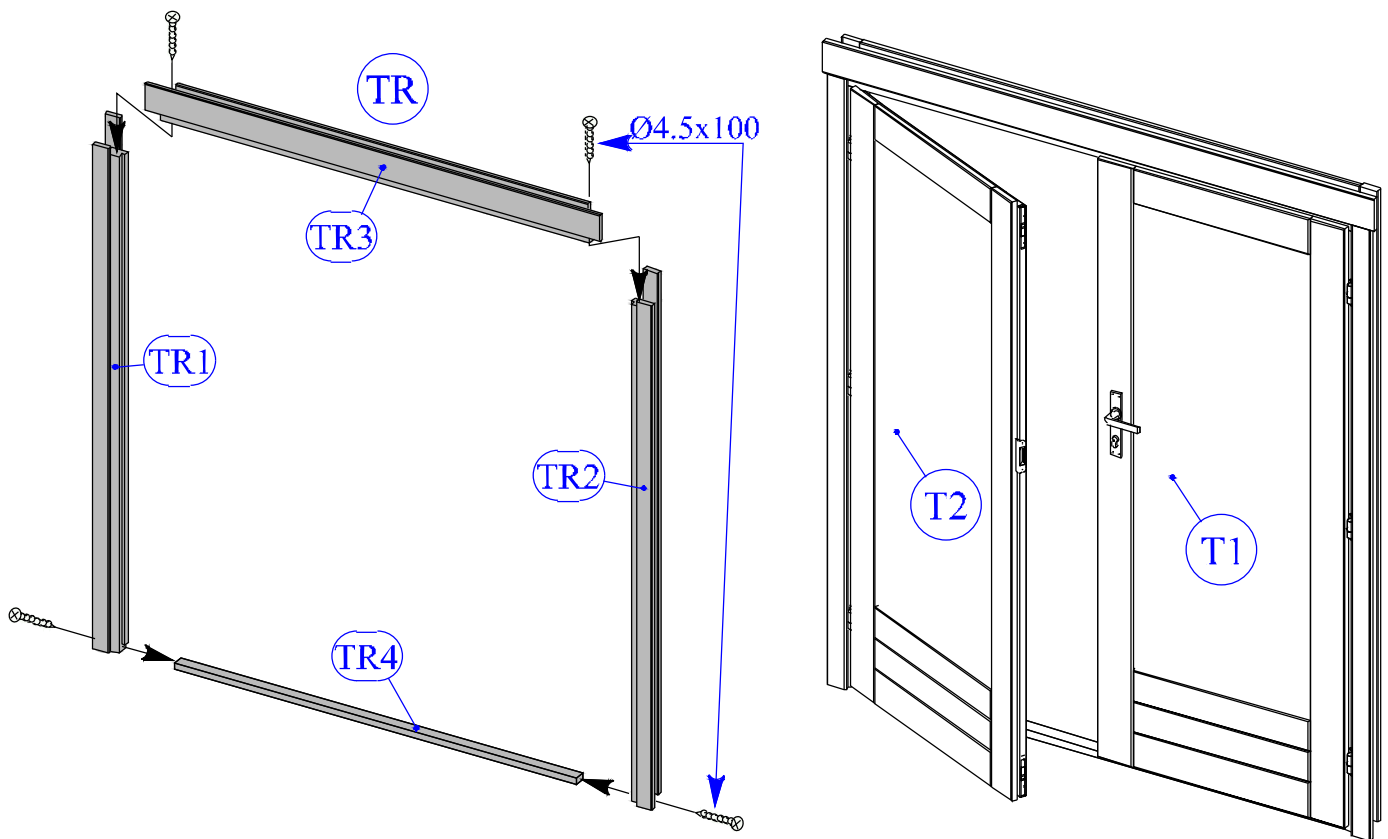


11



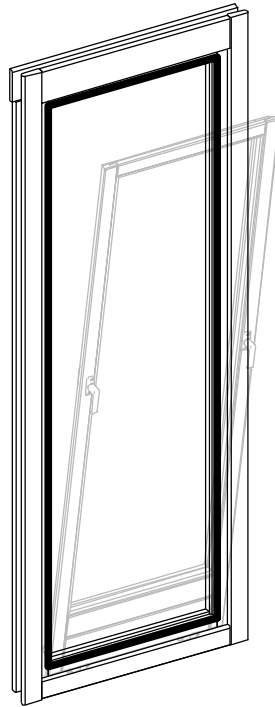
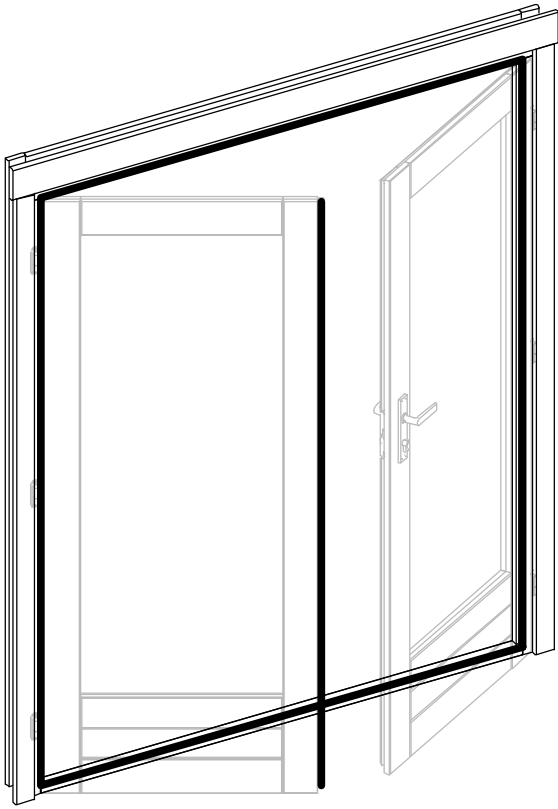
→ || ← 40mm

3,9 x 3,9 40204



→||←40mm

3,9 x 3,9 **40204**



Dichtgummi
étanchéité en caoutchouc
sealing rubber

