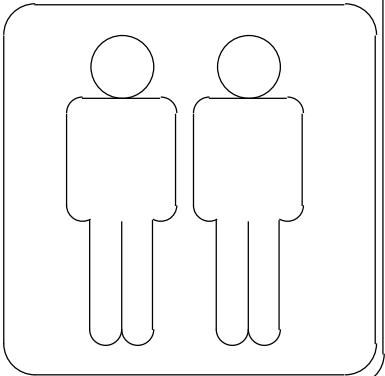
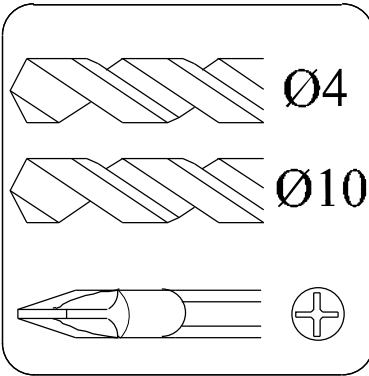
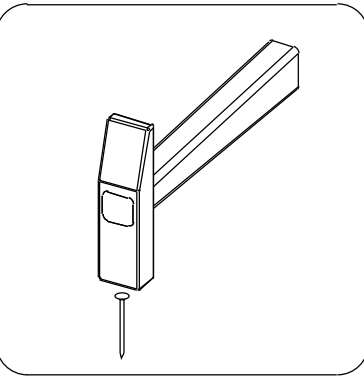
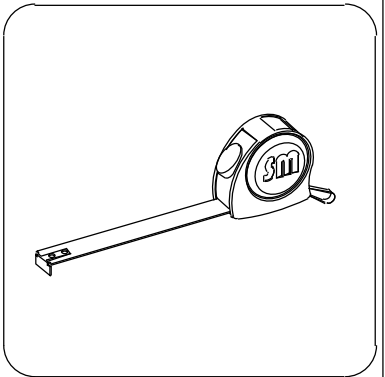
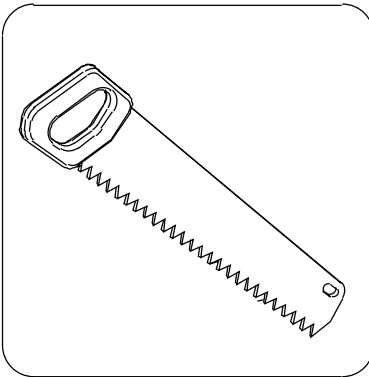
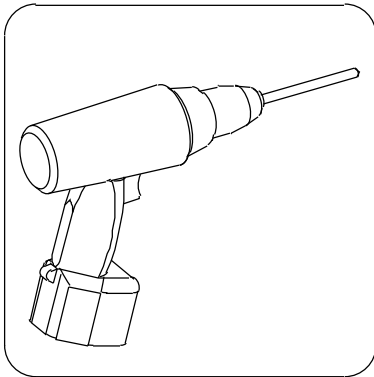
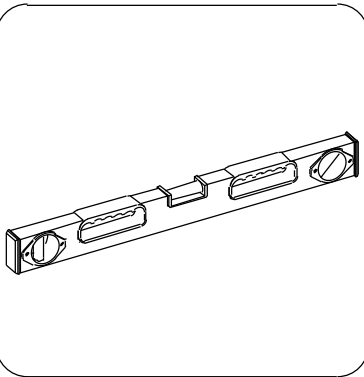
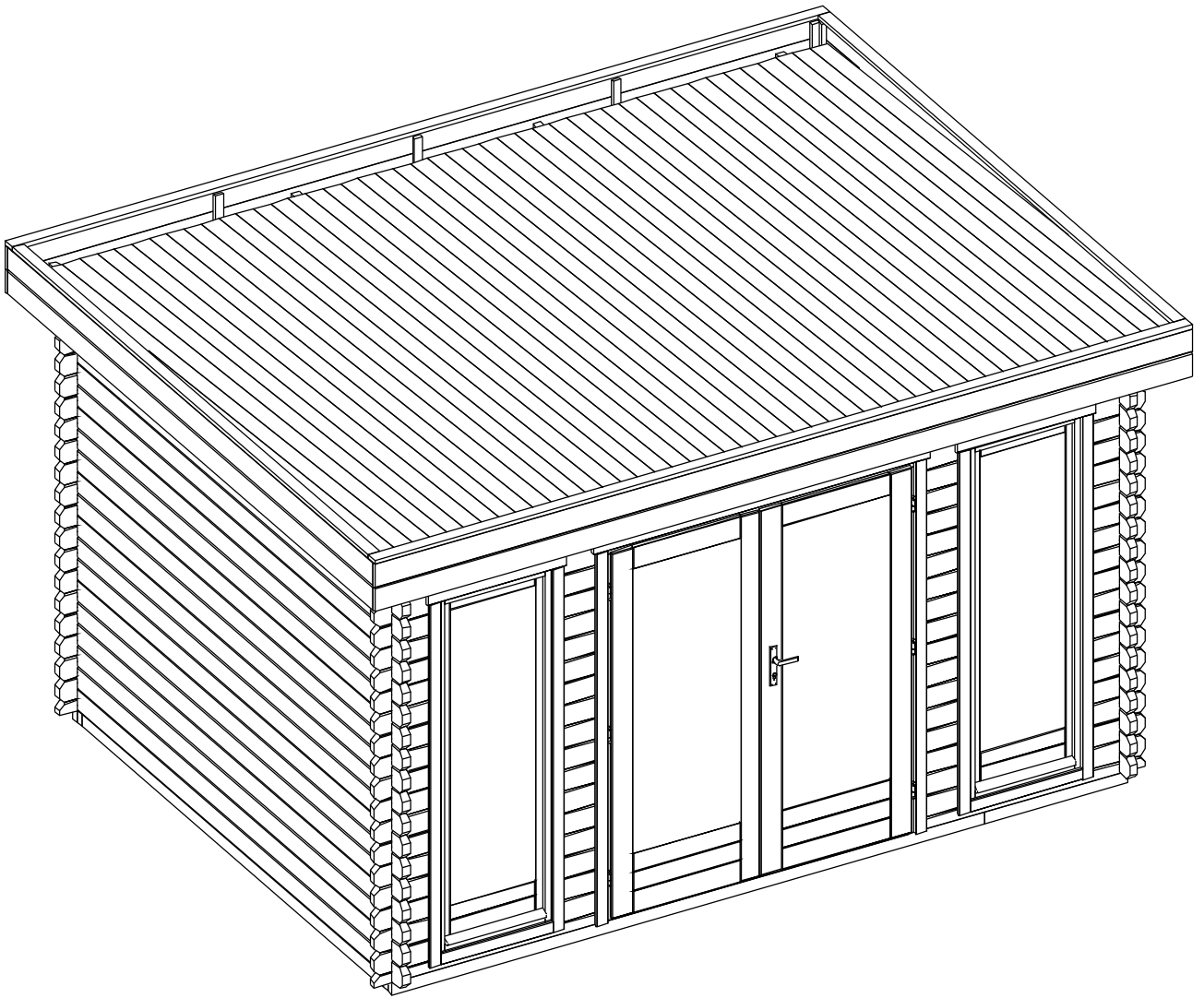


→ || ← 40mm

3,9 x 2,98

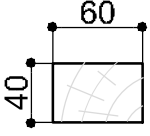
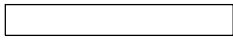
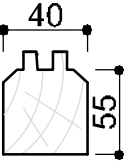

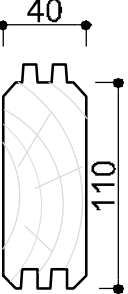


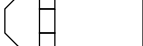

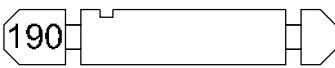

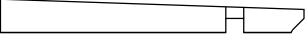
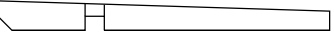
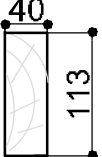
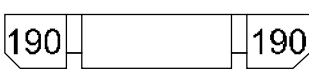
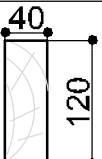

**40206**



→||←40mm

## SPECIFICATION 3,9 x 2,98

40206

Dim.	Skizze	Pos.	Länge (mm)	Stck.	Name	Ref.
		①	3000	4	Fundamentbalken Lambourdes Foundation beam	283039
		②	720	4		283081
		③	2640	11		283085
		④	3900	1	Zurück Brett Madrier arrière Back board	400013
		⑤	1142	2	Front Brett Madrier avant Front board	400010
		⑥	3900	20+1	Front/Zurück Brett Madrier avant/arrière Front/Back board	400014
		⑦	2980	36	Seiten Brett Madrier latéral Side board	400121
		⑧	285	34	Front/Seiten Brett Madrier latéral/arrière Front/Side board	400039
		⑨	220	34	Front Brett Madrier avant Front board	400256
		⑩	3080	2	Seiten Brett Madrier latéral Side board	400246
	⑪	2400	2	Seiten Brett Madrier latéral Side board	402031	
	⑫	742	2	Seiten Brett Madrier latéral Side board	402030	
	⑬	742	2	Seiten Brett Madrier latéral Side board	402032	
		⑭	4100	2	Zurück Brett Madrier arrière Back board	401039
		⑮	4100	4	Sparren Panne faîtière Rafters	404052

→ || ← 40mm

SPECIFICATION

3,9 x 2,98

**40206**

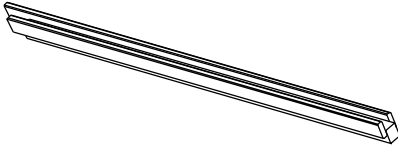
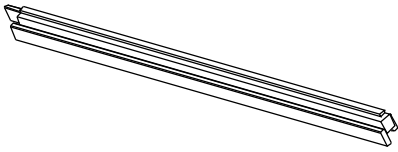
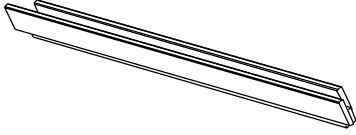

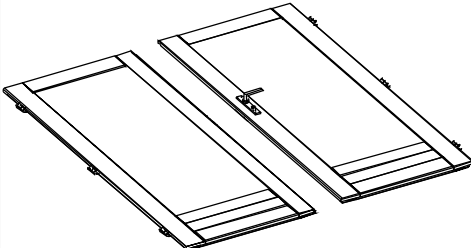
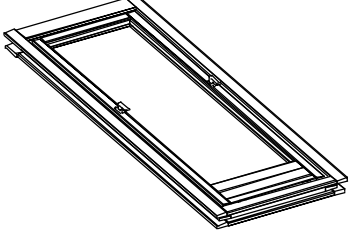
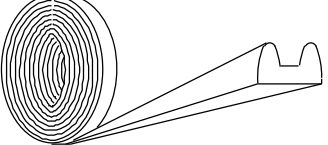
		<p>16</p>	<p>3150</p>	<p>47 (37)</p>	<p>Dach Bretter Madrrier de toit Roof board</p>	<p>284510</p>
		<p>17</p>	<p>3630</p>	<p>31 (25)</p>	<p>Boden Bretter Plancher bois Floor board</p>	<p>283514</p>
		<p>18a</p>	<p>3200</p>	<p>1+1</p>	<p>Wind Brett Planche de rive Wind board</p>	<p>285040</p>
		<p>18b</p>	<p>4138</p>	<p>2</p>		<p>285039</p>
		<p>20</p>	<p>190</p>	<p>2</p>		<p>287129</p>
		<p>21</p>	<p>190</p>	<p>2</p>		<p>287130</p>
		<p>22</p>	<p>2069</p>	<p>4</p>	<p>Wind Brett Planche de rive Wind board</p>	<p>286529</p>
		<p>23</p>	<p>3098</p>	<p>2</p>		<p>286515</p>
		<p>24</p>	<p>3640</p>	<p>1</p>		<p>283274</p>
		<p>25</p>	<p>980</p>	<p>2</p>		<p>283278</p>
		<p>26</p>	<p>2720</p>	<p>2</p>		<p>283254</p>
		<p>27</p>	<p>1830</p>	<p>2</p>	<p>Wind Brett</p>	<p>286060</p>
		<p>28</p>	<p>1830</p>	<p>2</p>	<p>Wind Brett</p>	<p>286059</p>

→||←40mm

## SPECIFICATION

3,9 x 2,98

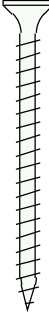

40206

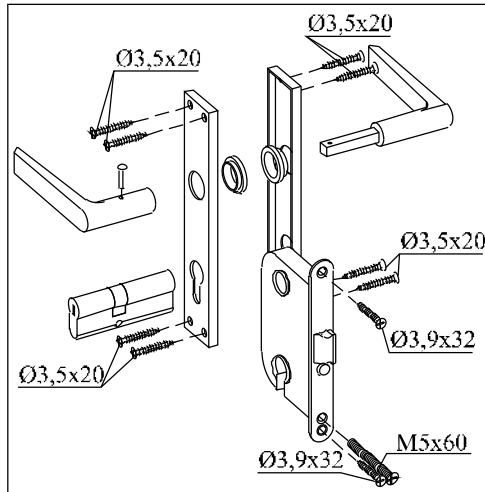
	TR1	1973	1	Türrahmen links Cadre de porte gauche Door frame left	409224
	TR2	1973	1	Türrahmen rechts Cadre de porte droite Door frame right	409225
	TR3	1700	1	Über Türrahmen Montant supérieur Door frame top	409226
	TR4	1500	1	Türstufe Latte de finition bas Door frame bottom	409227
	T1	1850x 765	1	Tür Porte Doors	289020 T1
	T2	1850x 765	1		289020 T2
	F2	1955x 700	2	Fenster Fenêtre Window	409111
		16,2m	1	Dichtgummi étanchéité en caoutchouc sealing rubber	

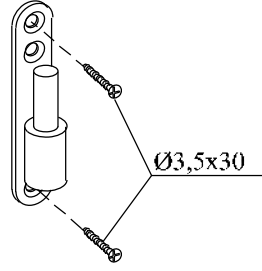
→||←40mm

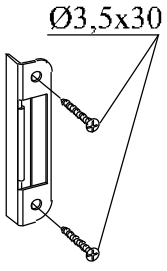
SPECIFICATION 3,9 x 2,98

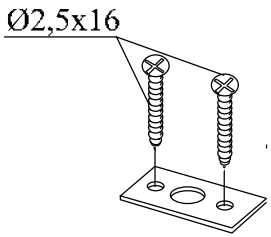
**40206**

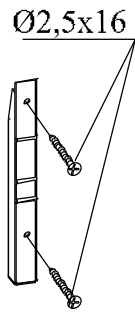
	Pos.	Dim	Stck.
	A	Ø4.5 x 100	12
	B	Ø3.5 x 50	30
	C	Ø3.2 x 39	90
	D	Ø5.0 x 120	18
	C	Ø2.0 x 40	300
	D	Ø2.0 x 50	300

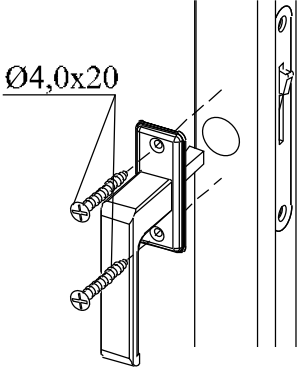


Skizze	Stck.
	6

Skizze	Stck.
	1

Skizze	Stck.
	2

Skizze	Stck.
	2

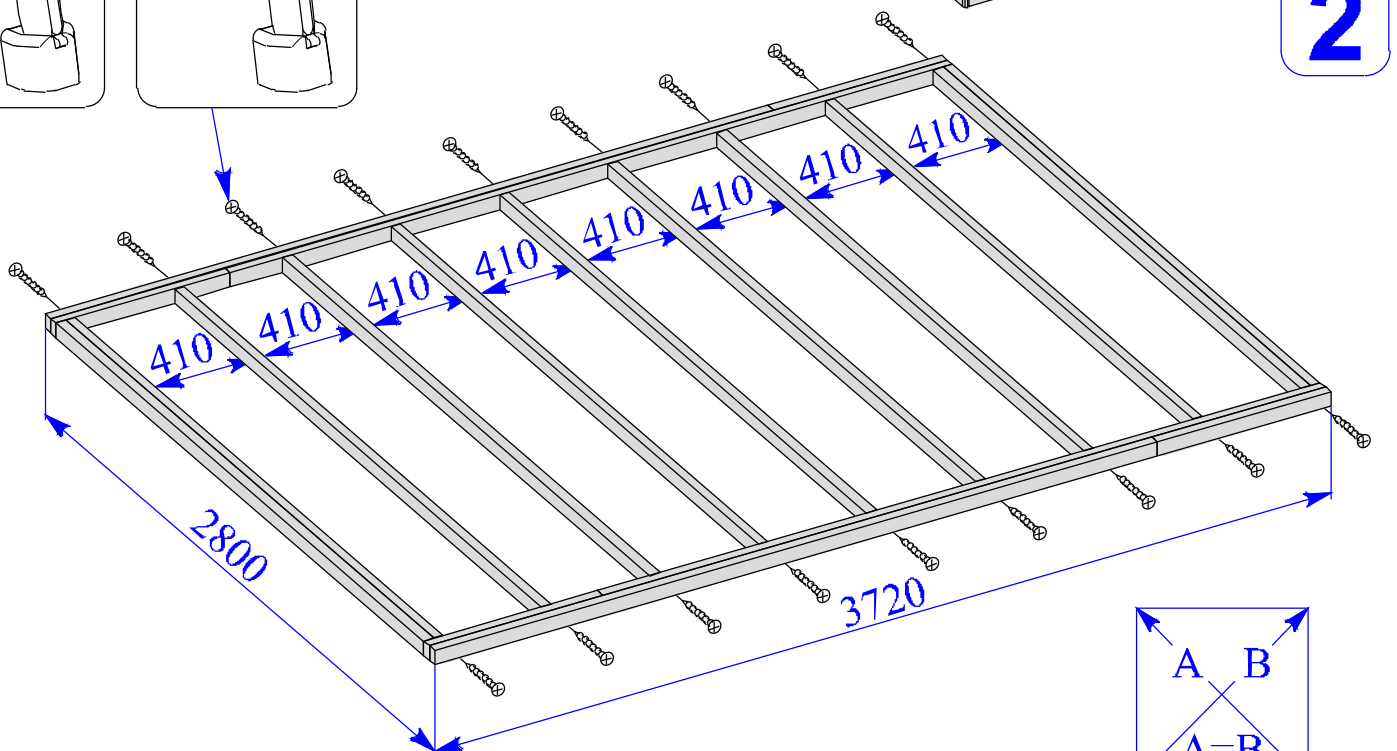
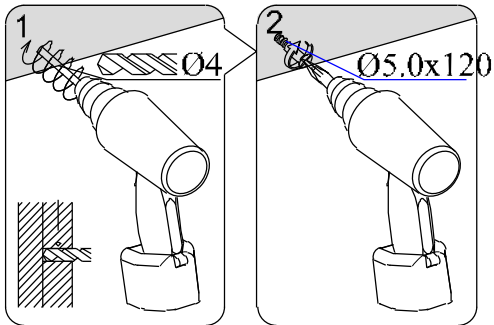
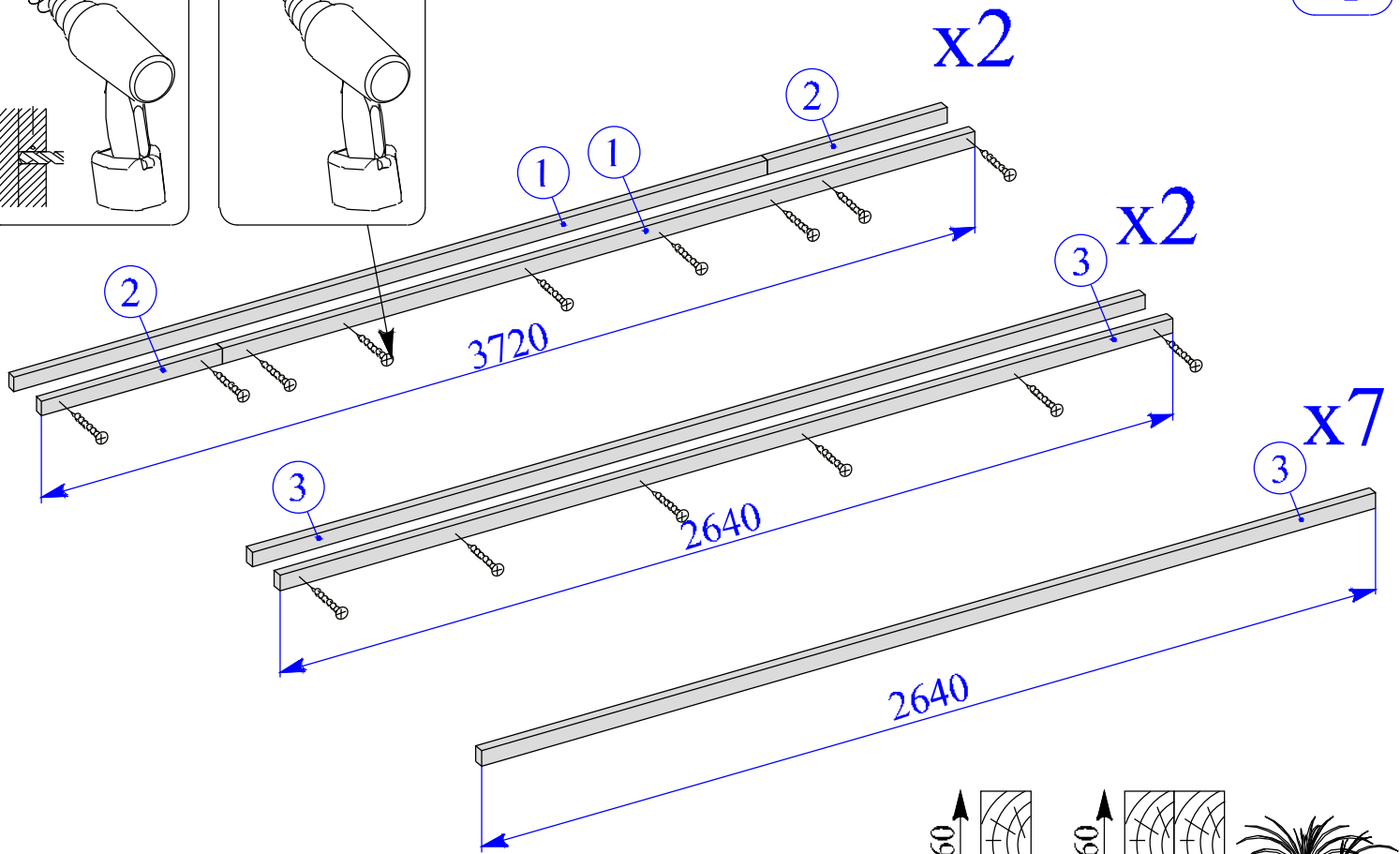
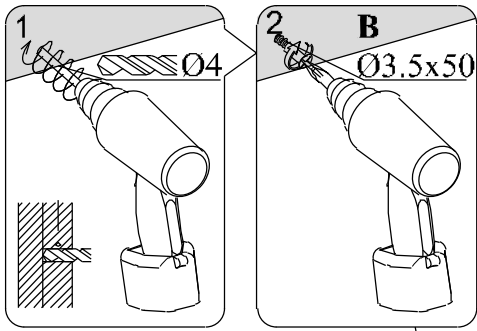
Skizze	Stck.
	4

→||←40mm

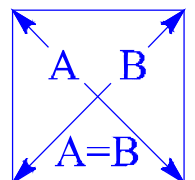
3,9 x 2,98

40206

1



2



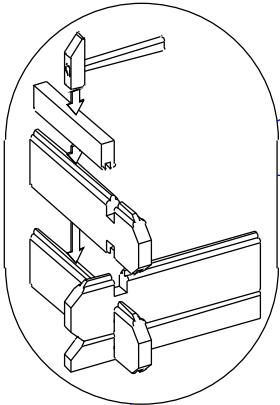
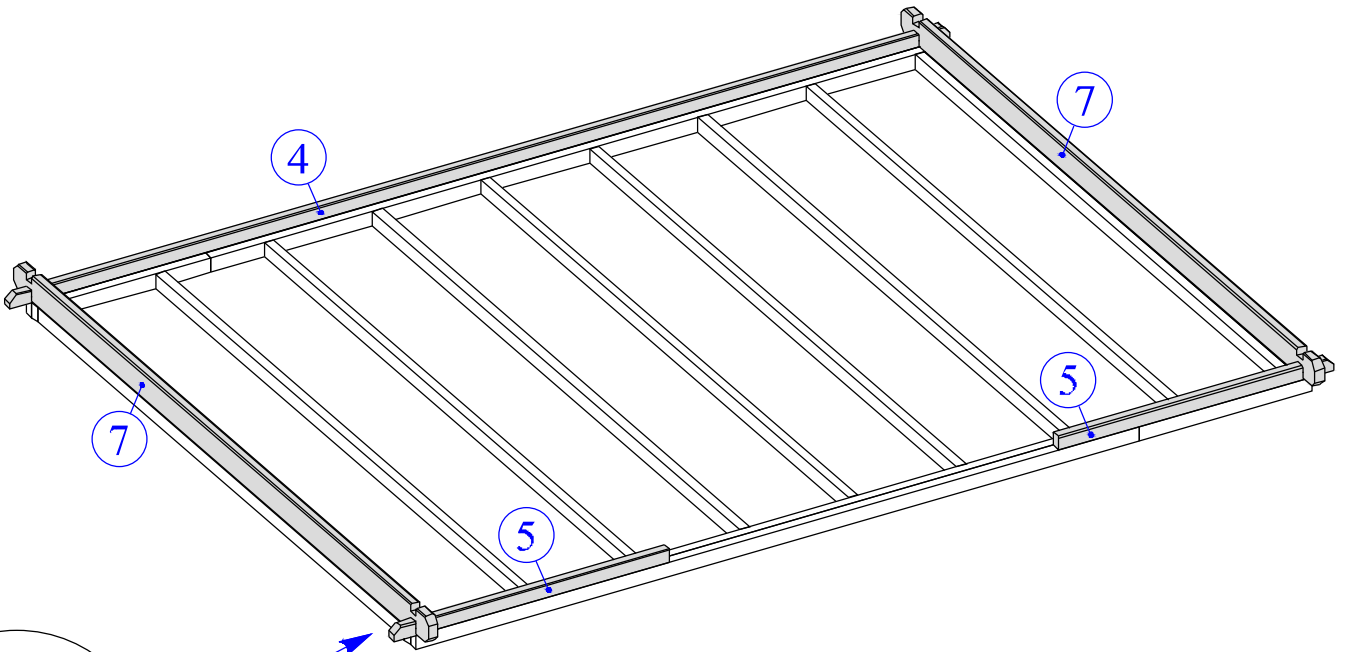
A=B=5261mm

→||←40mm

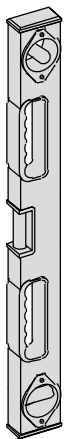
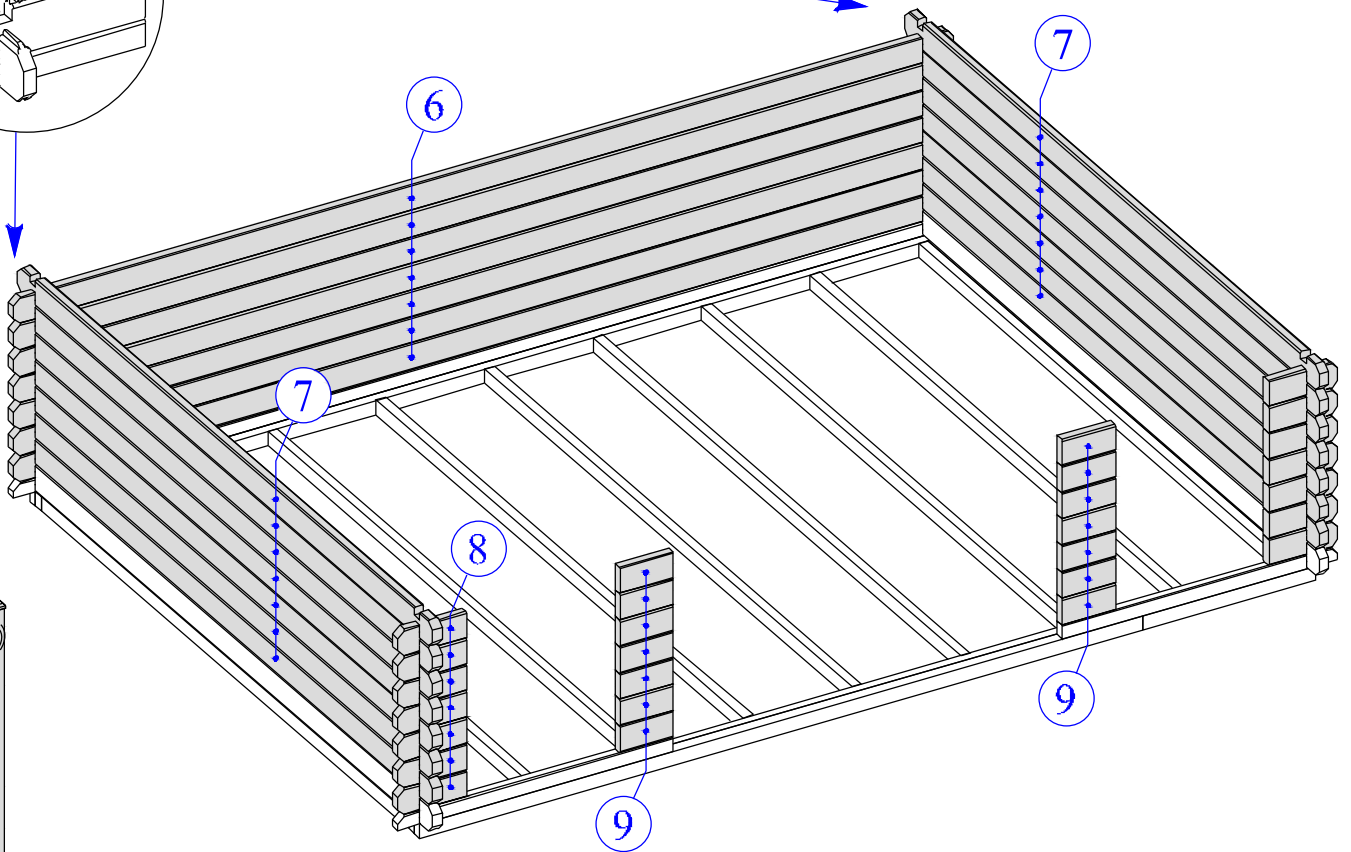
3,9 x 2,98

**40206**

**3**



**4**

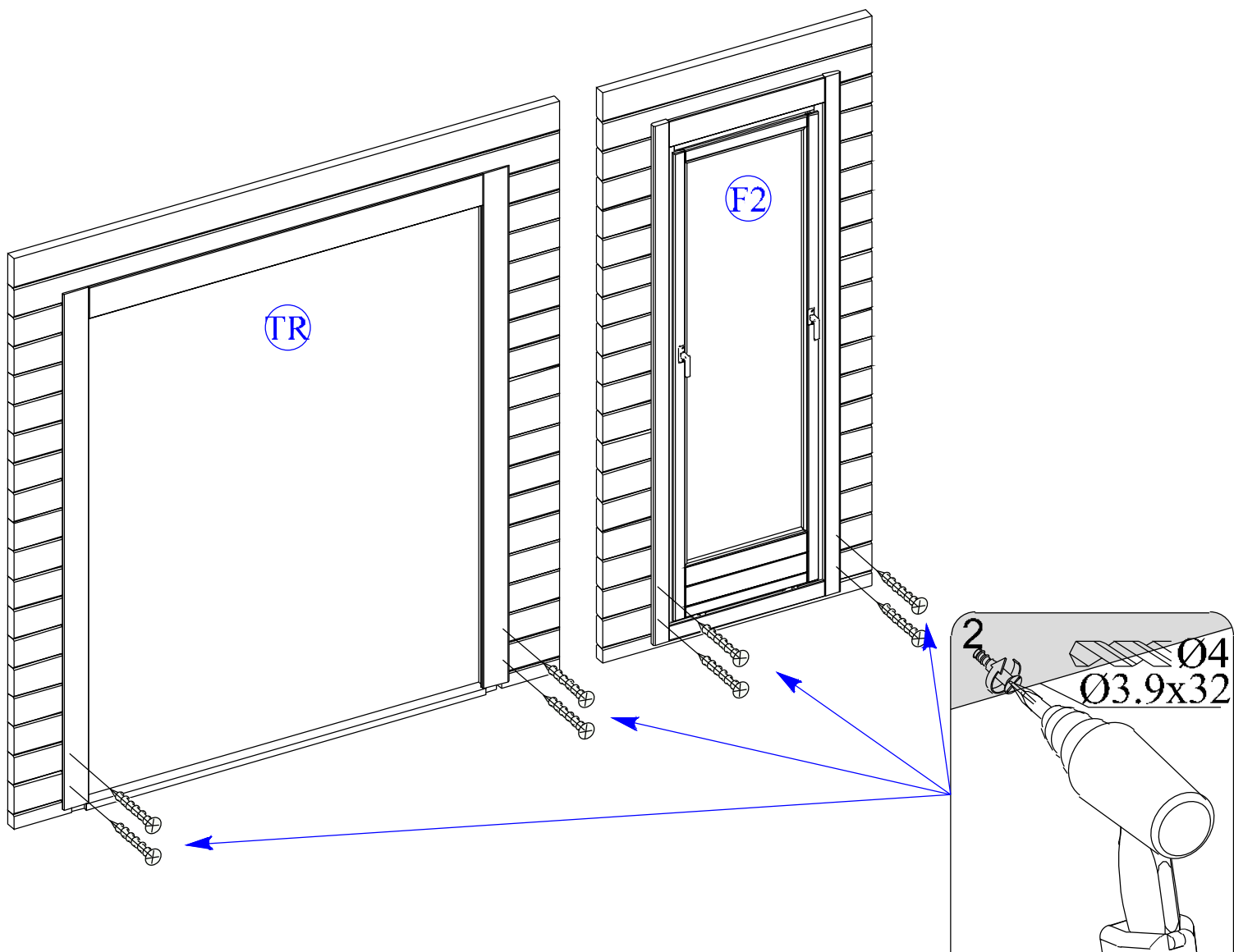
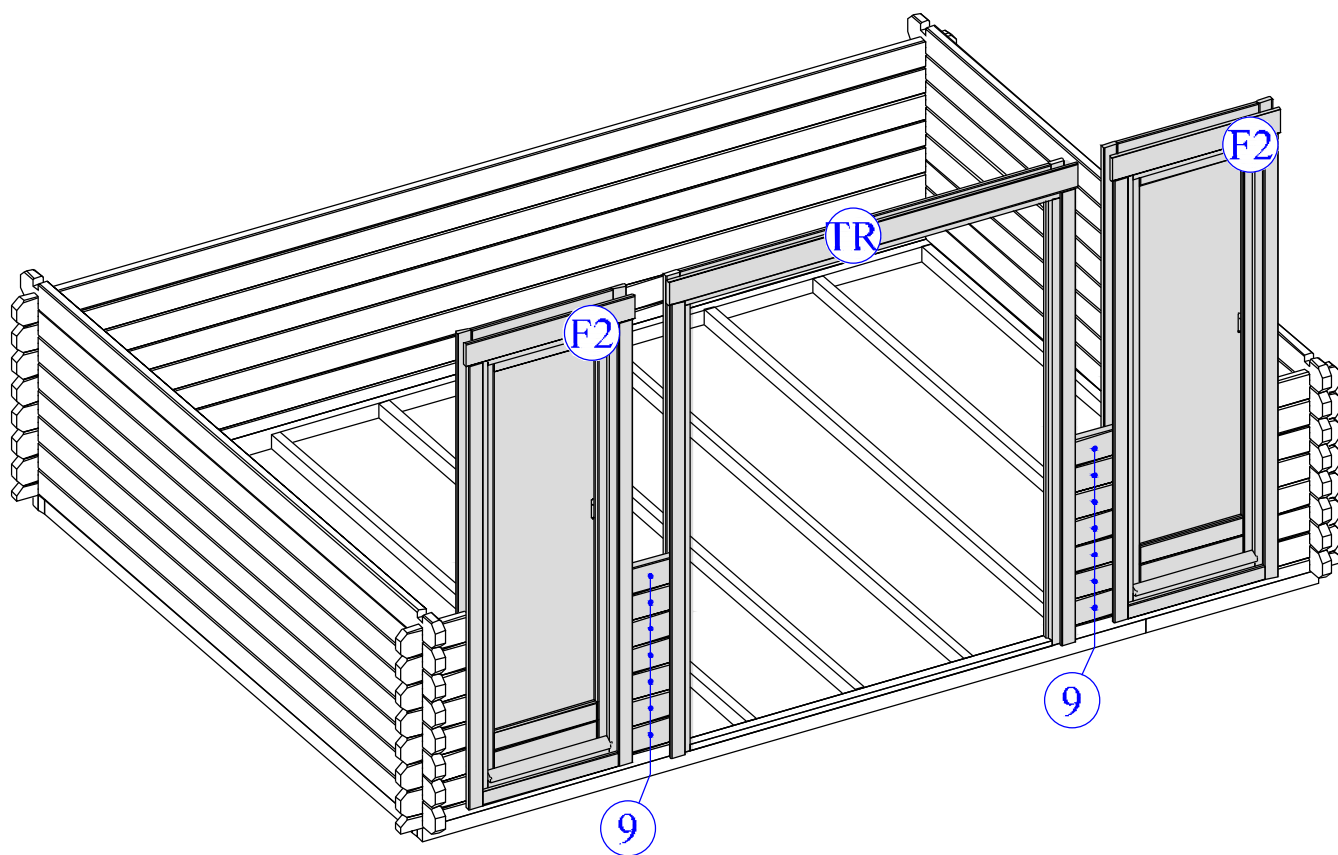


→||←40mm

3,9 x 2,98

40206

5

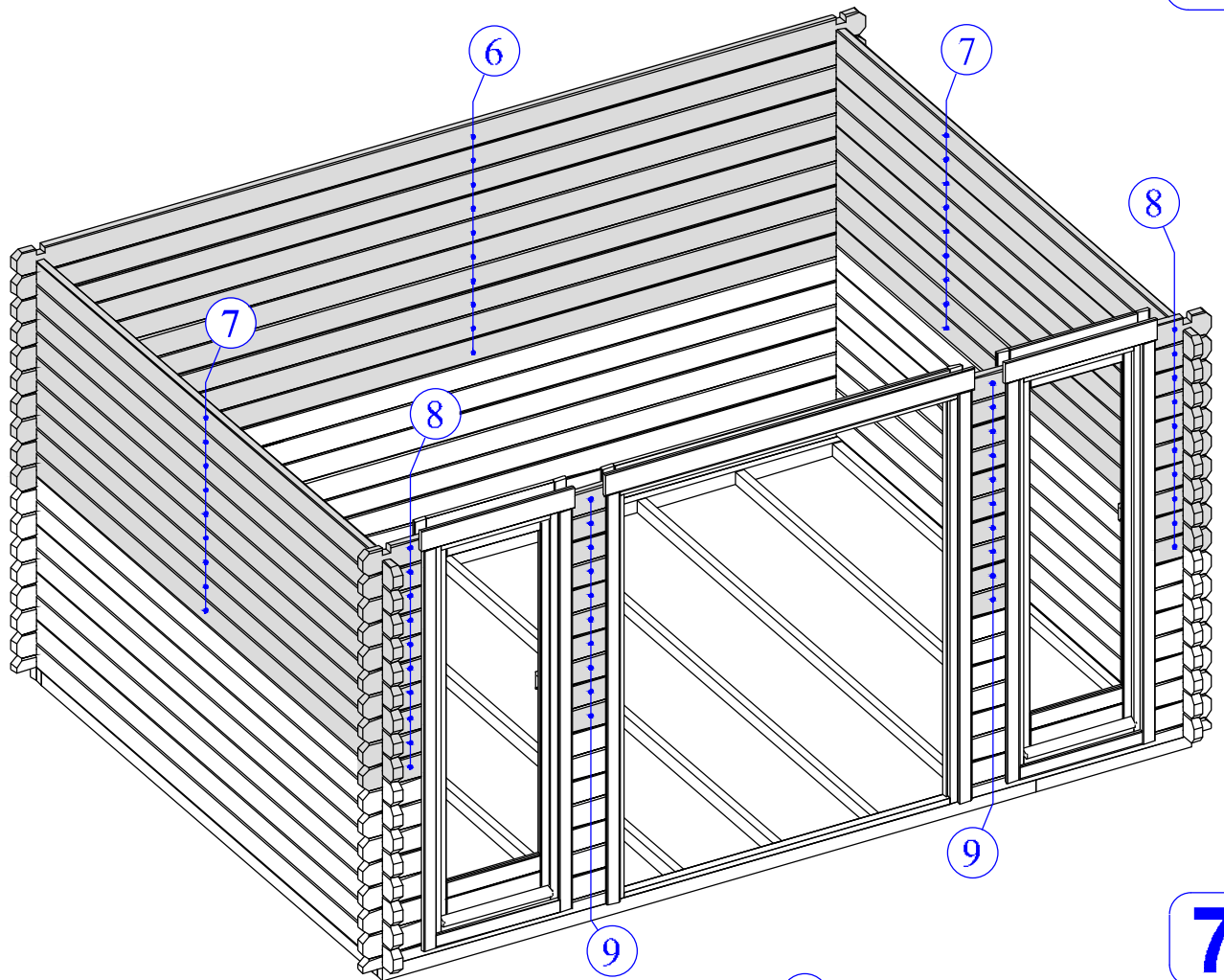


→||←40mm

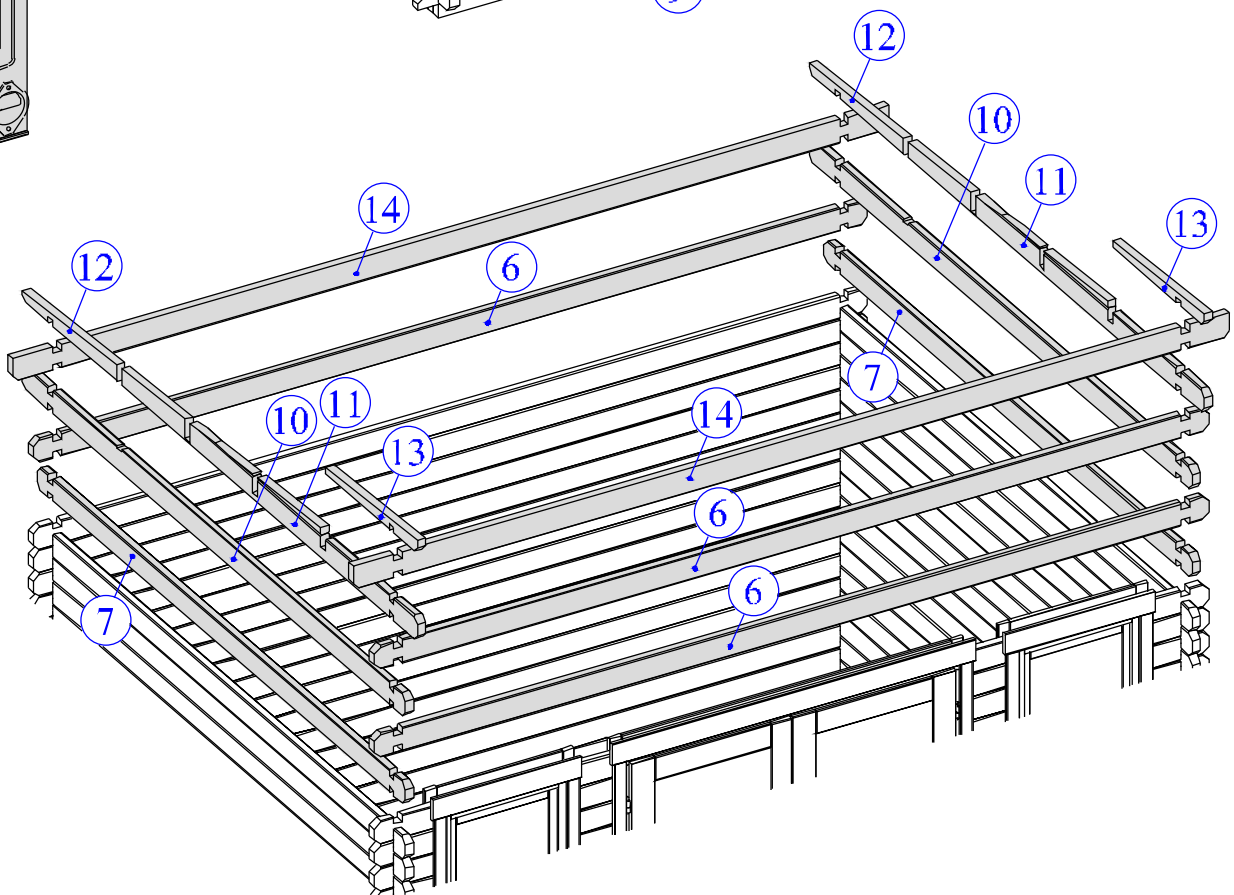
3,9 x 2,98

40206

6



7

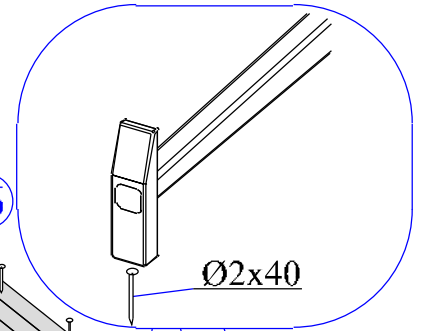
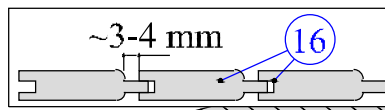
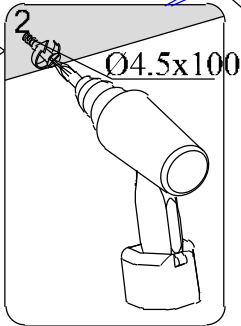
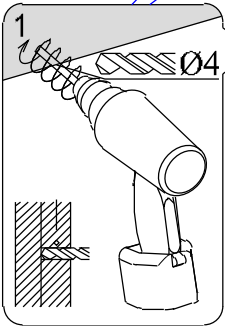
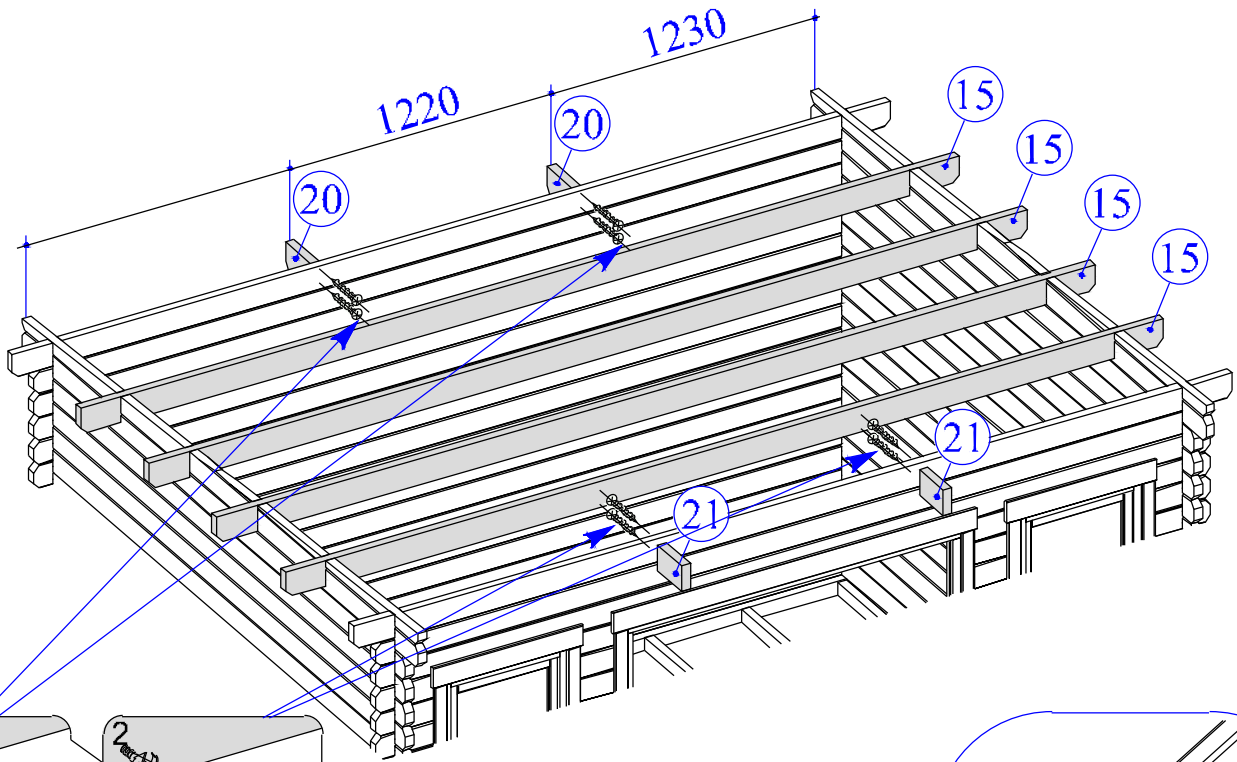


→||←40mm

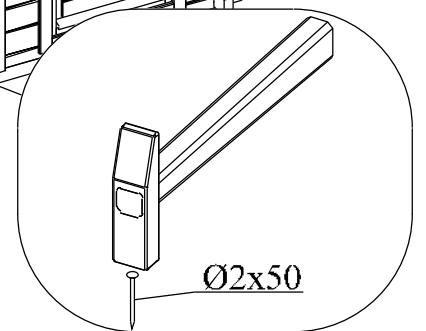
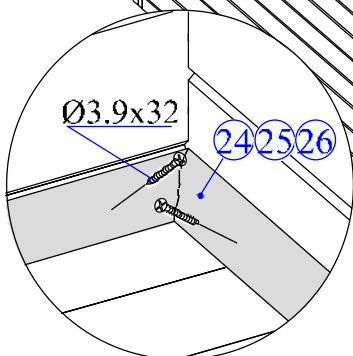
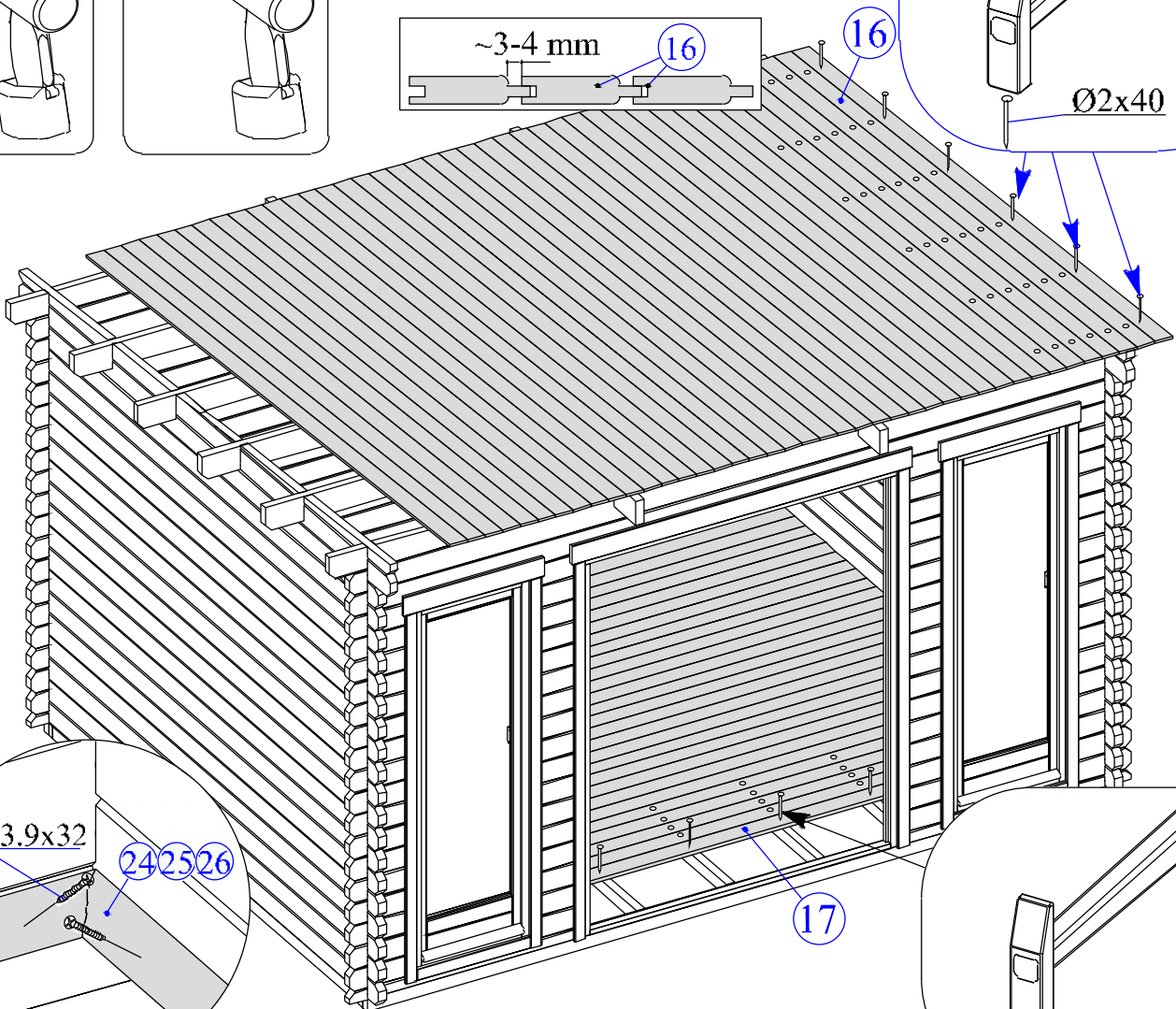
3,9 x 2,98

40206

8



9

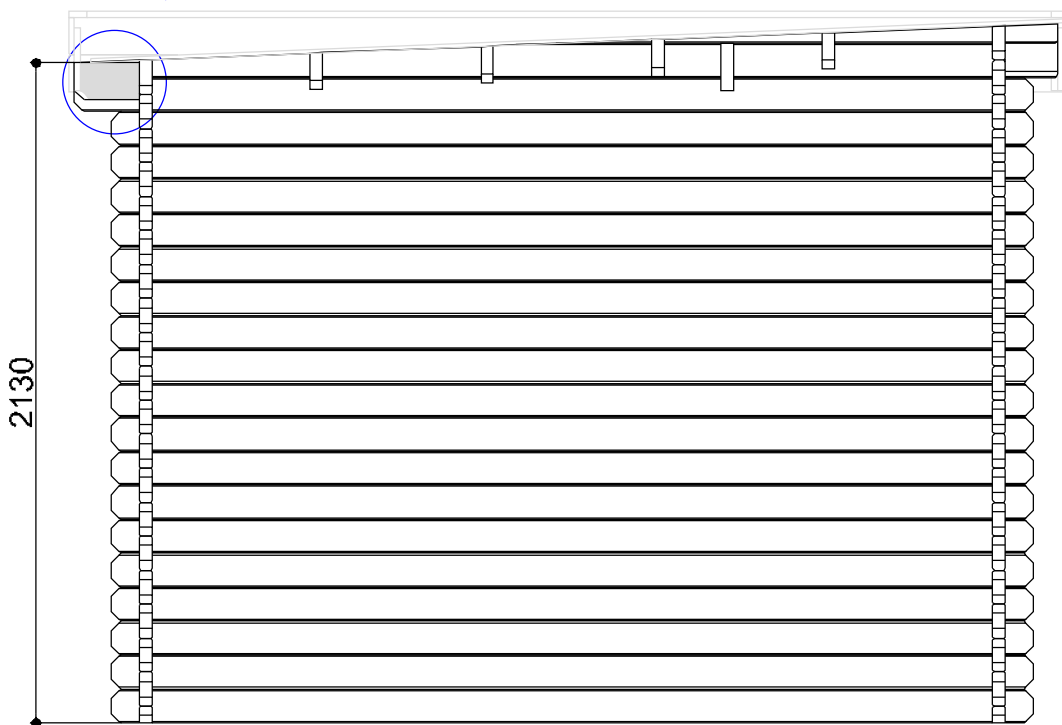
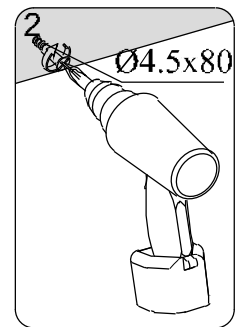
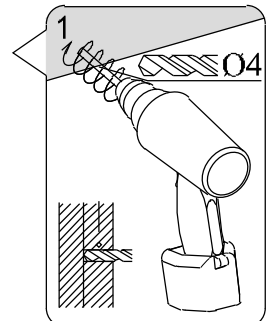
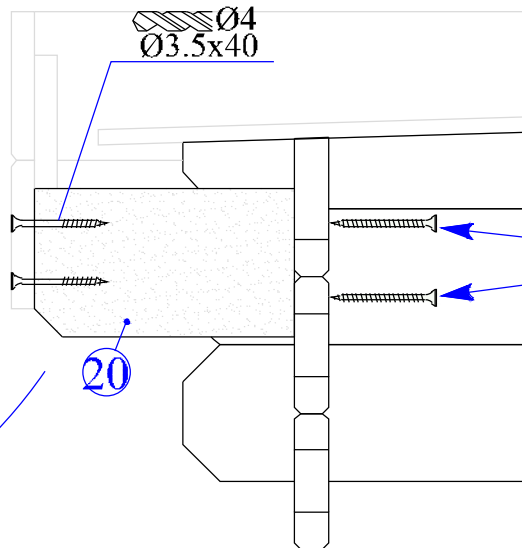
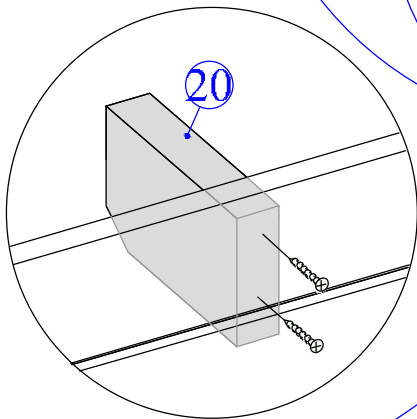
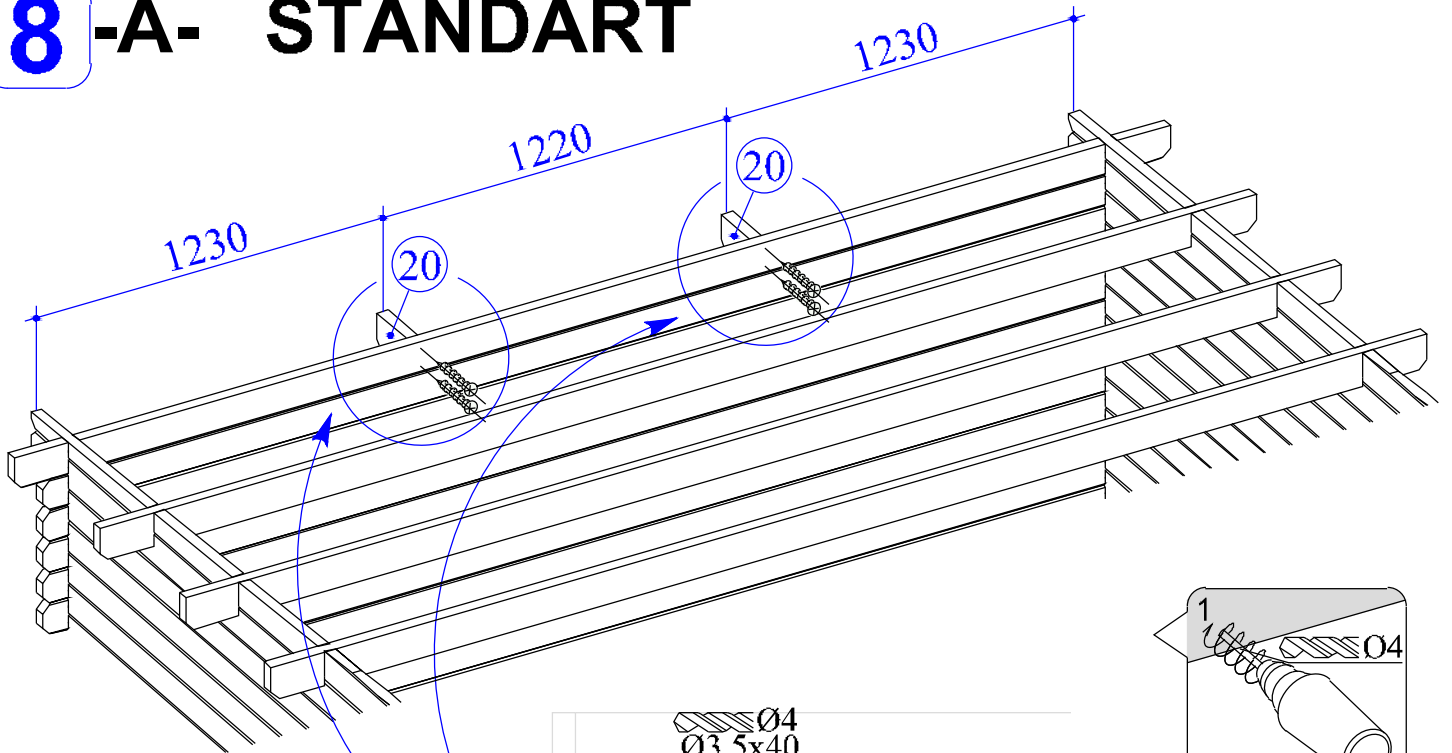


→||←40mm

3,9 x 3,9

40206

# 8-A- STANDART

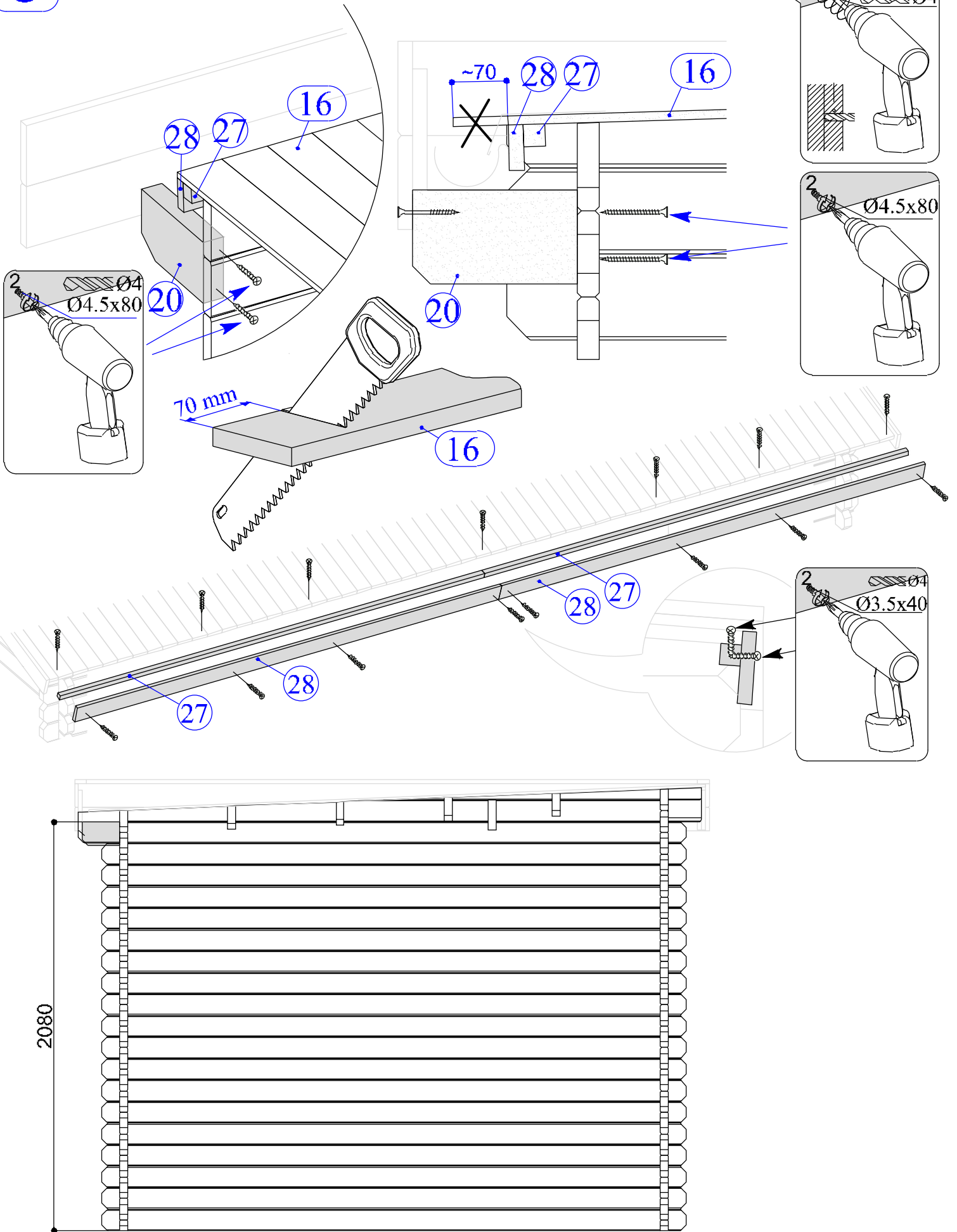


→||←40mm

3,9 x 3,9

40206

# 8 -B- MODIFY

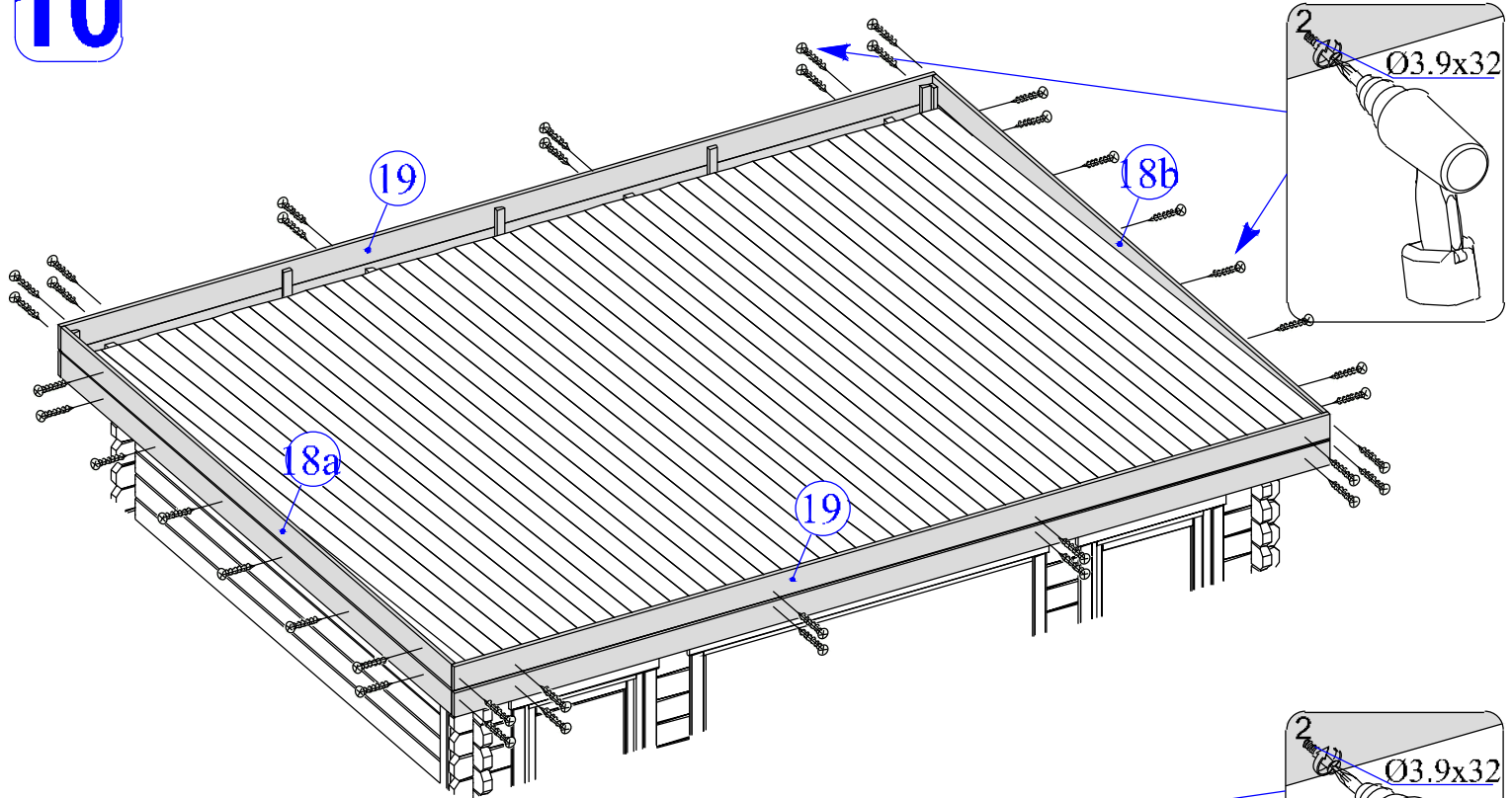


→ || ← 40mm

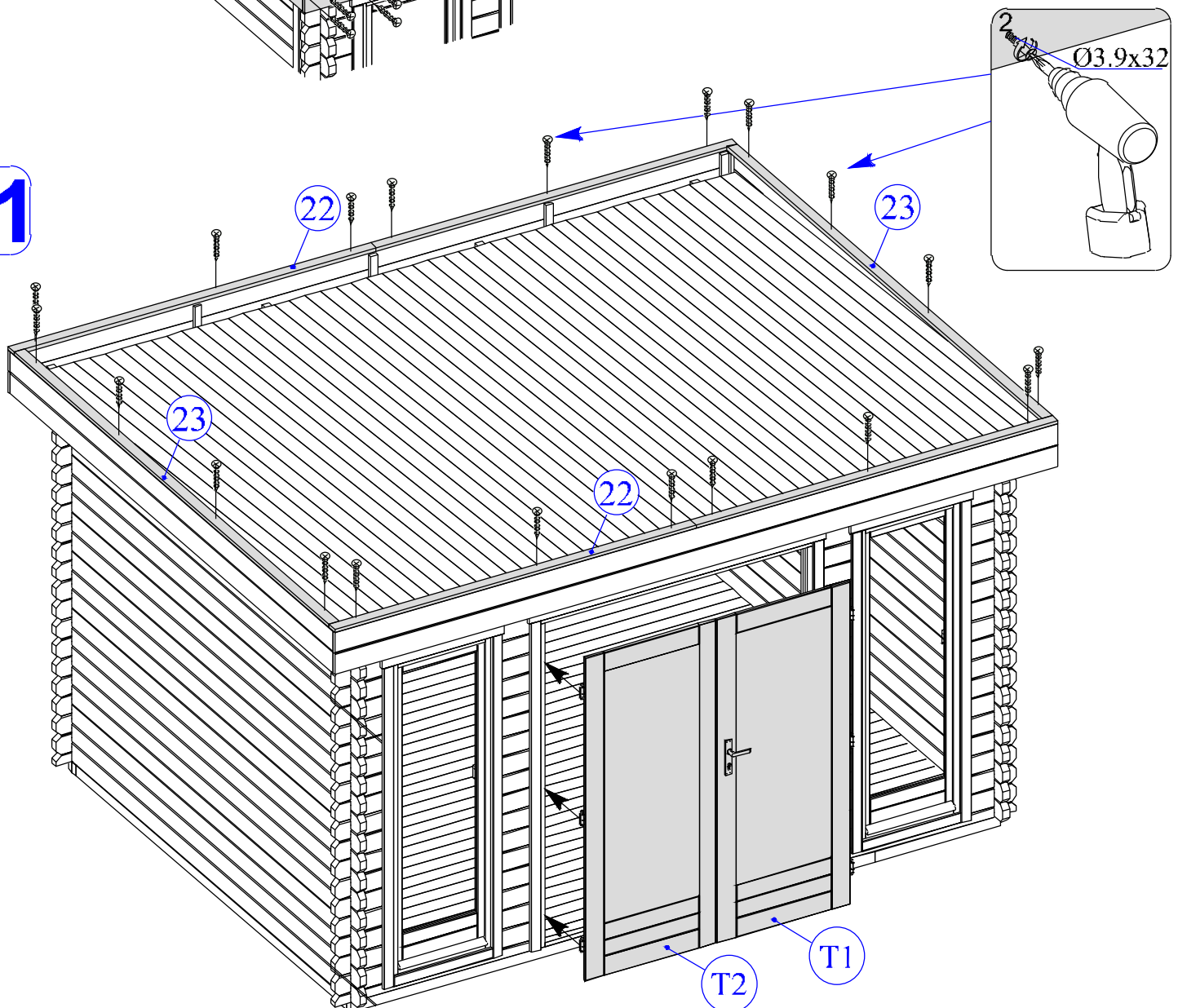
3,9 x 2,98

40206

10

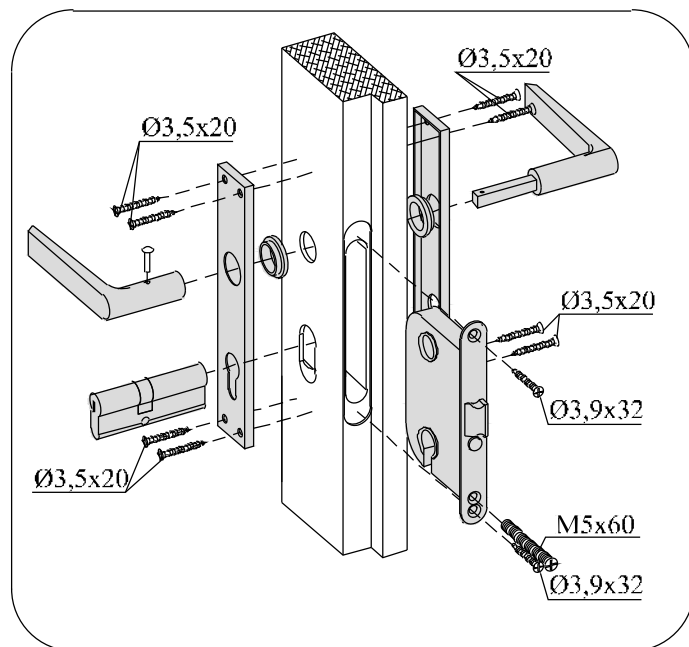
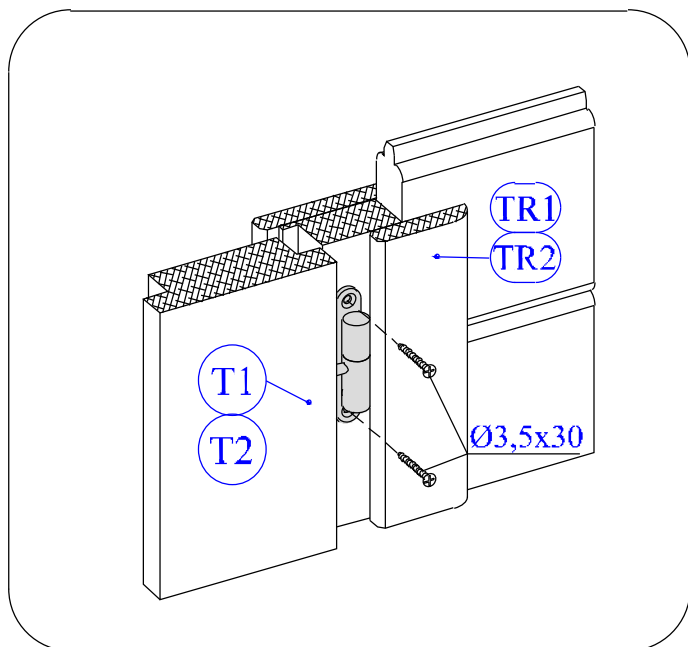
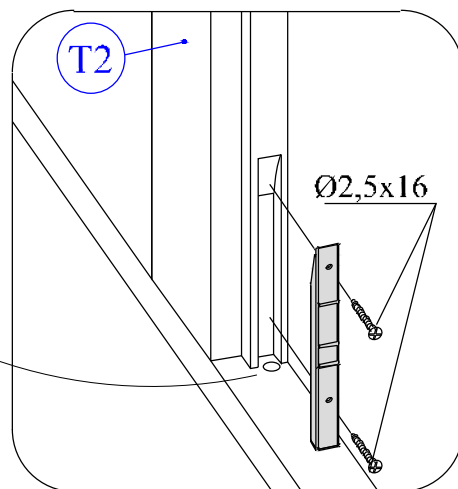
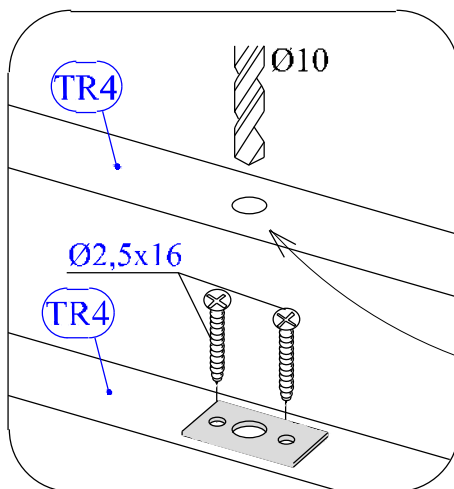
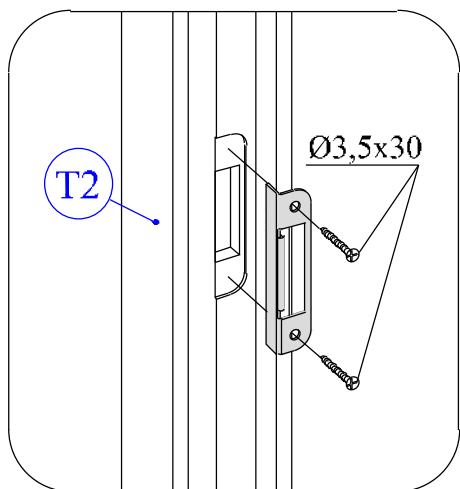
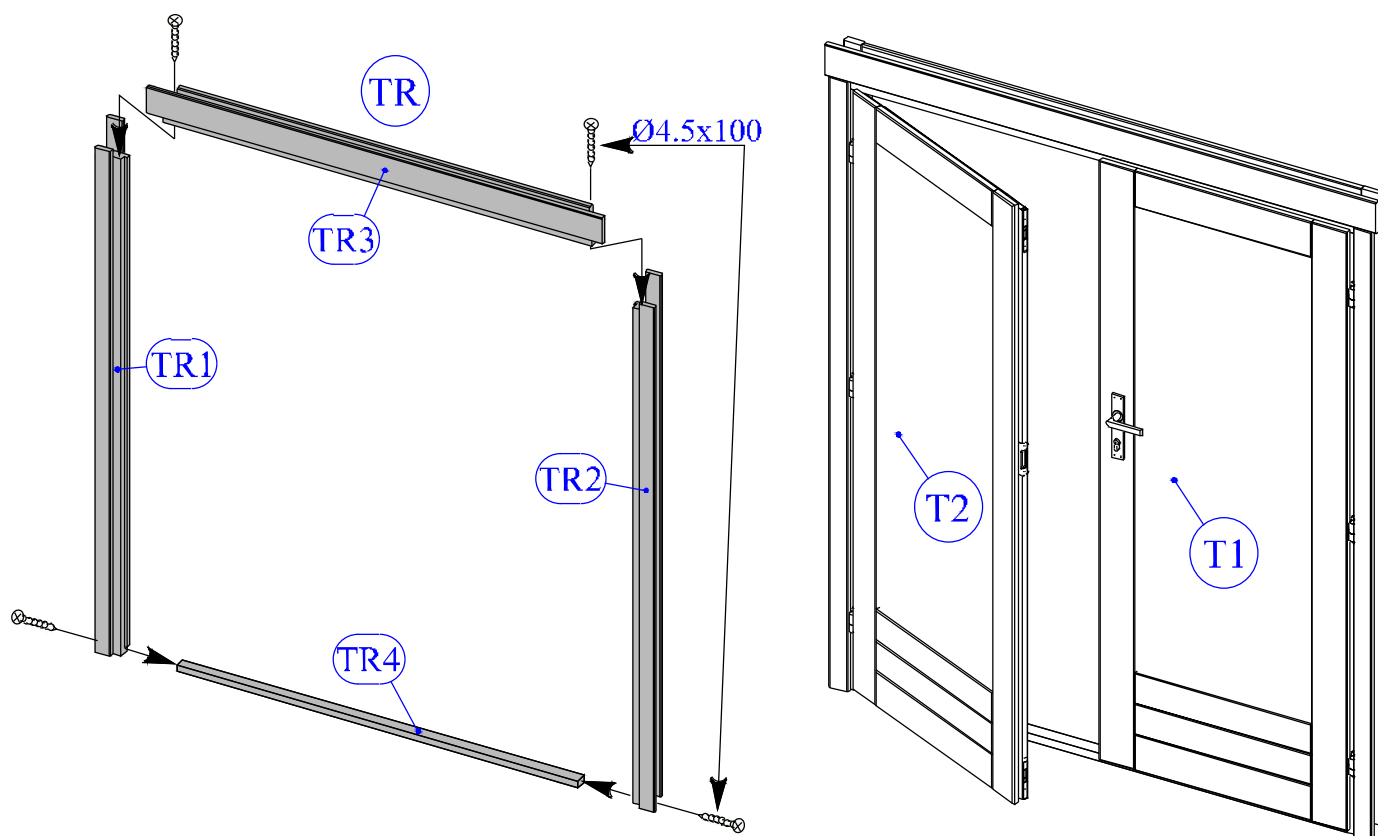


11



→ || ← 40mm

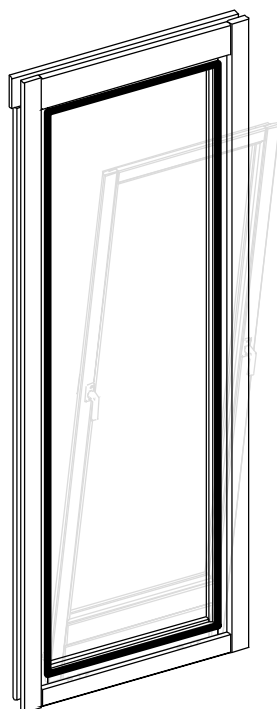
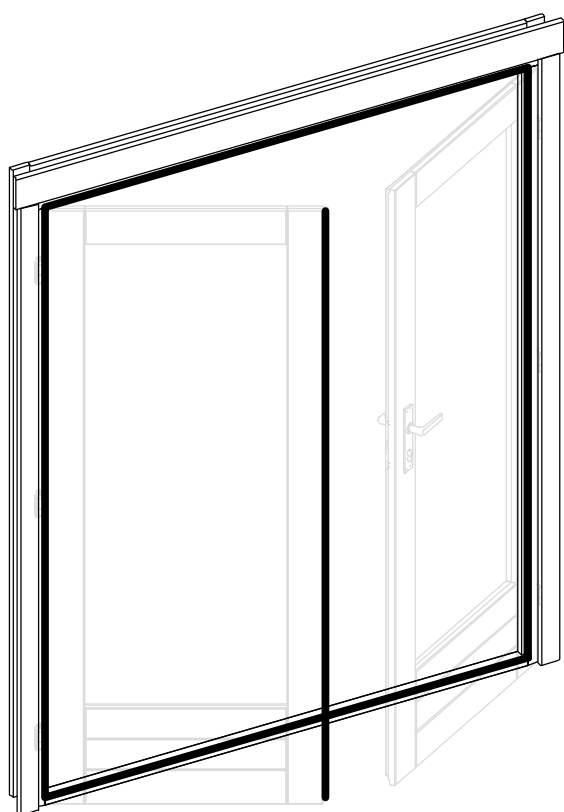
3,9 x 2,98 **40206**



→||←40mm

3,9 x 2,98

**40206**



Dichtgummi  
étanchéité en caoutchouc  
sealing rubber

